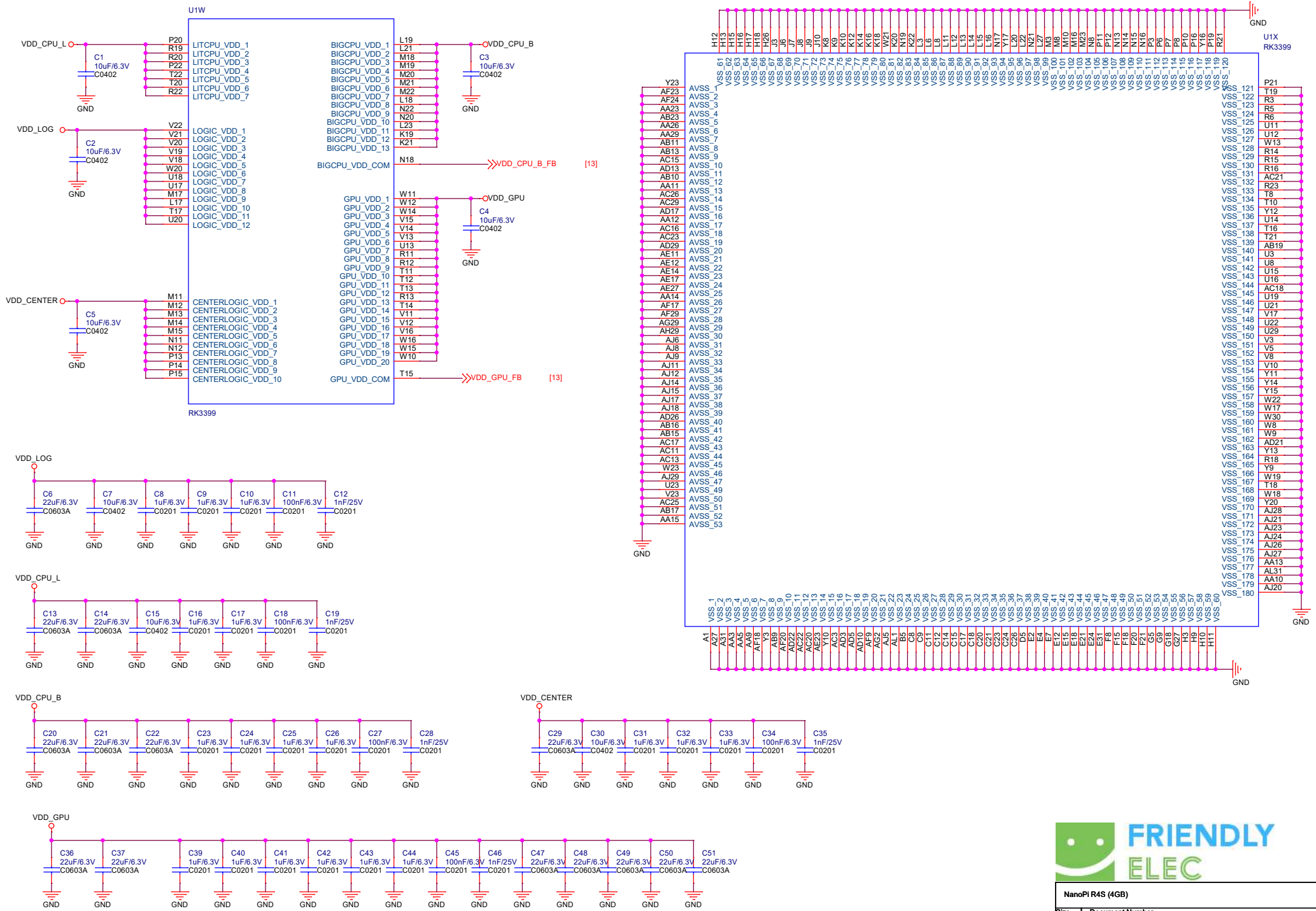


NanoPi R4S (4GB)



NanoPi R4S (4GB)		
Size A3	Document Number 01.Title	Rev 2008
Date:	Wednesday, October 28, 2020	Sheet 1 of 20

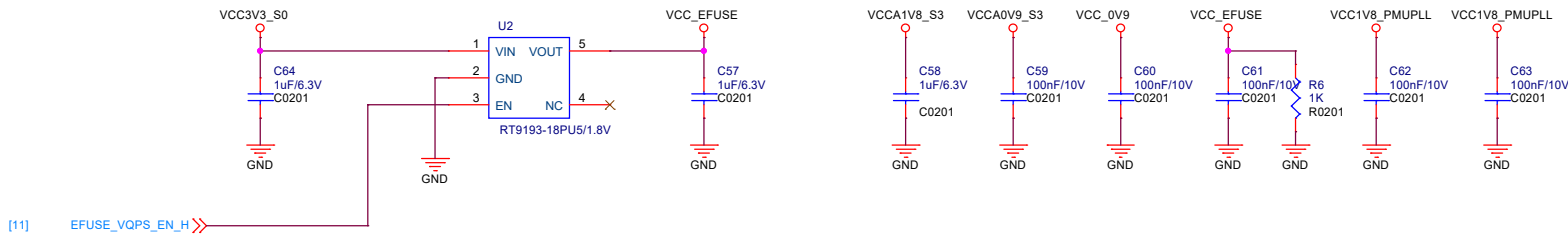
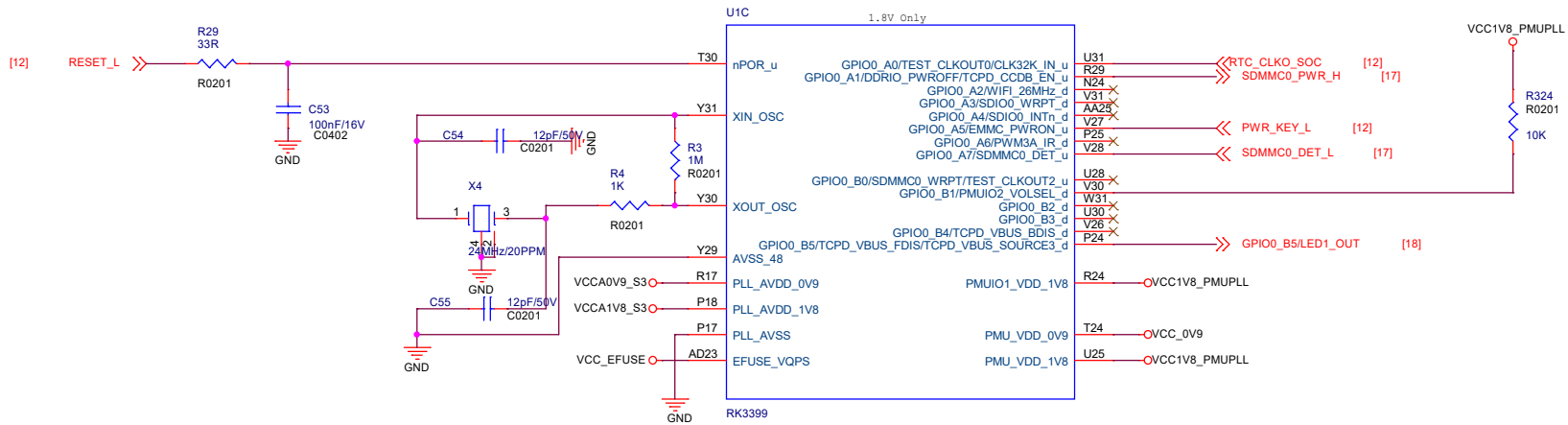


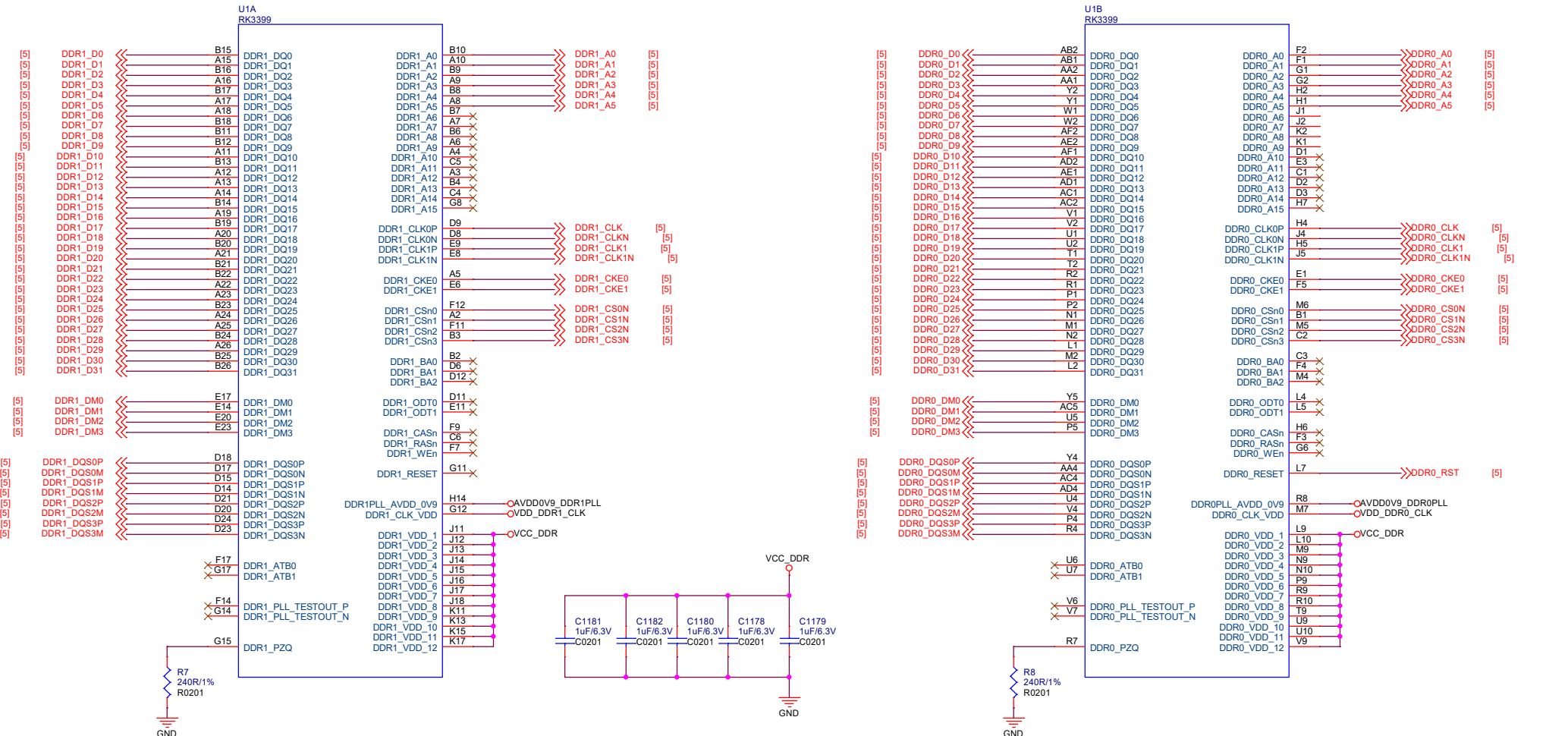
FRIENDLY ELEC

NanoPi R4S (4GB)

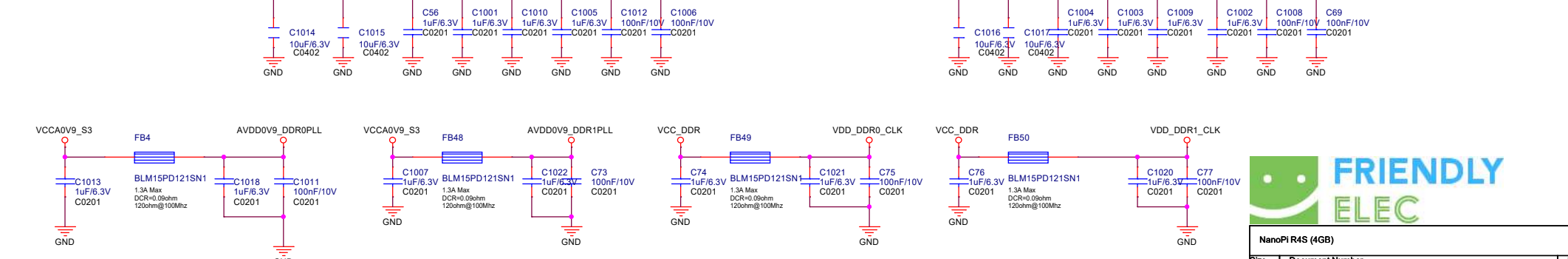
Size A3	Document Number 02_RK3399 Power	Rev 2008
---------	---------------------------------	----------

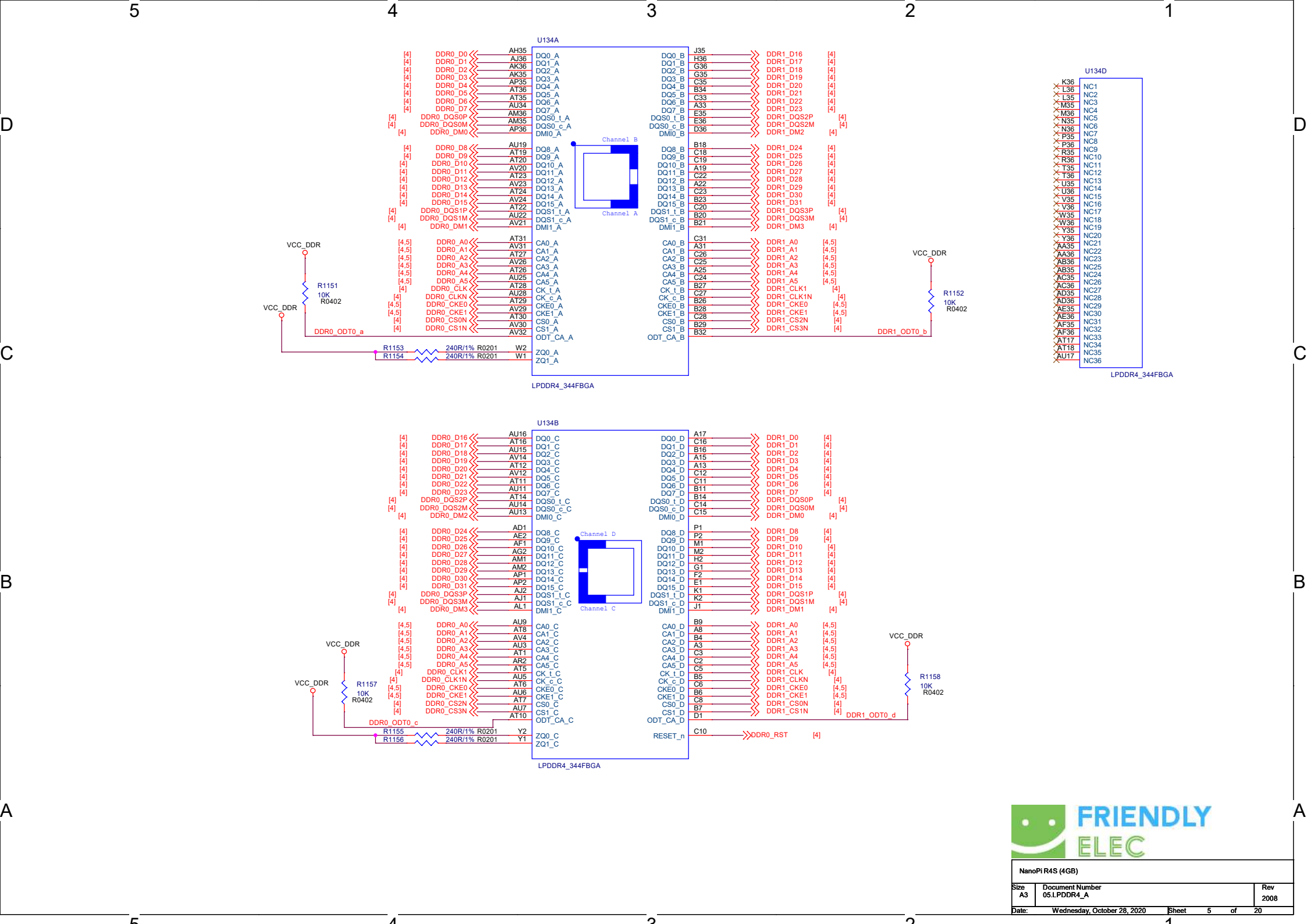
Date: Wednesday, October 28, 2020 Sheet 2 of 20

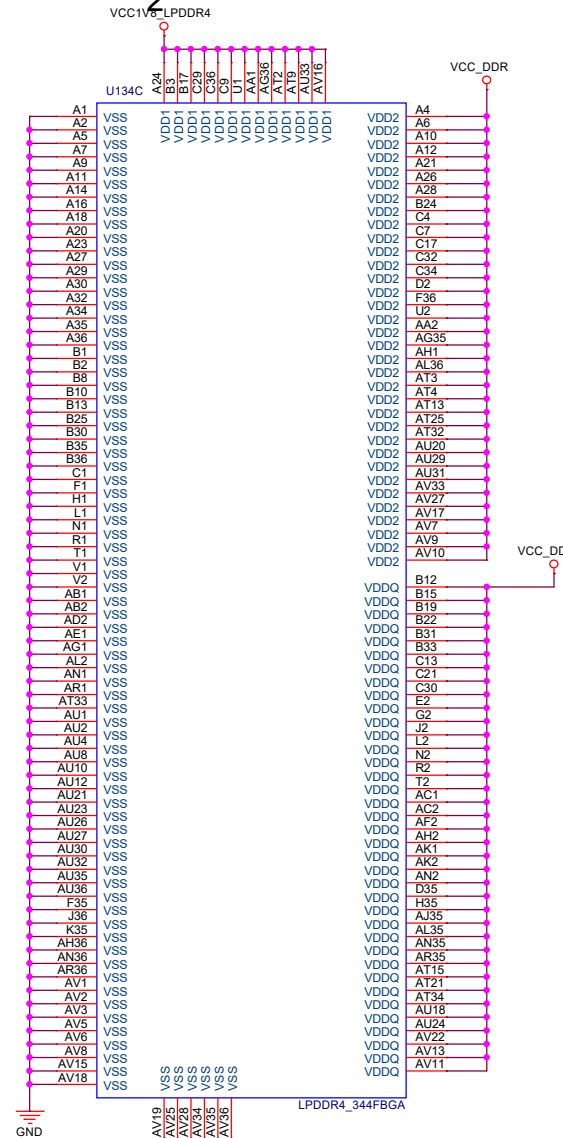
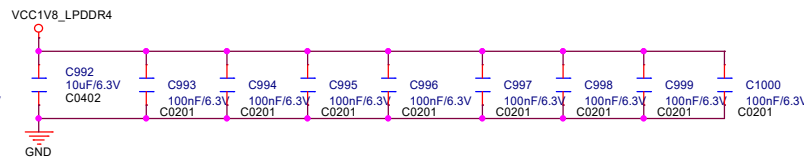
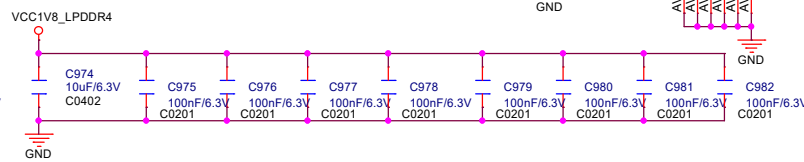
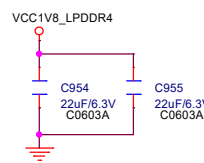
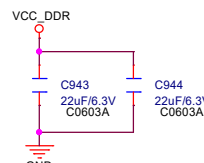
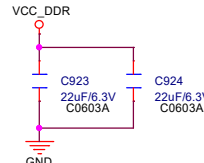
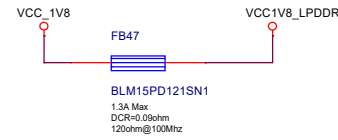
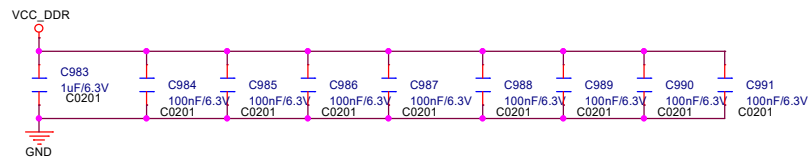
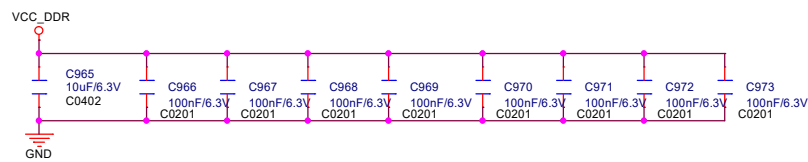
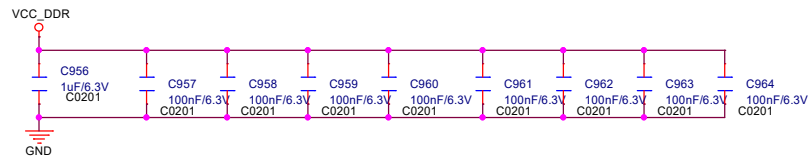
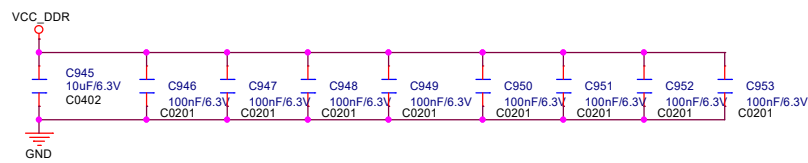
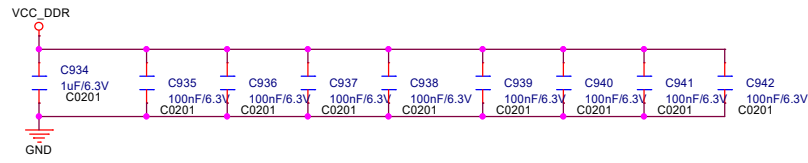
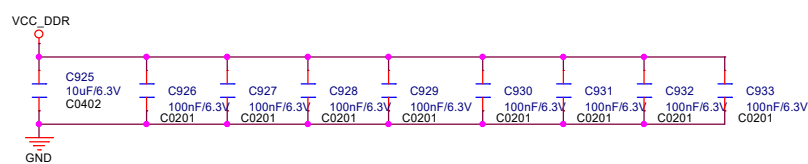
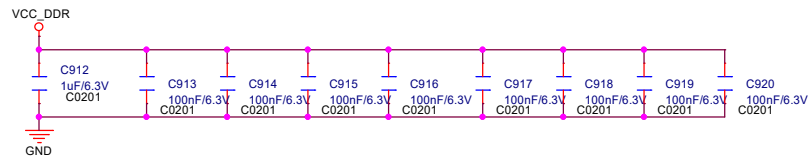
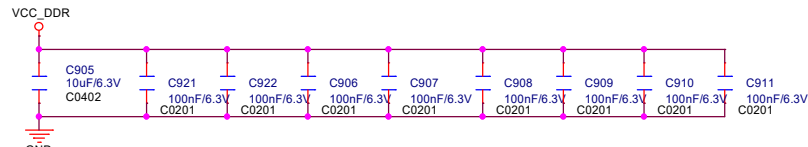




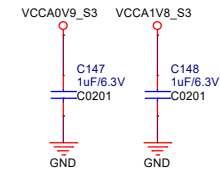
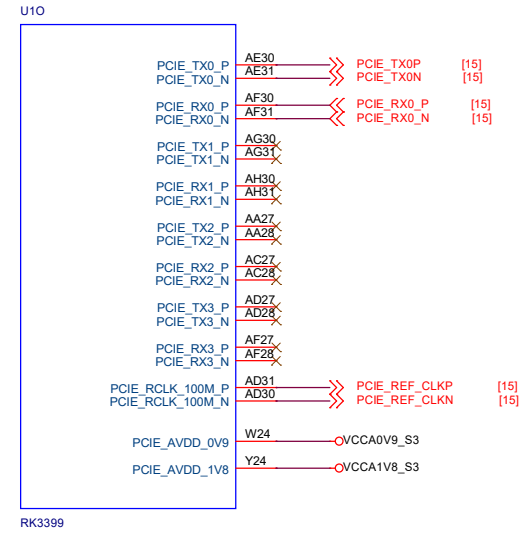
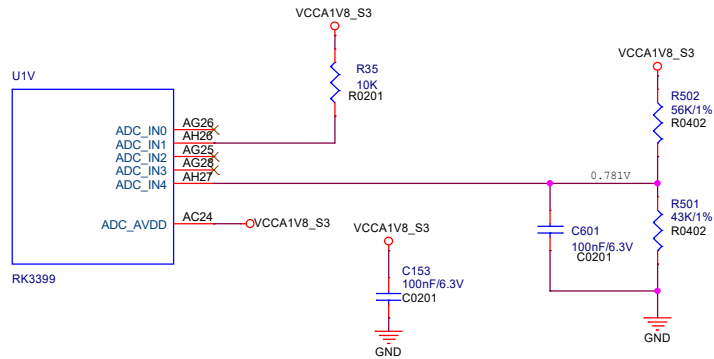
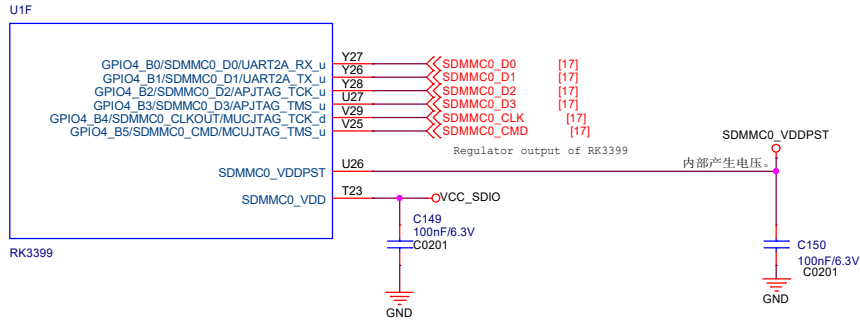
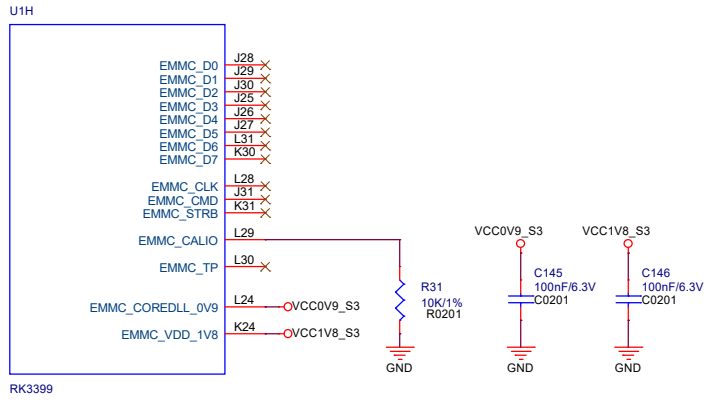
DDR FILTER

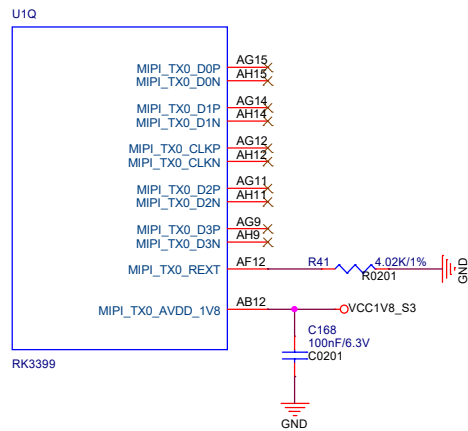
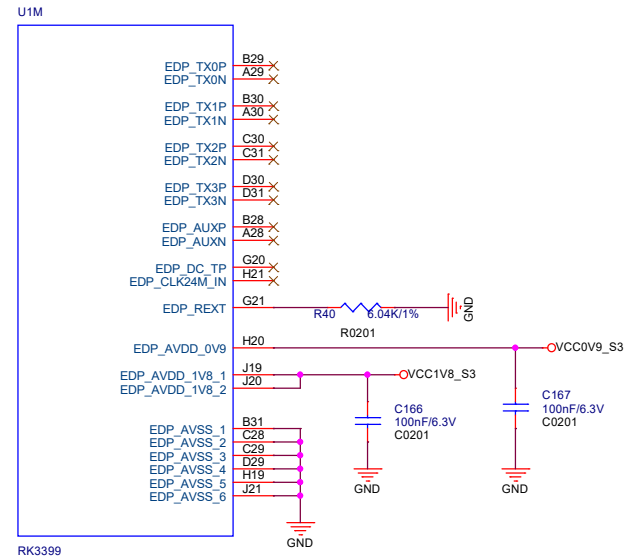
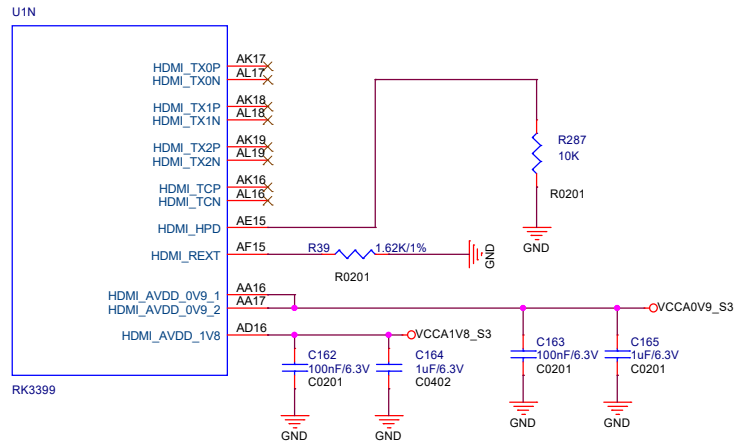


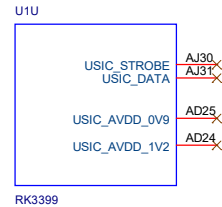
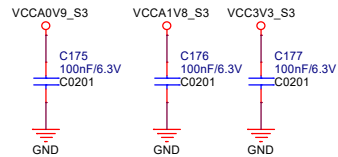
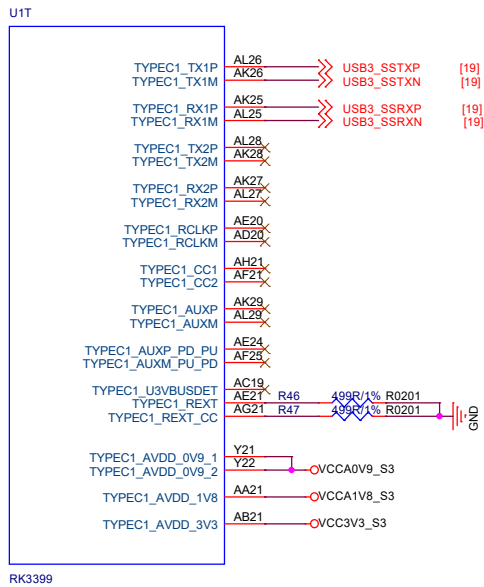
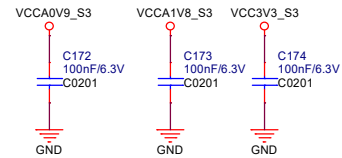
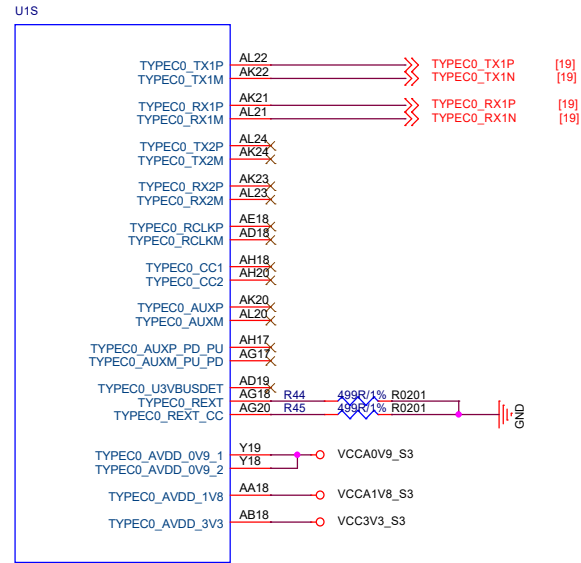
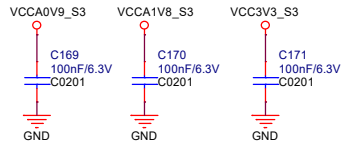
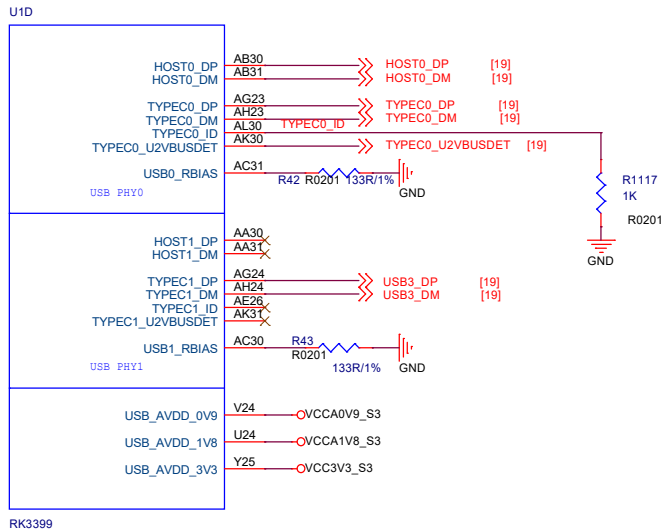


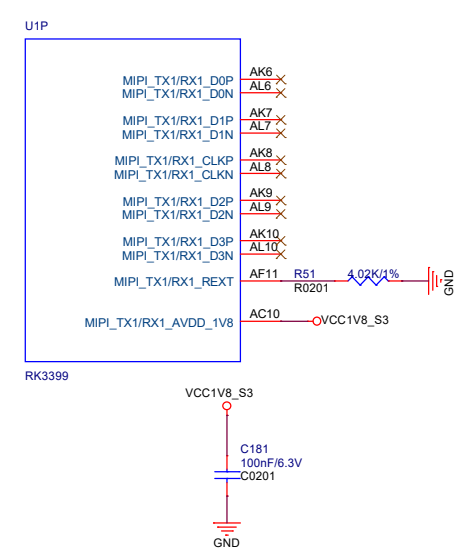
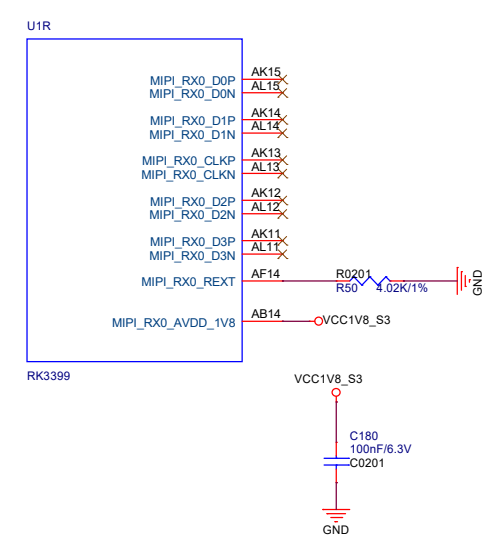
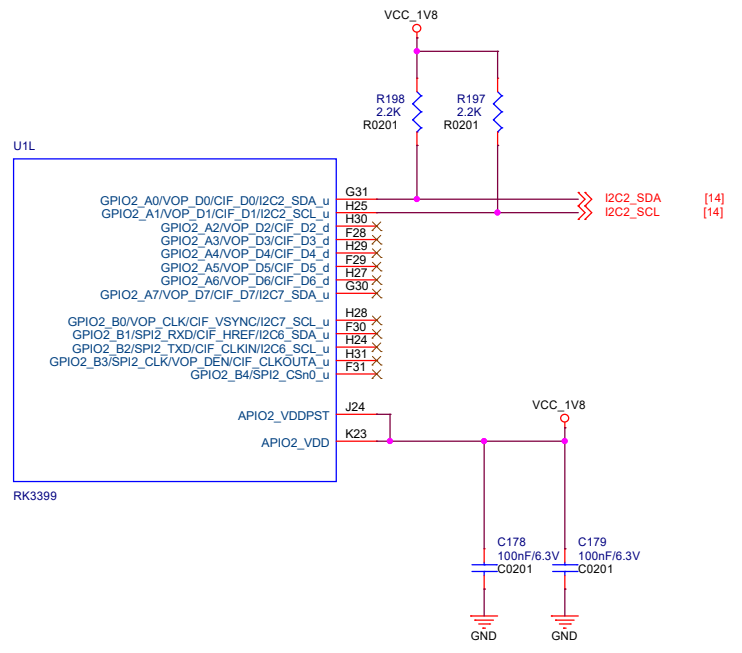


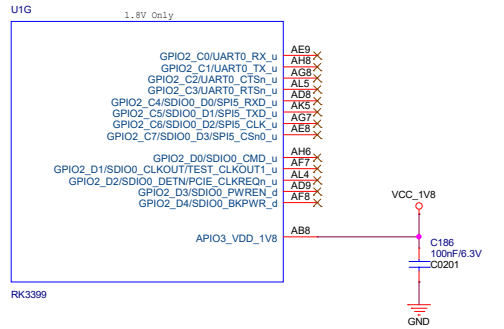
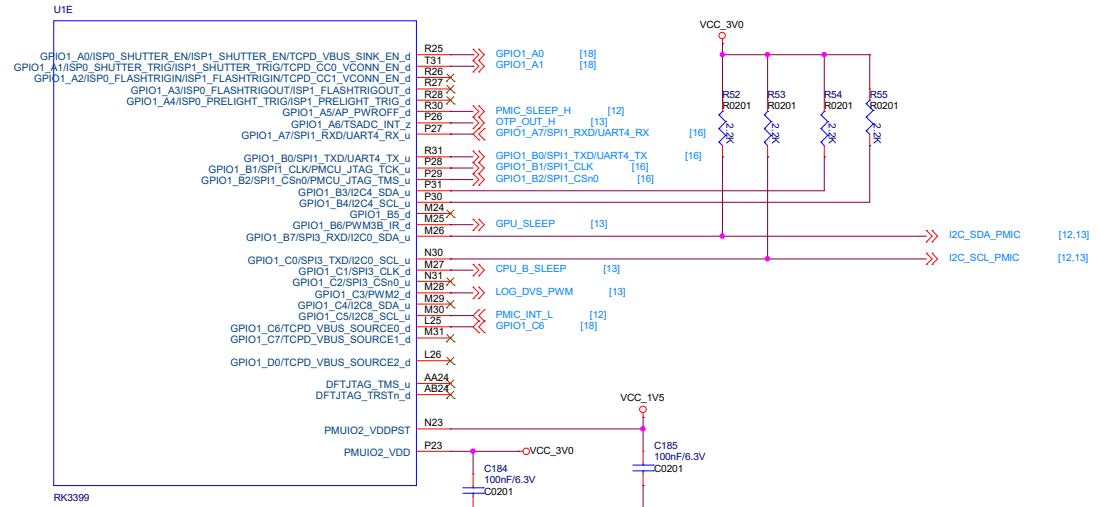
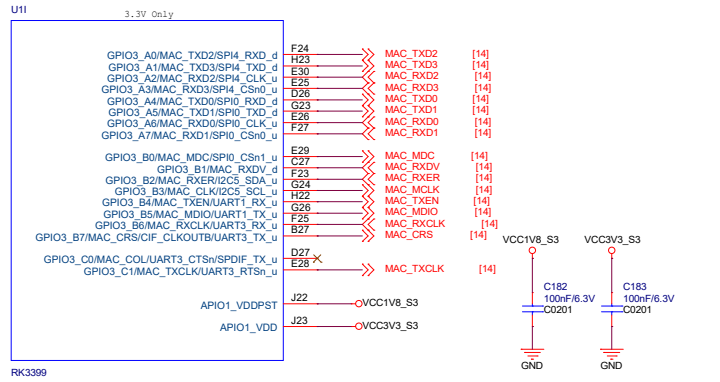
NanoPI R4S (4GB)		
Size	Document Number	
A3	06.LPDDR4_B	
Date:	Wednesday, October 28, 2020	Sheet 6 of 20
		Rev 2008



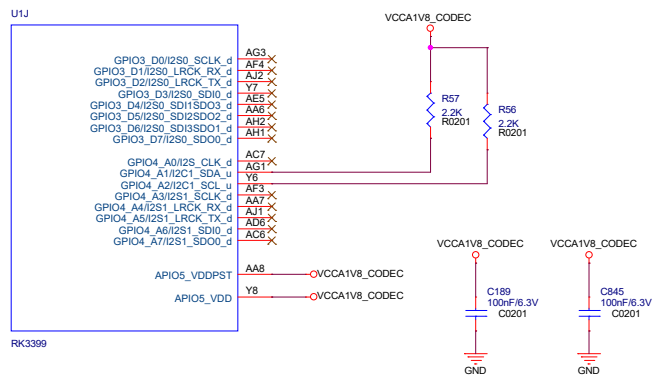
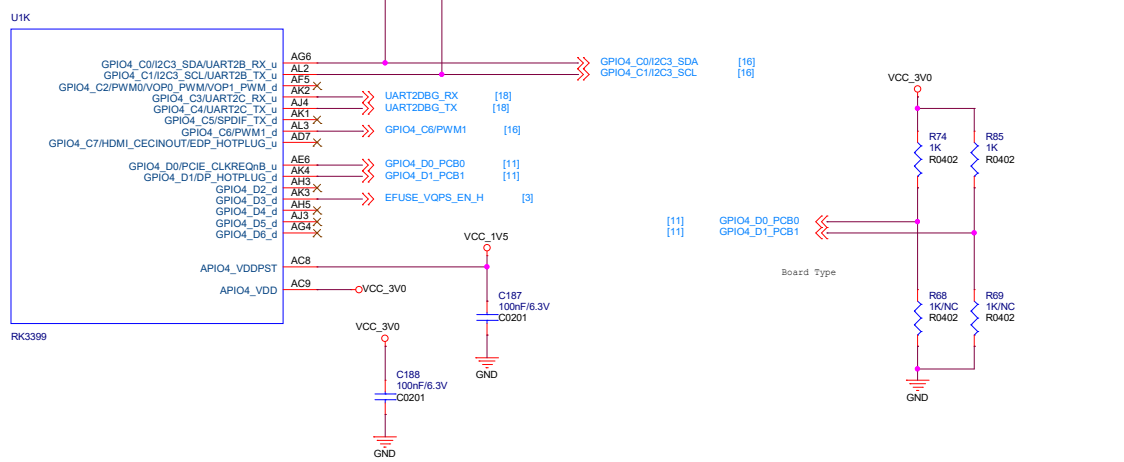


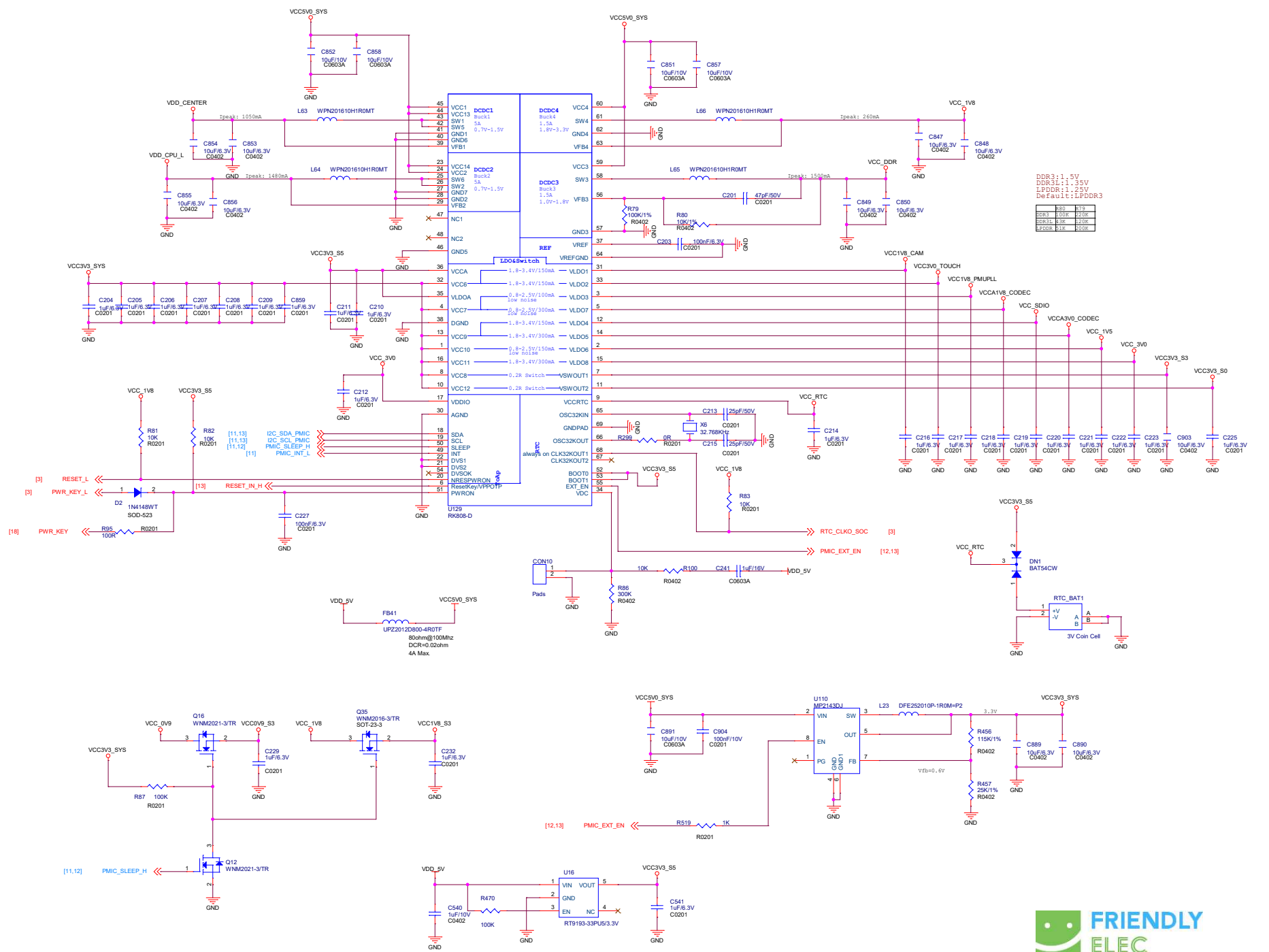






1.8V Only	VDDPST=VDDIO=1.8V
3.3V Only	VDDPST=1.8V, VDDIO=3.3V
other	3.0V mode: VDDPST=1.5V, VDDIO=3.0V 1.8V mode: VDDPST=1.8V, VDDIO=1.8V

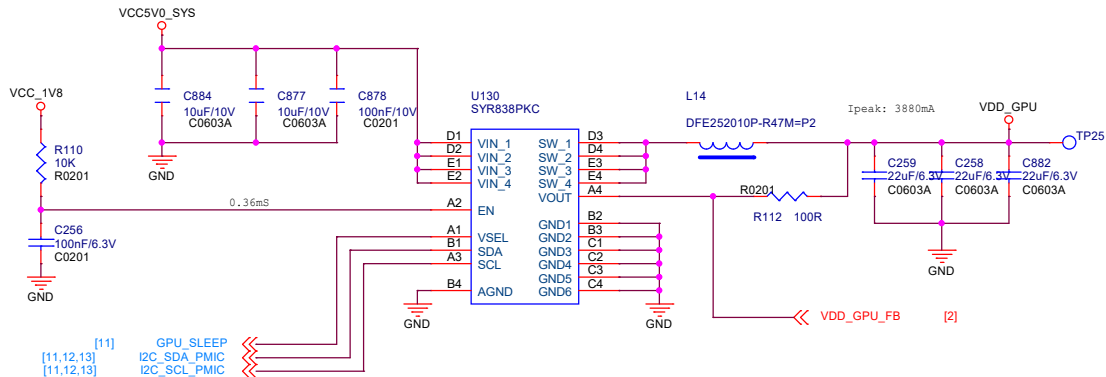




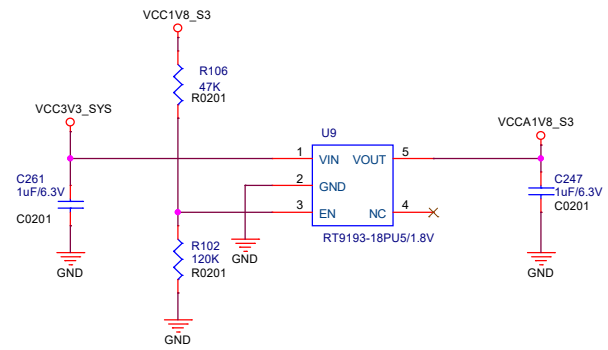
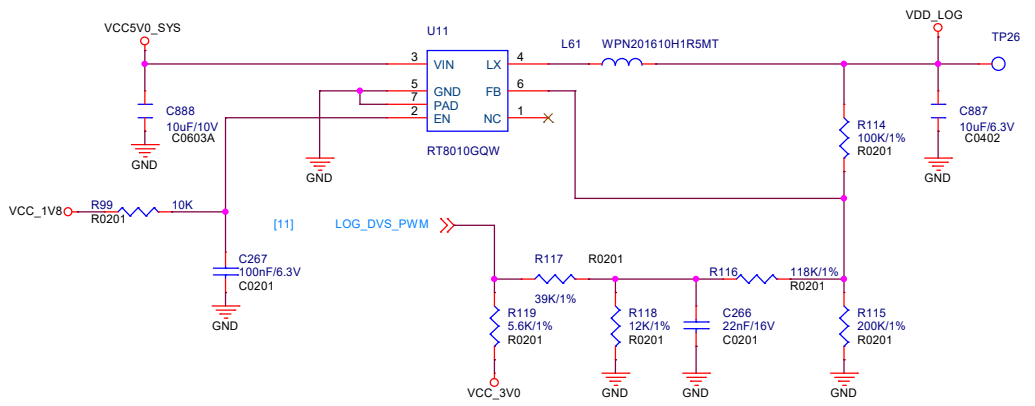
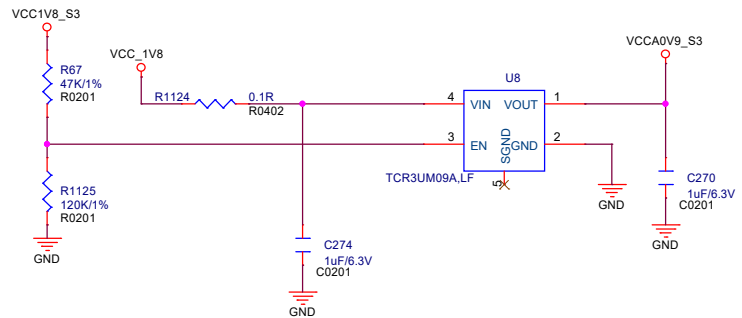
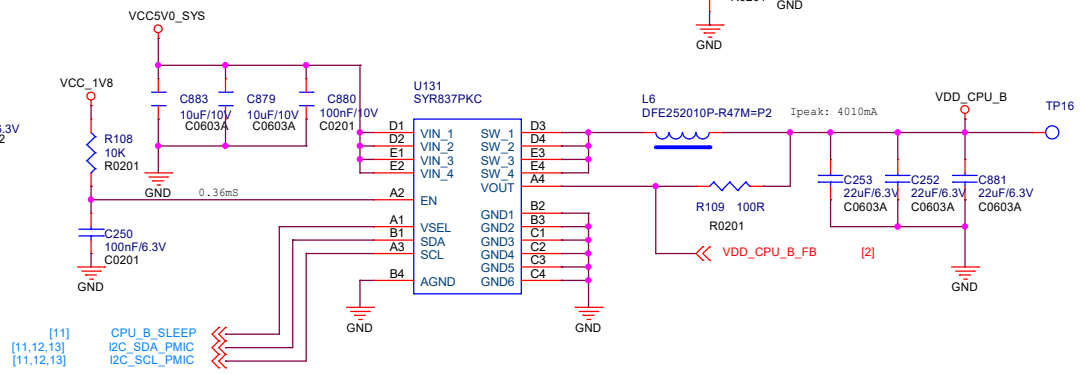
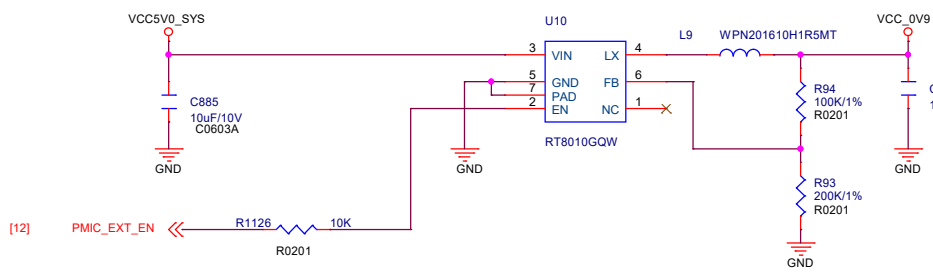
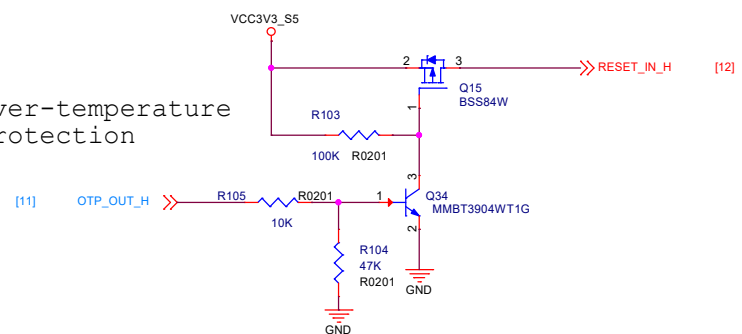
DDR3:1.5V
 DDR3L:1.35V
 LPDDR:1.25V
 Default:LPDDR3

E80	E19
E81	E20
E82	E21
E83	E22
E84	E23



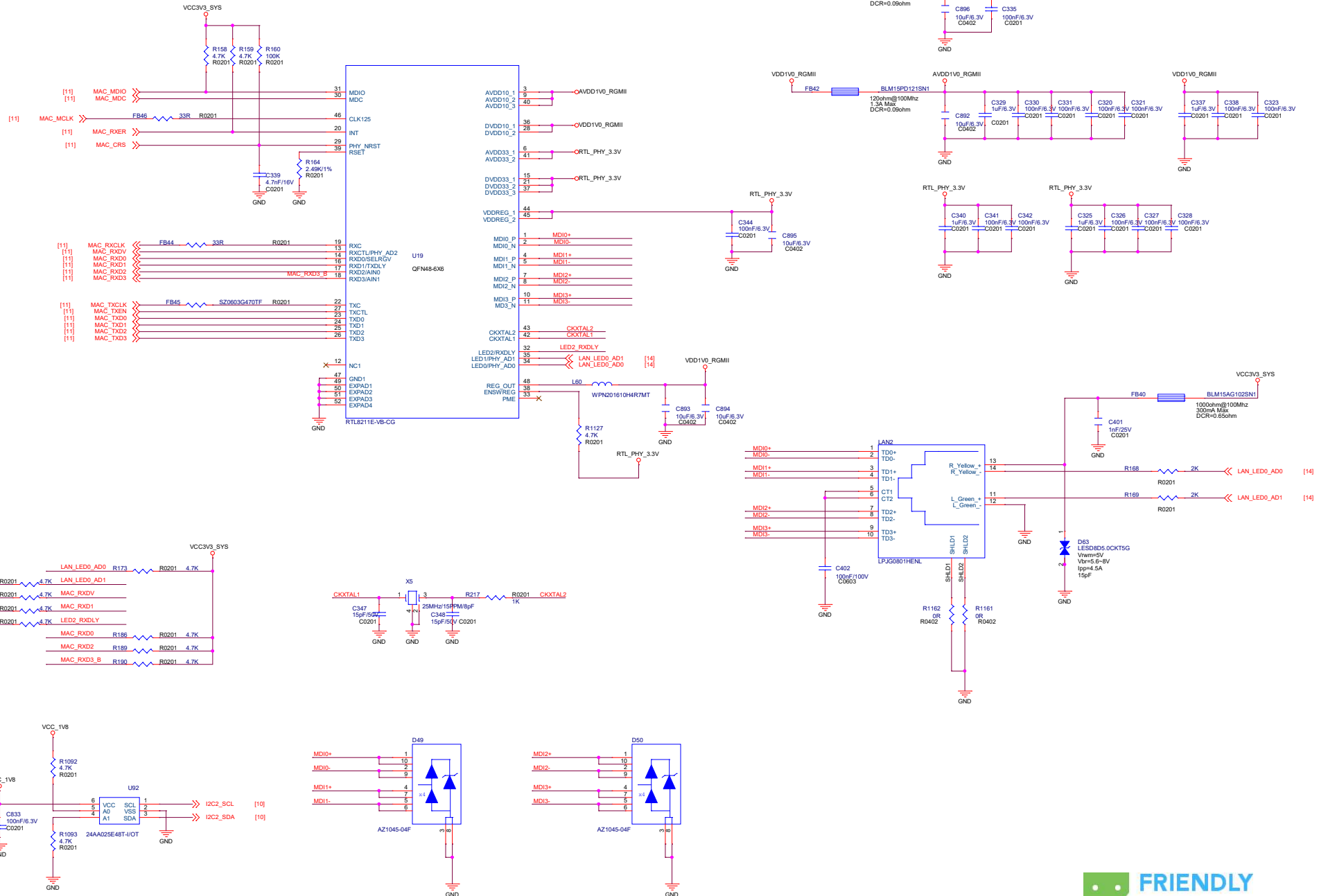


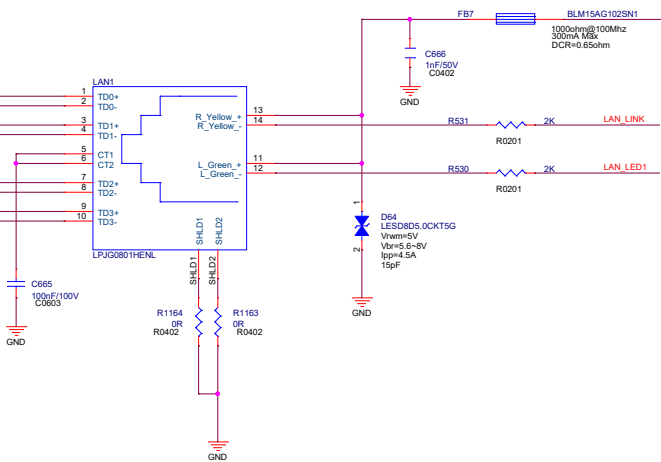
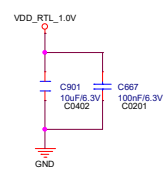
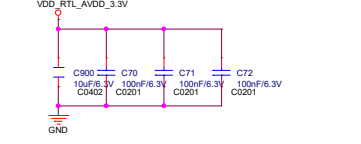
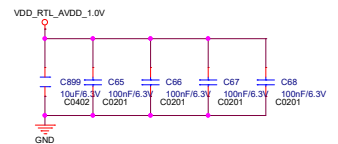
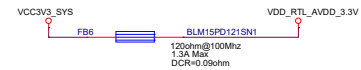
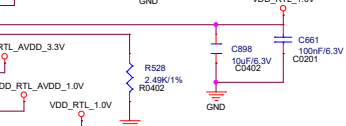
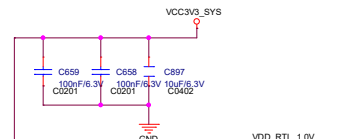
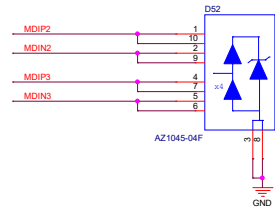
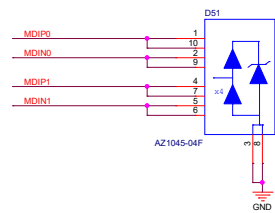
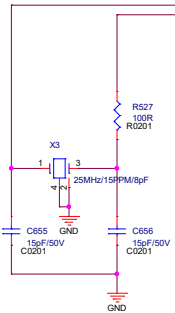
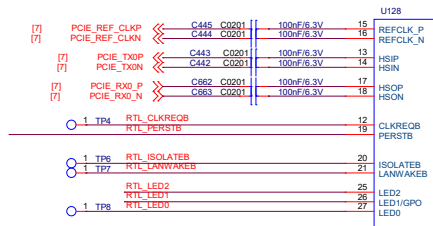
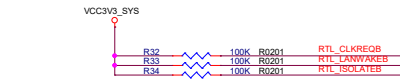
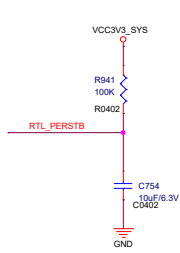
Over-temperature Protection



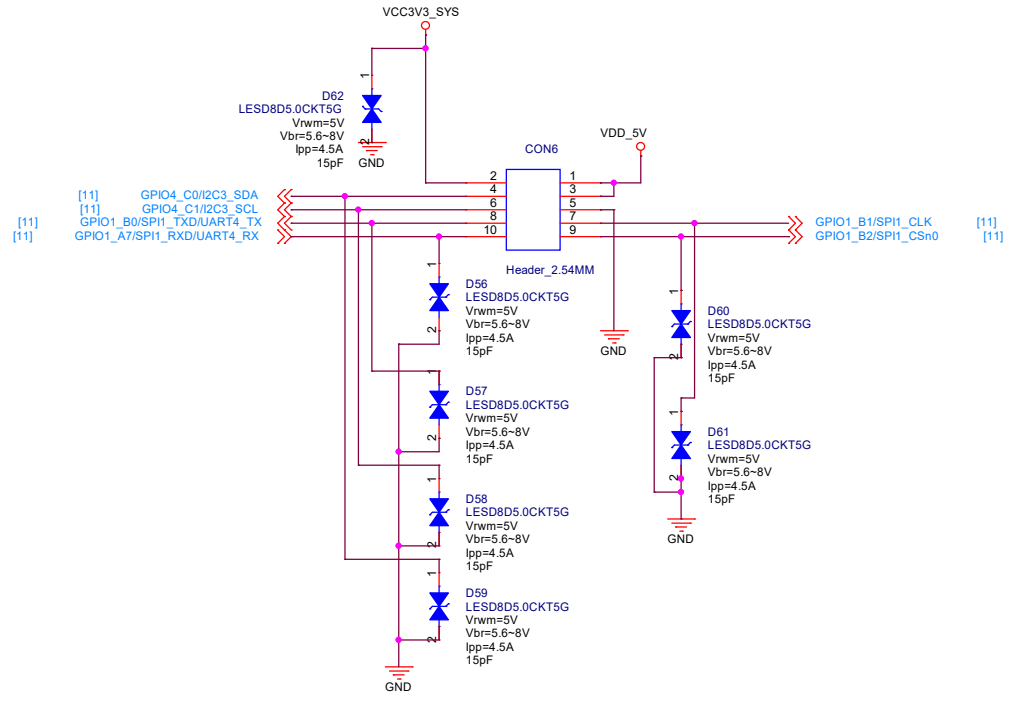
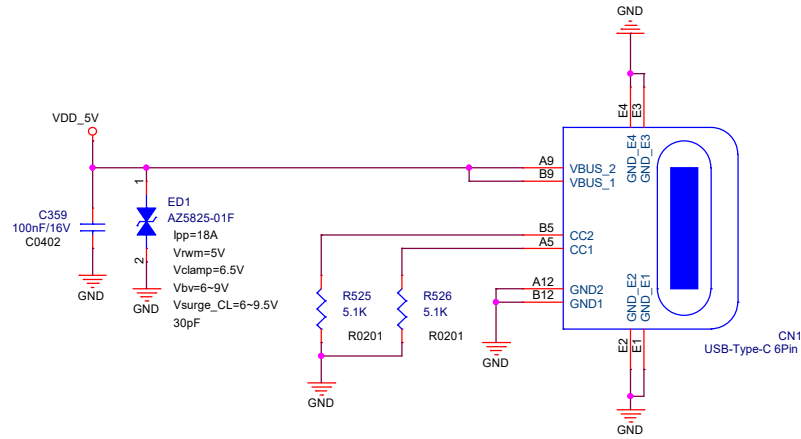
NanoPi R4S (4GB)		
Size	Document Number	Rev
A3	12.Power2-CPU/GPU/etc	2008
Date:	Wednesday, October 28, 2020	Sheet 13 of 20

10/100/1000M Ethernet

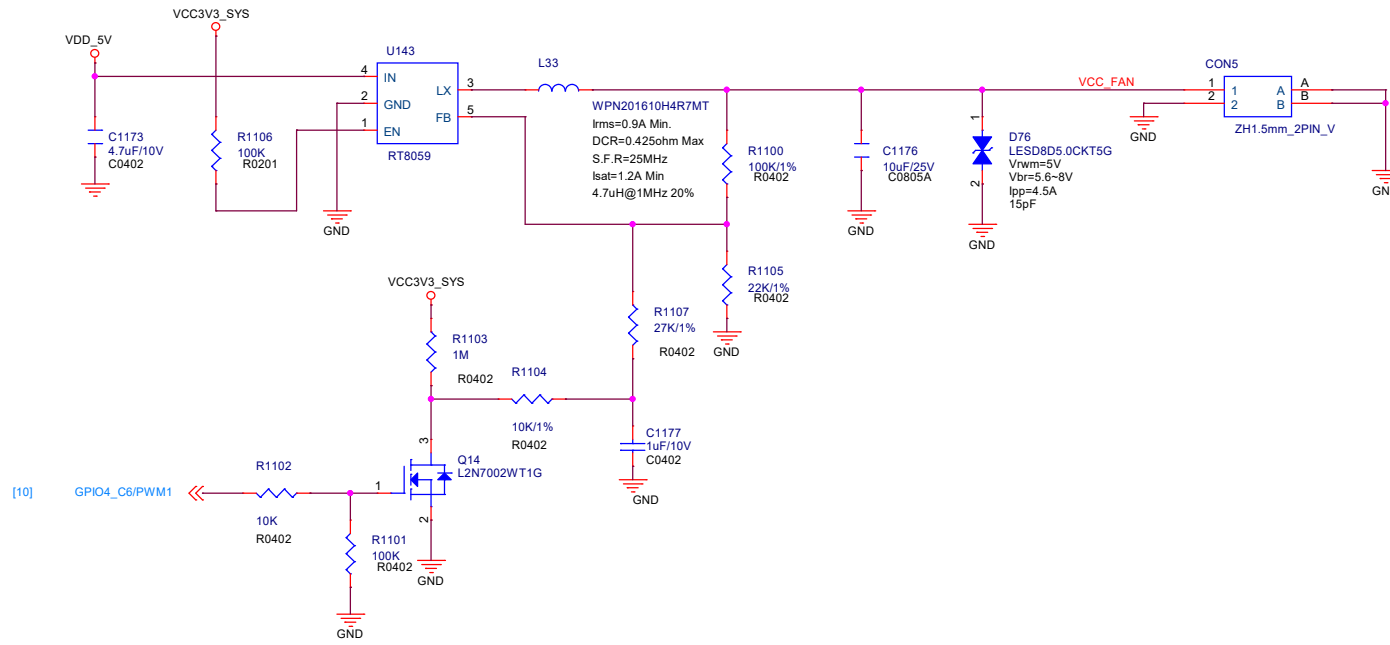




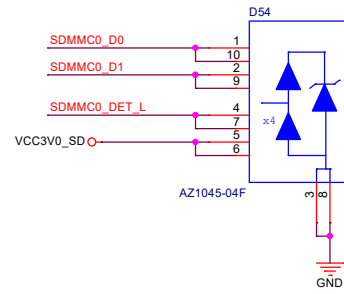
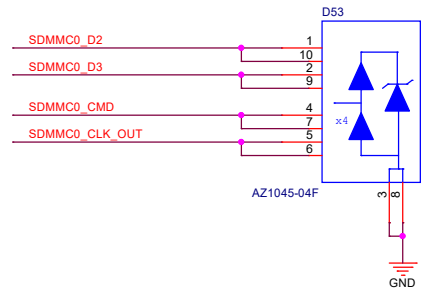
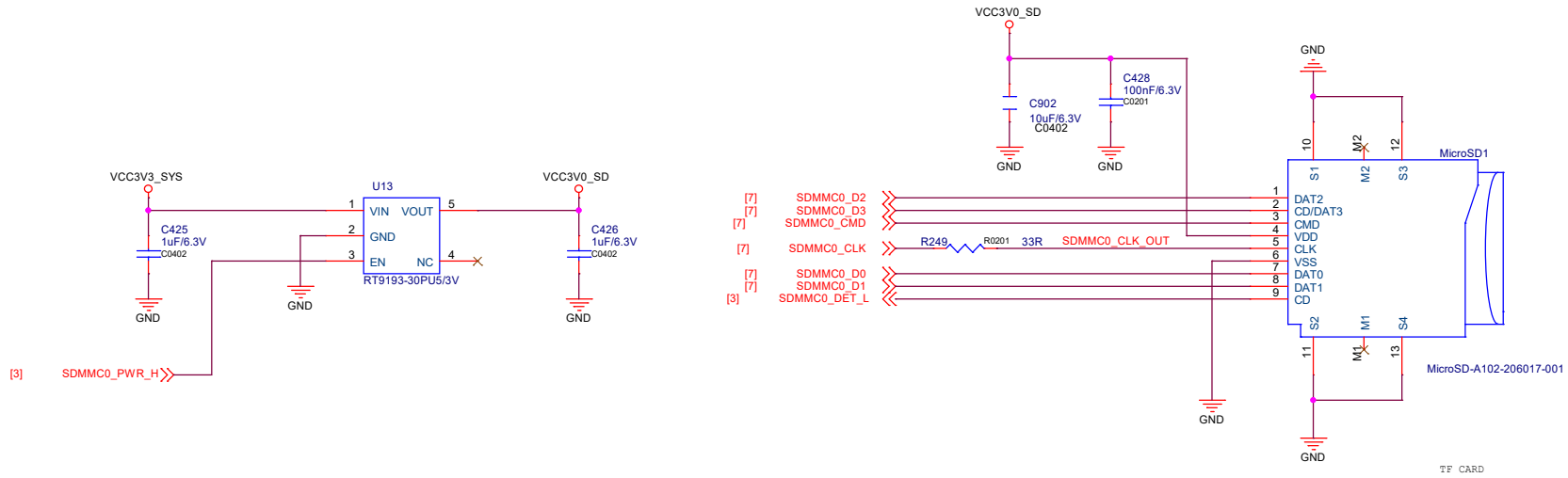
USB Type-C

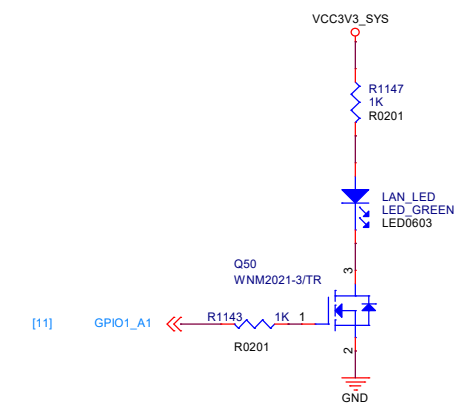
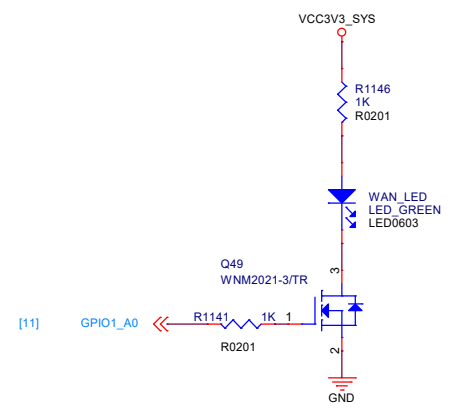
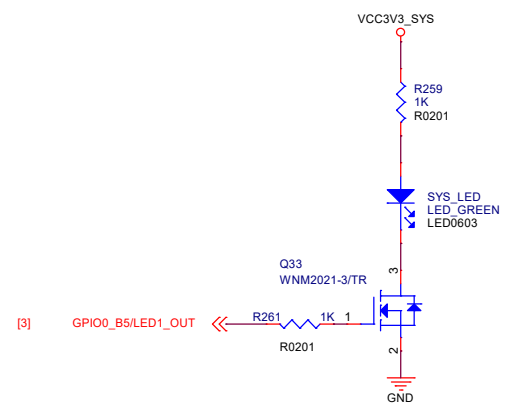
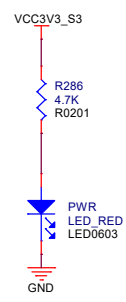
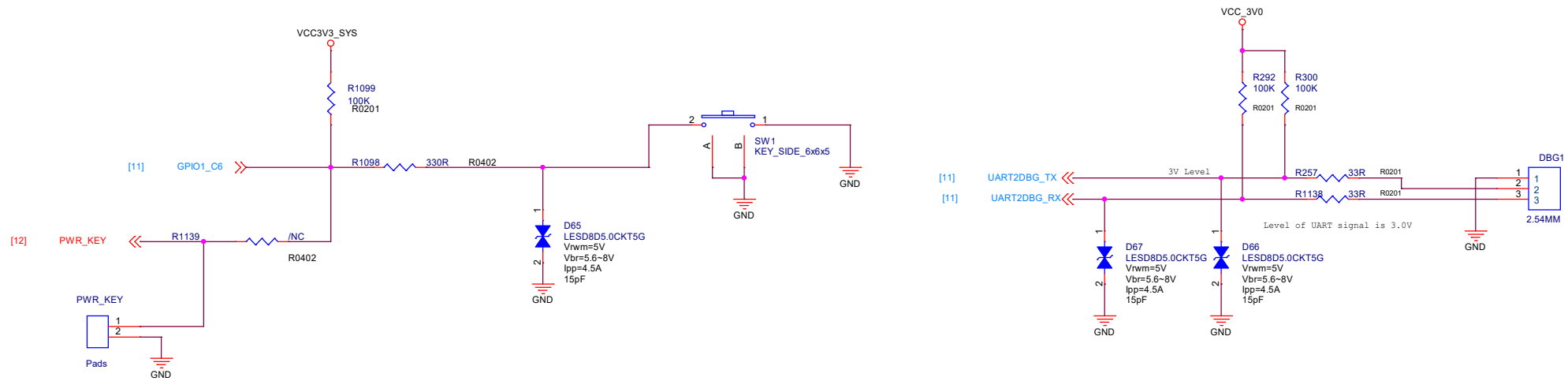


FAN

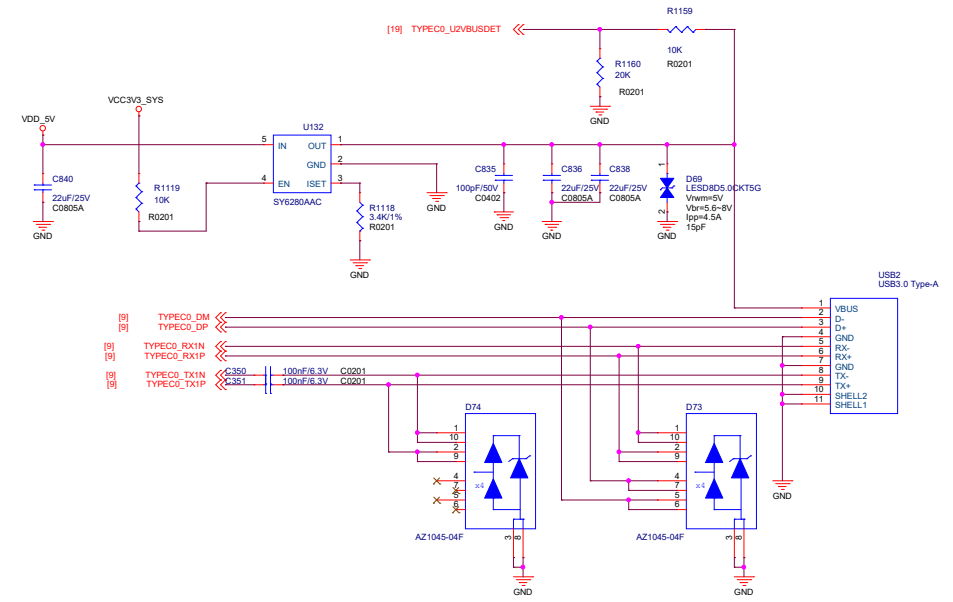
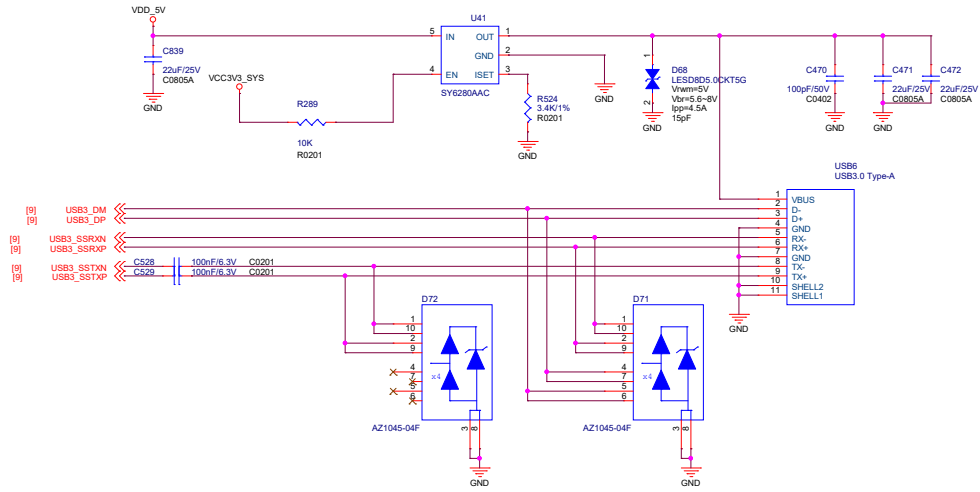


NanoPi R4S (4GB)		
Size A3	Document Number 16.USB Type-C	Rev 2008
Date: Wednesday, October 28, 2020	Sheet 16	of 20

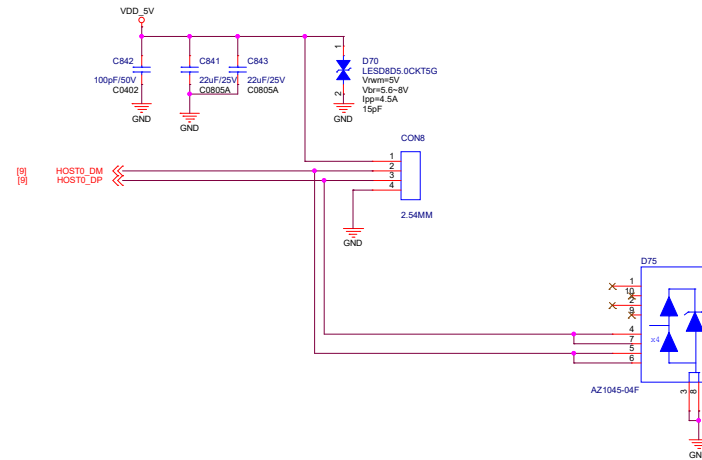




USB3.0 Host



USB2.0 Host



5

4

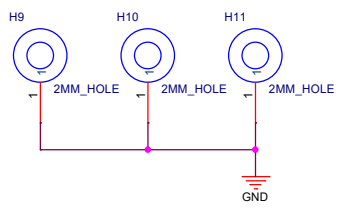
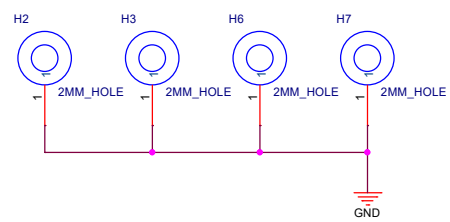
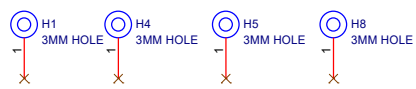
3

2

1

D

D



C

C

B

B

A

A



NanoPI R4S (4GB)		
Size A3	Document Number 20.Holes	Rev 2008
Date:	Wednesday, October 28, 2020	Sheet 20 of 20

5

4

3

2

1