

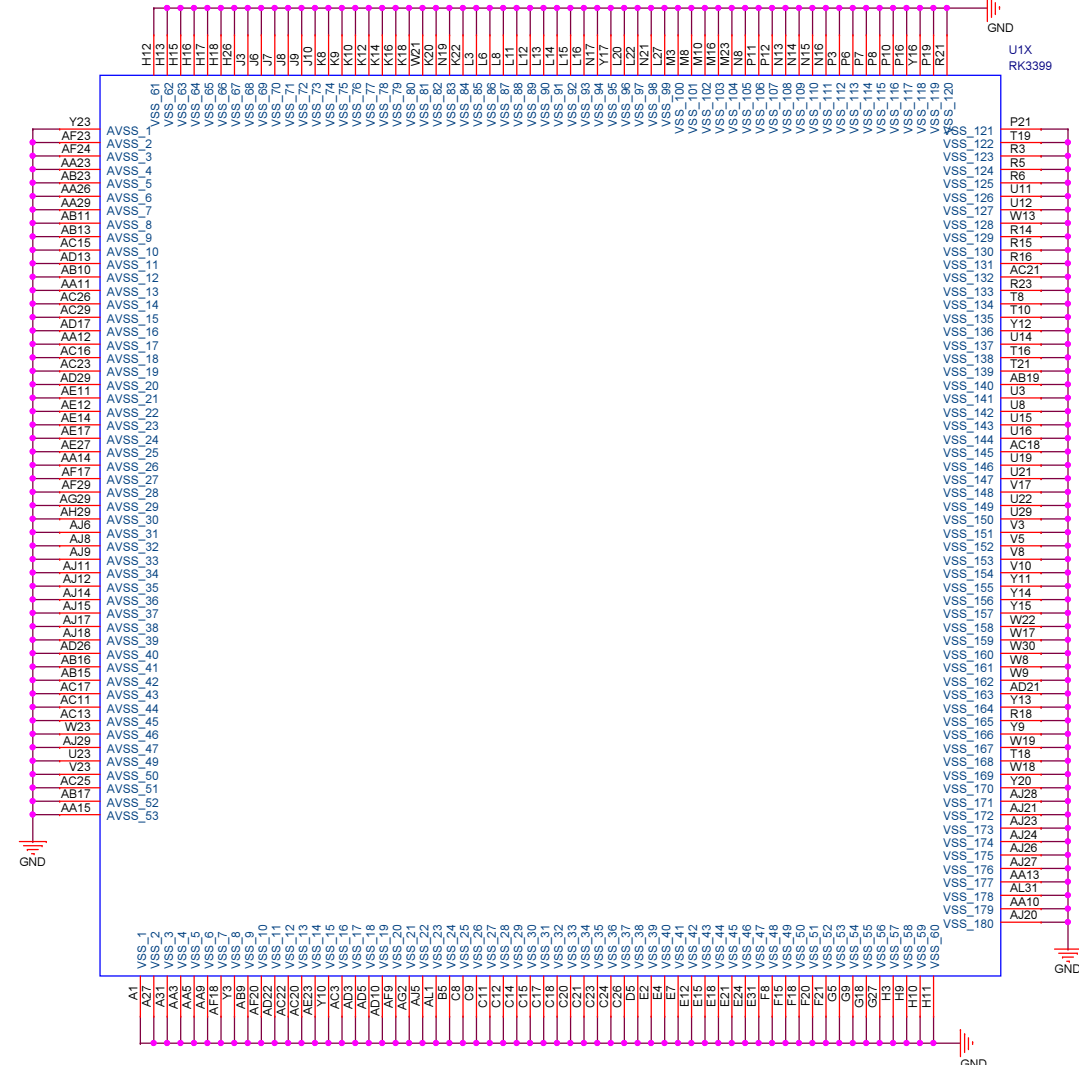
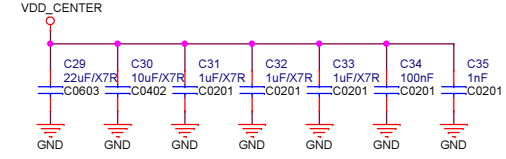
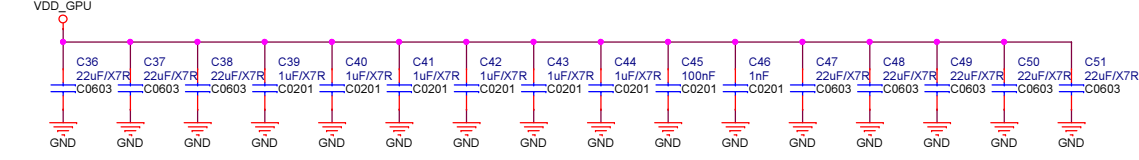
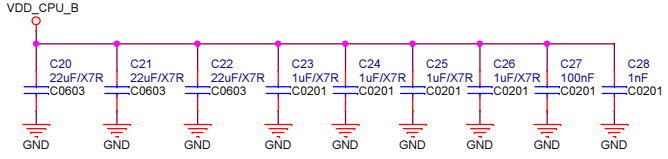
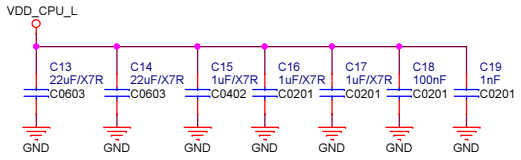
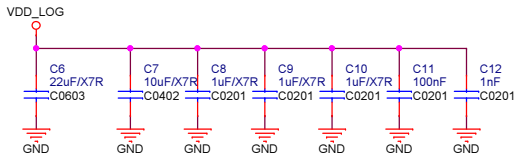
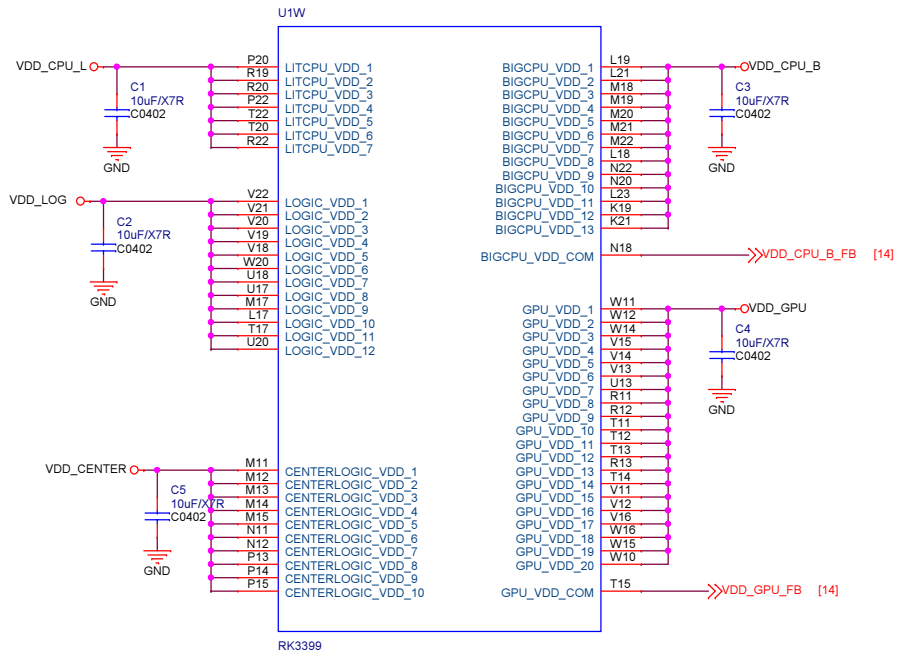
NanoPi M4

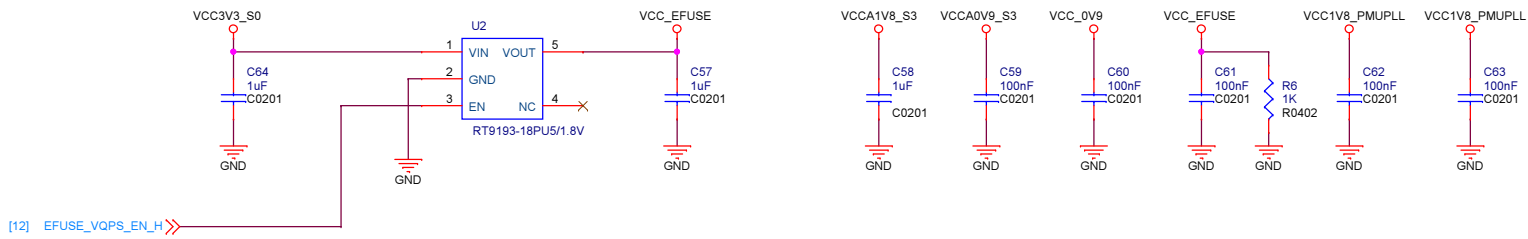
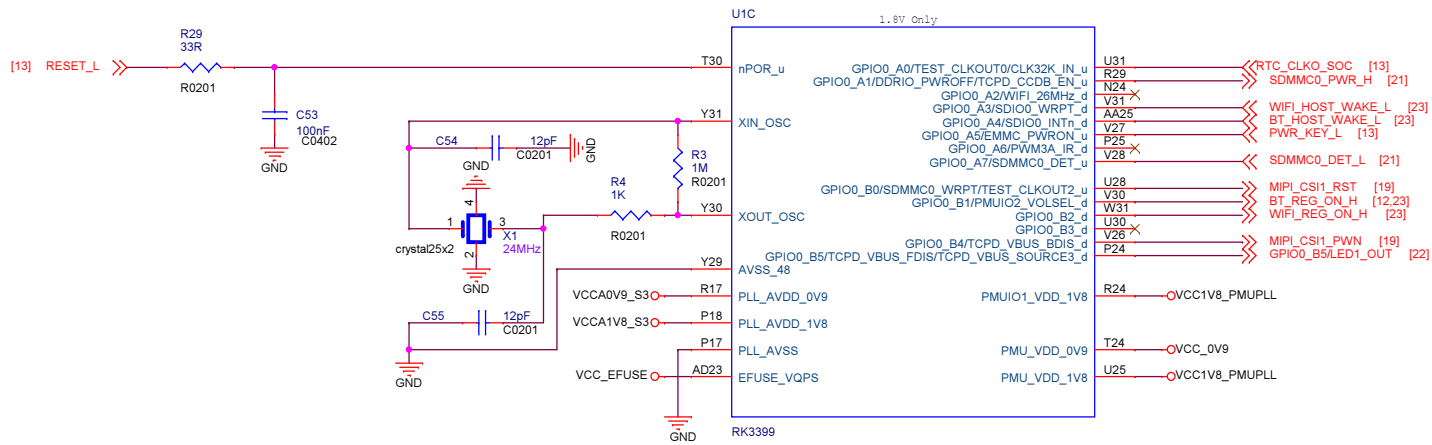
Revision 1807

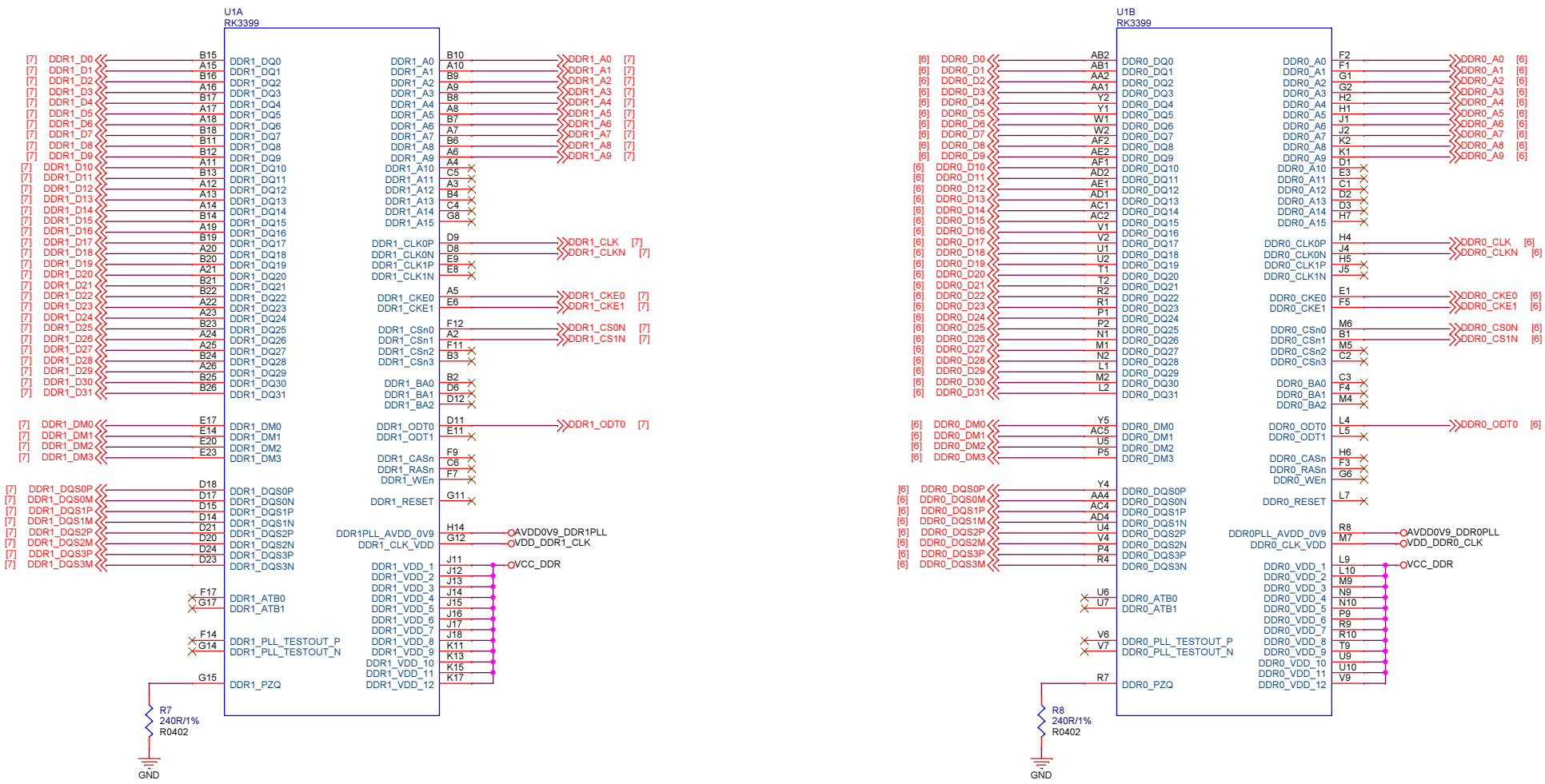
I2C device list :
I2C0 (3V), SYR838PKC, SYR837, RK808-D
I2C1 (1.8V) CSI0, ALC5651,
I2C2 (1.8V) CSI1, M.2
I2C3 (3V)
I2C4 (1.8V), Type-C FUSB302MPX
I2C5
I2C6
I2C7 (1.8V) HDMI
I2C8



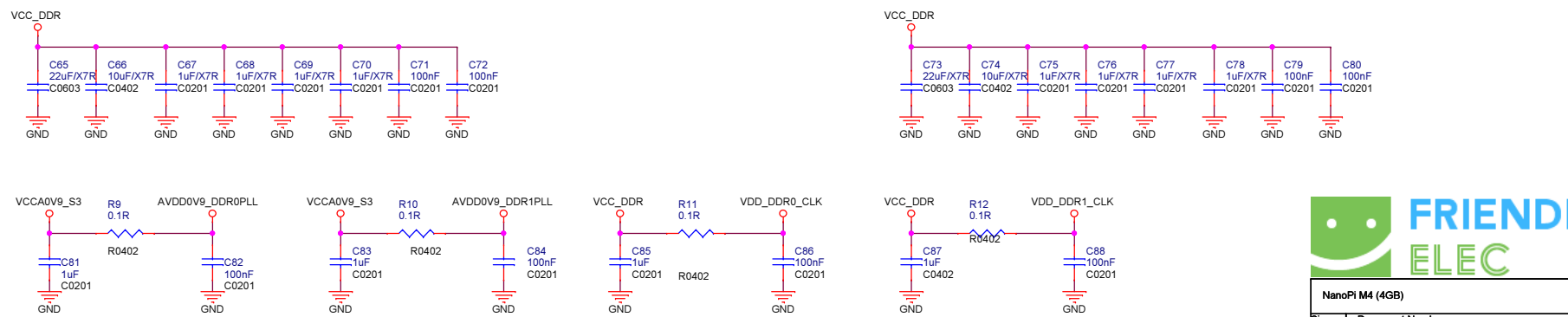
NanoPi M4 (4GB)		
Size A3	Document Number 01.Title	Rev 1807
Date: Tuesday, August 21, 2018	Sheet 1	of 25



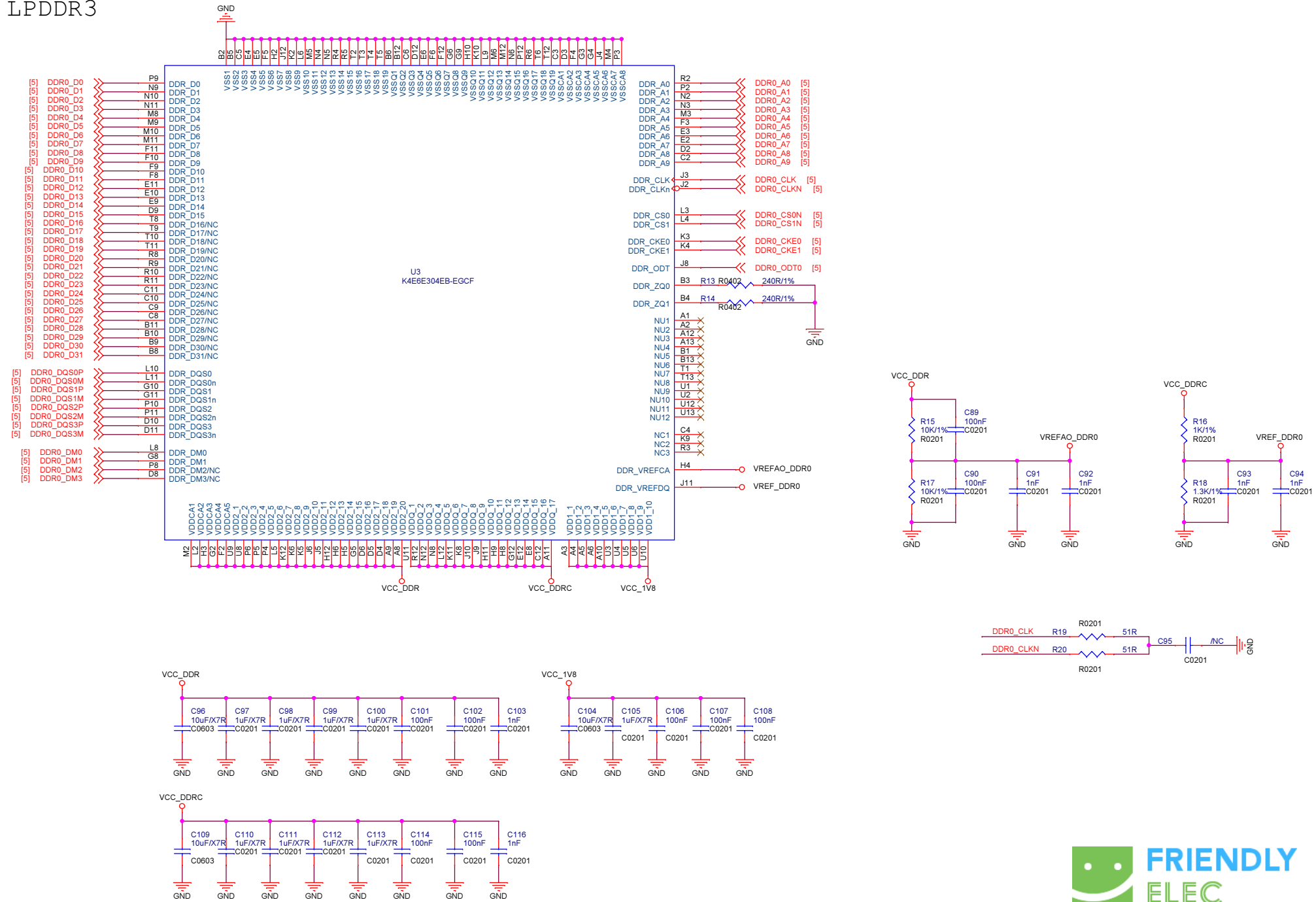




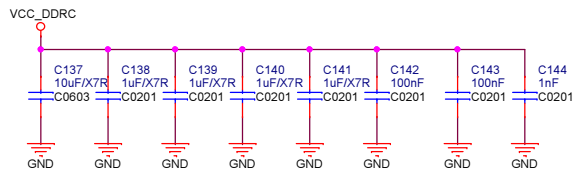
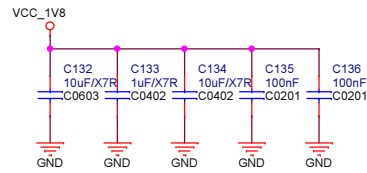
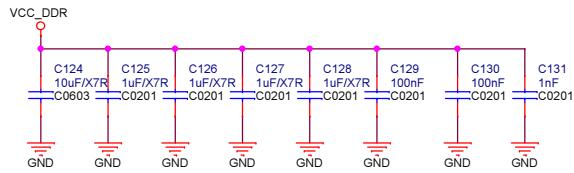
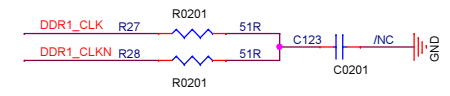
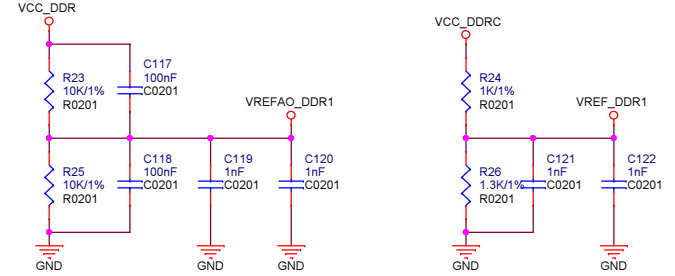
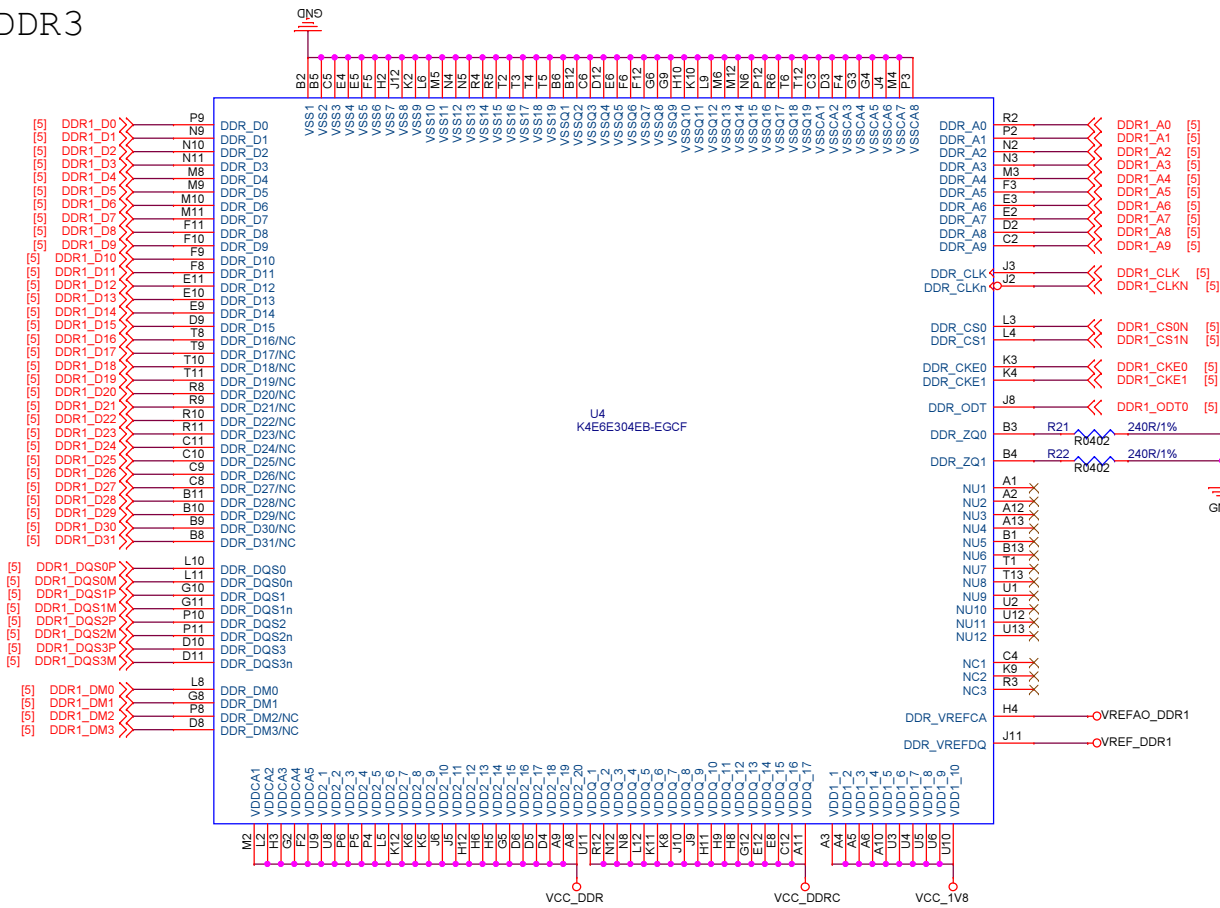
DDR FILTER

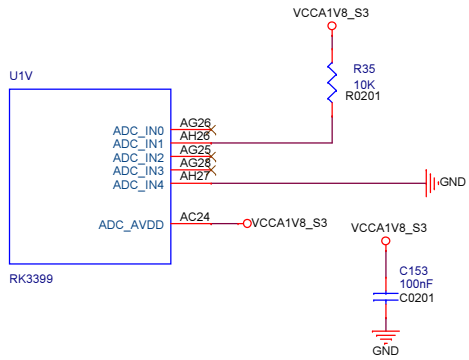
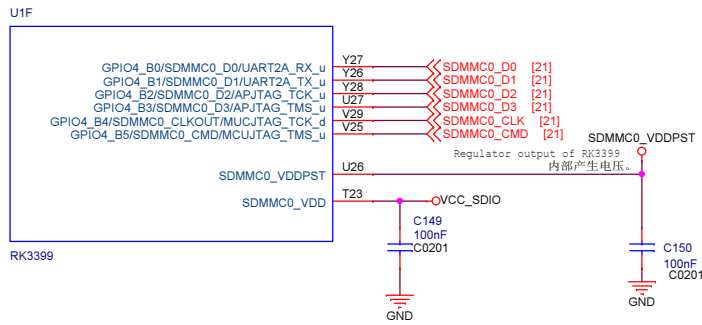
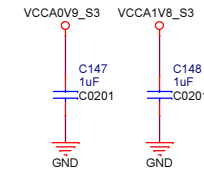
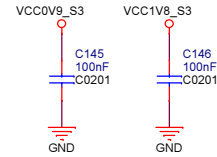
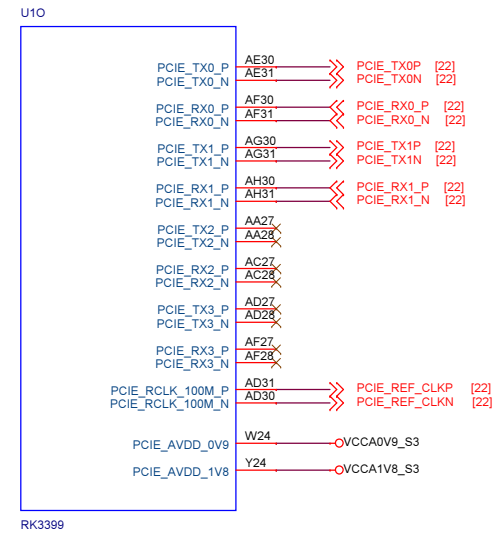
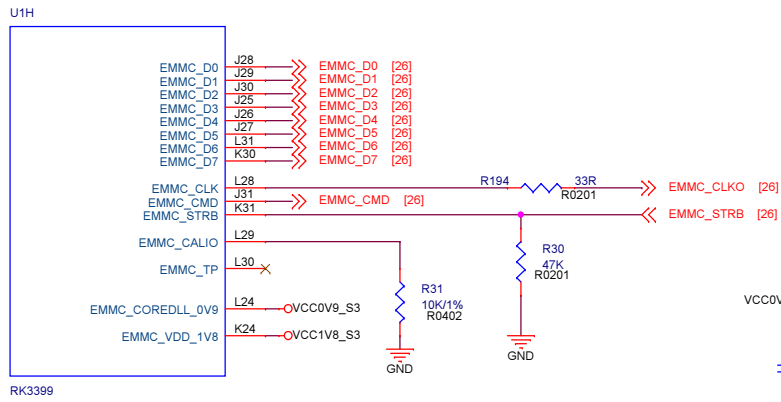


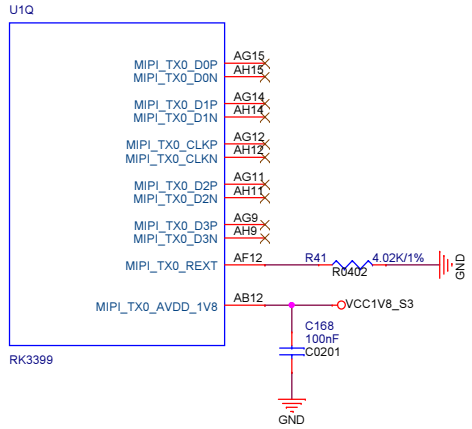
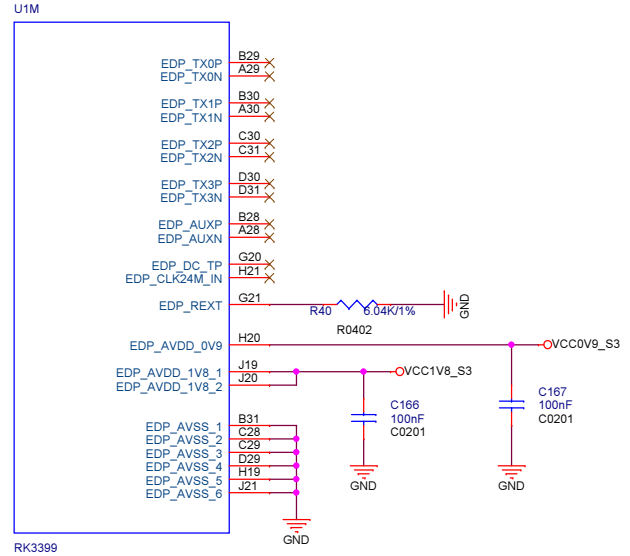
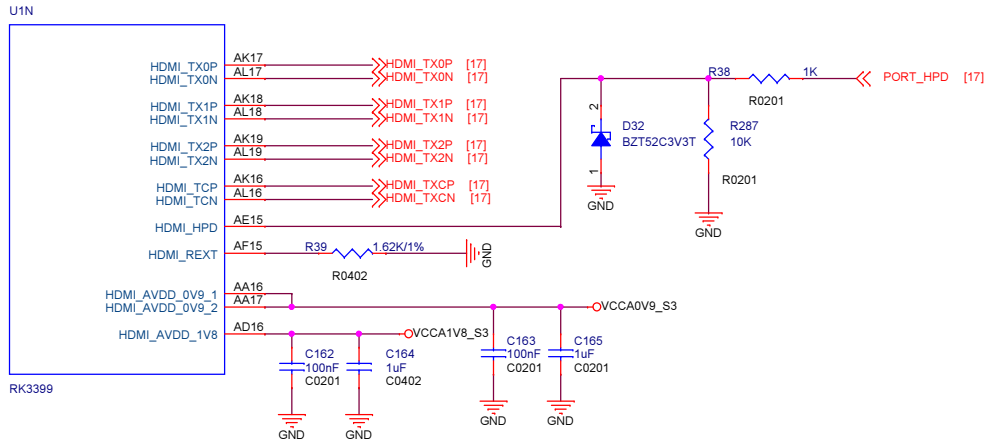
LPDDR3

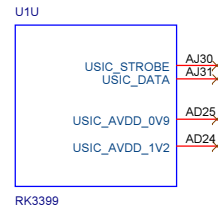
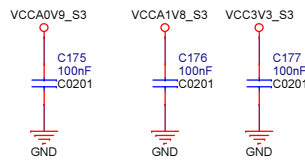
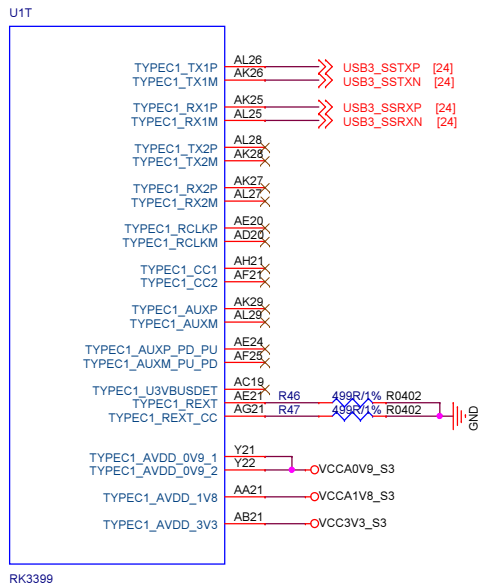
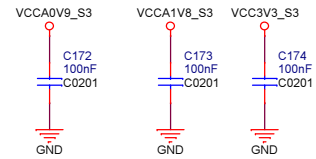
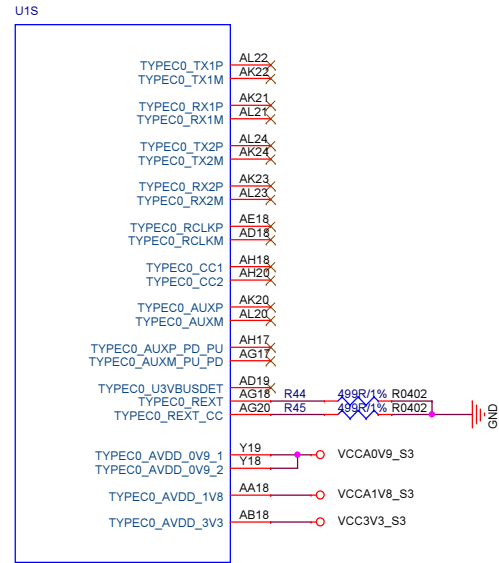
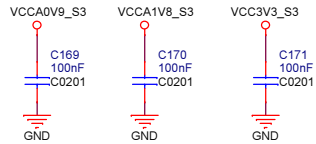
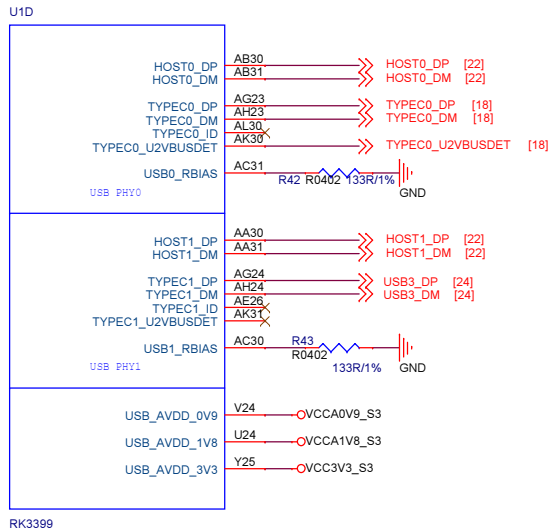


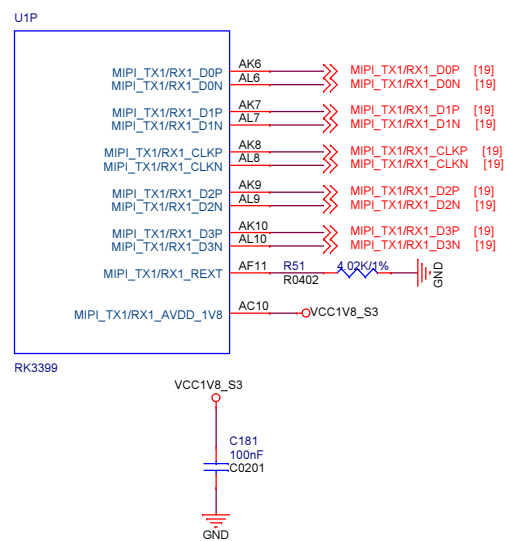
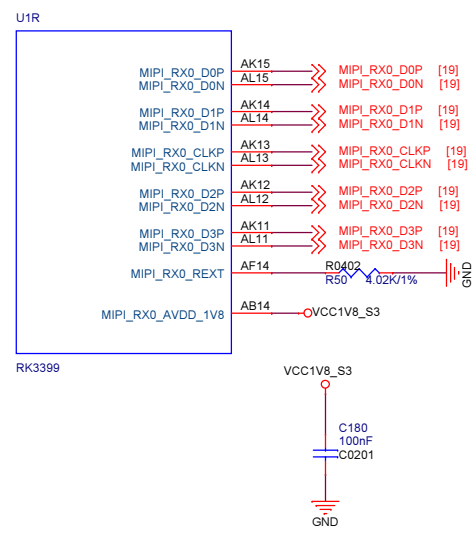
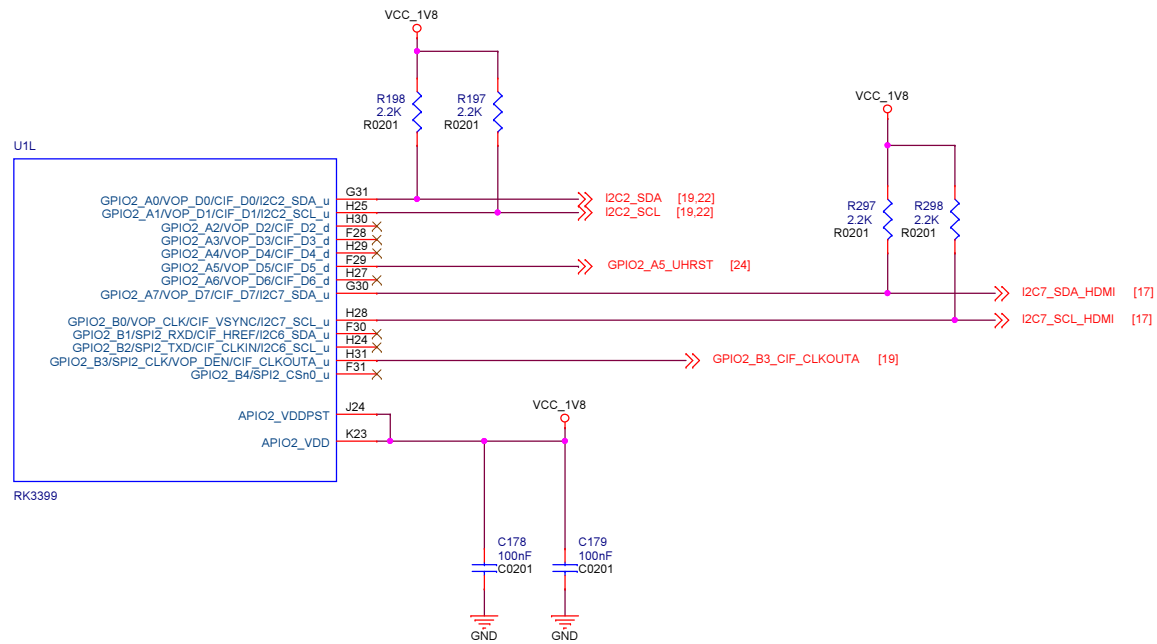
LPDDR3



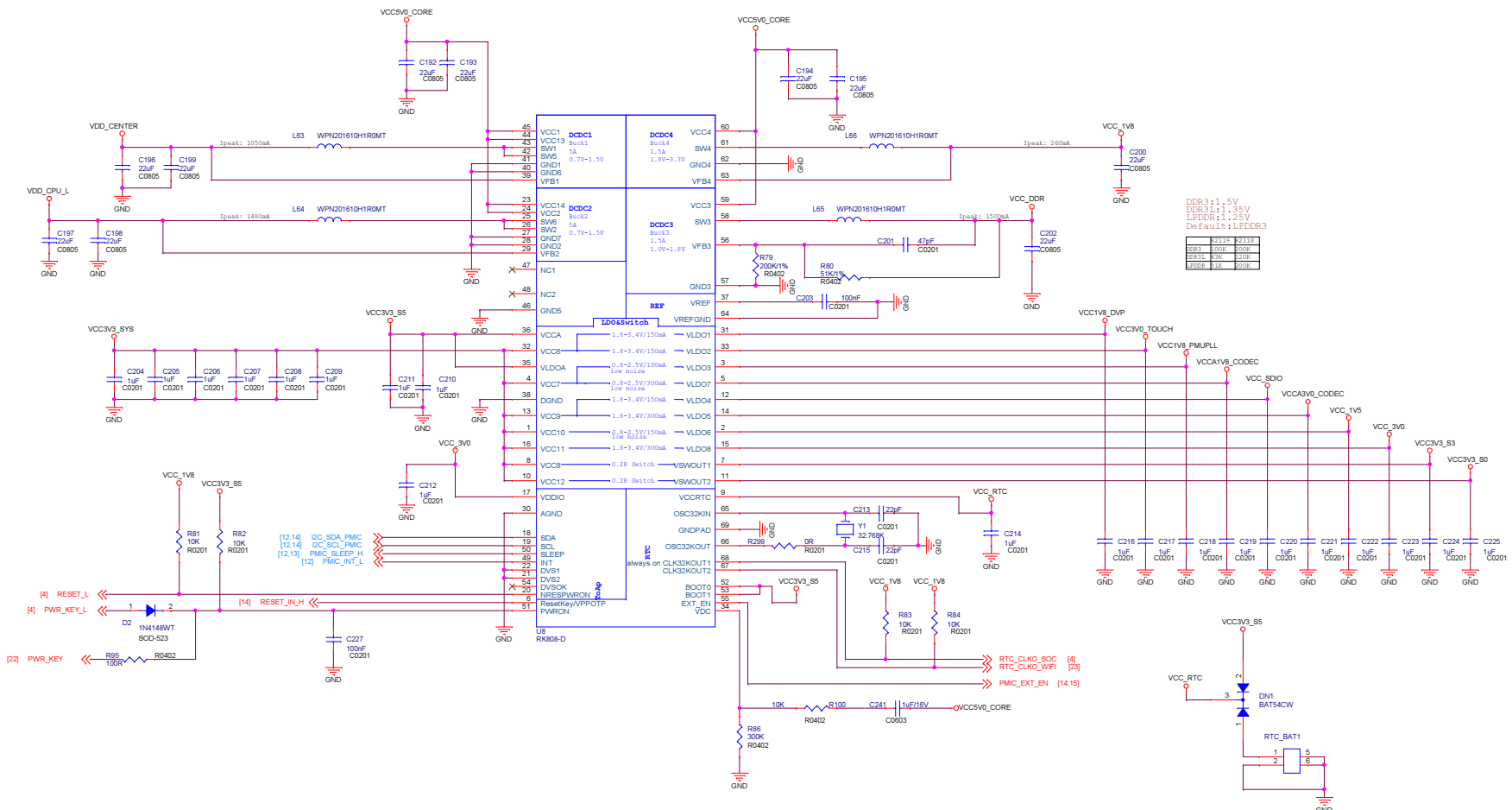






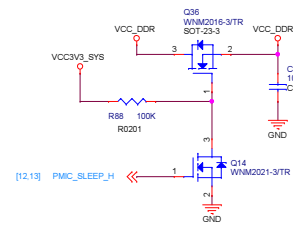
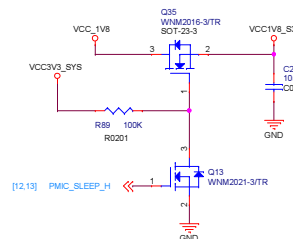
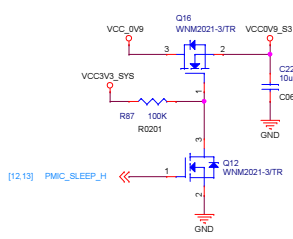


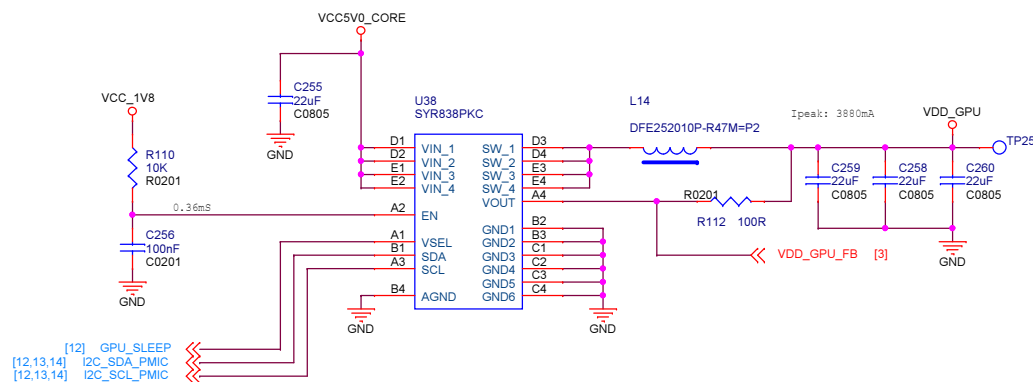
PMIC RK808



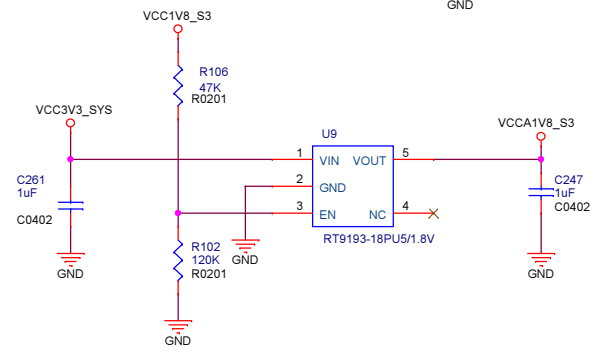
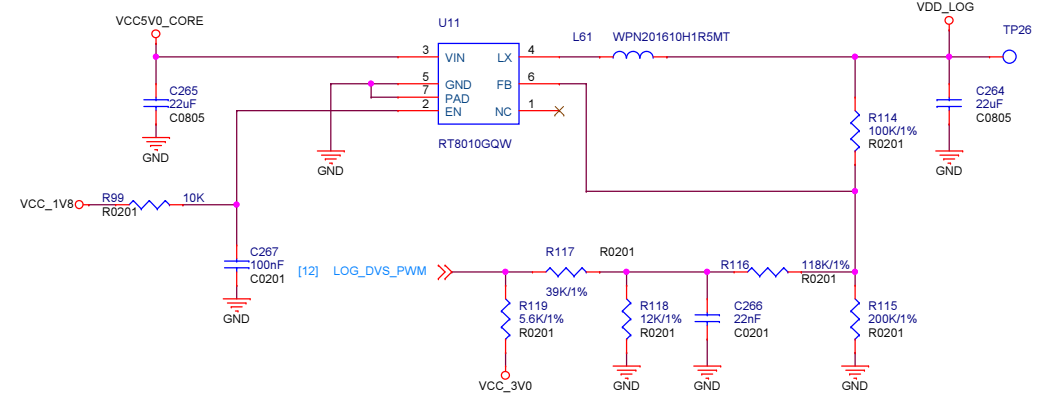
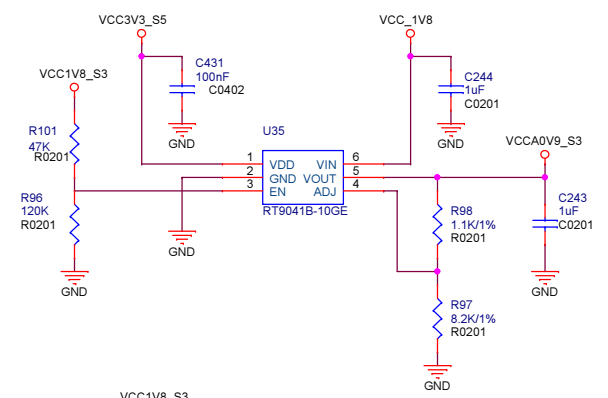
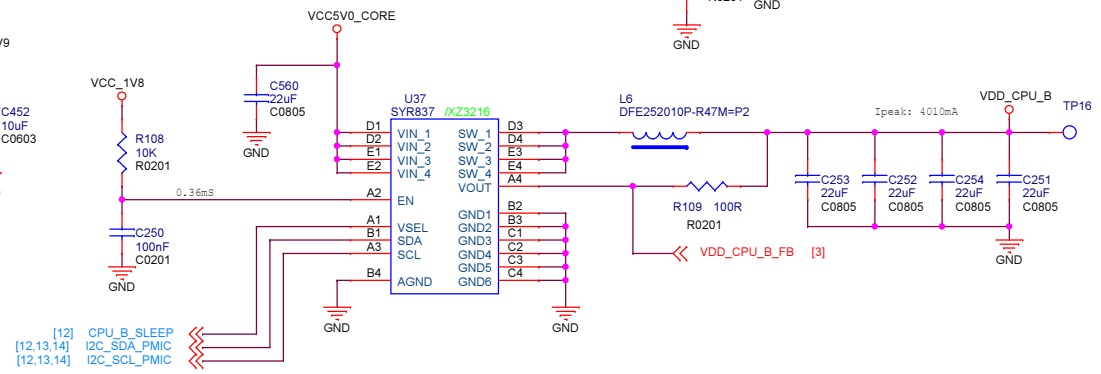
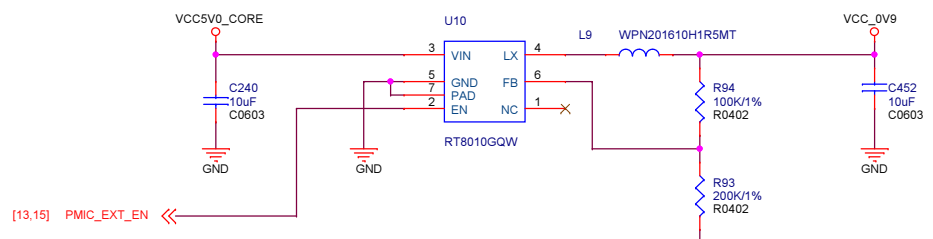
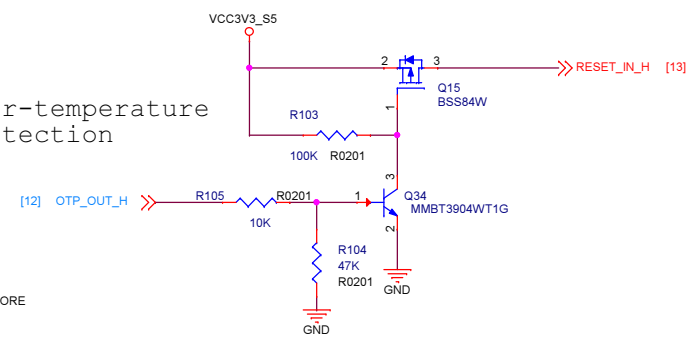
DDR3:1.5V
 DDR3L:1.35V
 LPDDR:1.25V
 Default:LPDDR3

ESD1	ESD2	ESD3	ESD4
ESD1	ESD2	ESD3	ESD4
ESD1	ESD2	ESD3	ESD4
ESD1	ESD2	ESD3	ESD4



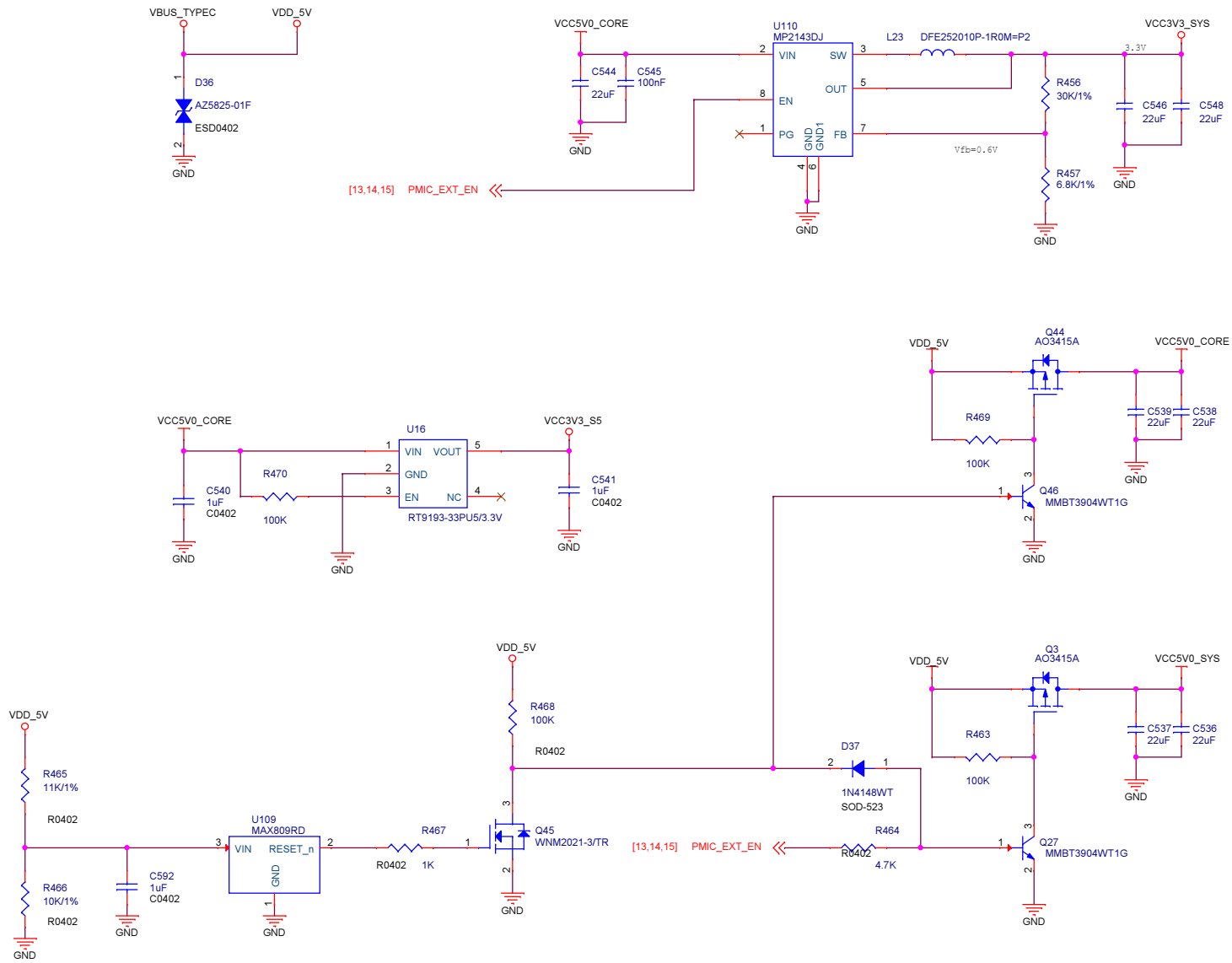


Over-temperature Protection

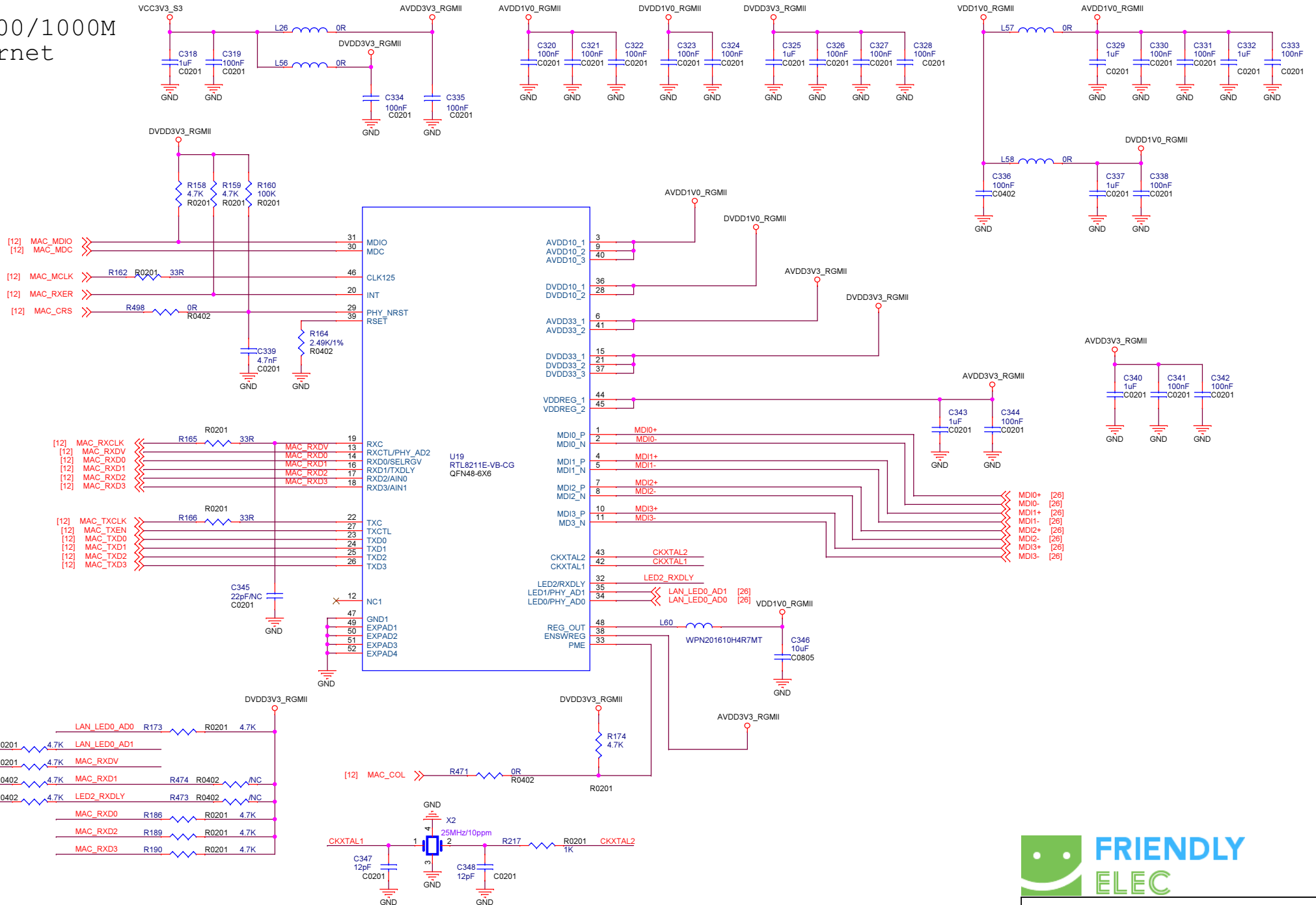


NanoPi M4 (4GB)		
Size A3	Document Number 13.Power2-CPU/GPU/etc	Rev 1807
Date: Tuesday, August 21, 2018	Sheet 13 of 25	

Power Supply

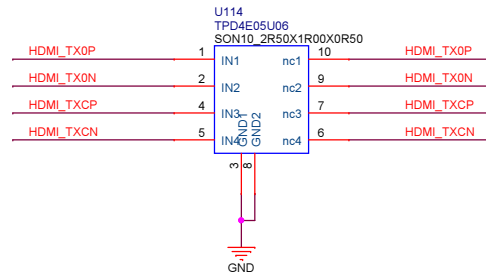
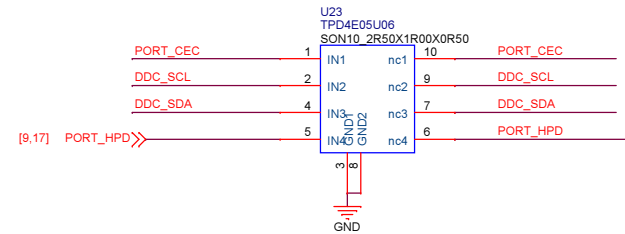
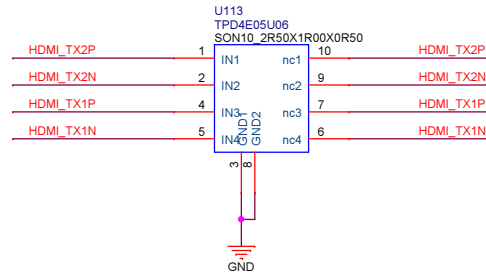
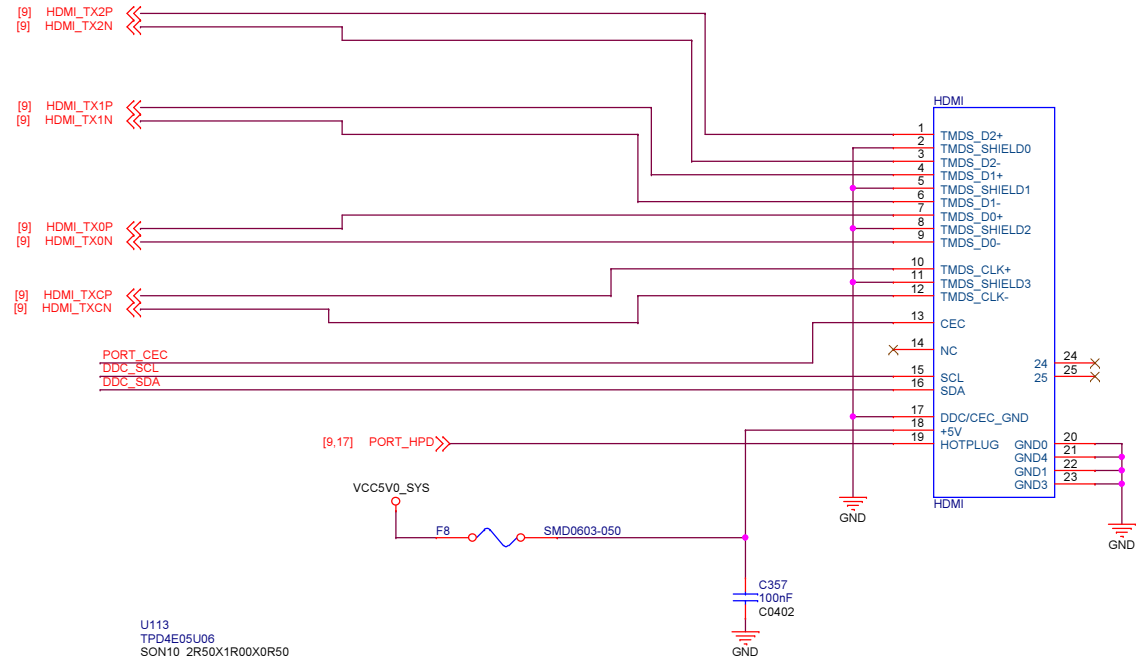
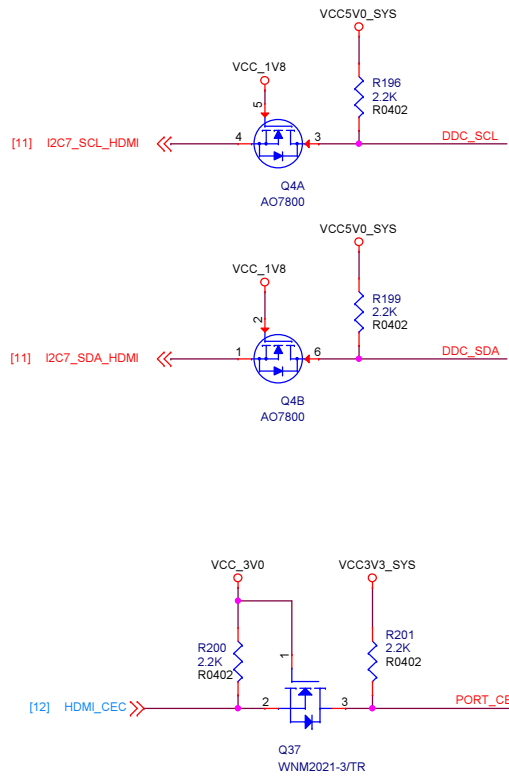


10/100/1000M Ethernet

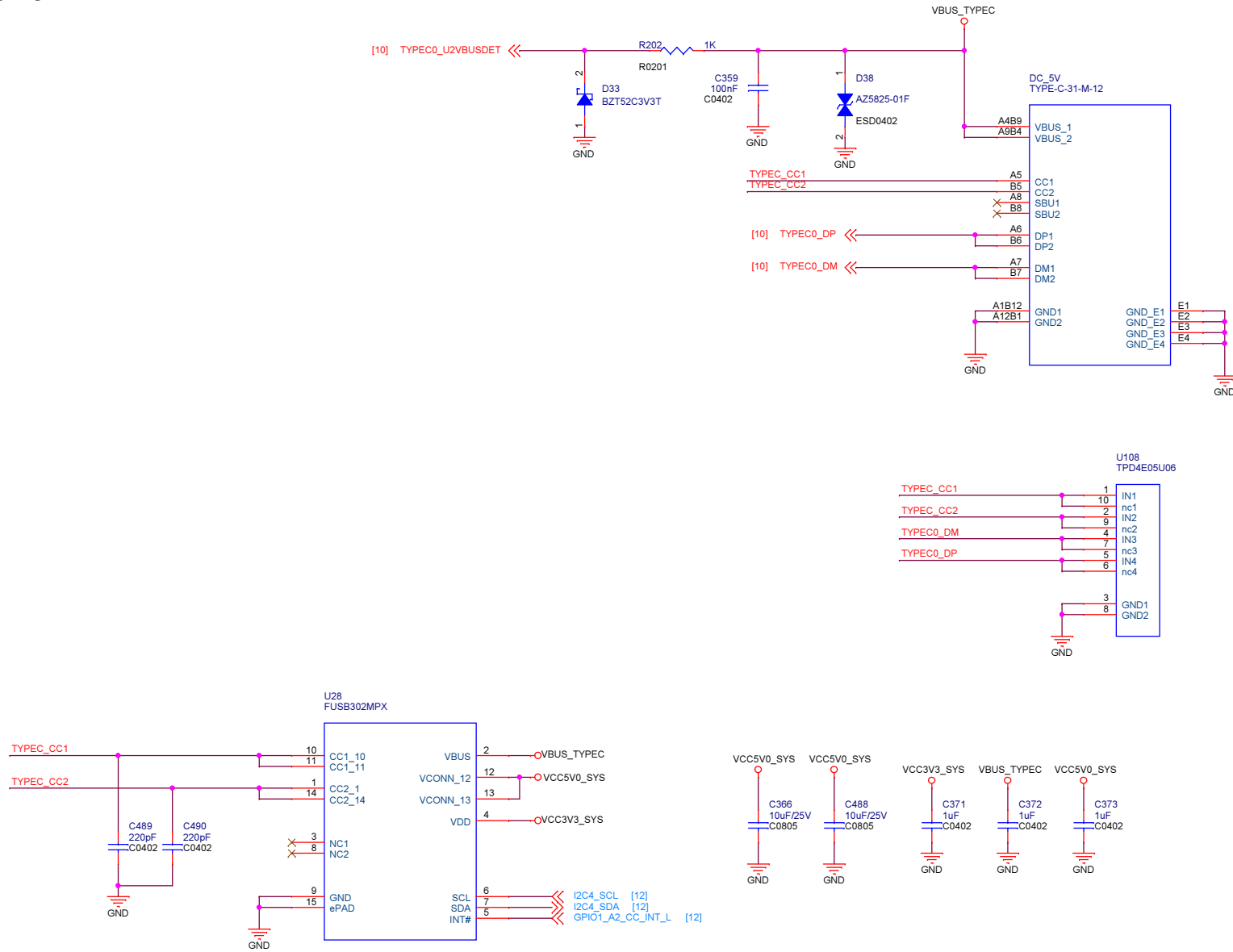


NanoPi M4 (4GB)		
Size A3	Document Number 15.RGMII-10/100/1000M	Rev 1807
Date: Tuesday, August 21, 2018	Sheet 15	of 25

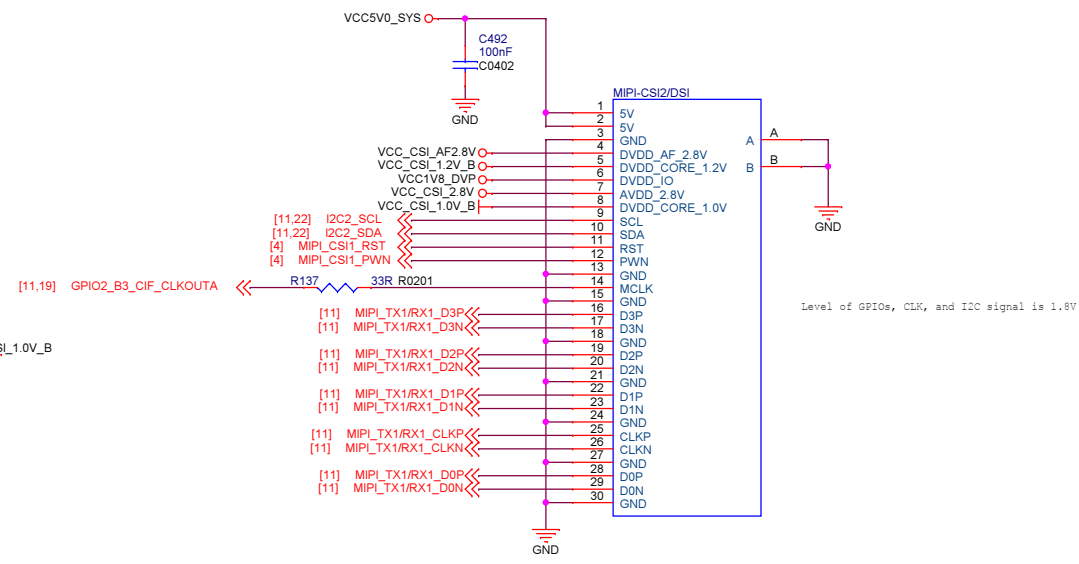
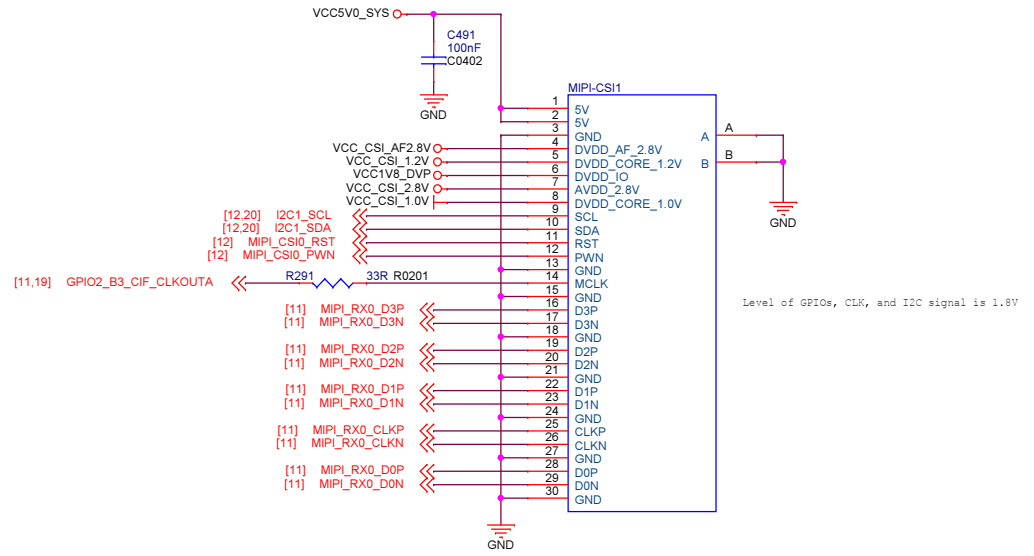
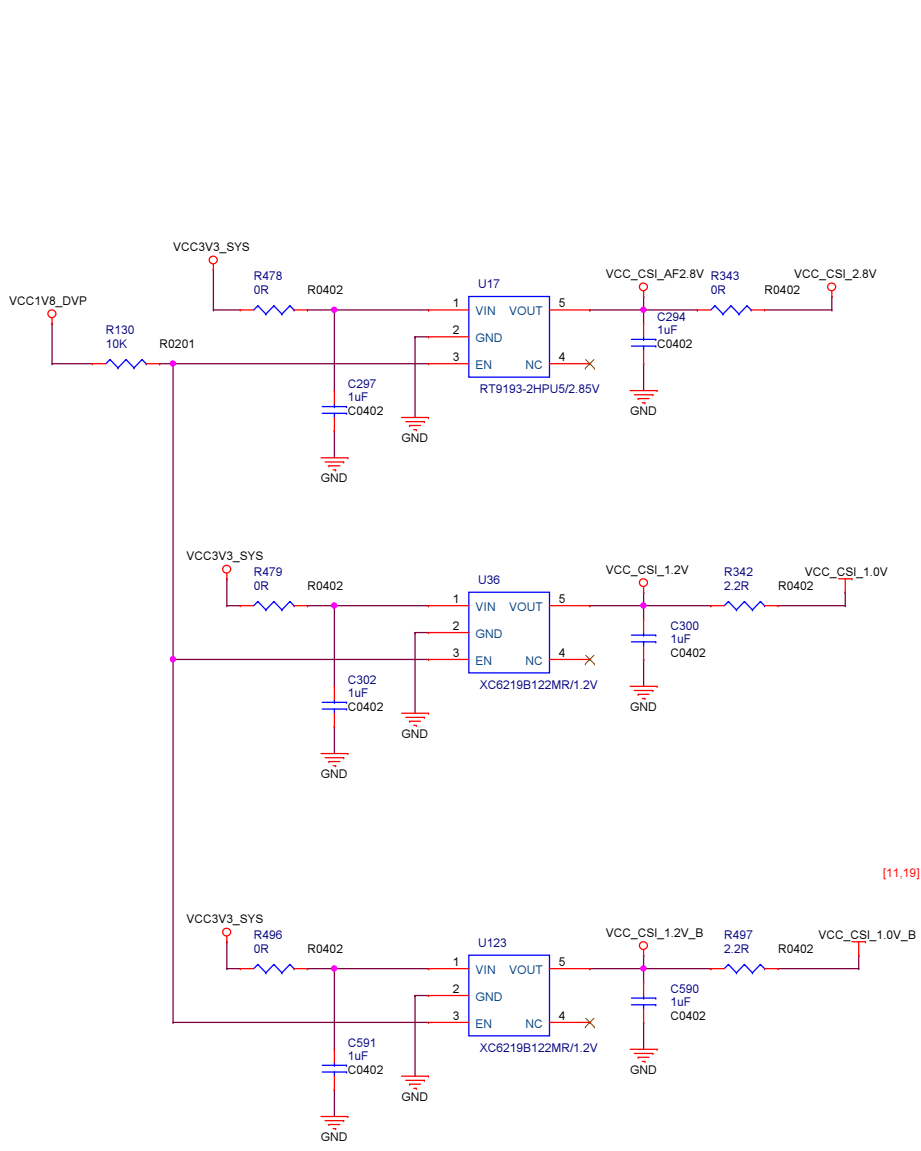
HDMI Port

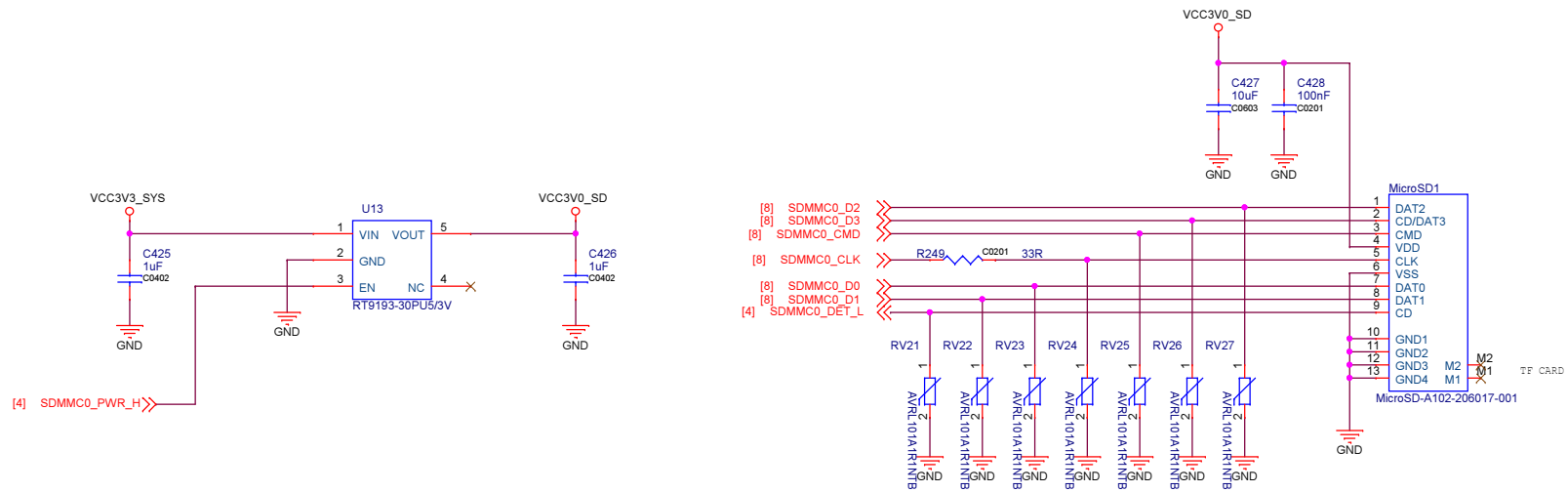


USB Type-C

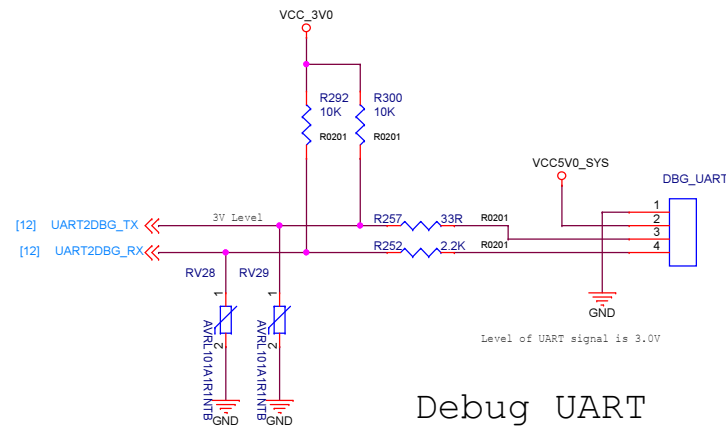


MIPI-CSI





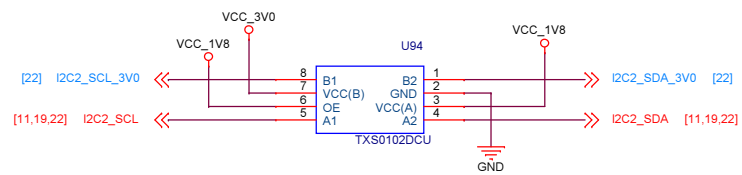
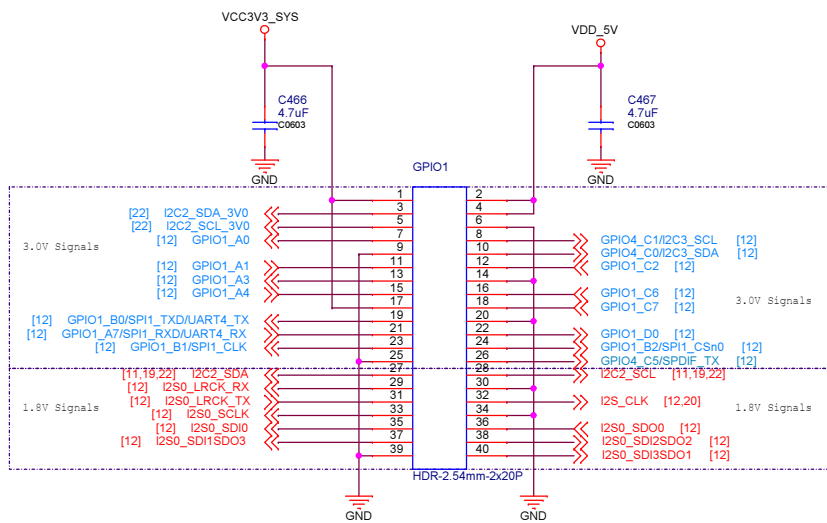
MicroSD



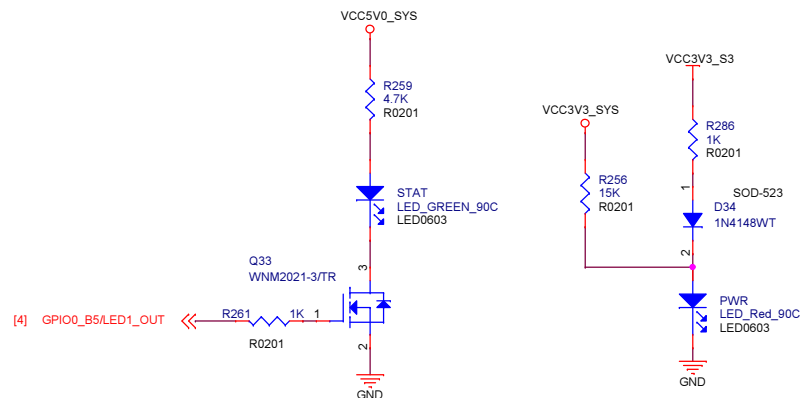
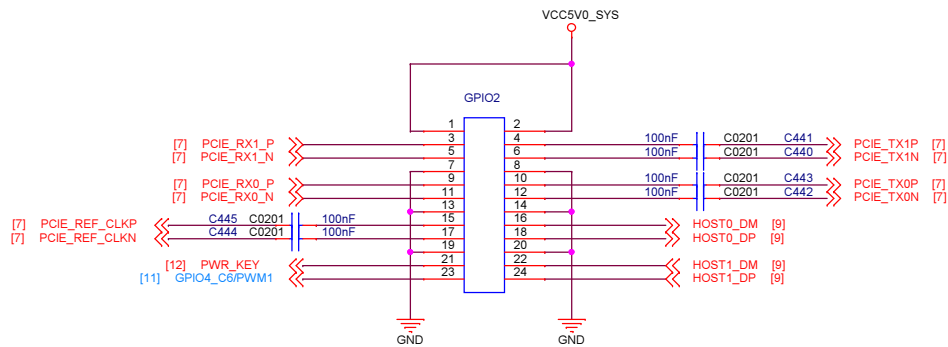
Debug UART



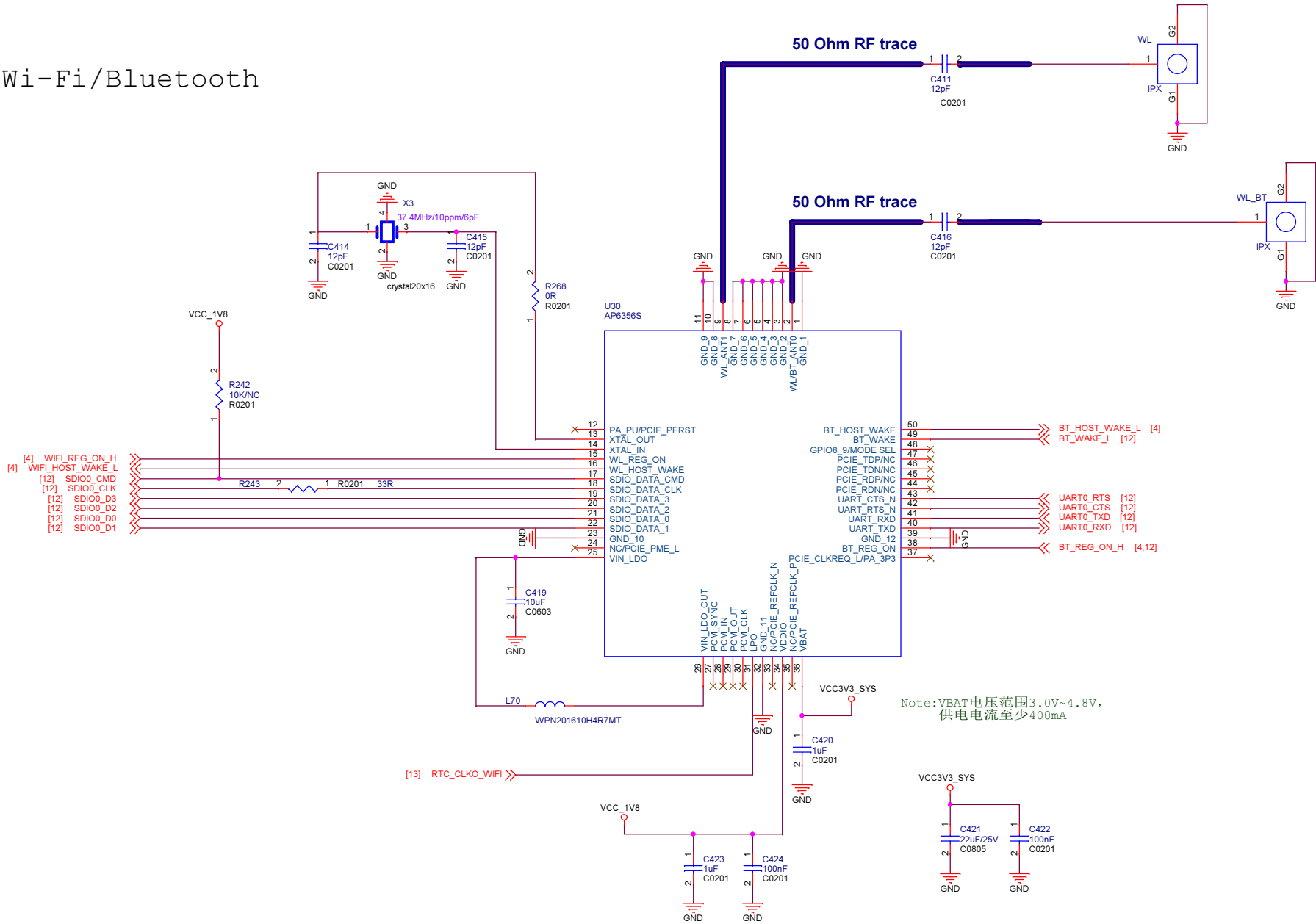
GPIO



PCIe, USB

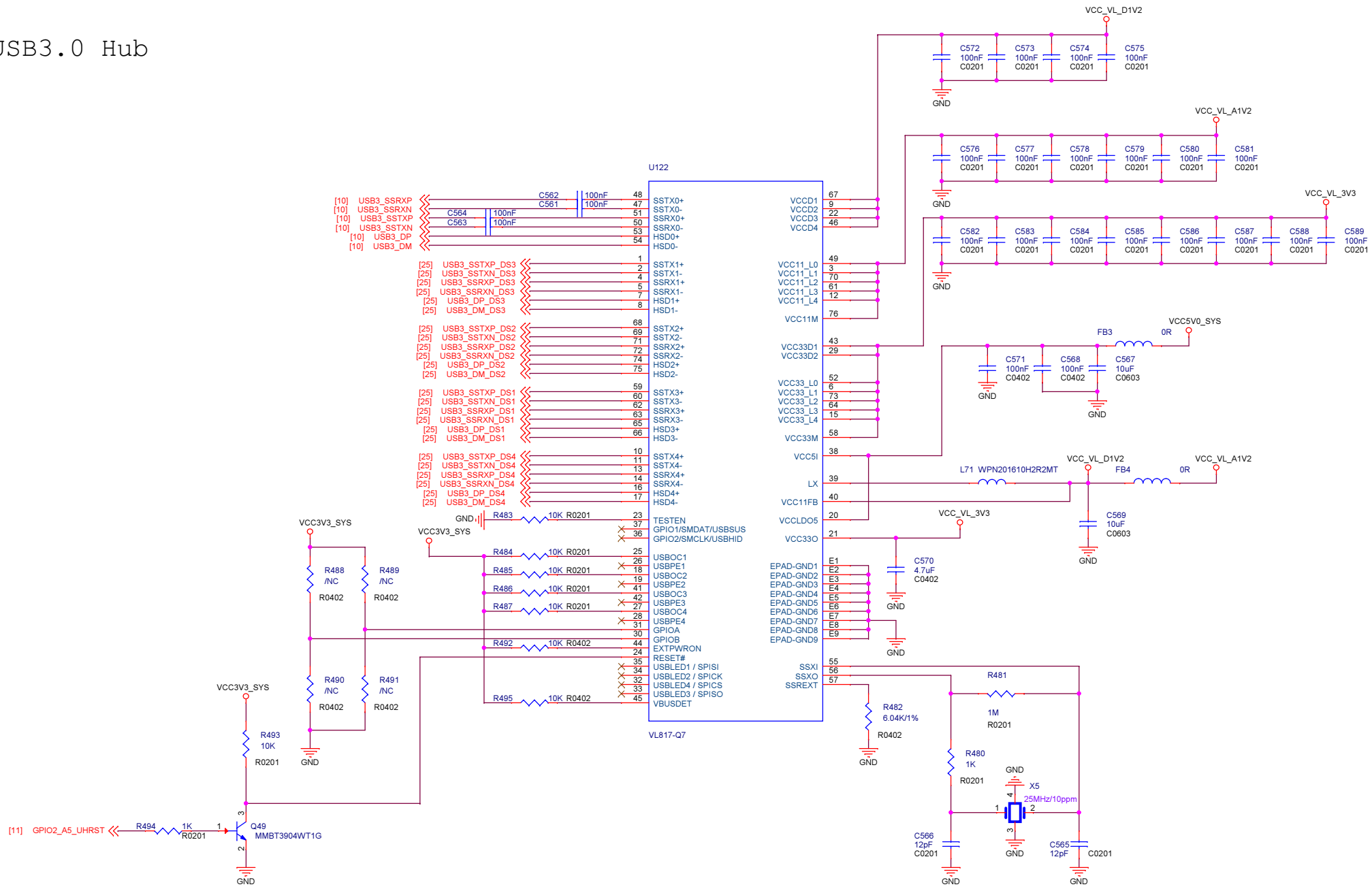


Wi-Fi/Bluetooth



NanoPi M4 (4GB)		
Size A3	Document Number 22-Wi-Fi	Rev 1807
Date:	Tuesday, August 21, 2018	Sheet 22 of 25

USB3.0 Hub



USB3.0 Host

