

NanoPi K1 Plus

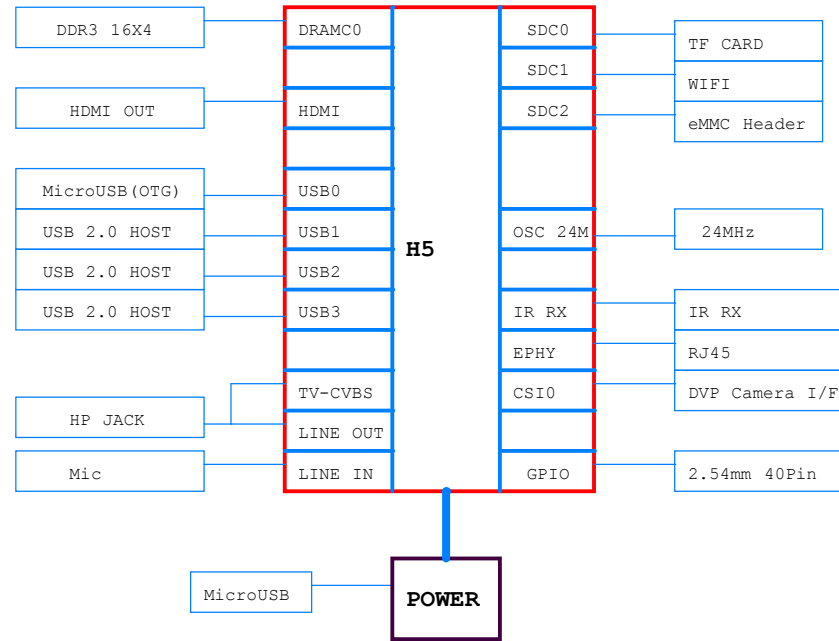
Revision

V1.0 1712 , First Release

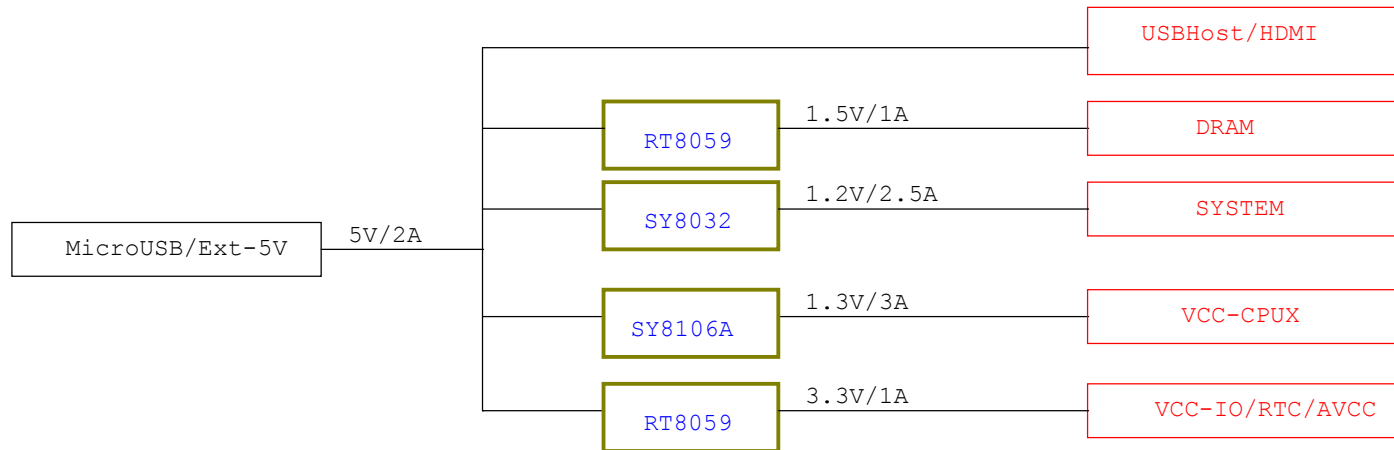


NanoPi K1 Plus		
Size A3	Document Number Title	Rev V1.0 1712
Date:	Wednesday, April 18, 2018	Sheet 1 of 14

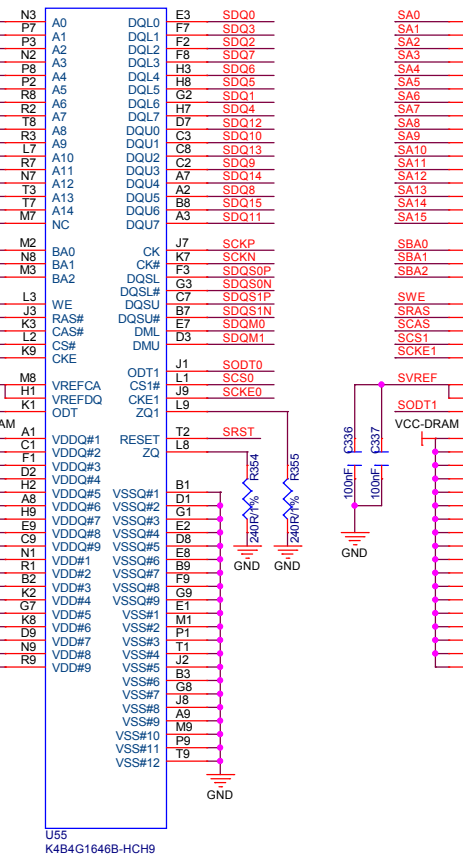
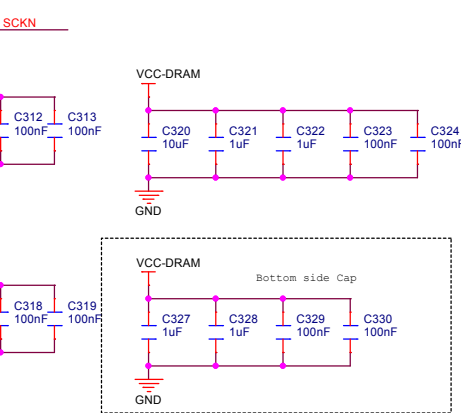
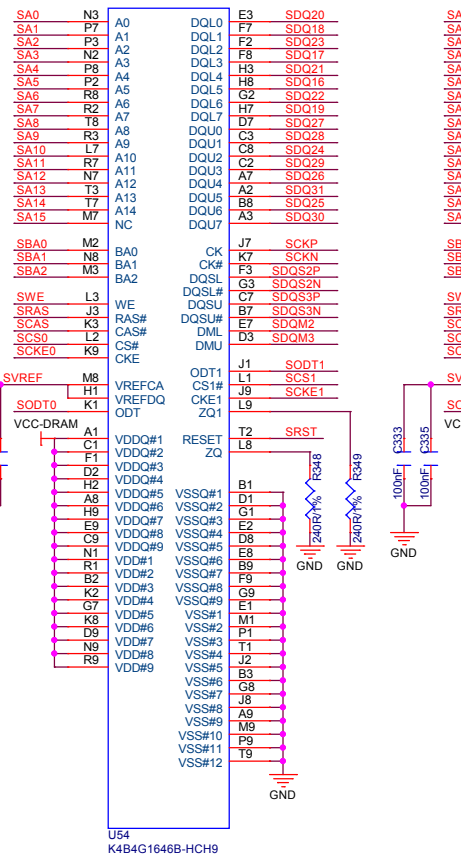
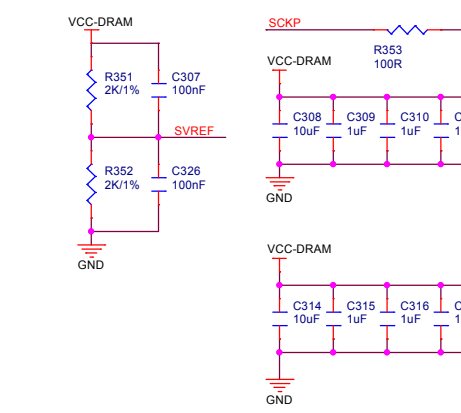
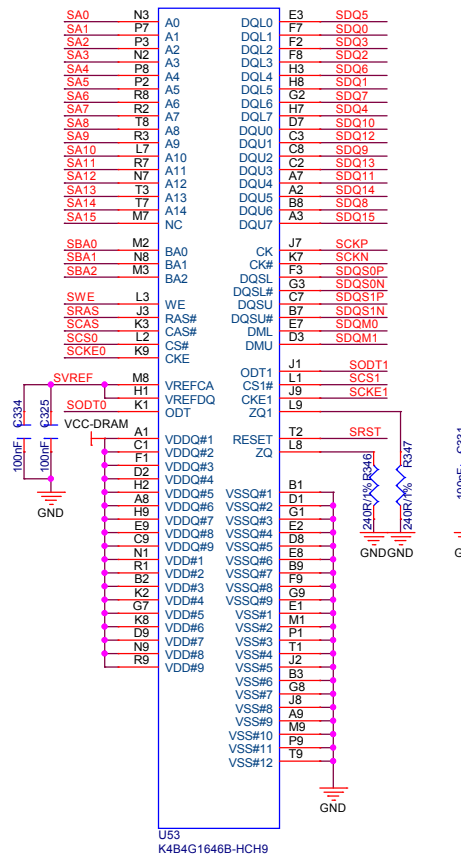
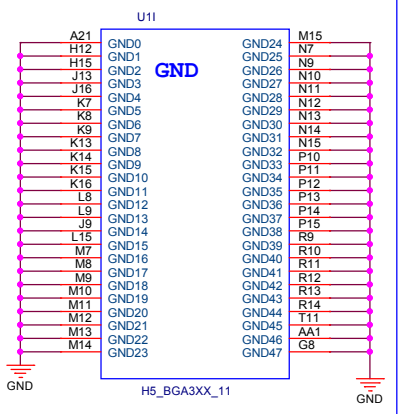
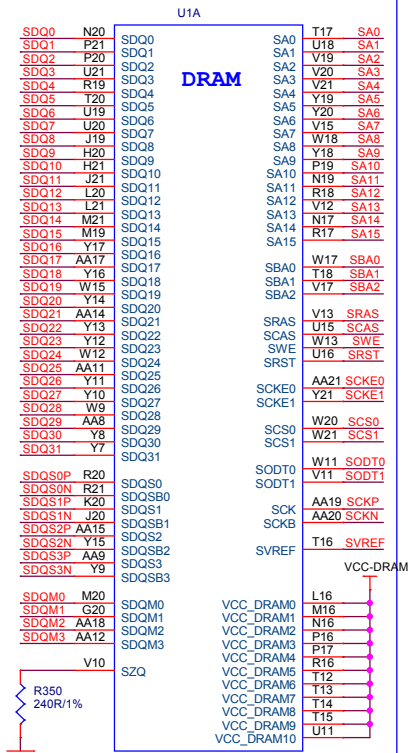
BLOCK



POWER TREE



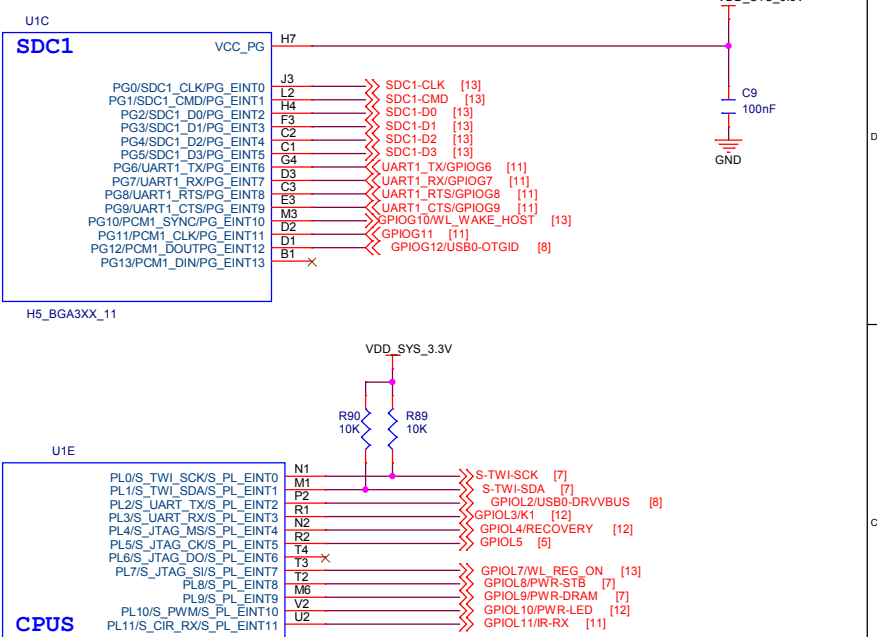
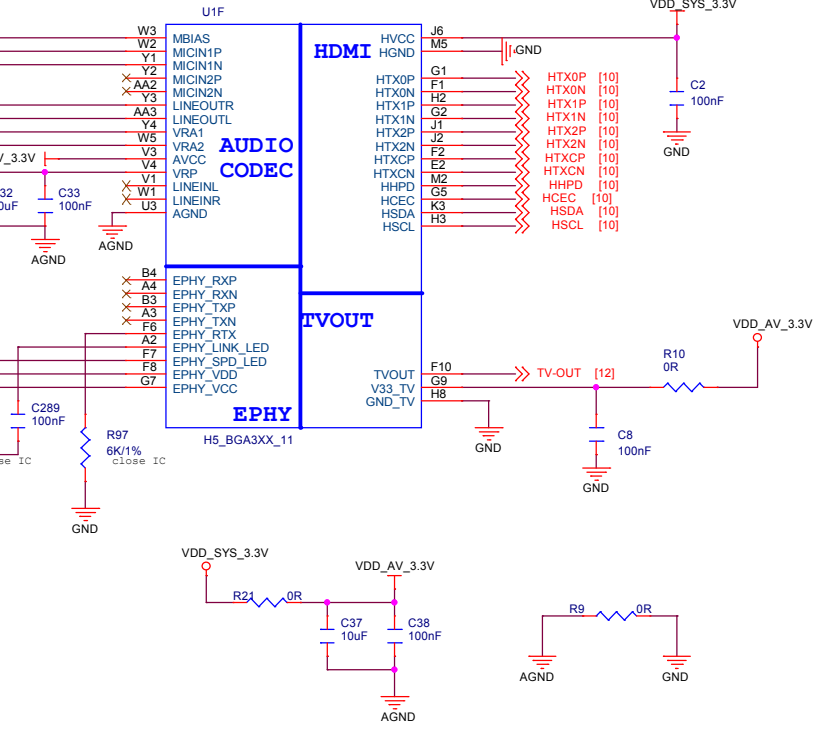
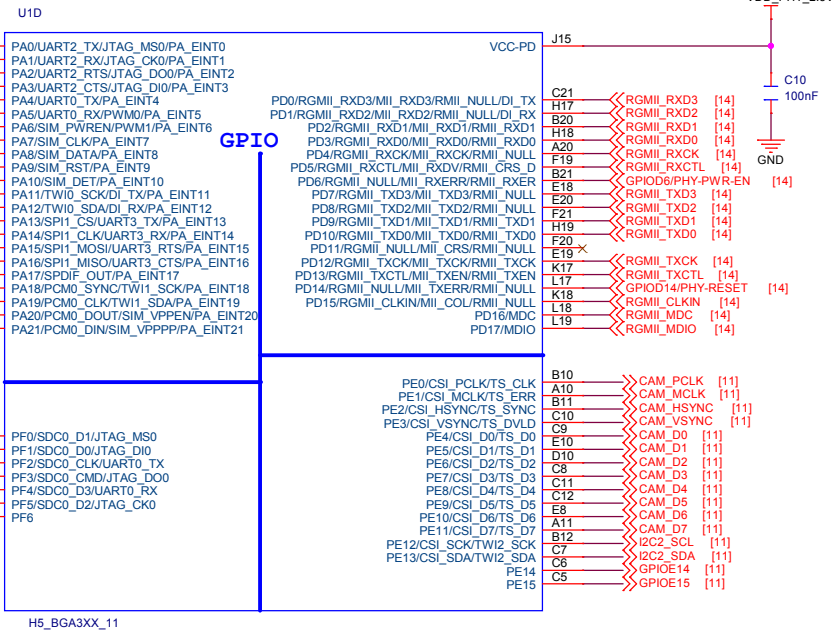
DDR3 16x4



NanoPi K1 Plus

Size	A3	Document Number	DDR3 16x2	Rev	V1.0.1712
Date:	Wednesday, April 18, 2018			Sheet	4 of 14

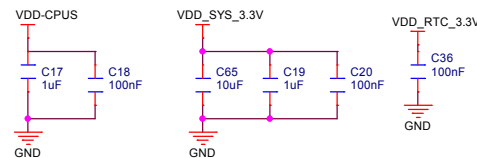
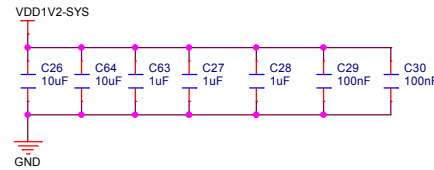
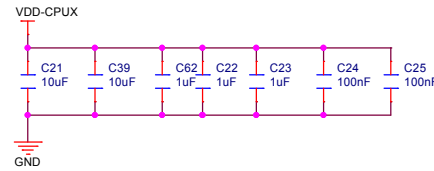
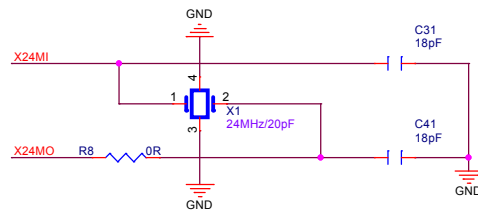
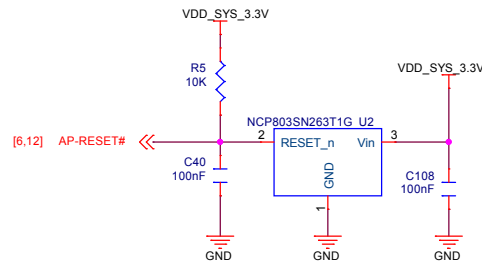
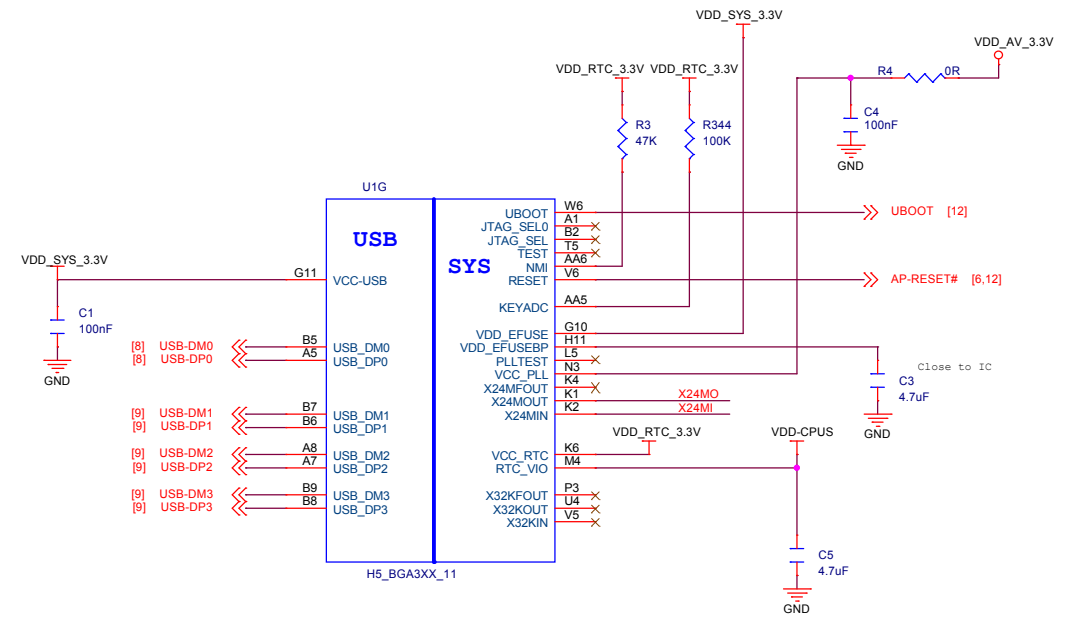
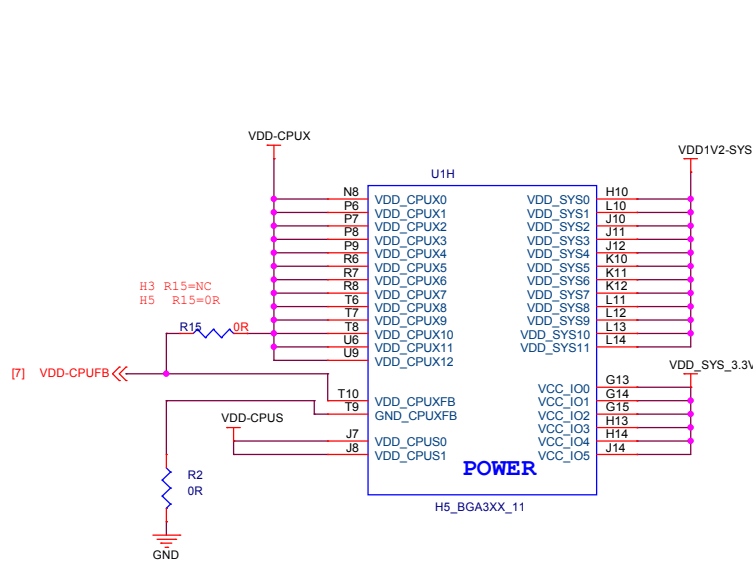
CPU 01



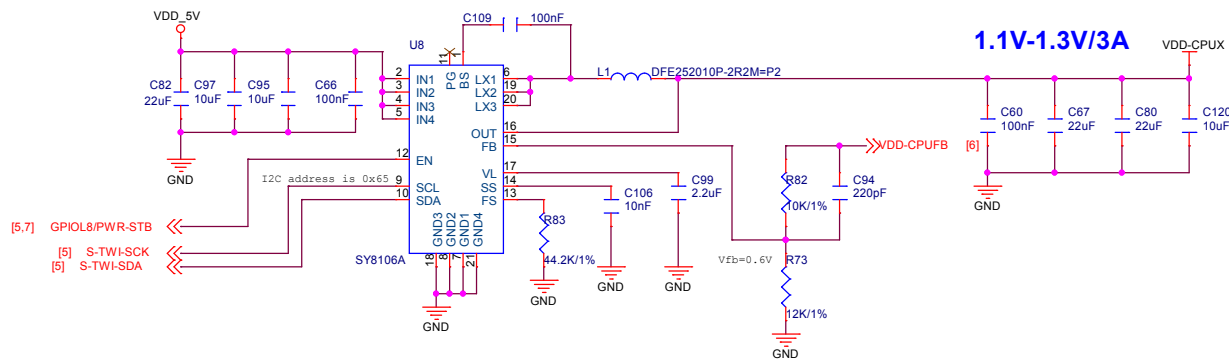
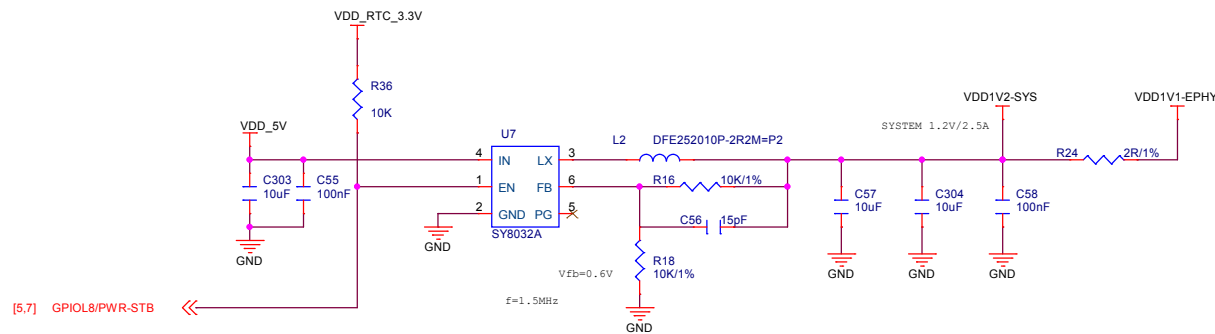
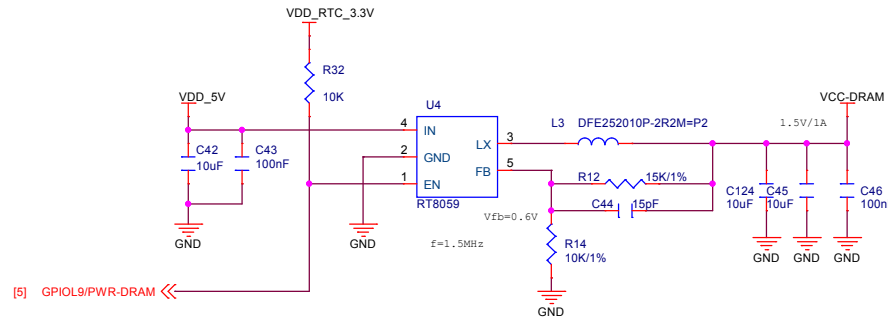
	PWRON/WORK	STANDBY	PWROFF
PWR-STB	1	0	0
PWR-DRAM	1	1	0



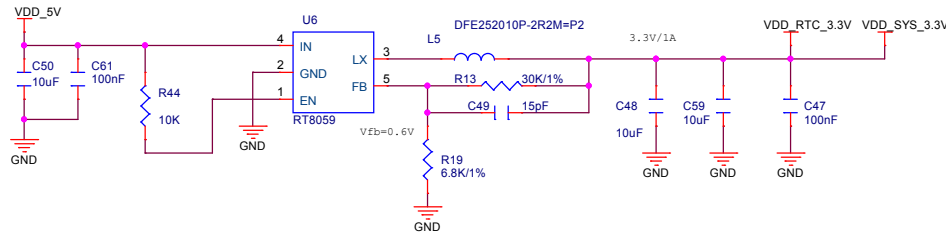
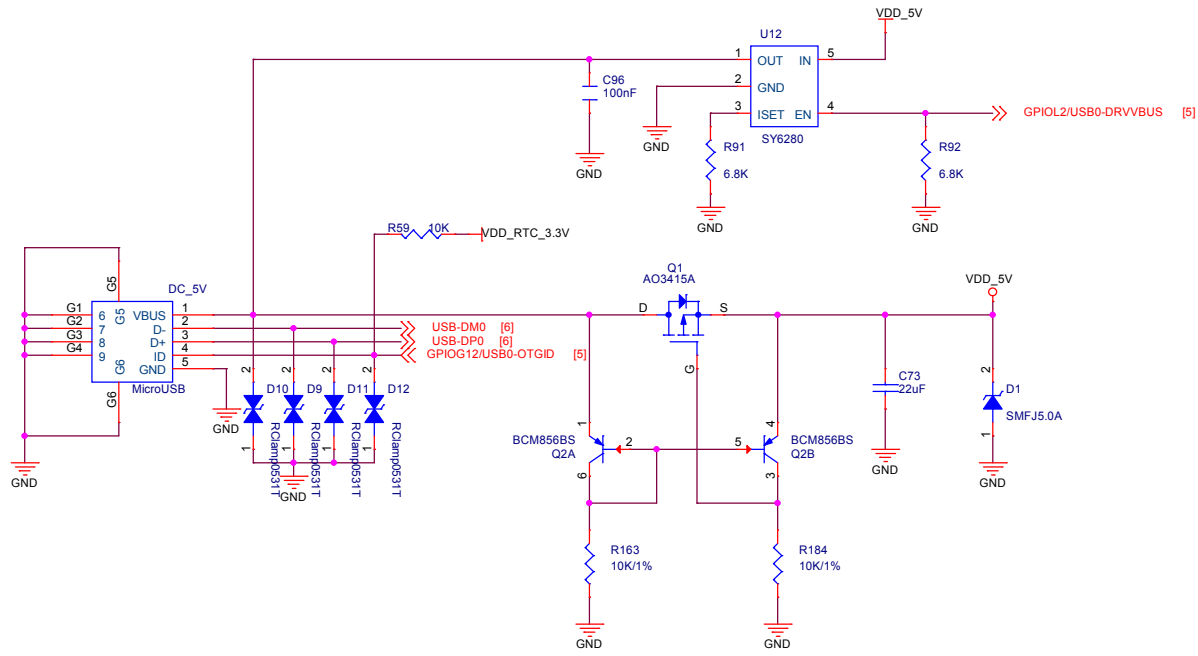
CPU 02



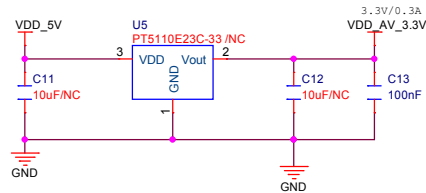
POWER 01



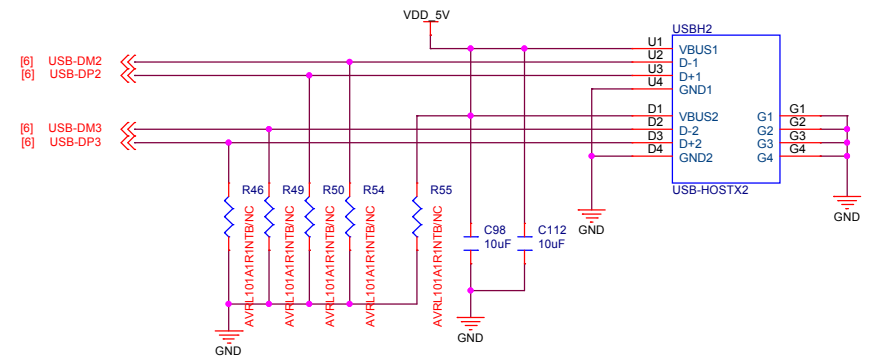
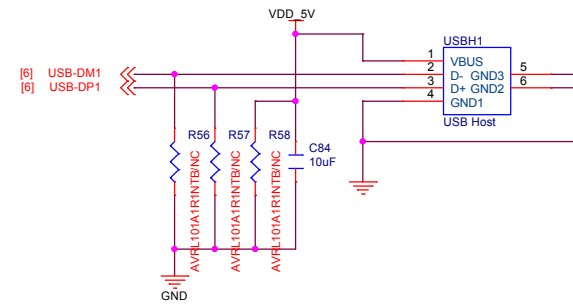
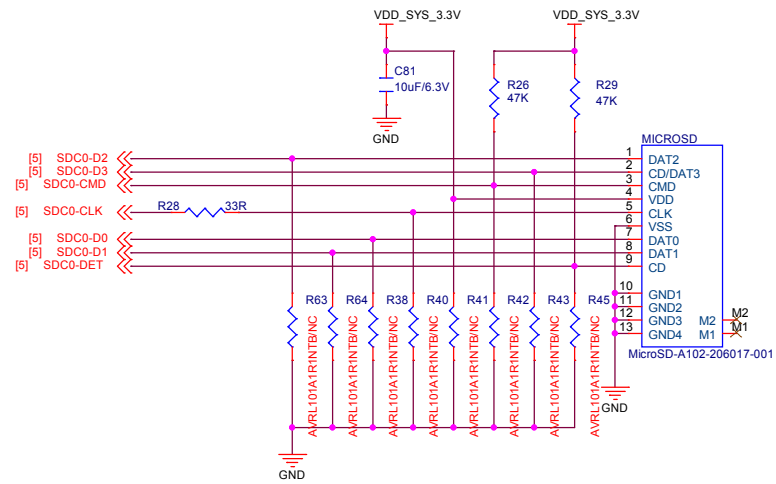
POWER 02



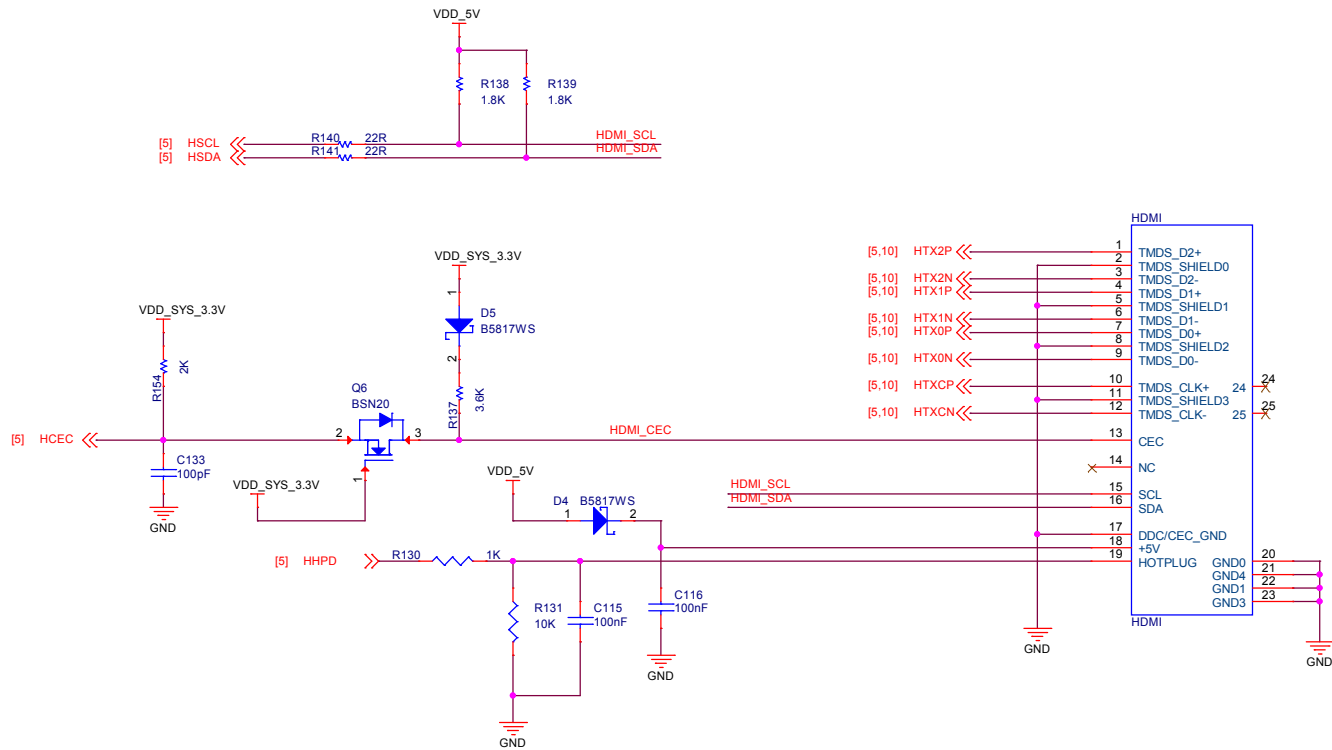
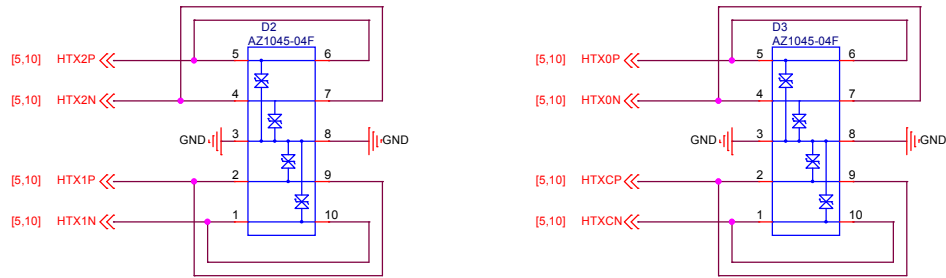
VCC-AVCC 3.3V/300mA



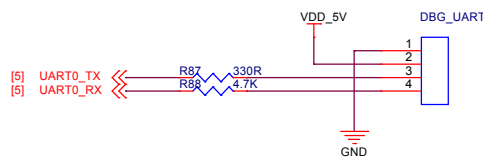
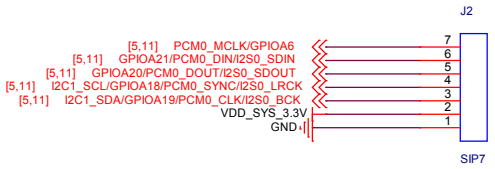
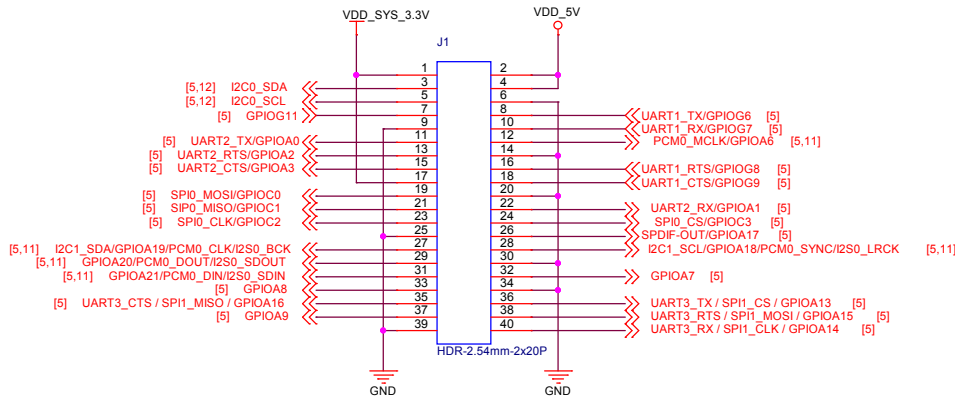
TF,USB Host,



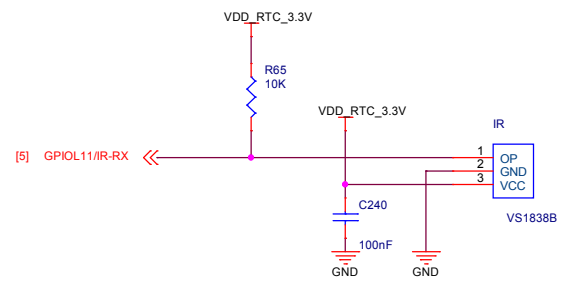
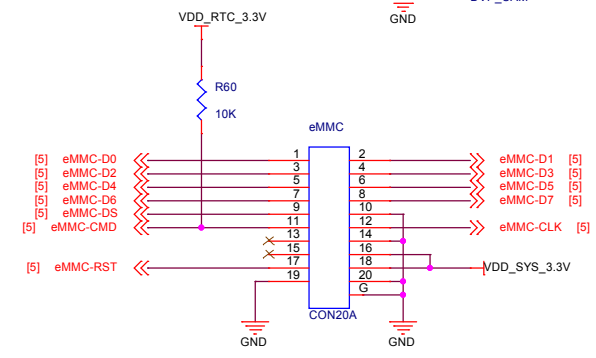
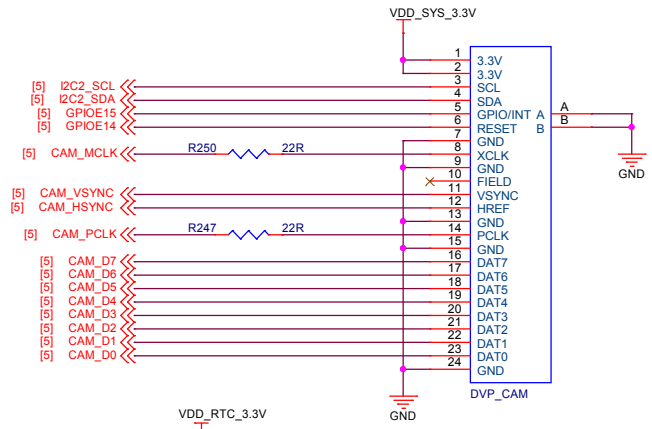
HDMI



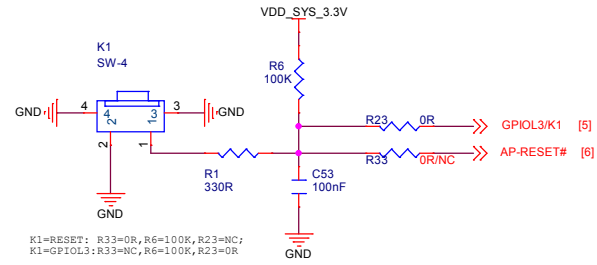
GPIO, CAM, IR,eMMC



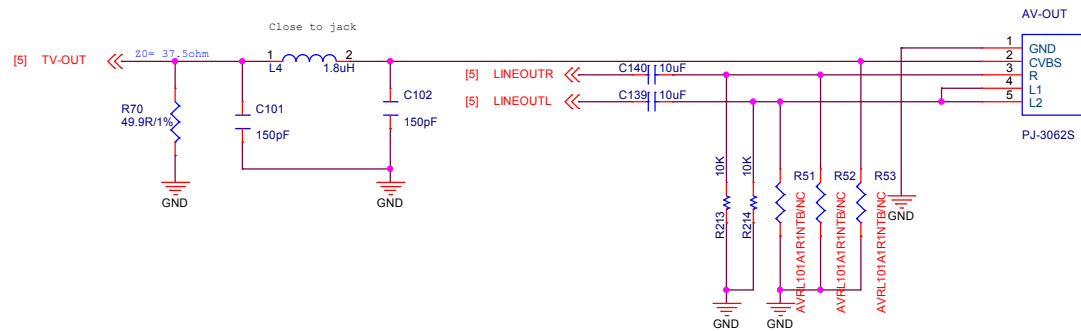
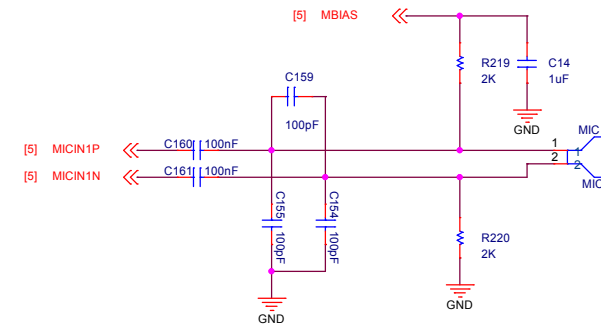
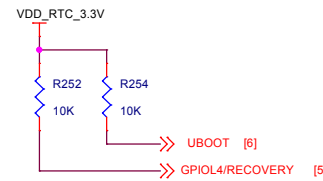
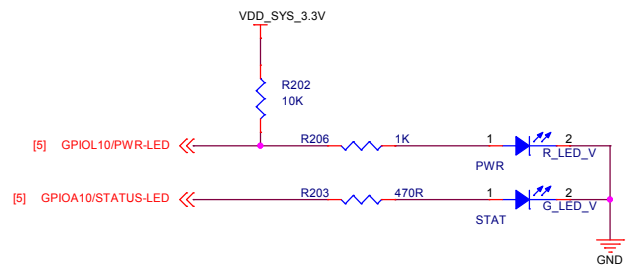
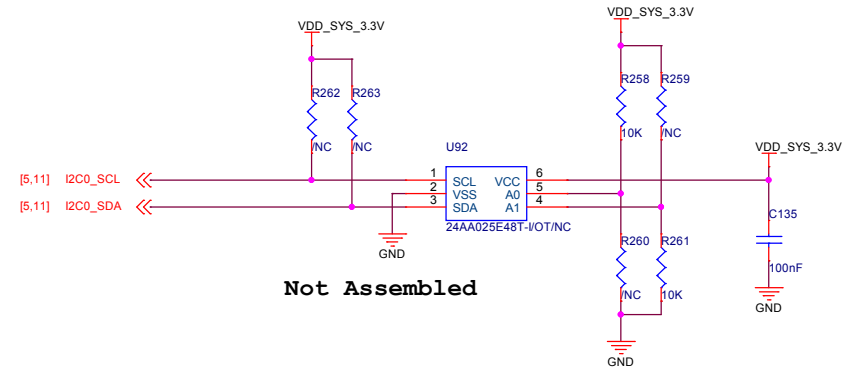
Camera Interface



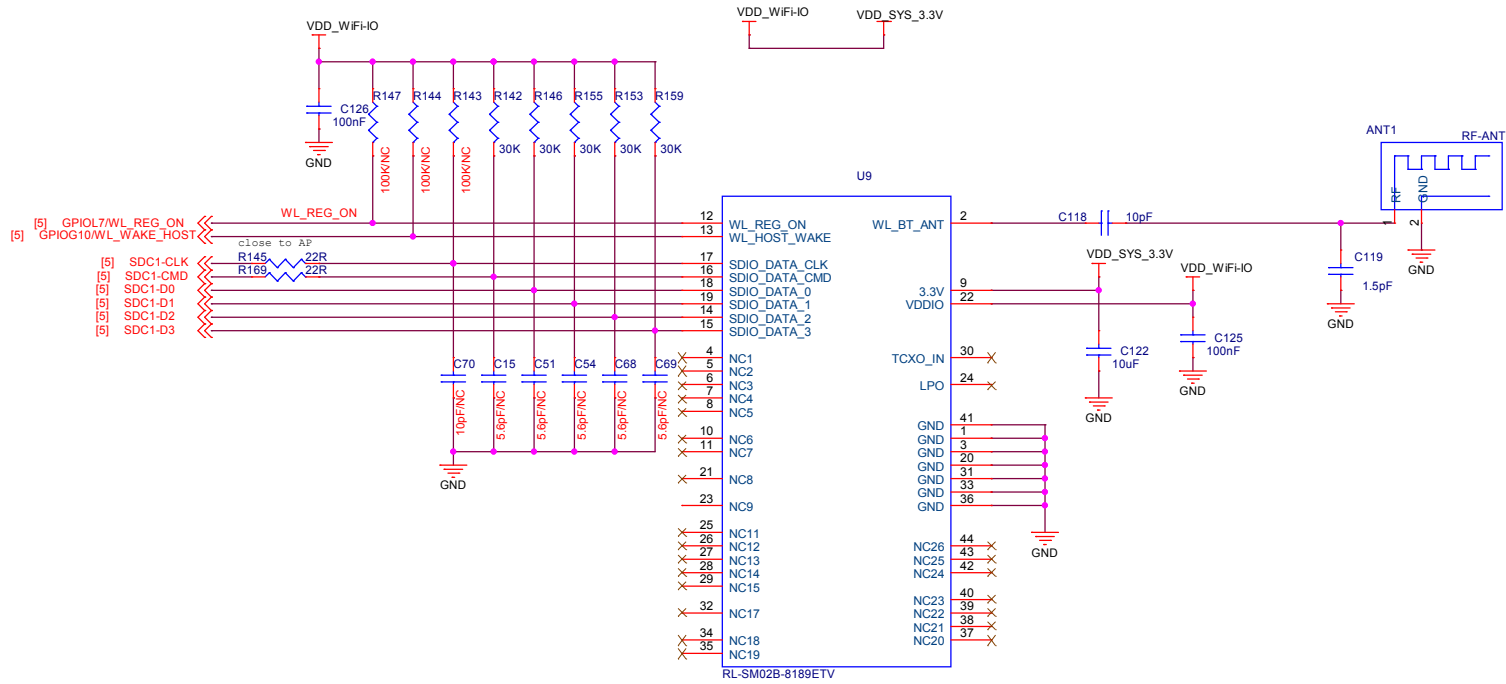
LEDs, Keys, AV, MIC



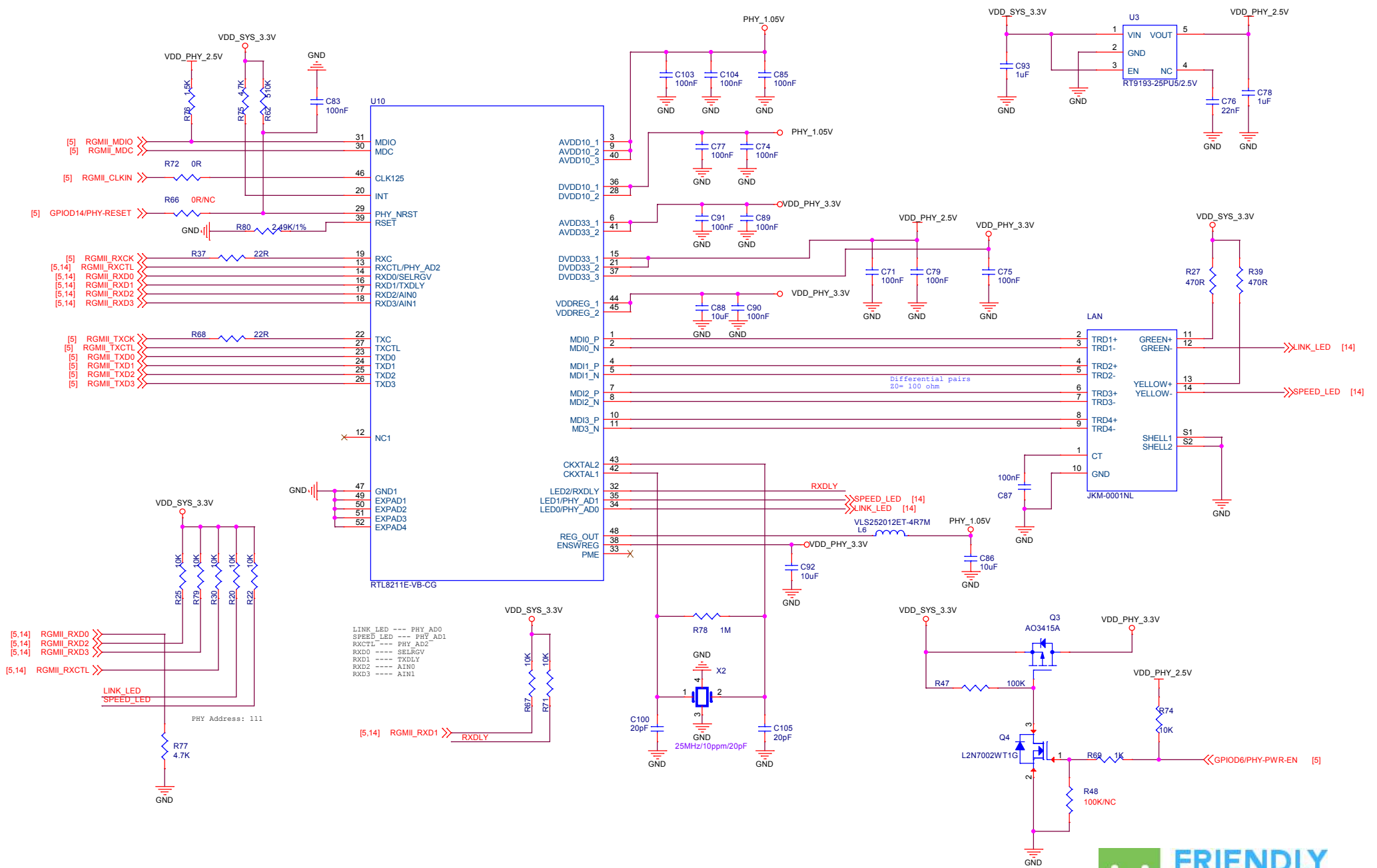
EEPROM with MAC Address



WIFI



10/100/1000M Ethernet



LINK_LED --- PHY_ADO
 SPEED_LED --- PHY_AD1
 RXCTL1 --- PHY_AD2
 RXD0 --- SELRGV
 RXD1 --- TXDLY
 RXD2 --- AIN0
 RXD3 --- AIN1

PHY Address: 111



NanoPi K1 Plus		
Size	Document Number	Rev
A3	10/100/1000M Ethernet	V1.0 1712
Date:	Wednesday, April 18, 2018	Sheet 14 of 14