

# NanoPi NEO

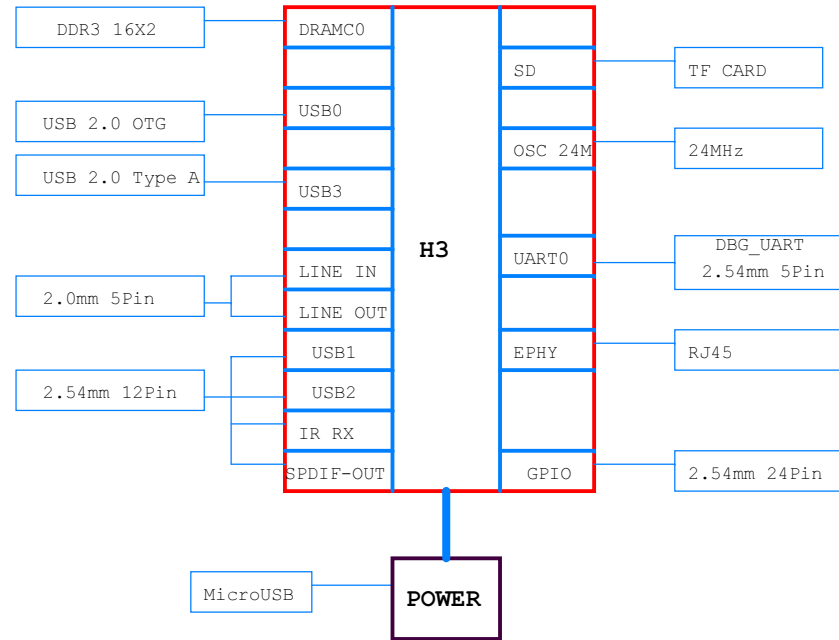
## Revision

1606 , First Release  
V1.1 1607, Replace MIC&LINEOUT with I2S/PCM on CON2  
V1.2 1608, Use DC/DC (U7) for VDD1V2-SYS  
V1.3 1702, Use DC/DC(U25) for VDD-CPUX  
V1.31 1703, Change TFCard(MicroSD) footprint  
2017/05/18, rename PWM1/GPIOA6 to GPIOA6

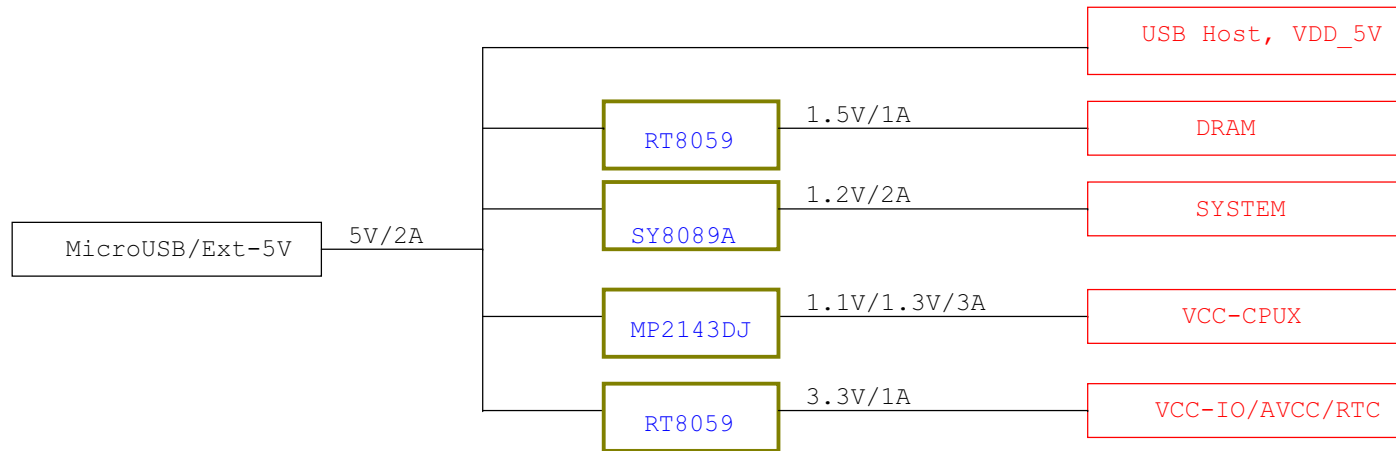


NanoPi NEO		
Size A3	Document Number 01:Title	Rev V1.31
Date:	Thursday, May 18, 2017	Sheet 1 of 11

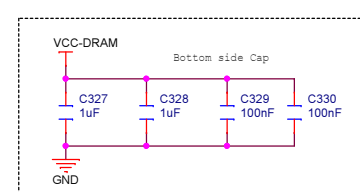
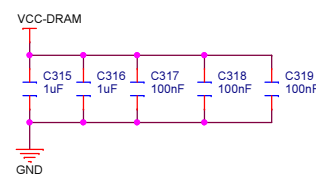
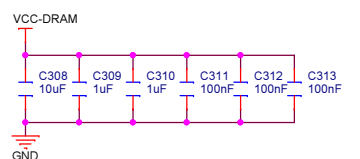
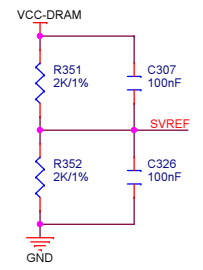
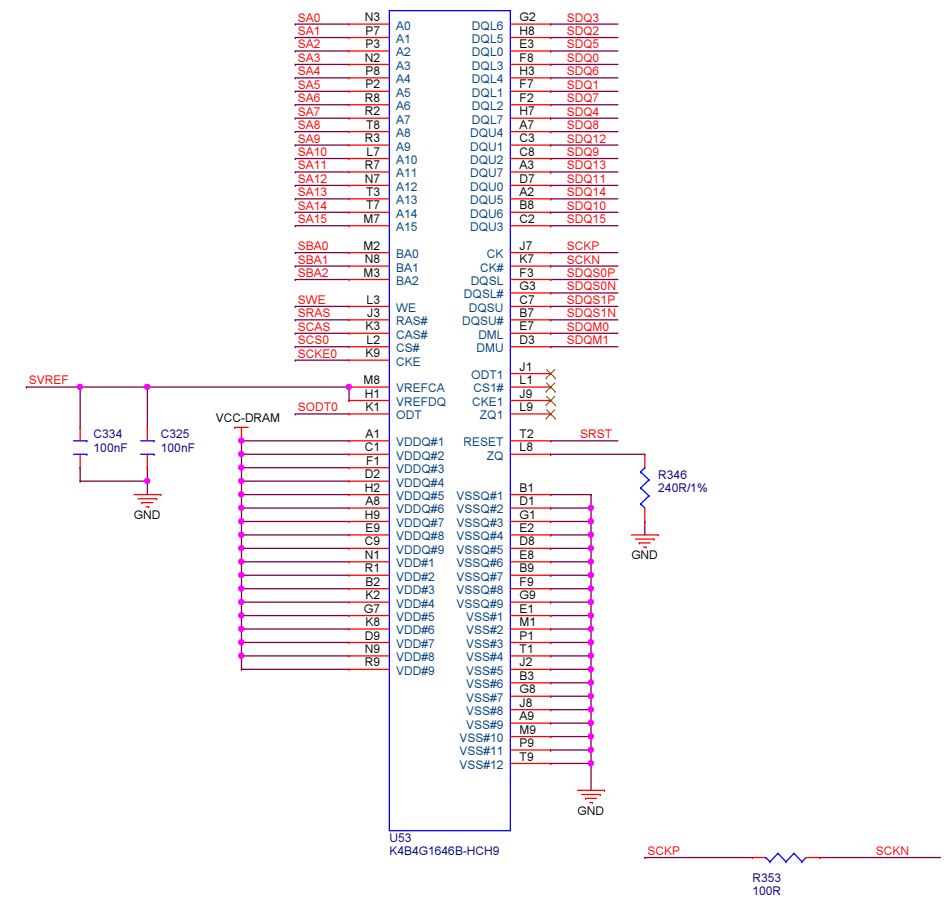
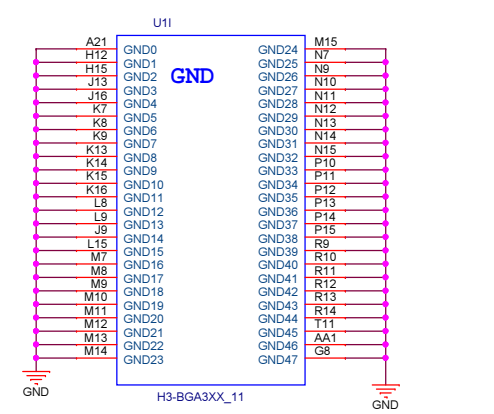
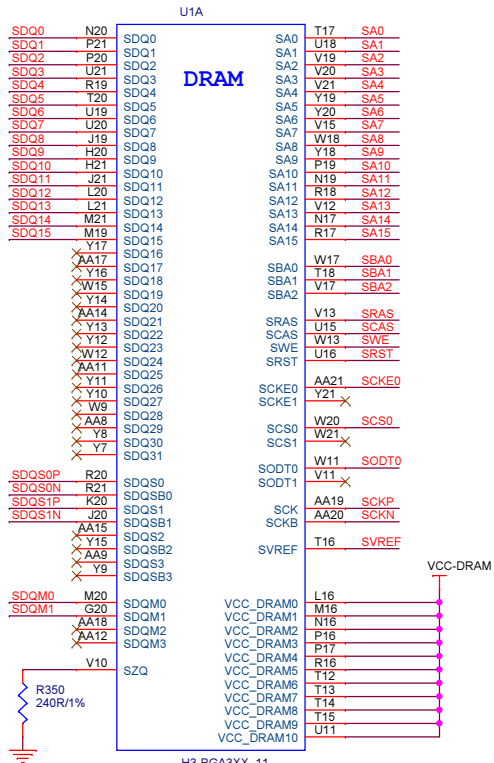
# BLOCK



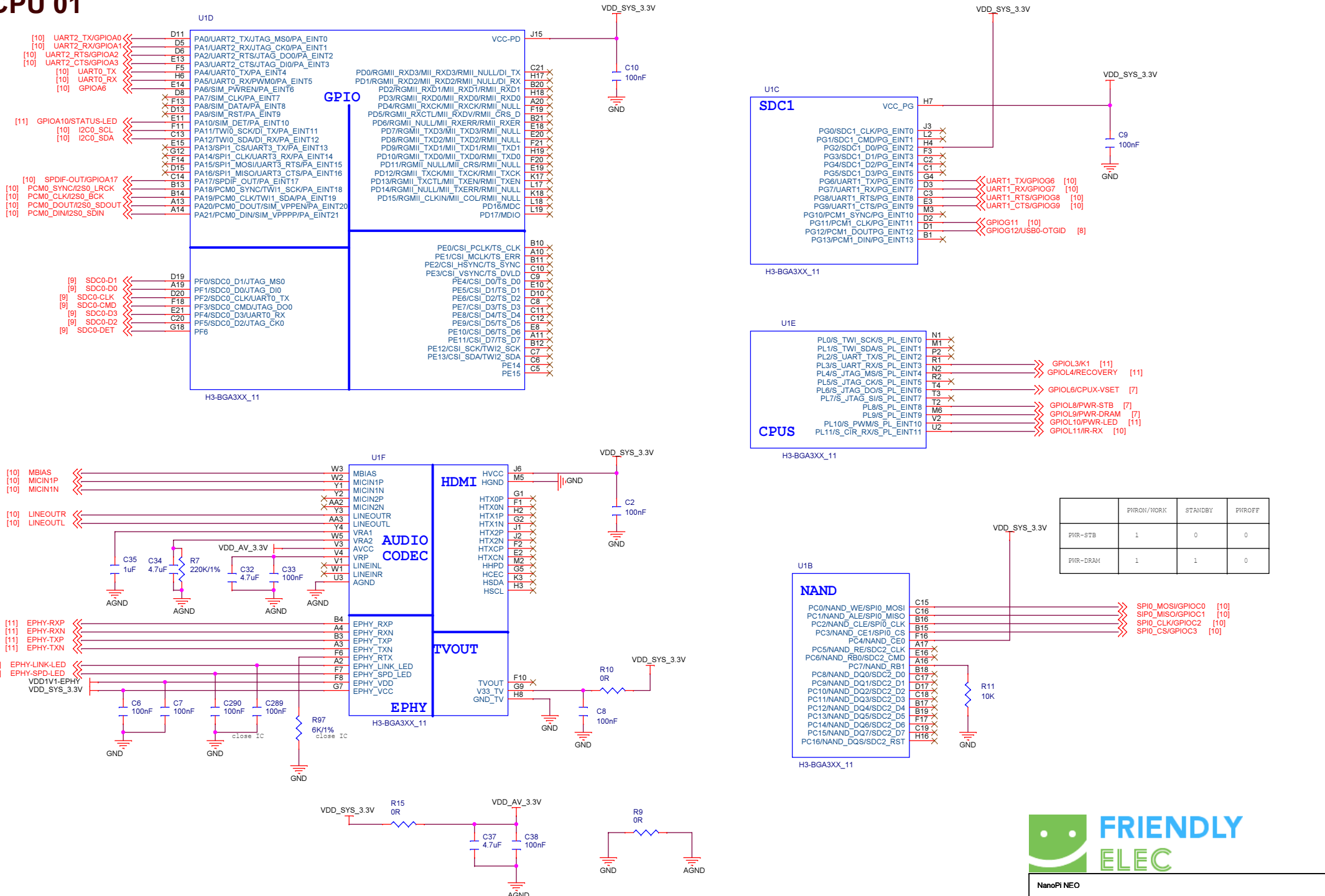
# POWER TREE



# DDR3 16x1



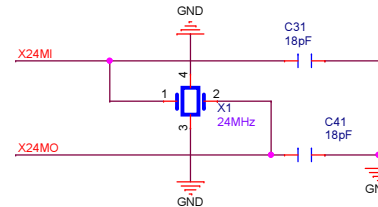
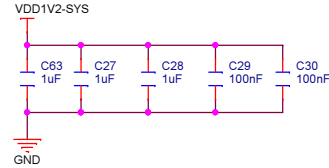
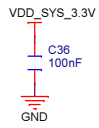
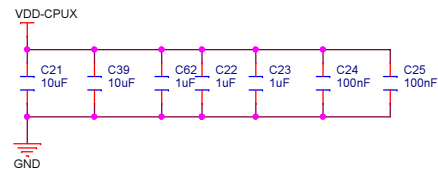
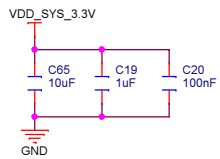
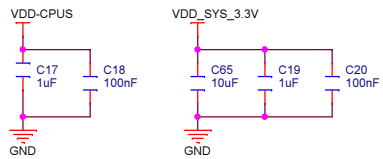
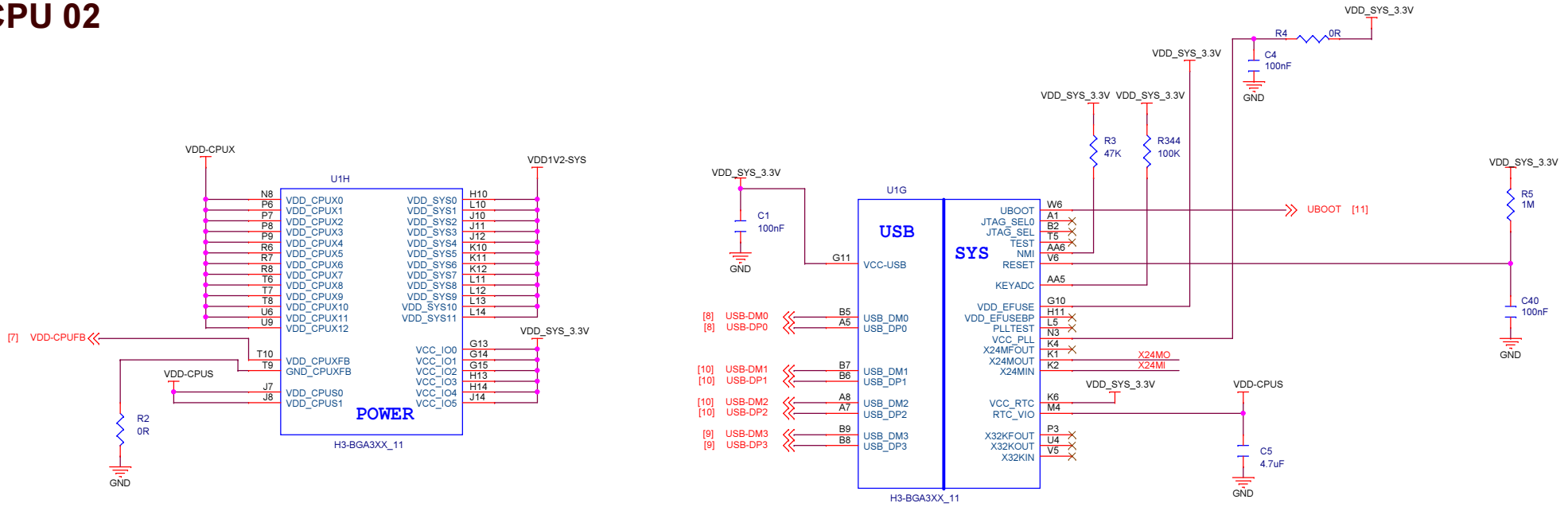
# CPU 01



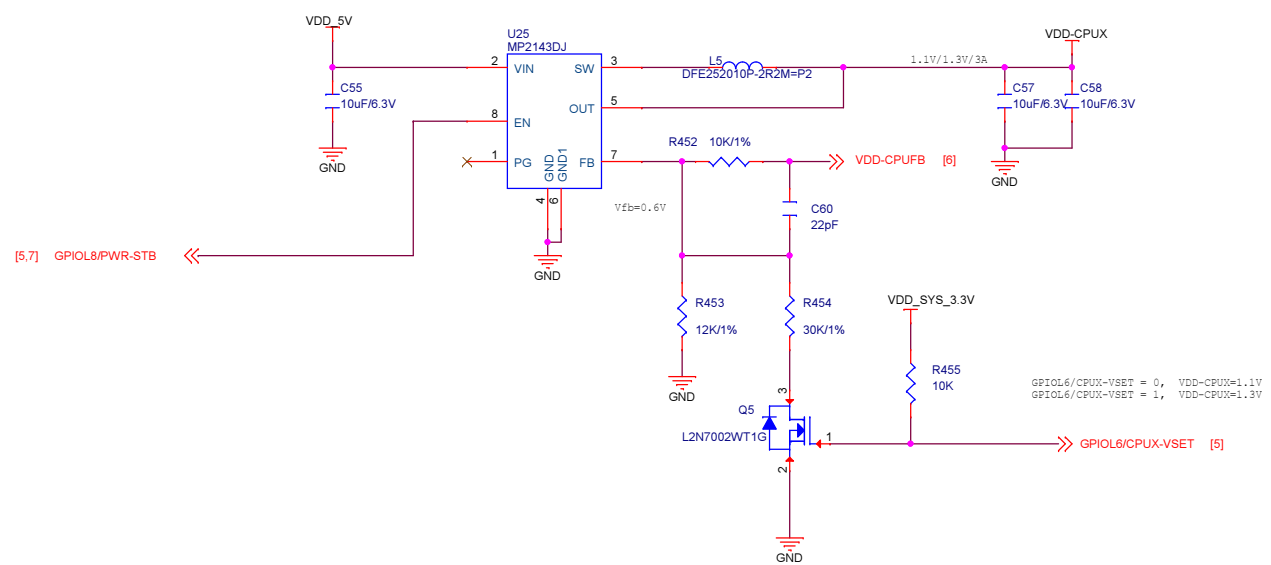
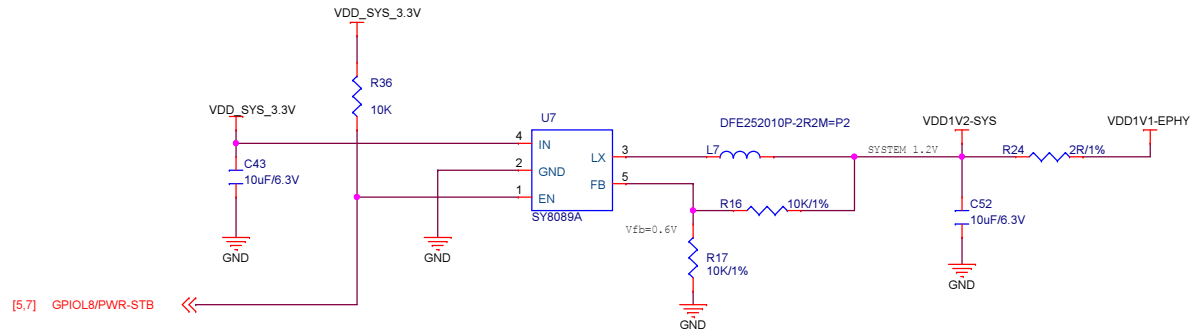
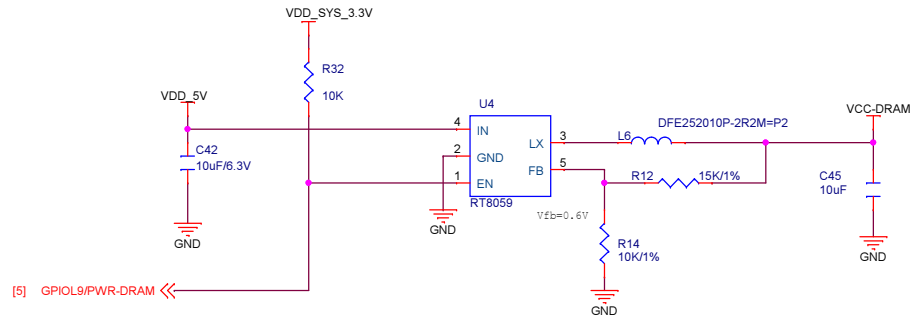
	PWRON/WORK	STANDBY	PWROFF
PWR-STB	1	0	0
PWR-DRAM	1	1	0



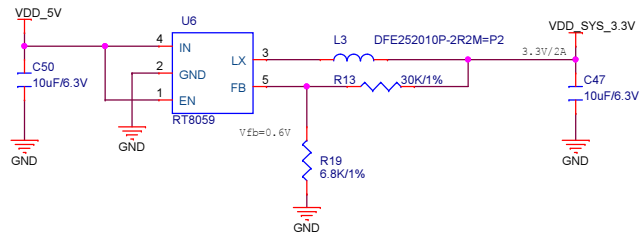
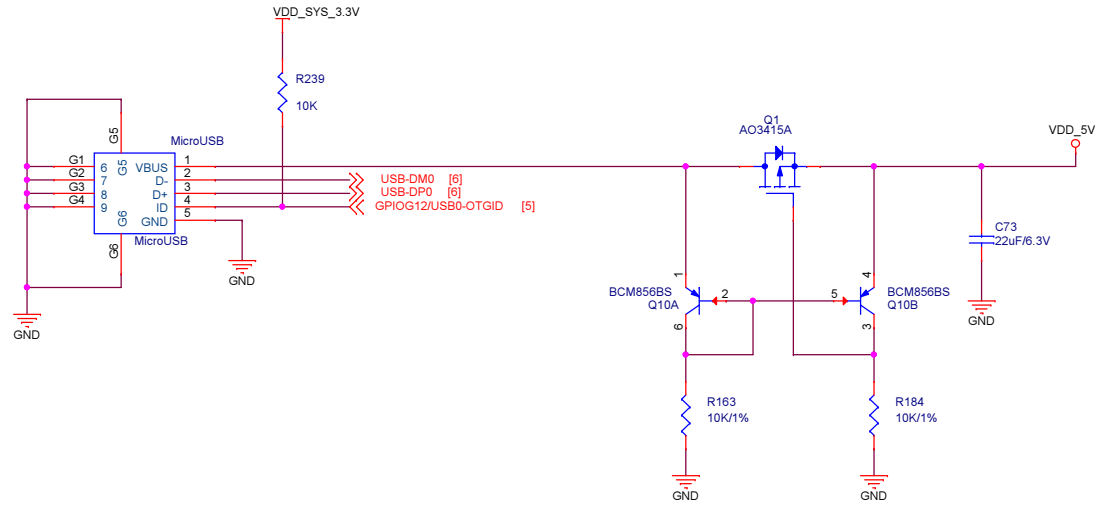
# CPU 02



# POWER 01

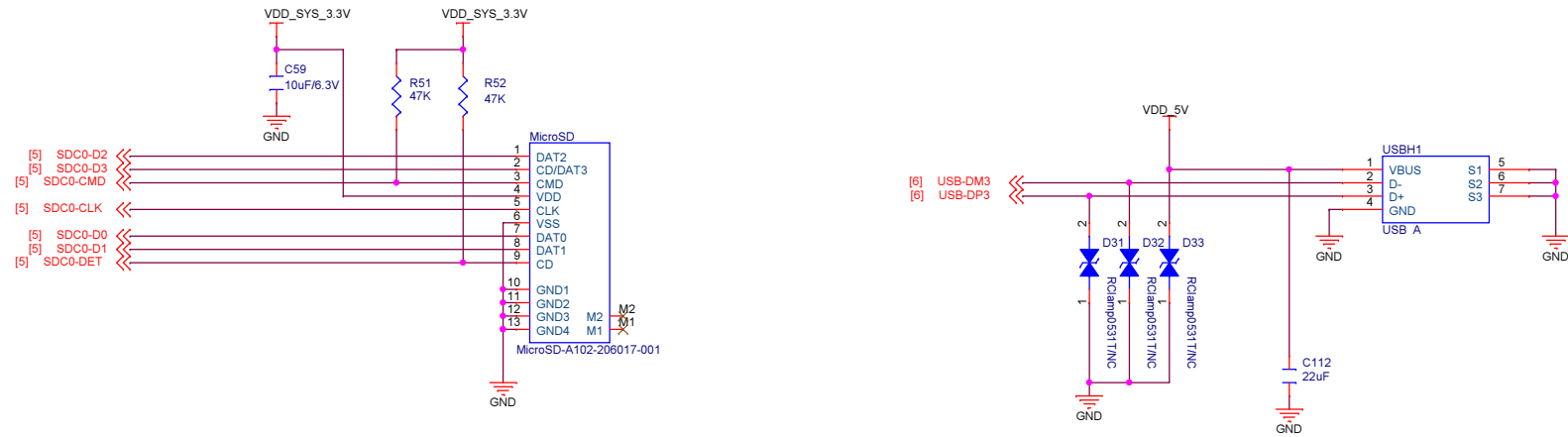


# POWER 02

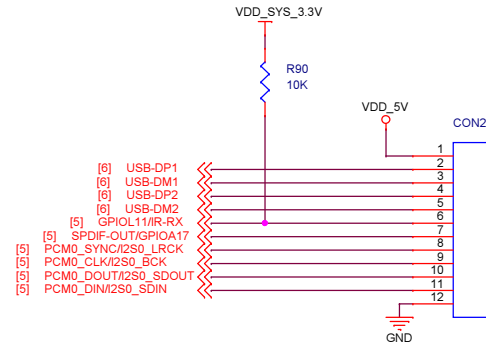
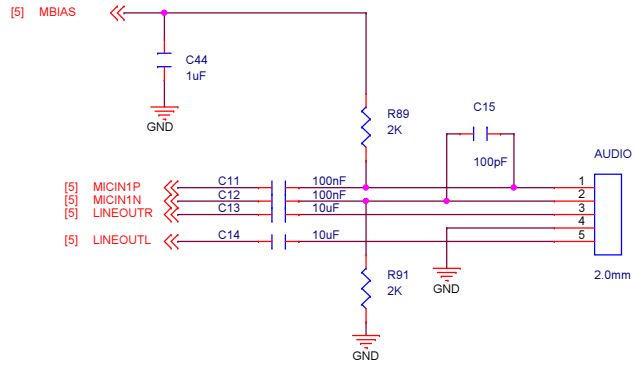
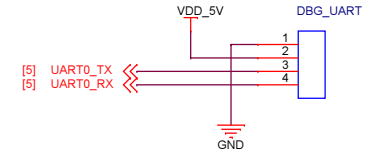
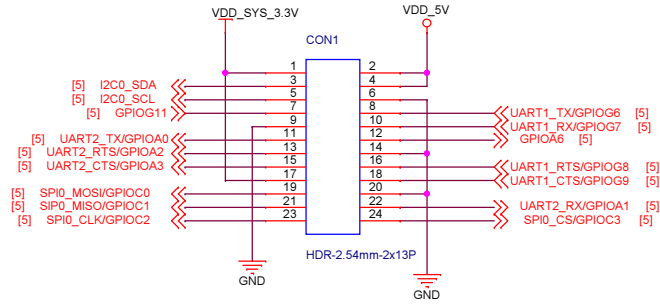




# TF,USB Host



# GPIO



# LEDs, LAN, Keys

