

NanoPC T4

Revision

1802, First Release

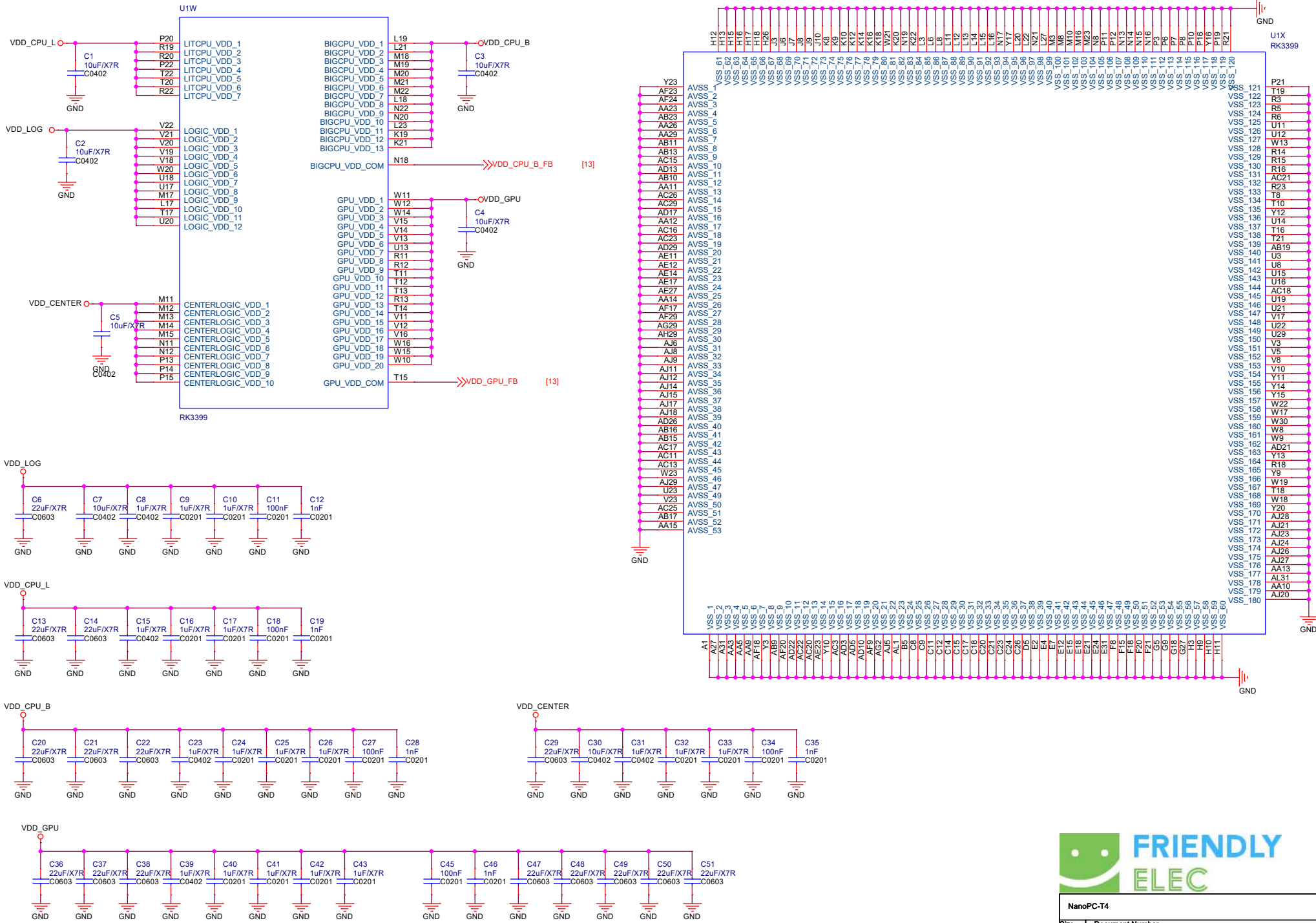
- 1902, 1) Change MIC to 2.54mm Jumper
2) Add Power On Mode Select Jumper J1
3) Change Type-C Connetor to SMT type
4) Change USB Power Switch to SY6280AAC

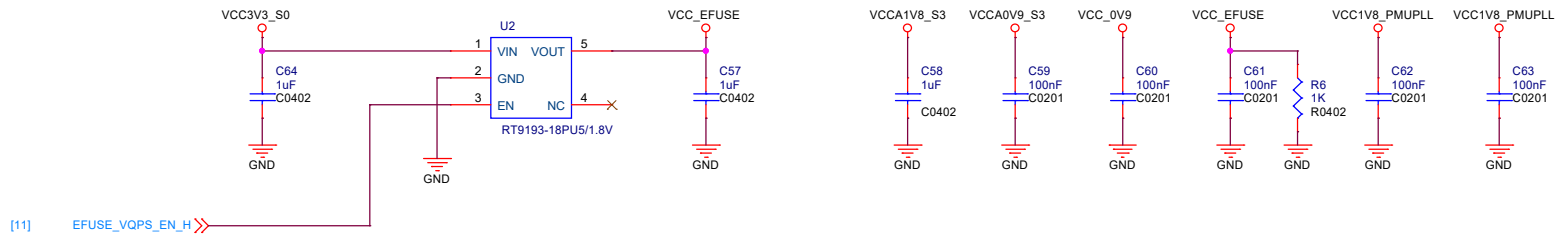
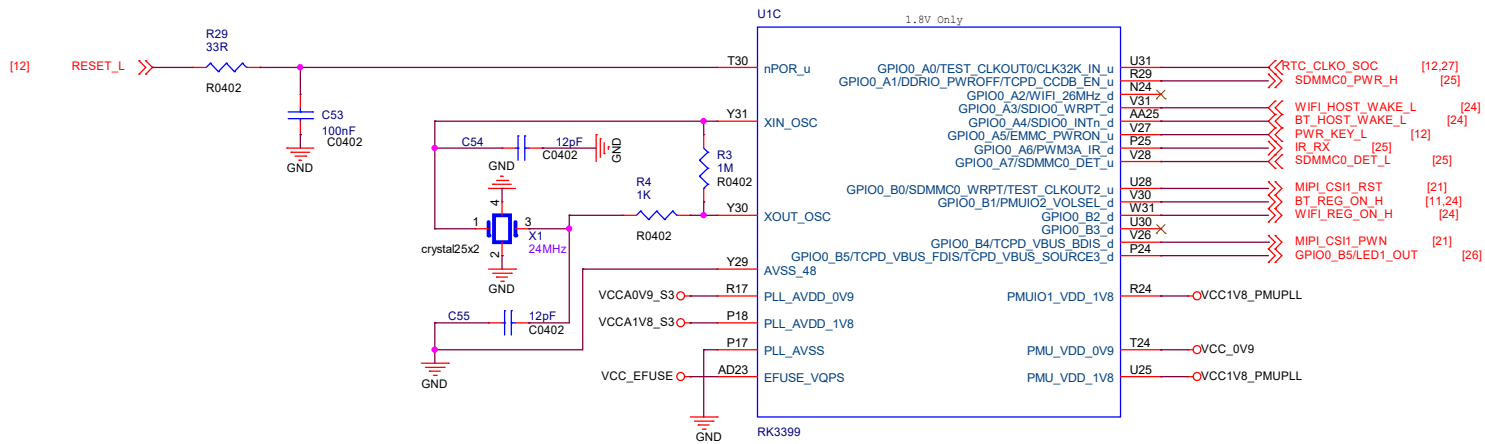
I2C device list :

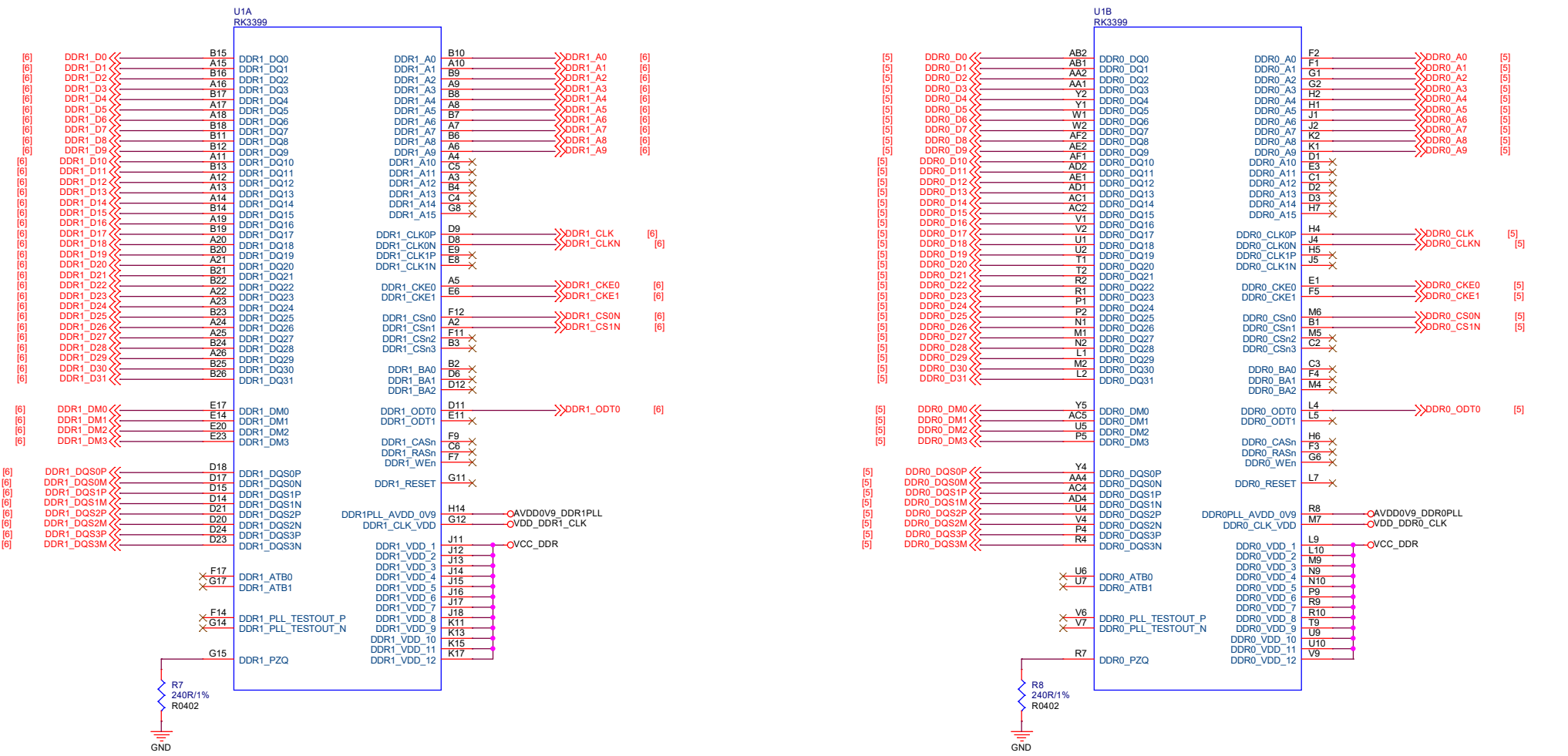
I2C0 (3V), SYR838PKC, SYR837, RK808-D
I2C1 (1.8V) CSI0, ALC5651
I2C2 (1.8V) CSI1, M.2
I2C3
I2C4 (1.8V), FUSB302MPX, LCD Touch
I2C5
I2C6
I2C7 (1.8V) HDMI
I2C8



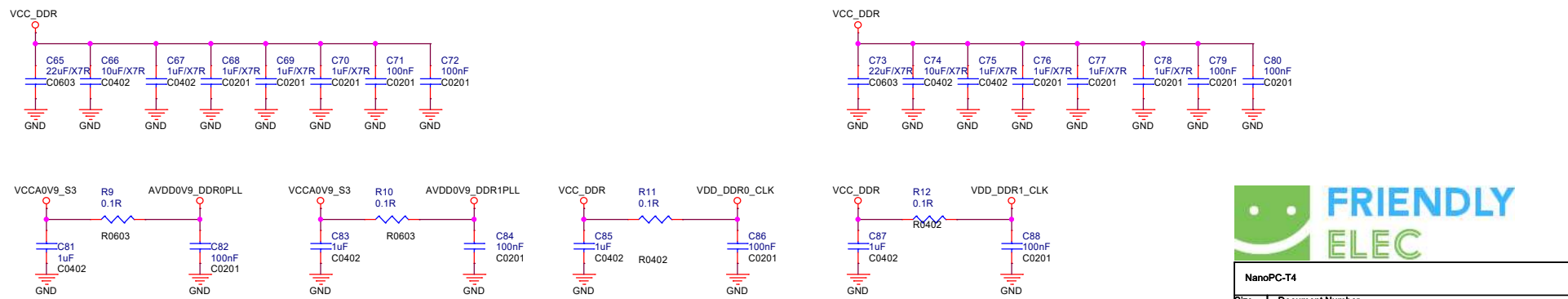
NanoPC-T4		
Size A3	Document Number 01.Title	Rev 1902
Date: Monday, May 11, 2020	Sheet 1	of 29



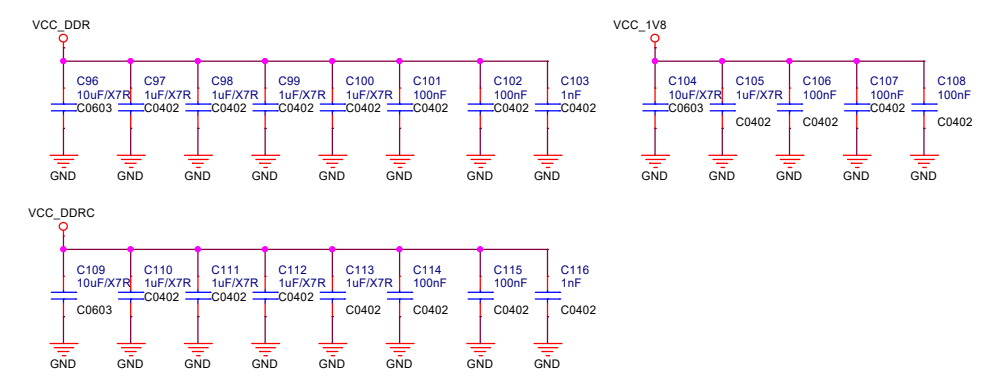
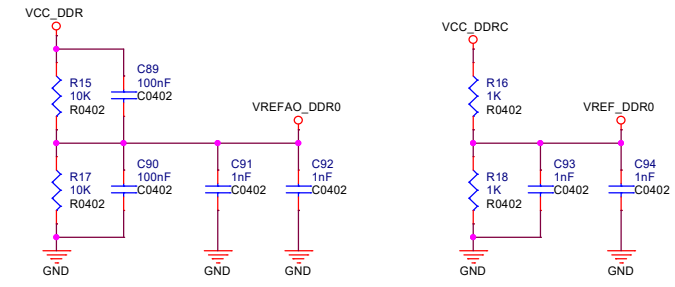
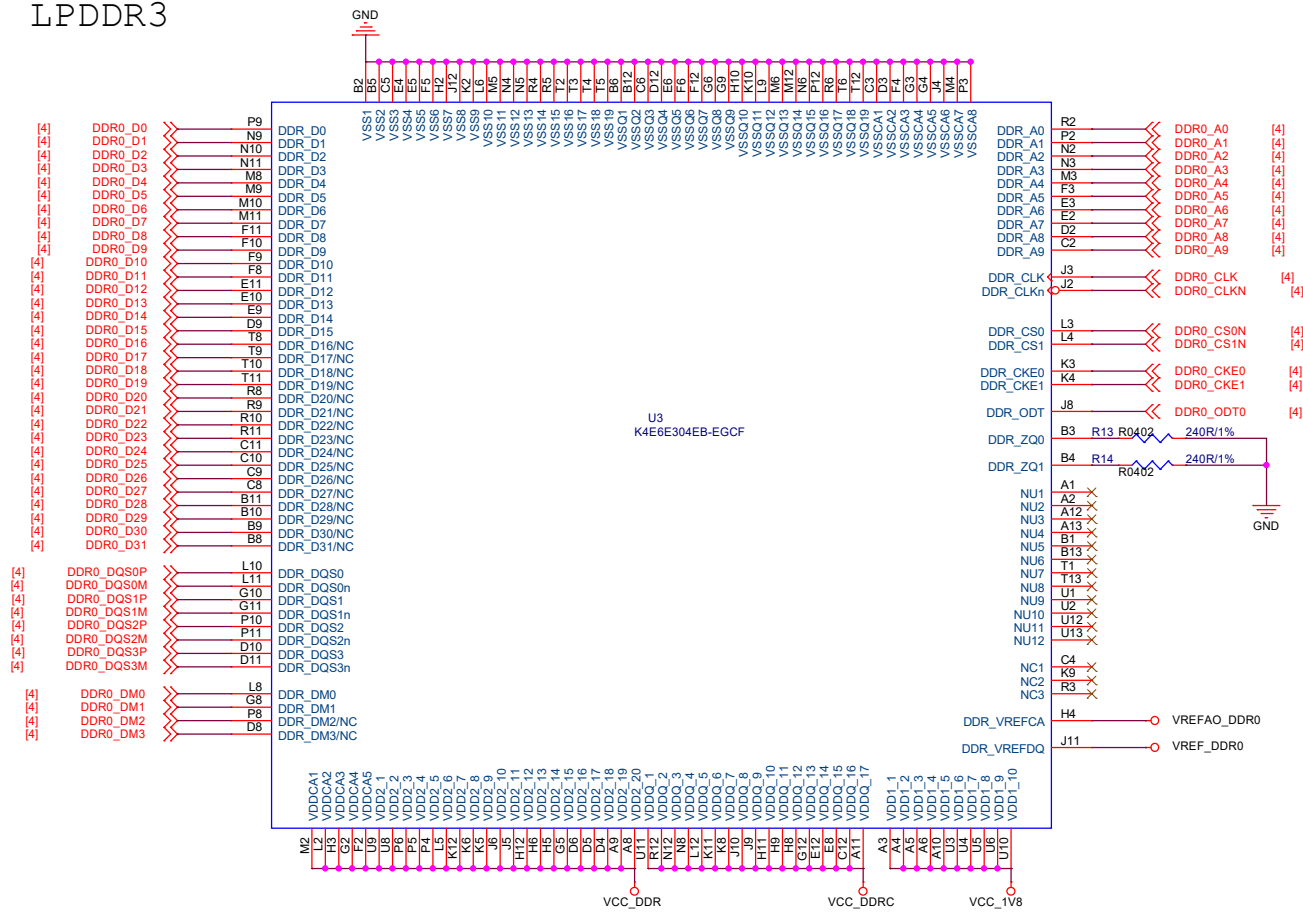




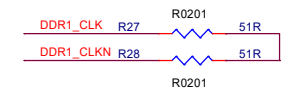
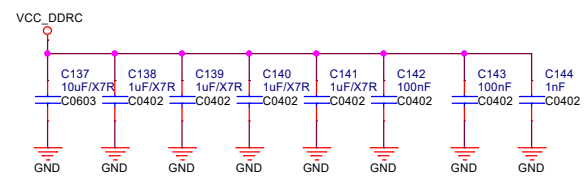
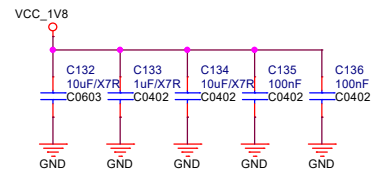
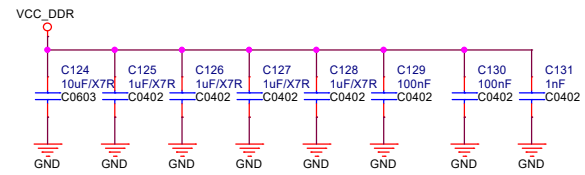
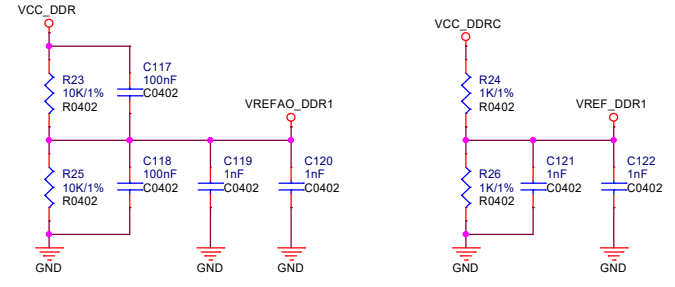
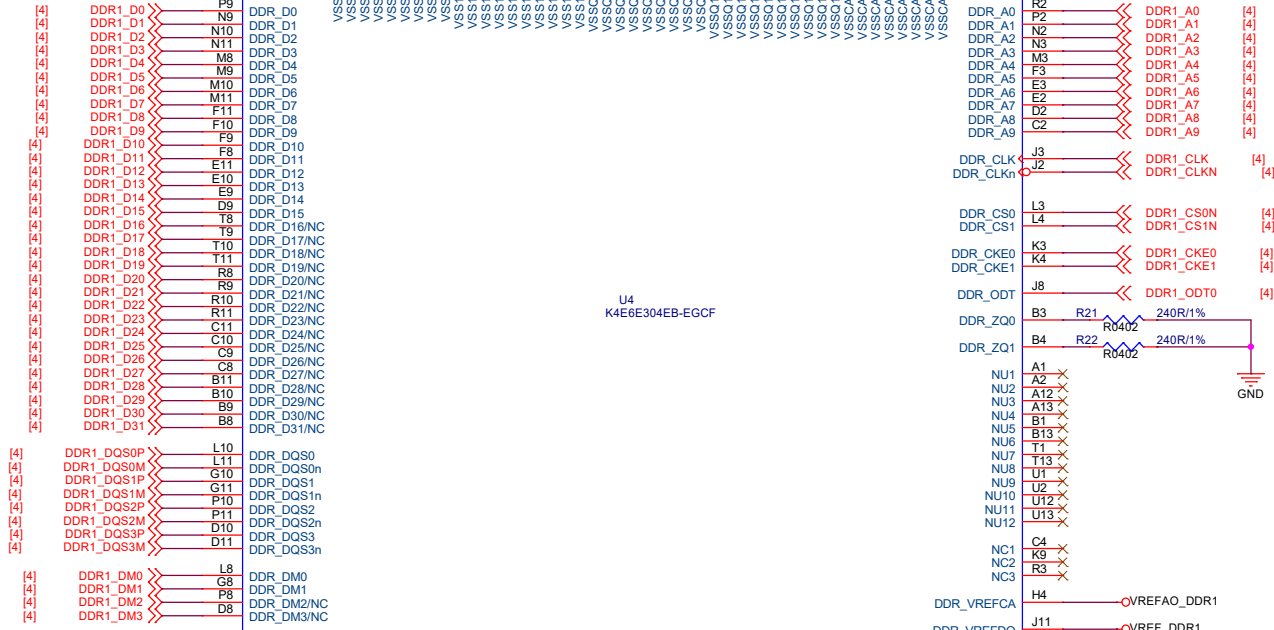
DDR FILTER

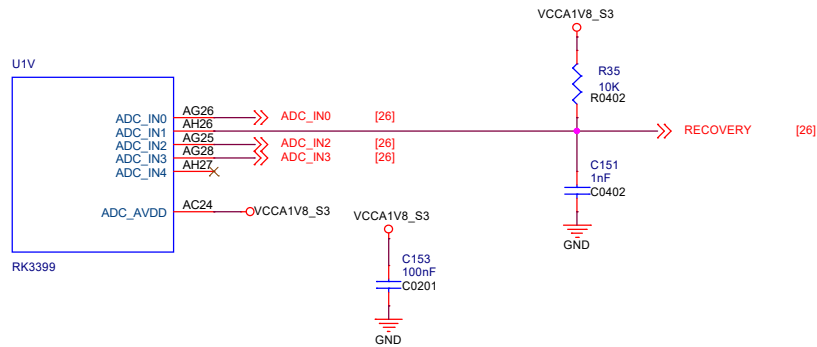
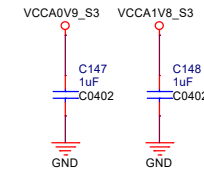
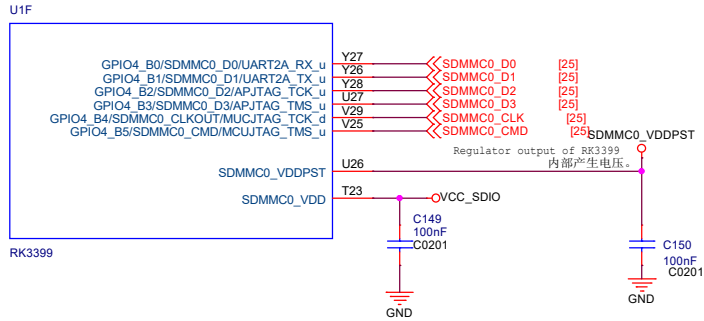
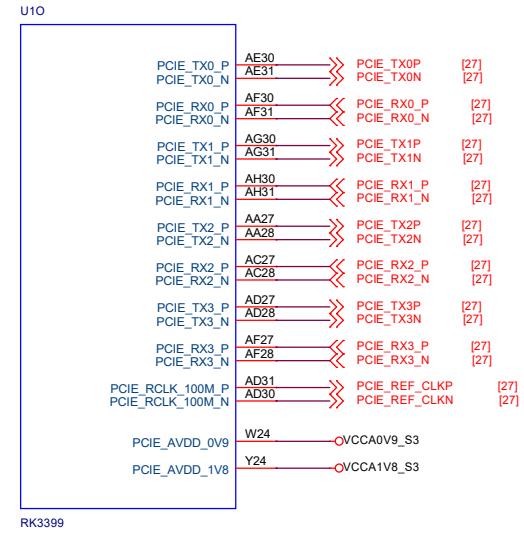
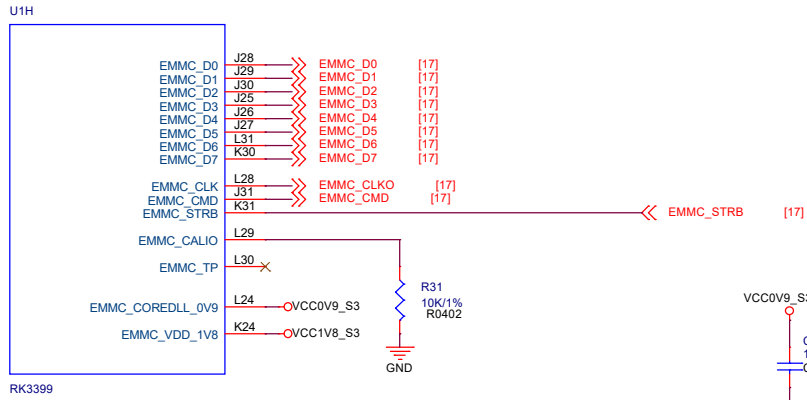


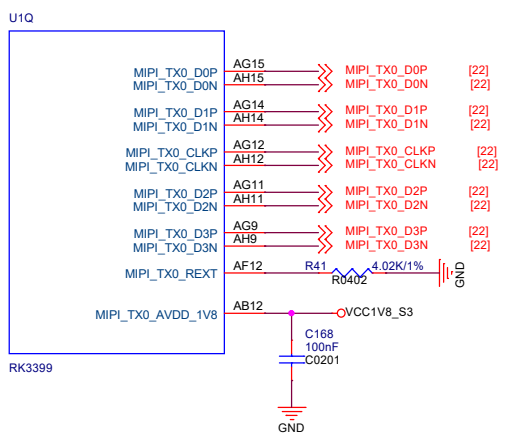
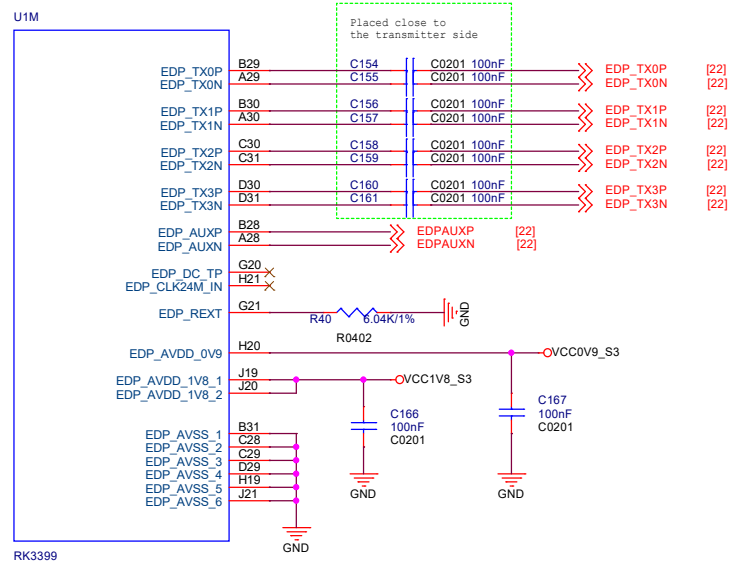
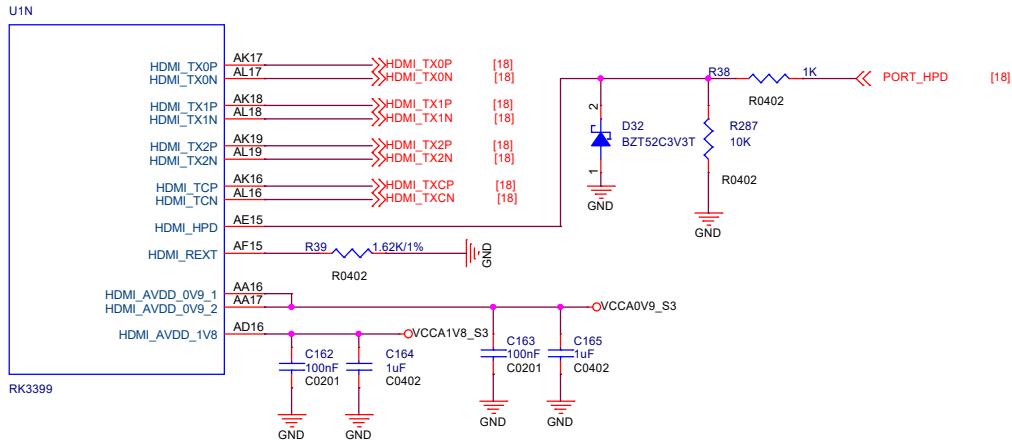
LPDDR3

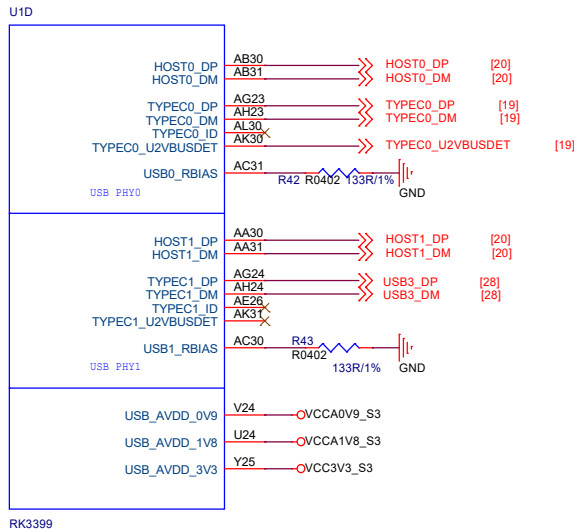


LPDDR3

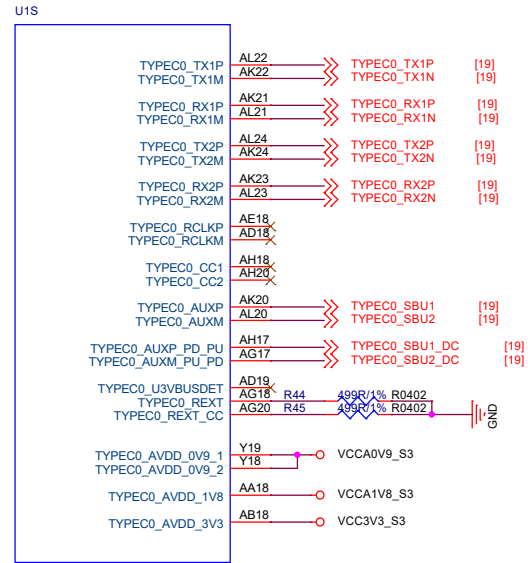
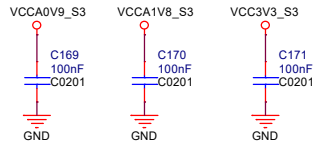




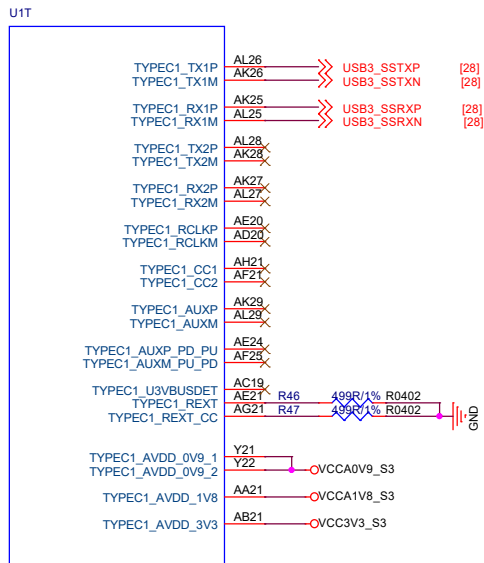
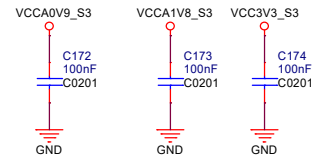




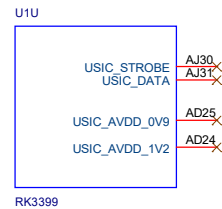
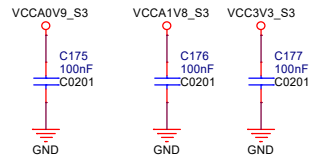
RK3399



RK3399

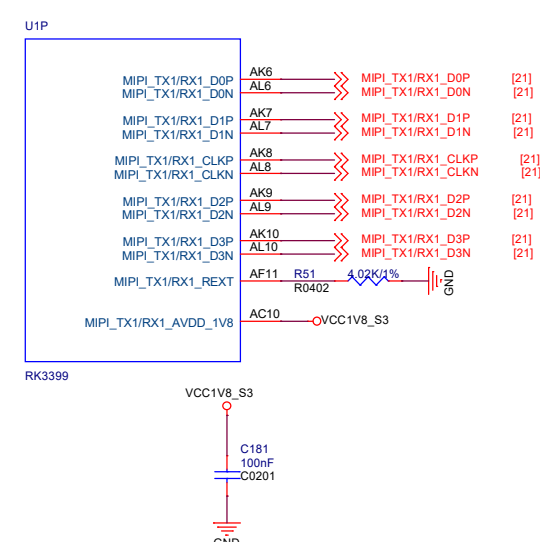
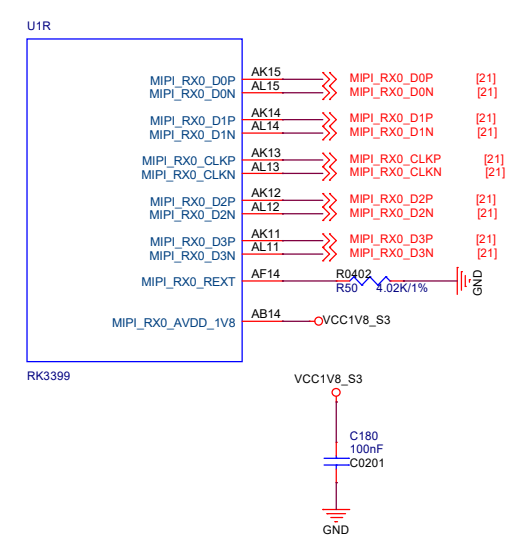
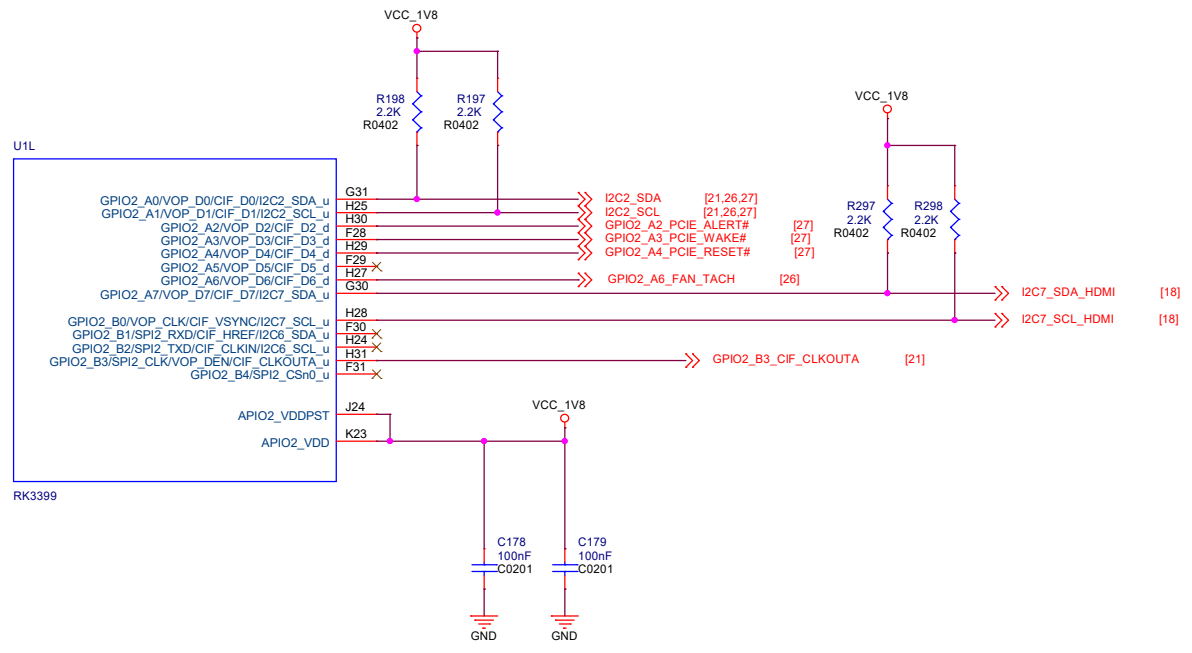


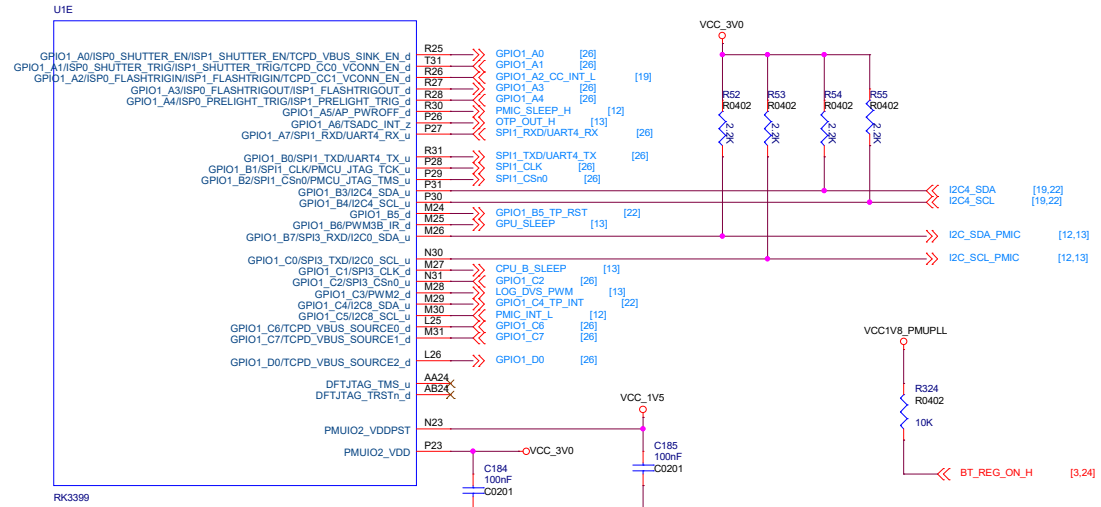
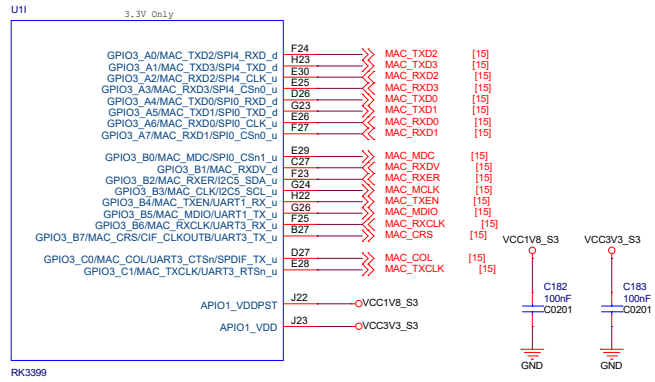
RK3399



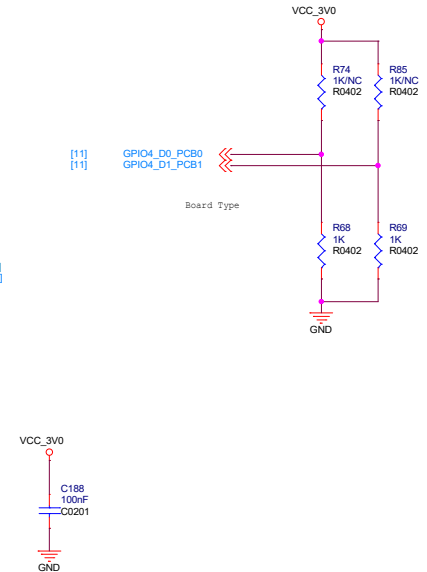
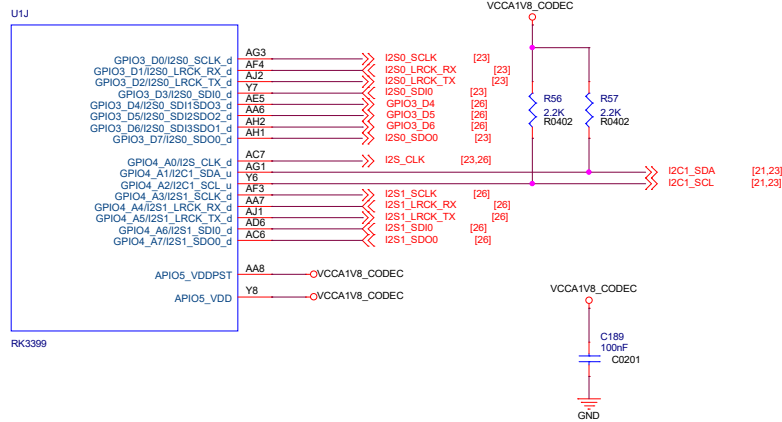
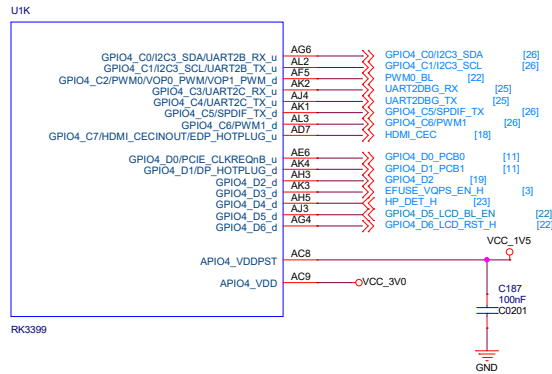
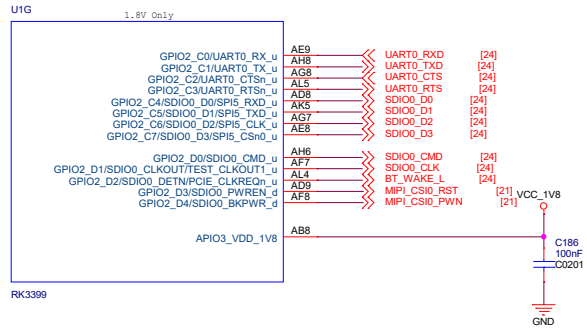
RK3399

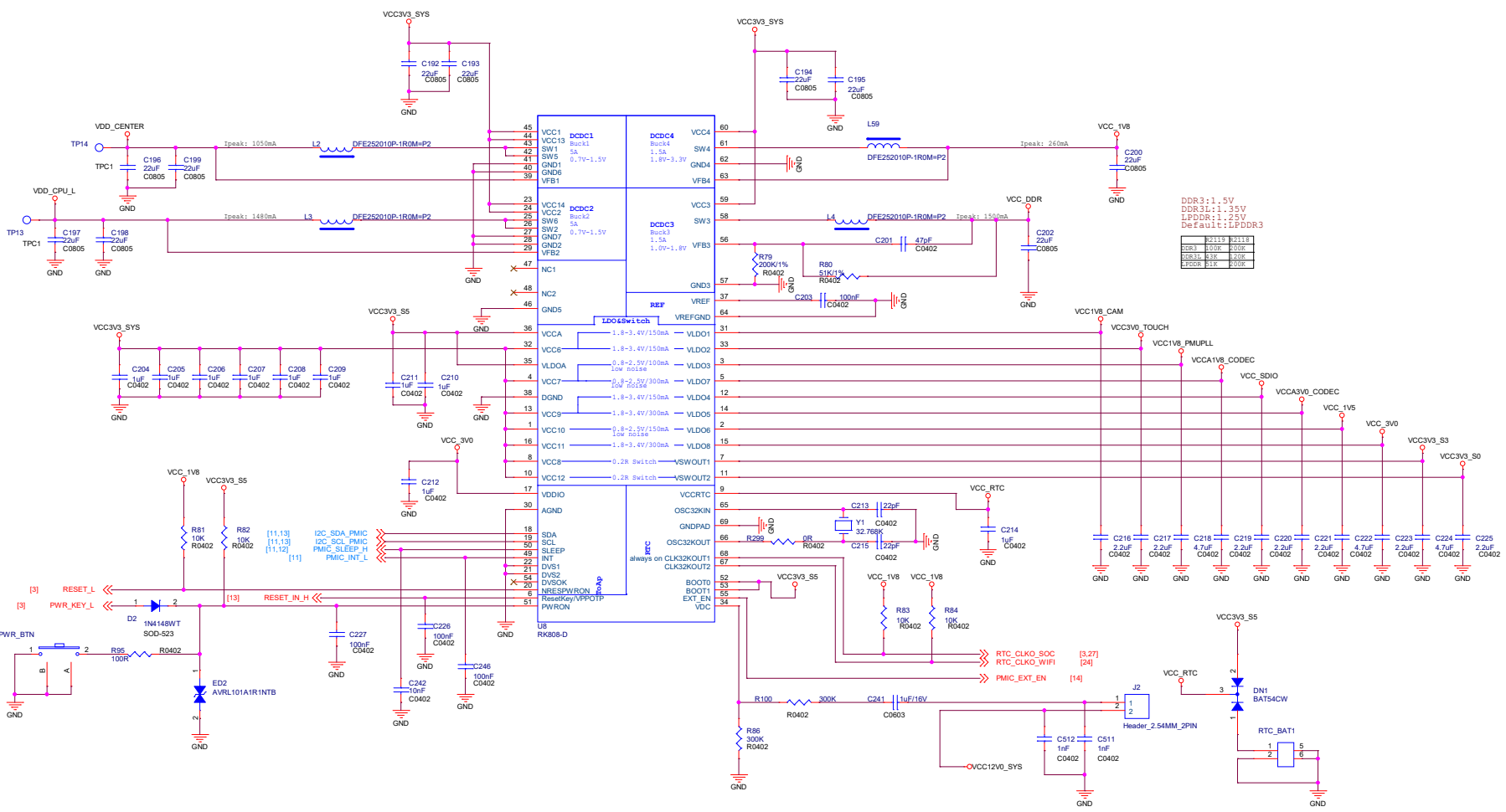


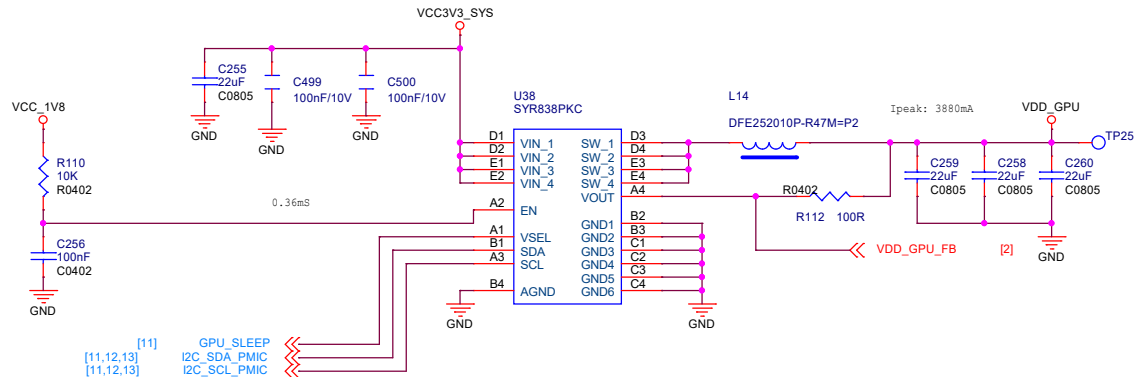




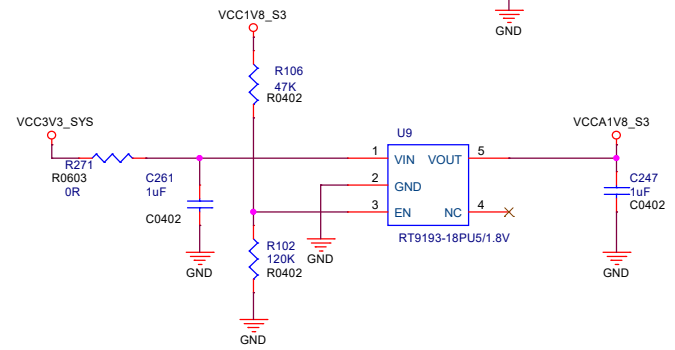
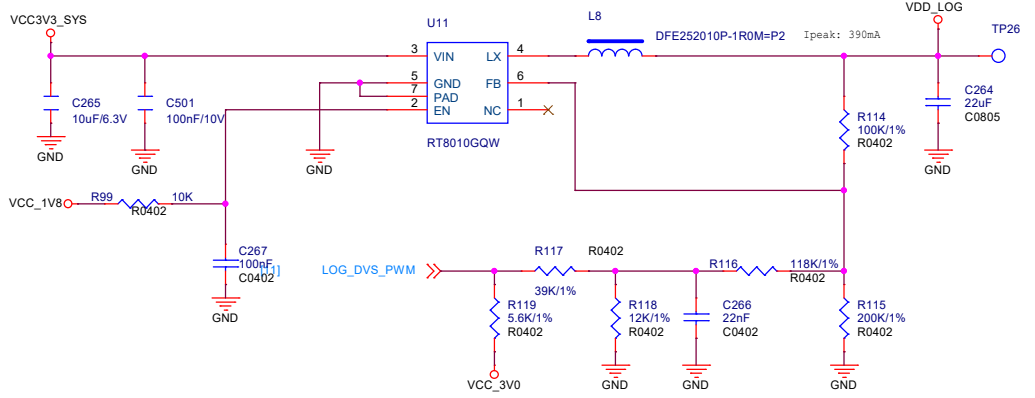
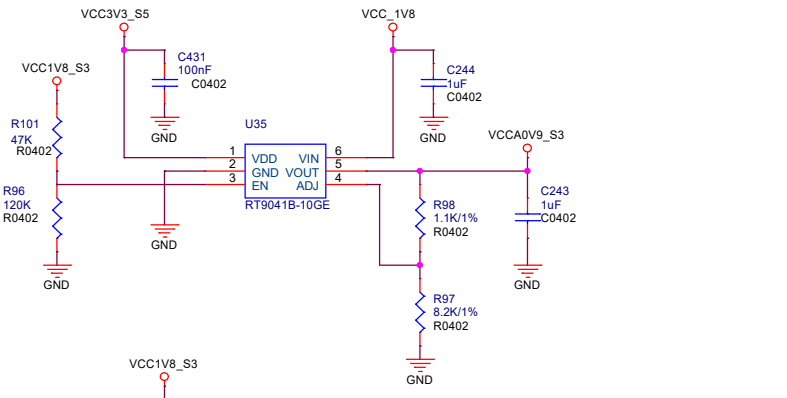
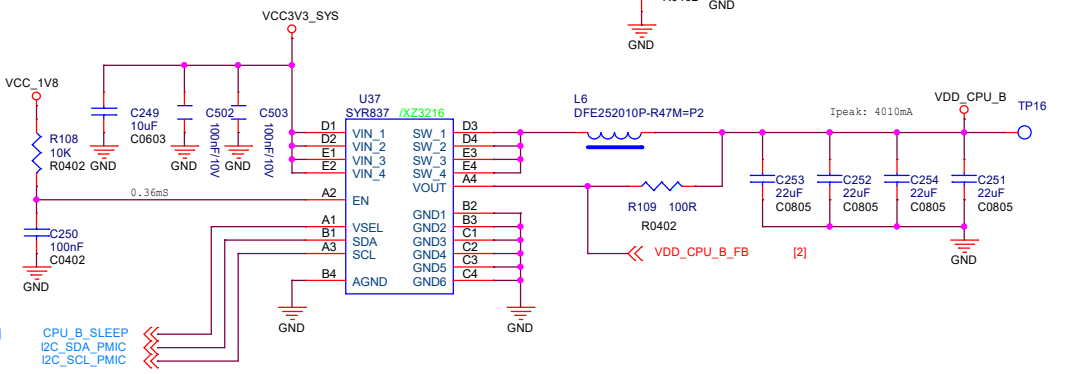
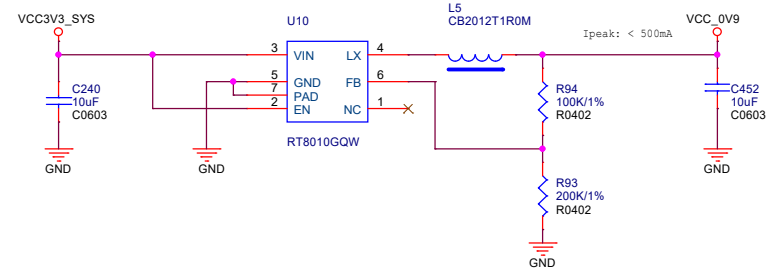
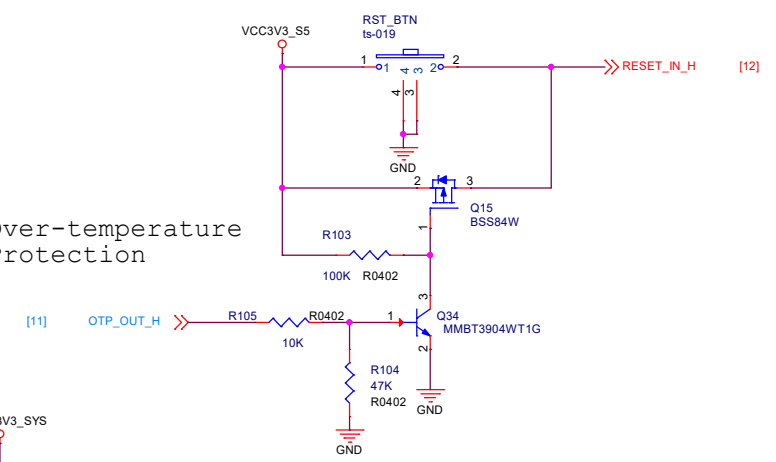
1.8V Only	VDDPST=VDDIO=1.8V
3.3V Only	VDDPST=1.8V, VDDIO=3.3V
other	3.0V mode: VDDPST=1.5V, VDDIO=3.0V 1.8V mode: VDDPST=1.8V, VDDIO=1.8V



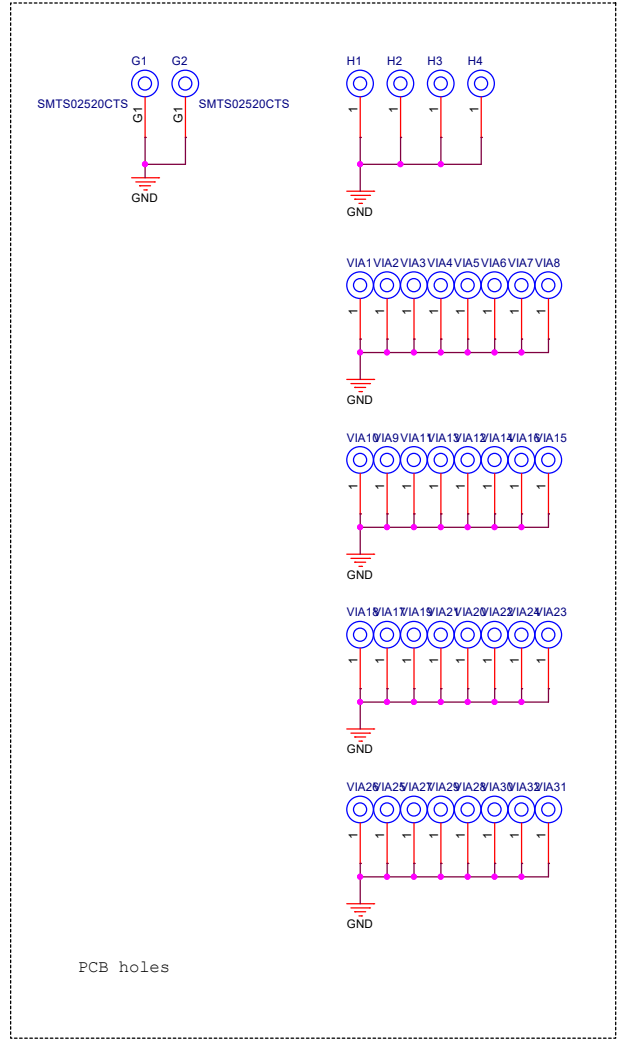
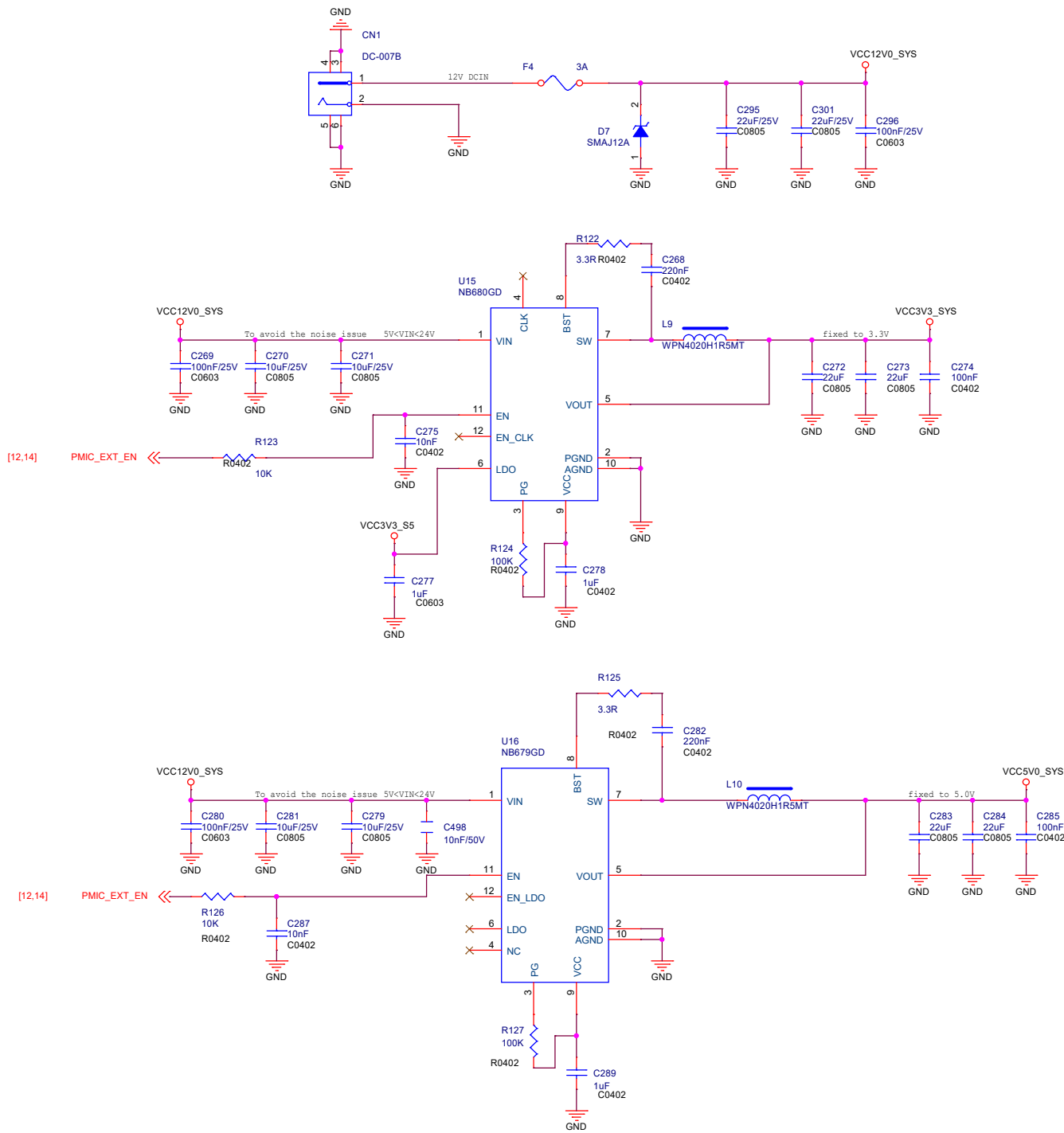




Over-temperature Protection

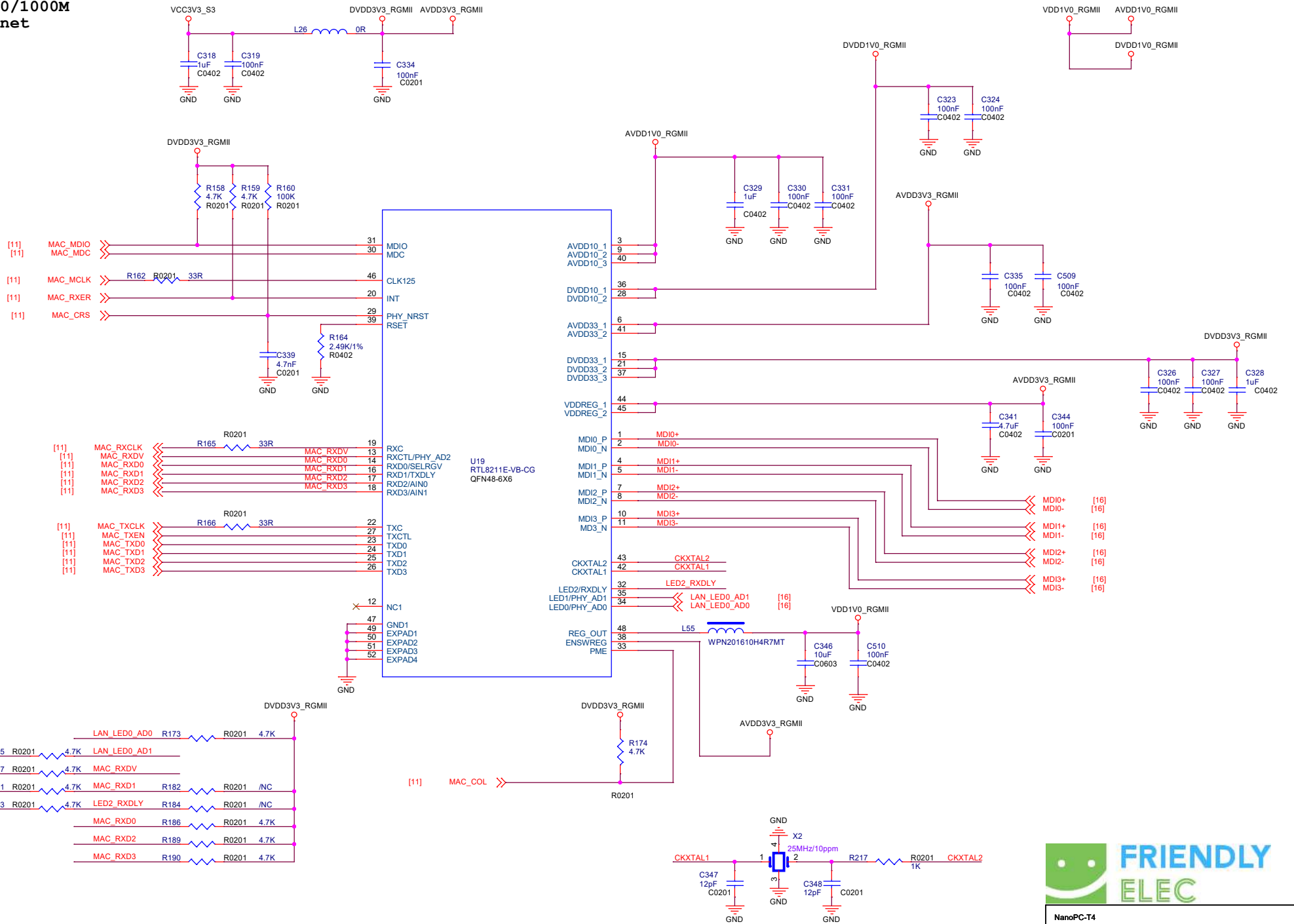


NanoPC-T4		
Size	Document Number	Rev
A3	13.Power2-CPU/GPU/etc	1902
Date:	Monday, May 11, 2020	Sheet 13 of 29

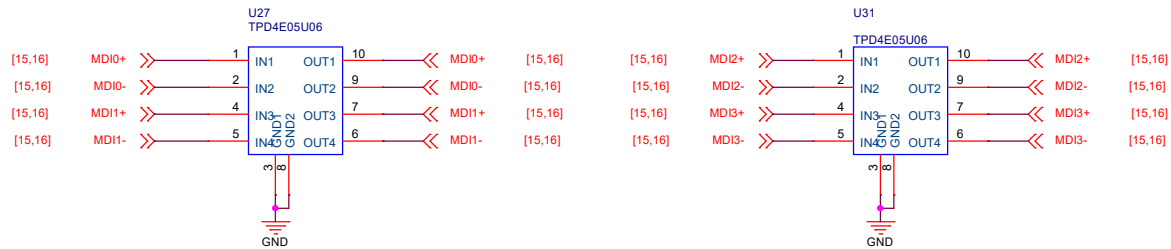
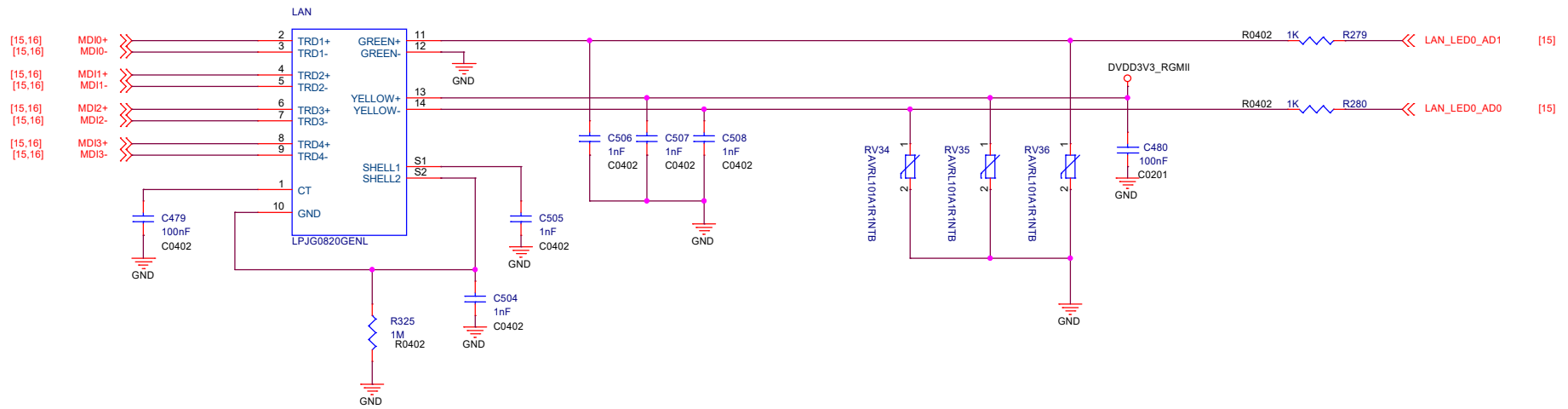


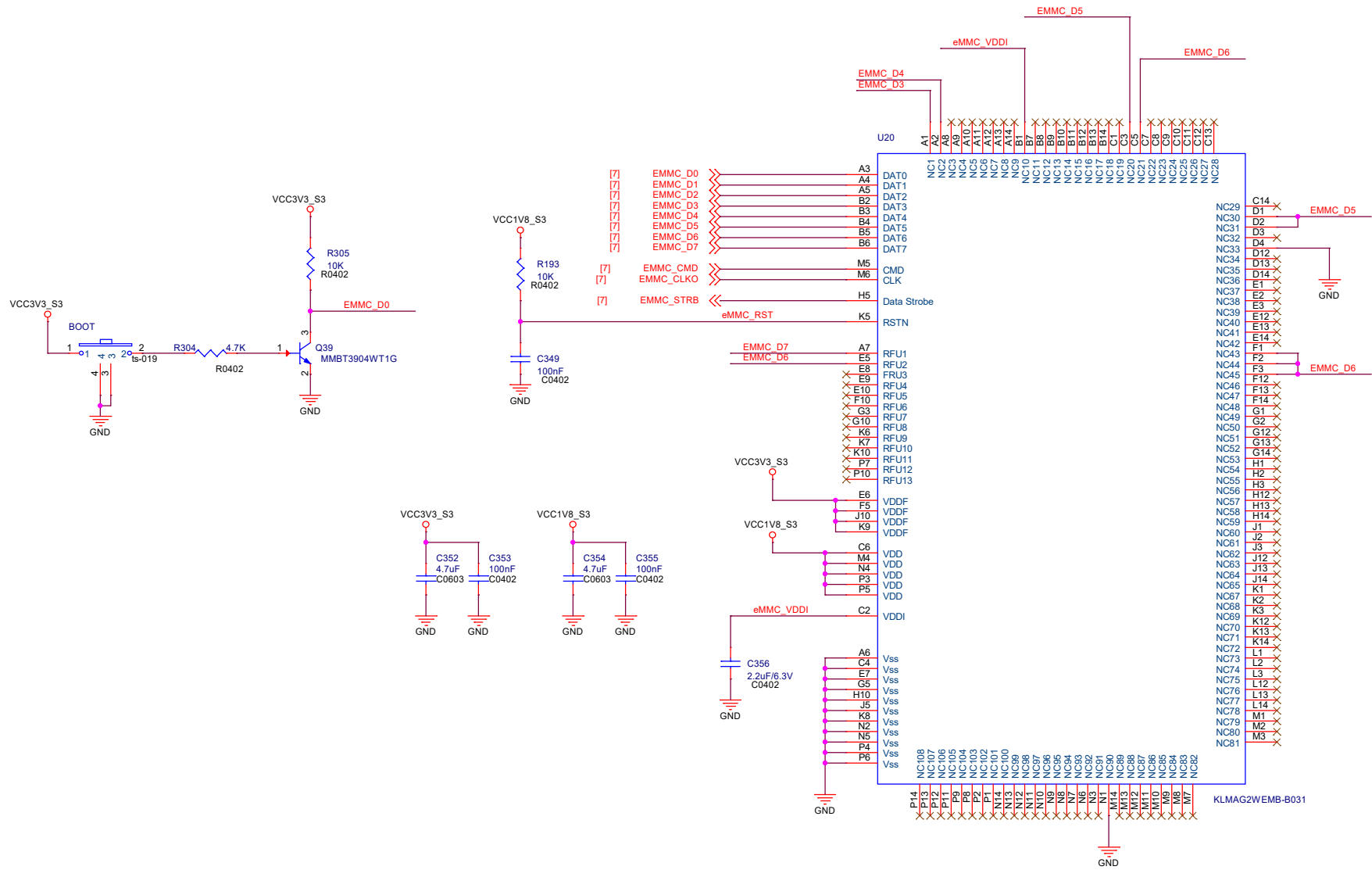
NanoPC-T4		
Size A3	Document Number 14.Power3-3.3V/5V	Rev 1902
Date: Monday, May 11, 2020	Sheet 14	of 29

10/100/1000M Ethernet

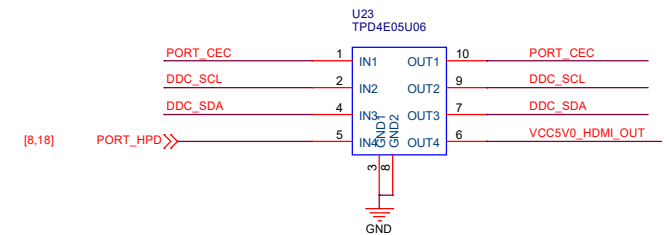
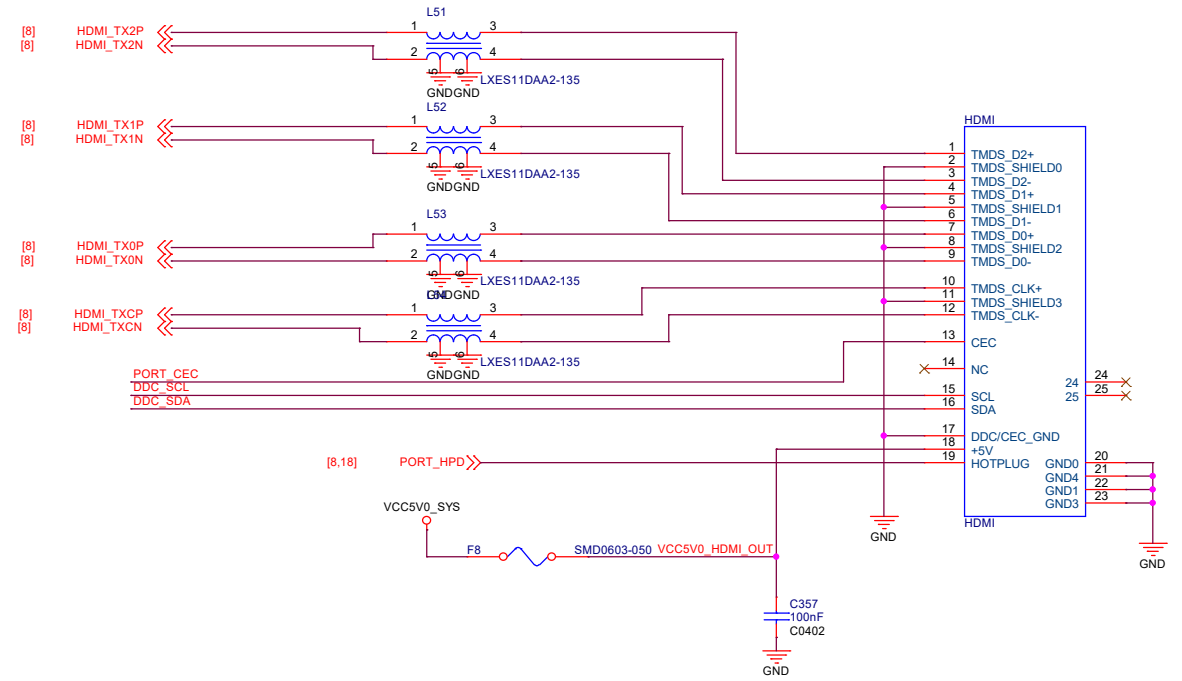
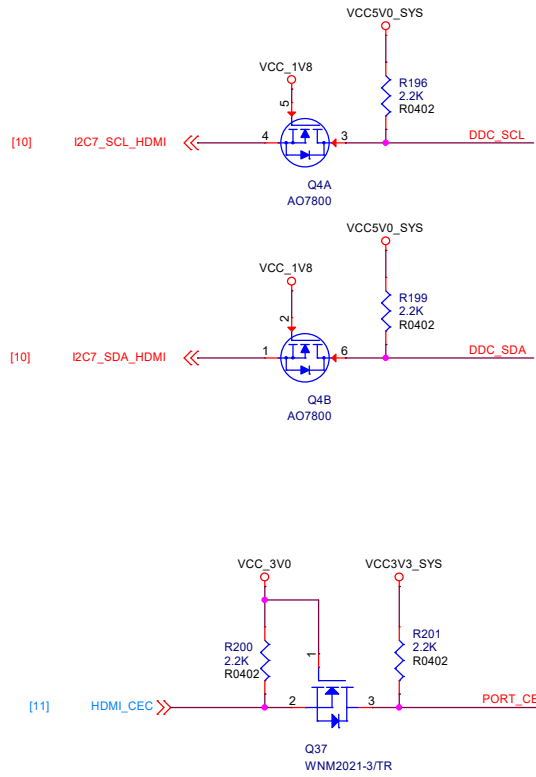


NanoPC-T4		
Size A3	Document Number 15.RGMII-10/100/1000M	Rev 1902
Date: Monday, May 11, 2020	Sheet 15	of 29

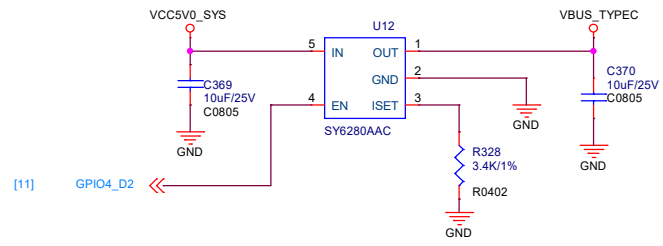
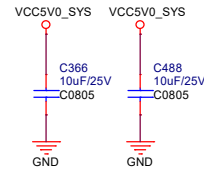
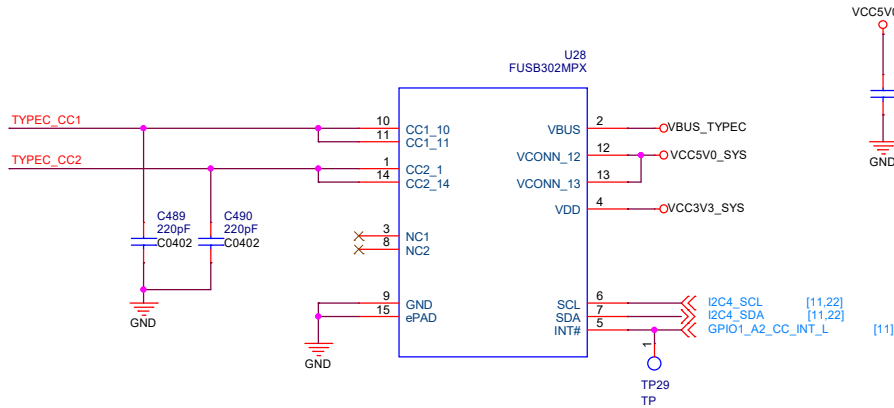
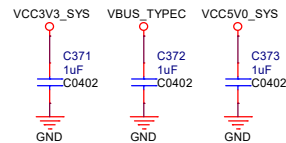
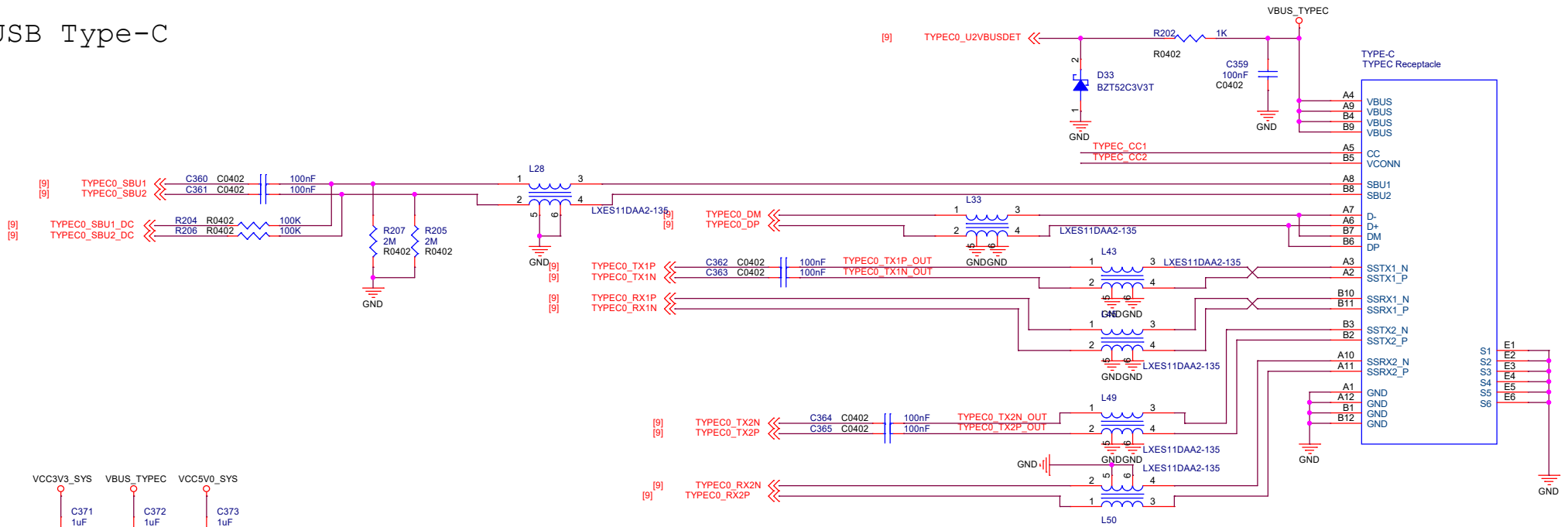




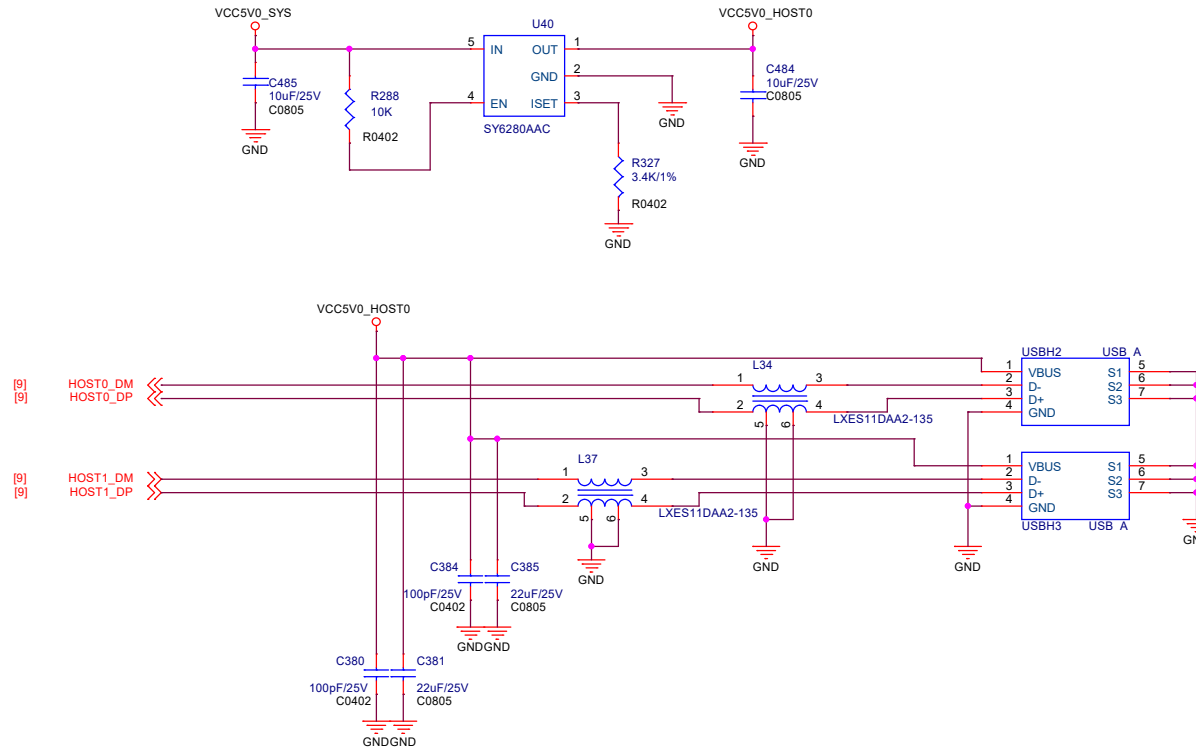
HDMI Port



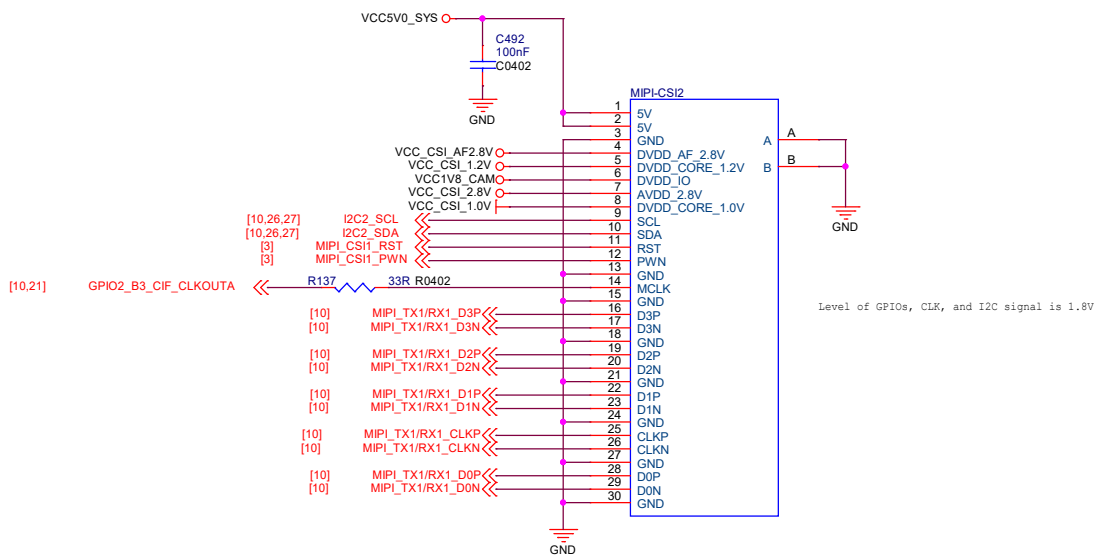
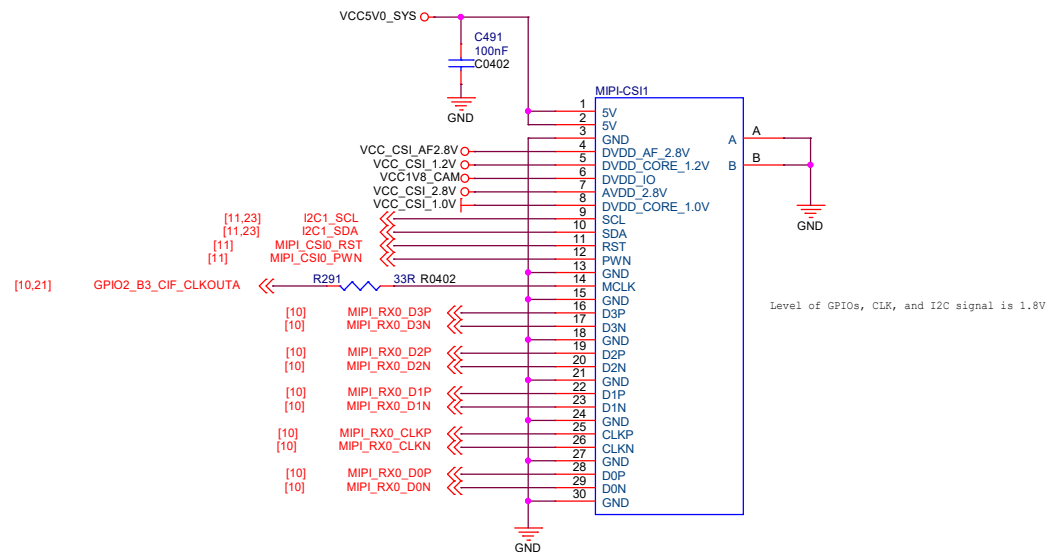
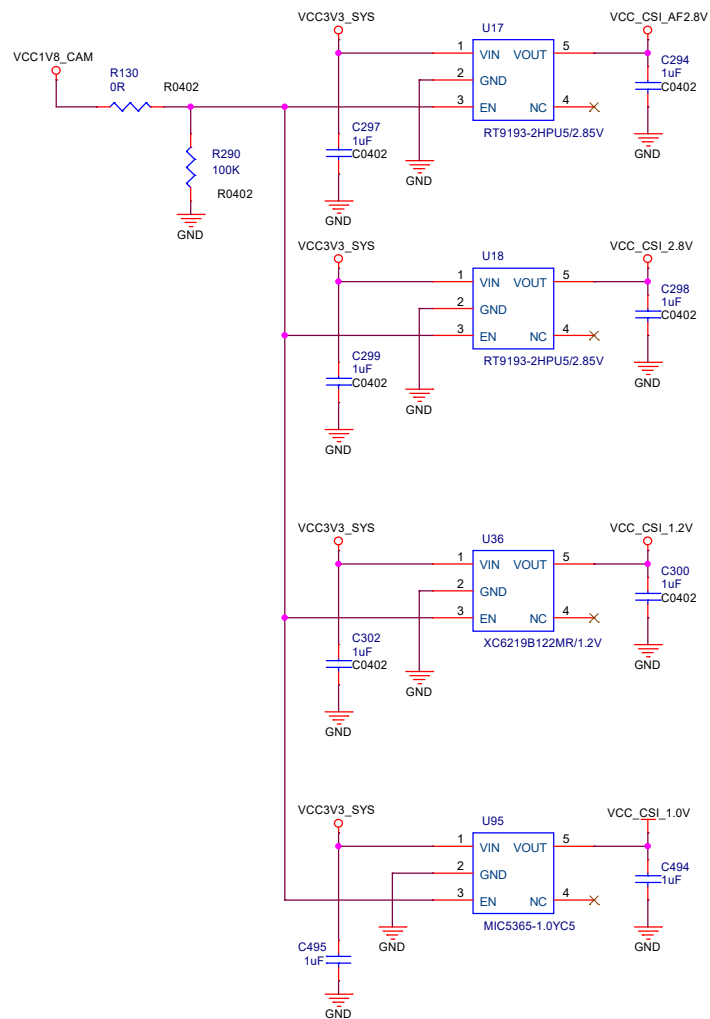
USB Type-C

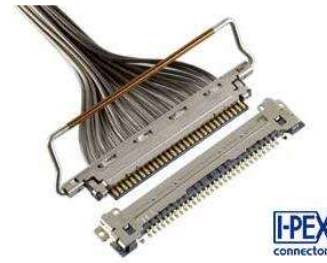
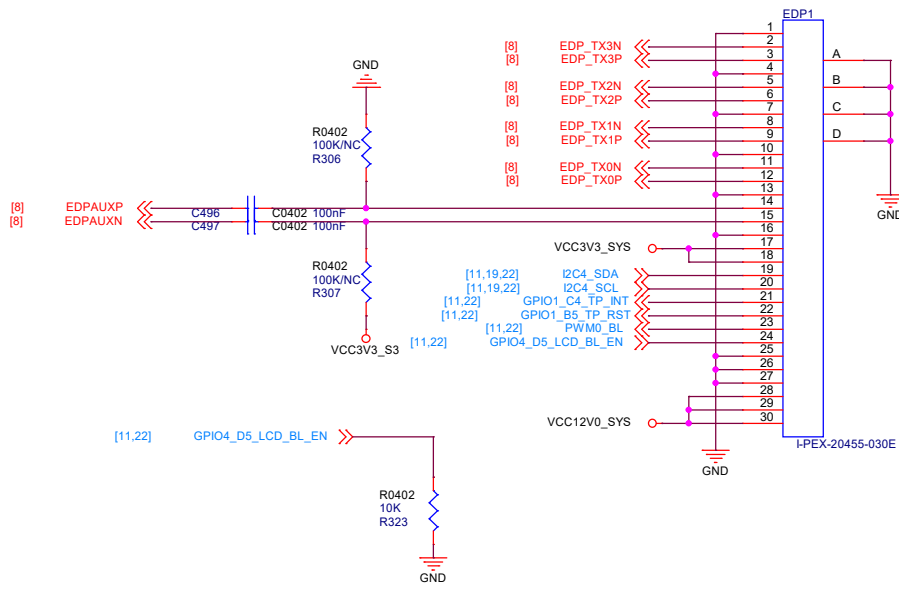
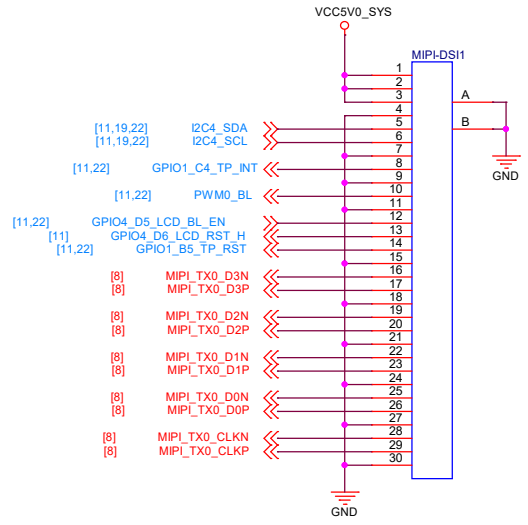


USB2.0 Host

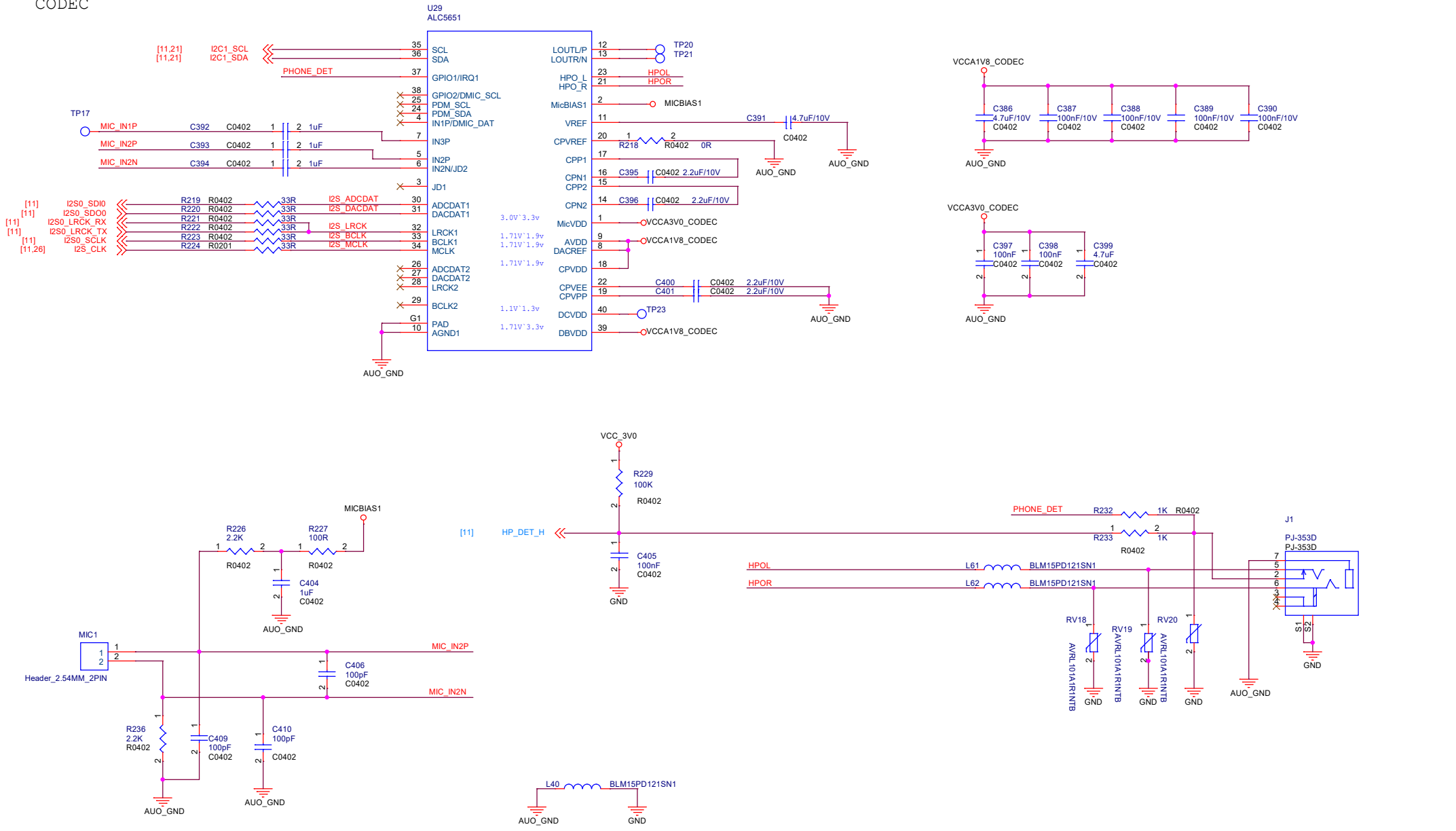


MIPI-CSI

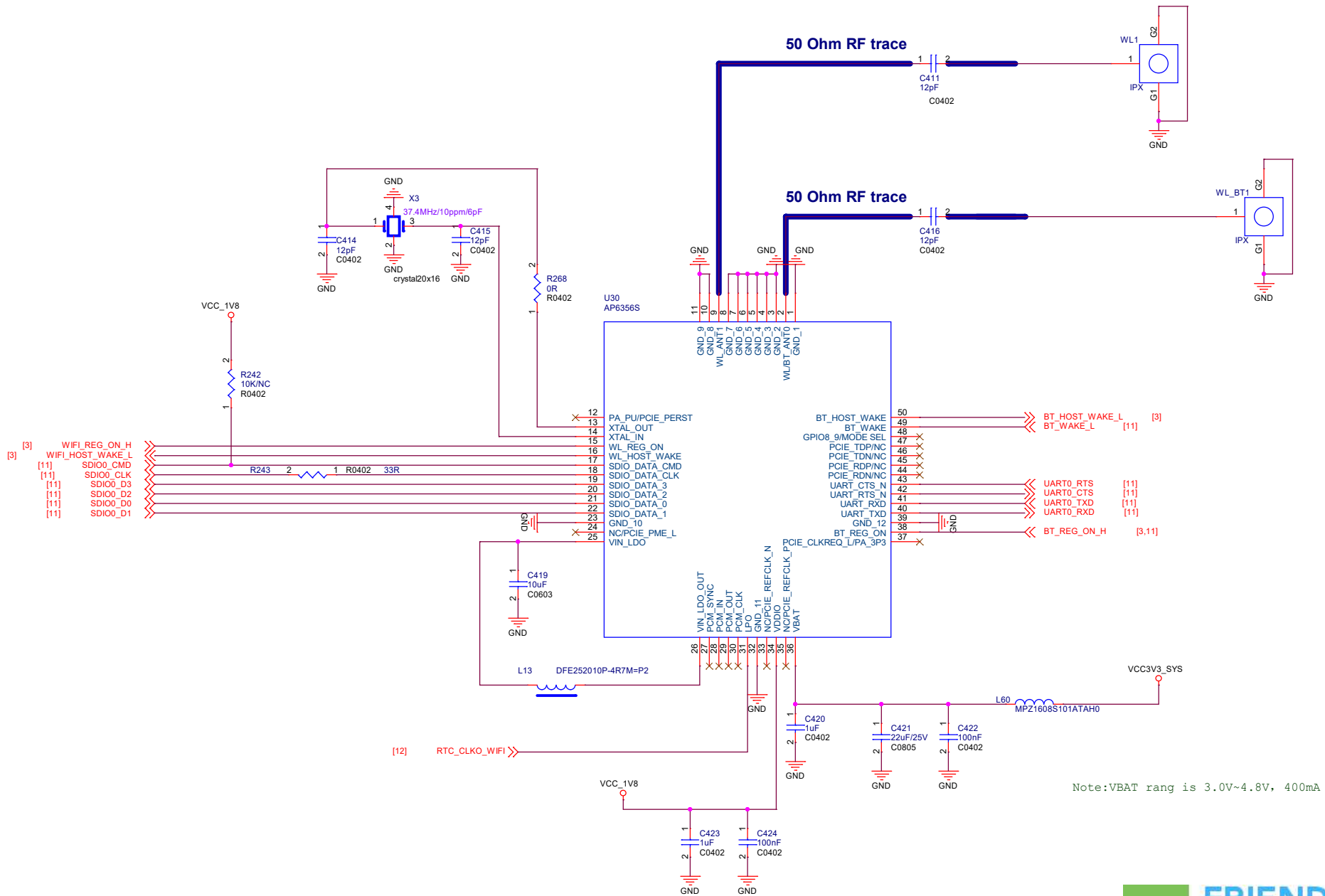




CODEC

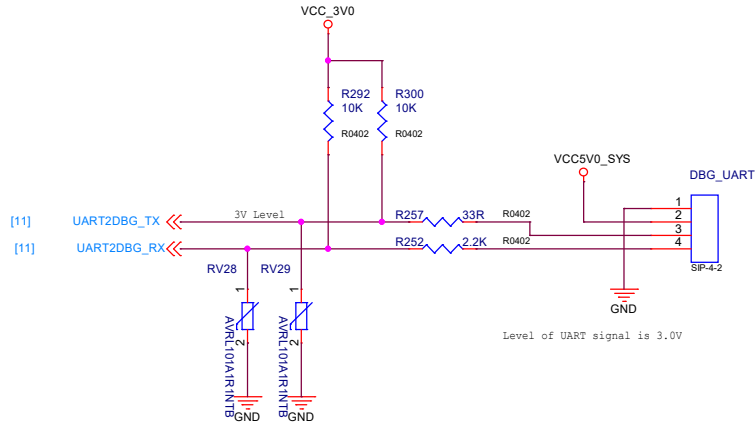
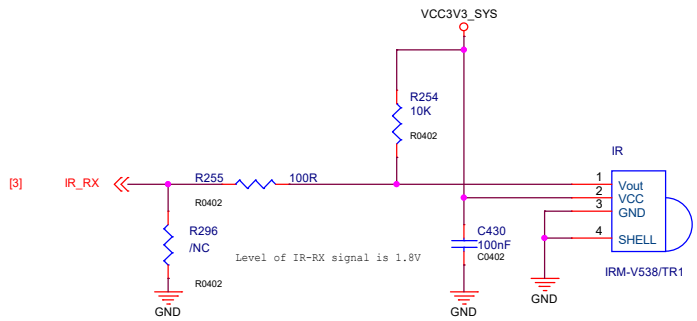
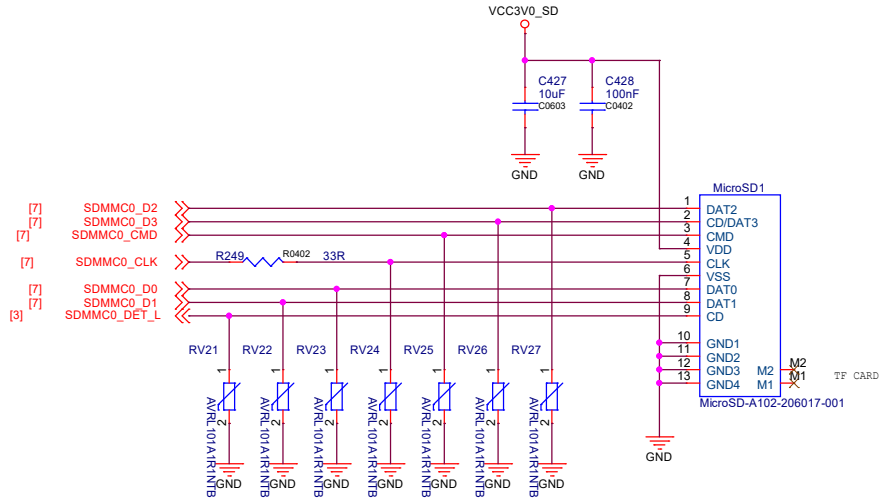
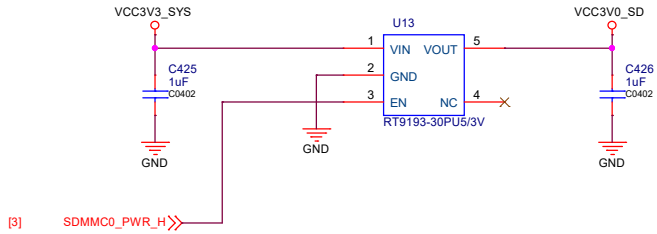


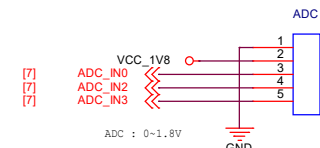
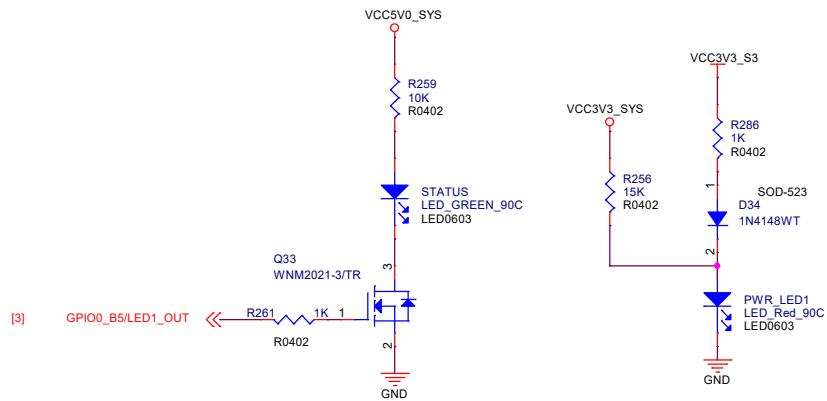
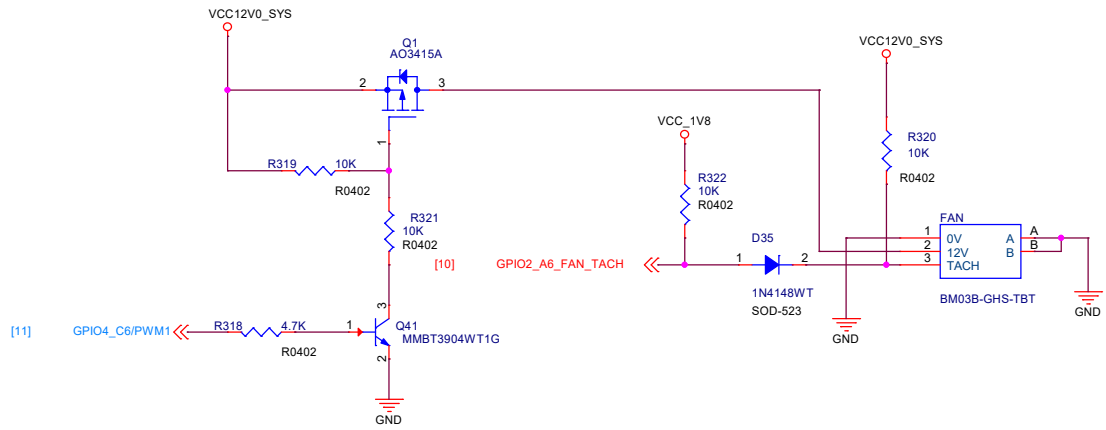
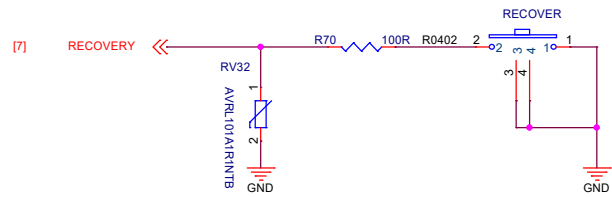
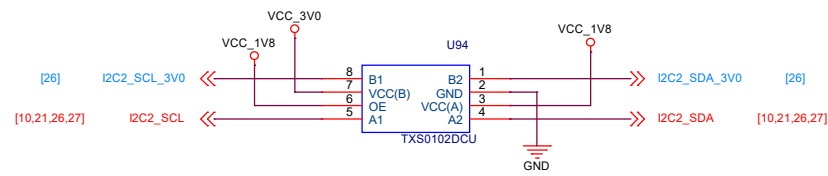
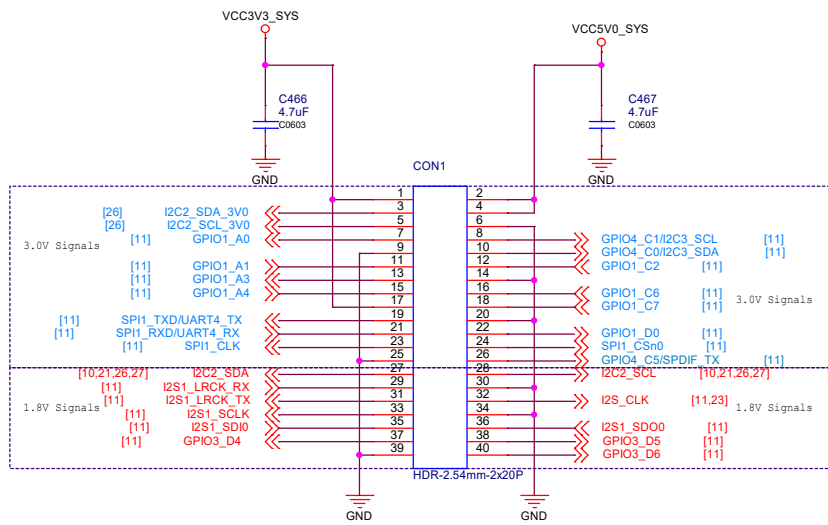
WIFI/WIFI ac/BT MODULE

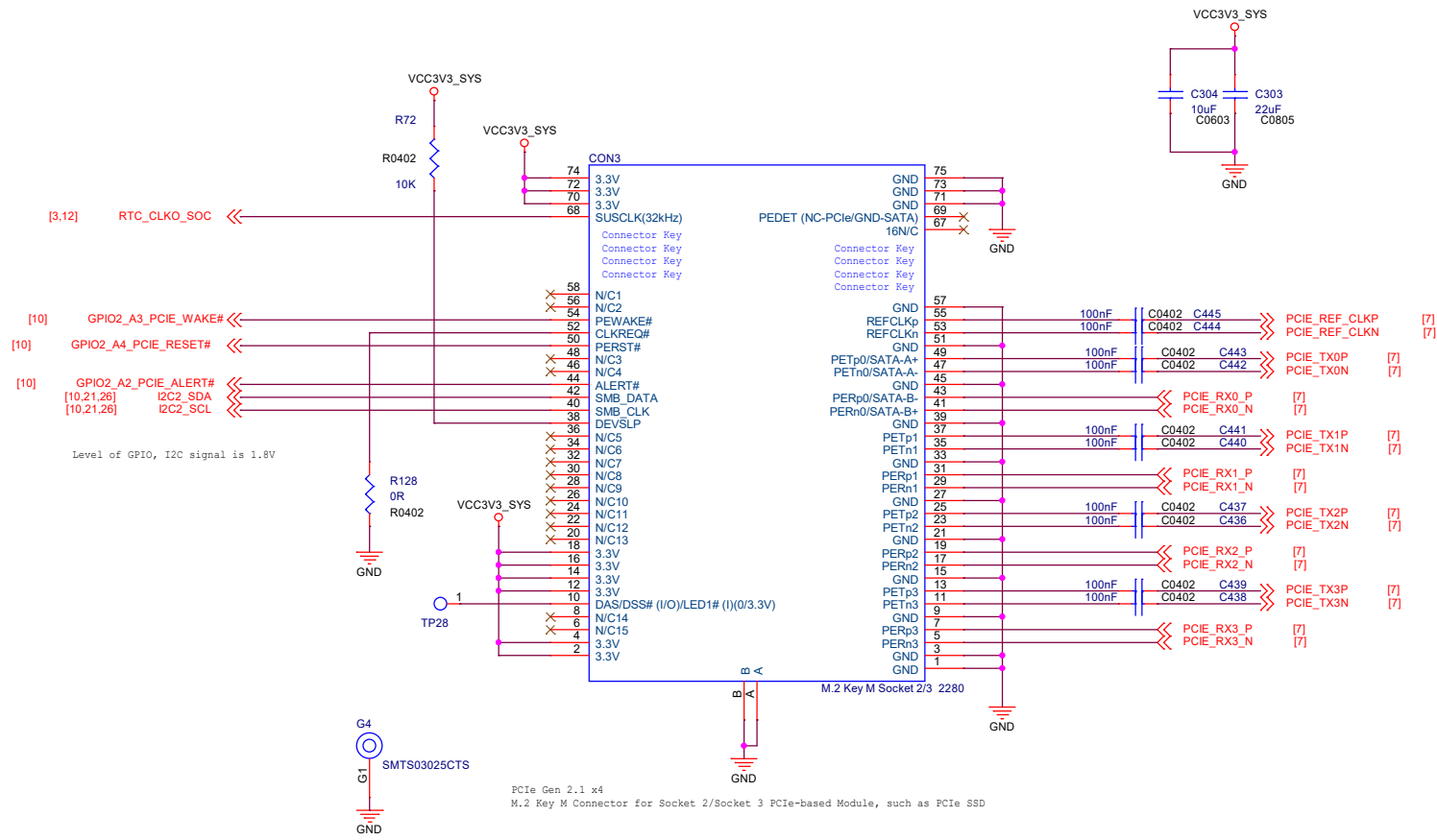


Note:VBAT rang is 3.0V~4.8V, 400mA









PCIe Gen 2.1 x4
 M.2 Key M Connector for Socket 2/Socket 3 PCIe-based Module, such as PCIe SSD



USB3.0 Host

