

# NanoPi\_R1S

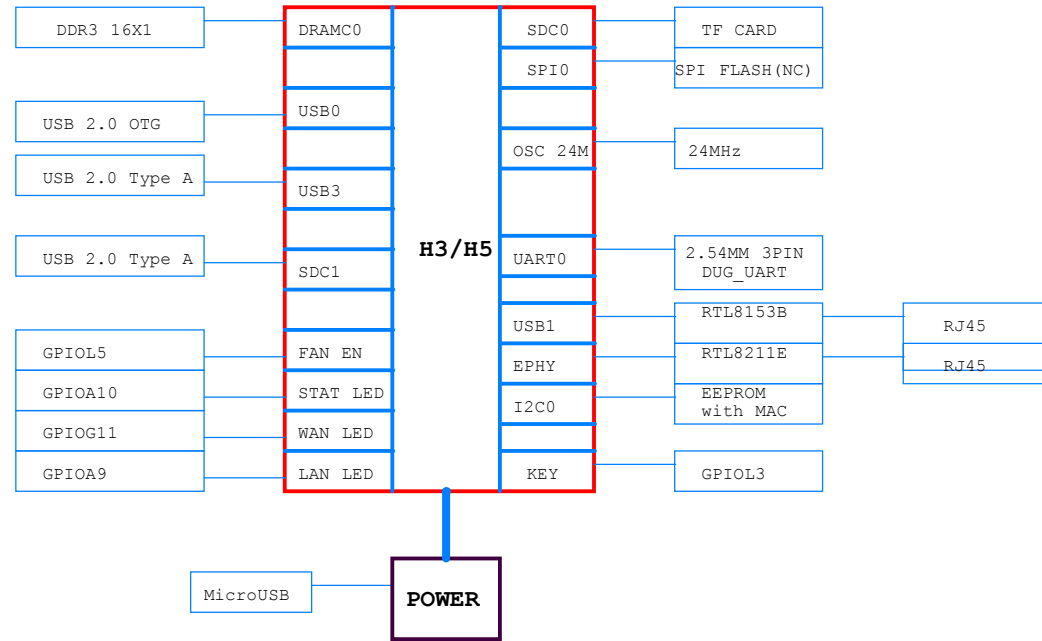
Revision

1908 , V1.0 :first release

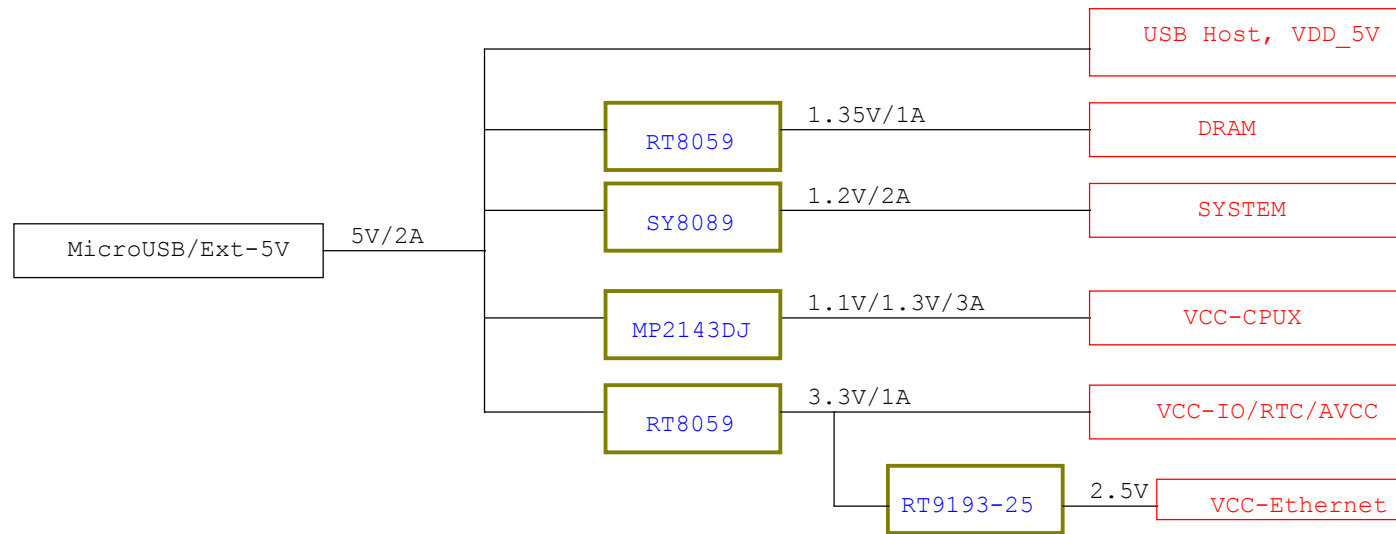


NanoPi_R1S		
Size A3	Document Number 01:Title	Rev V1.0 1908
Date: Monday, October 28, 2019	Sheet 1	of 11

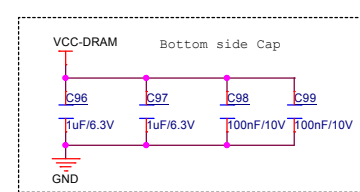
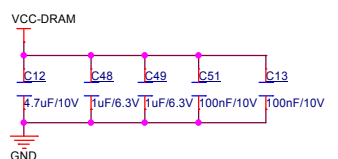
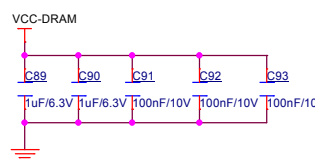
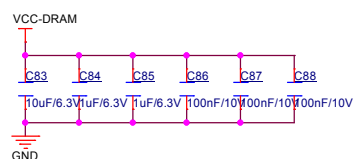
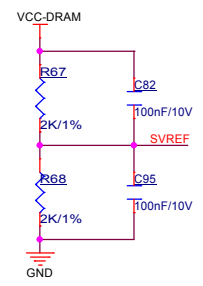
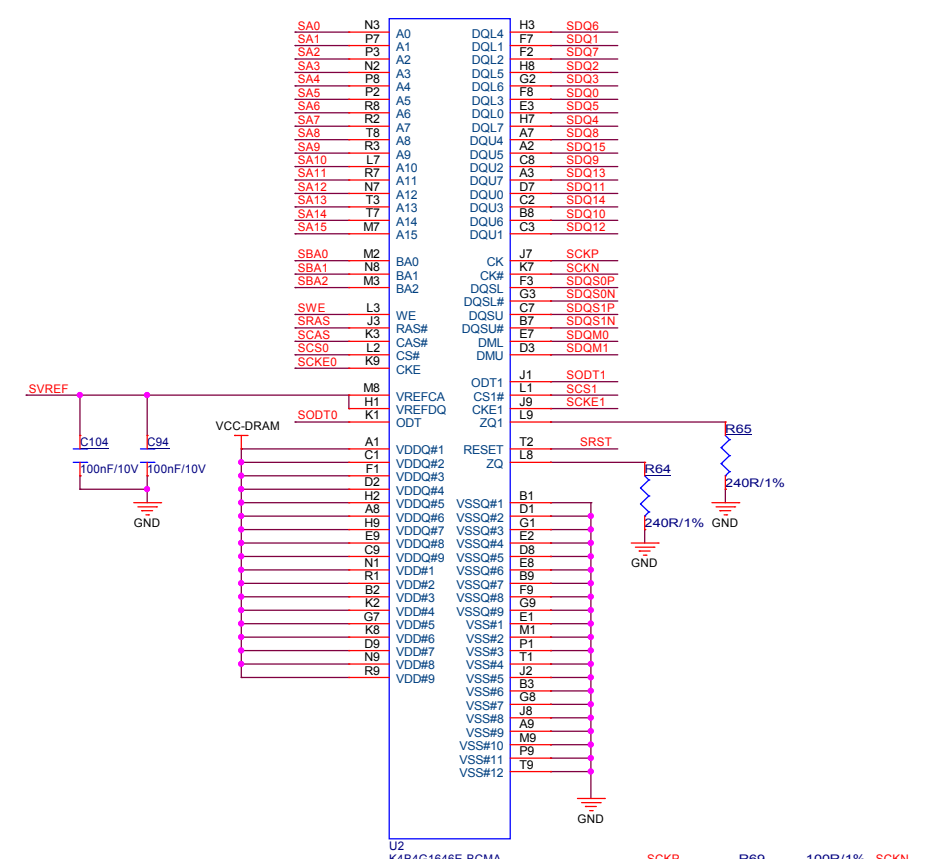
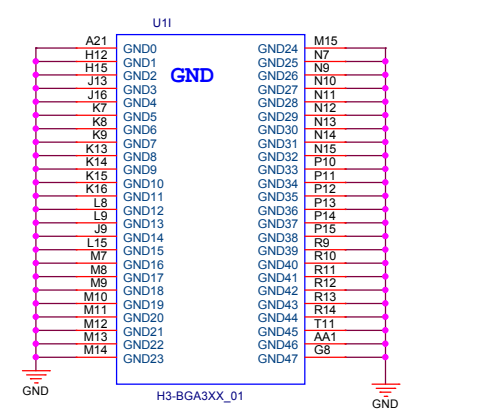
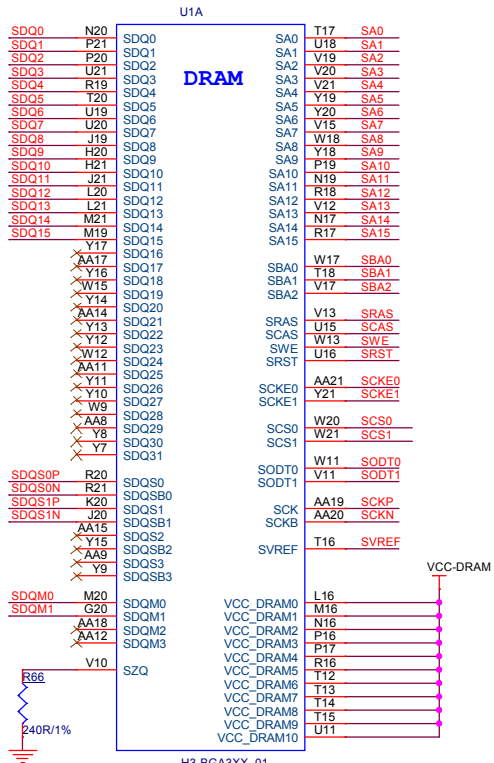
# BLOCK



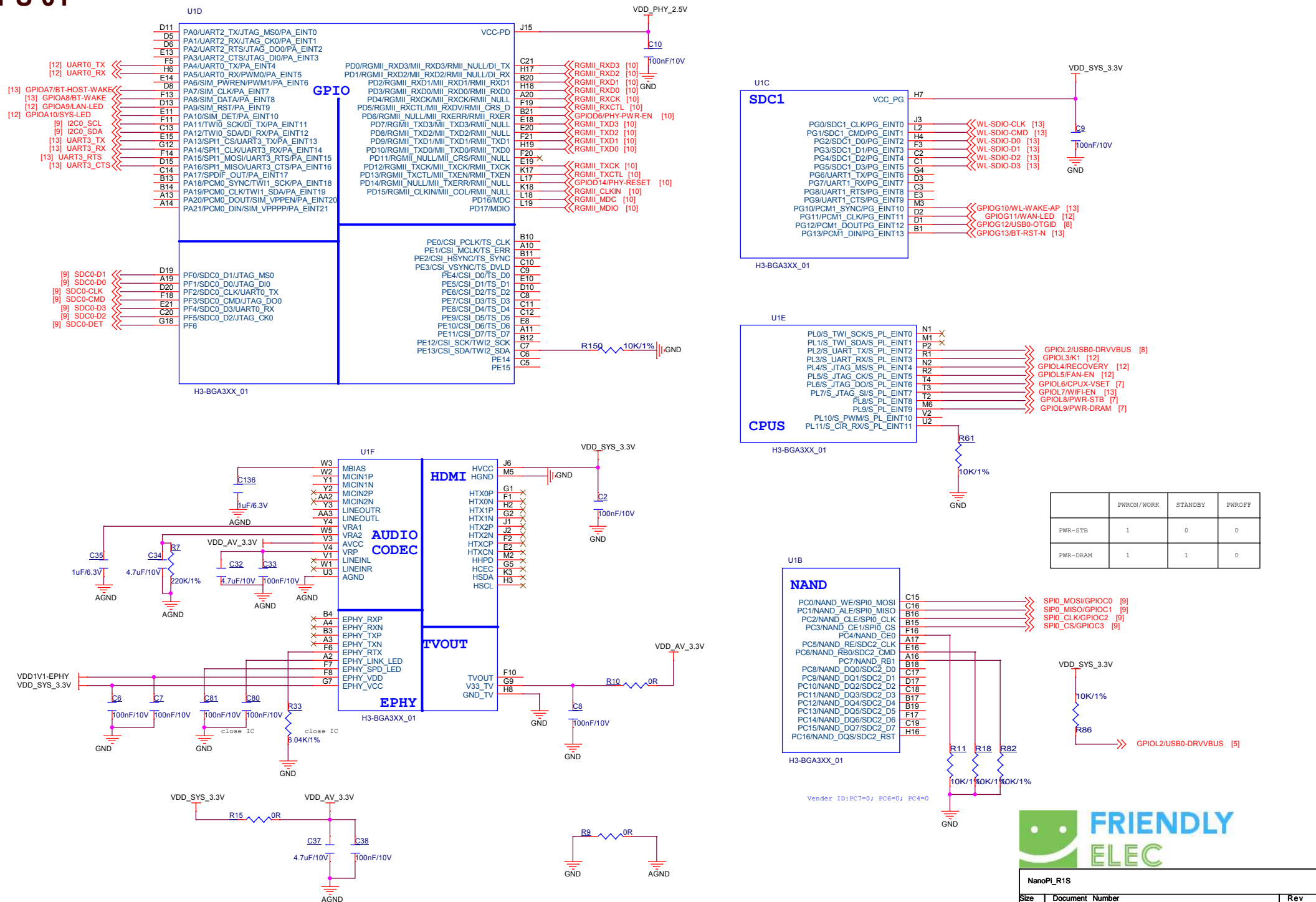
# POWER TREE



# DDR3 16x1



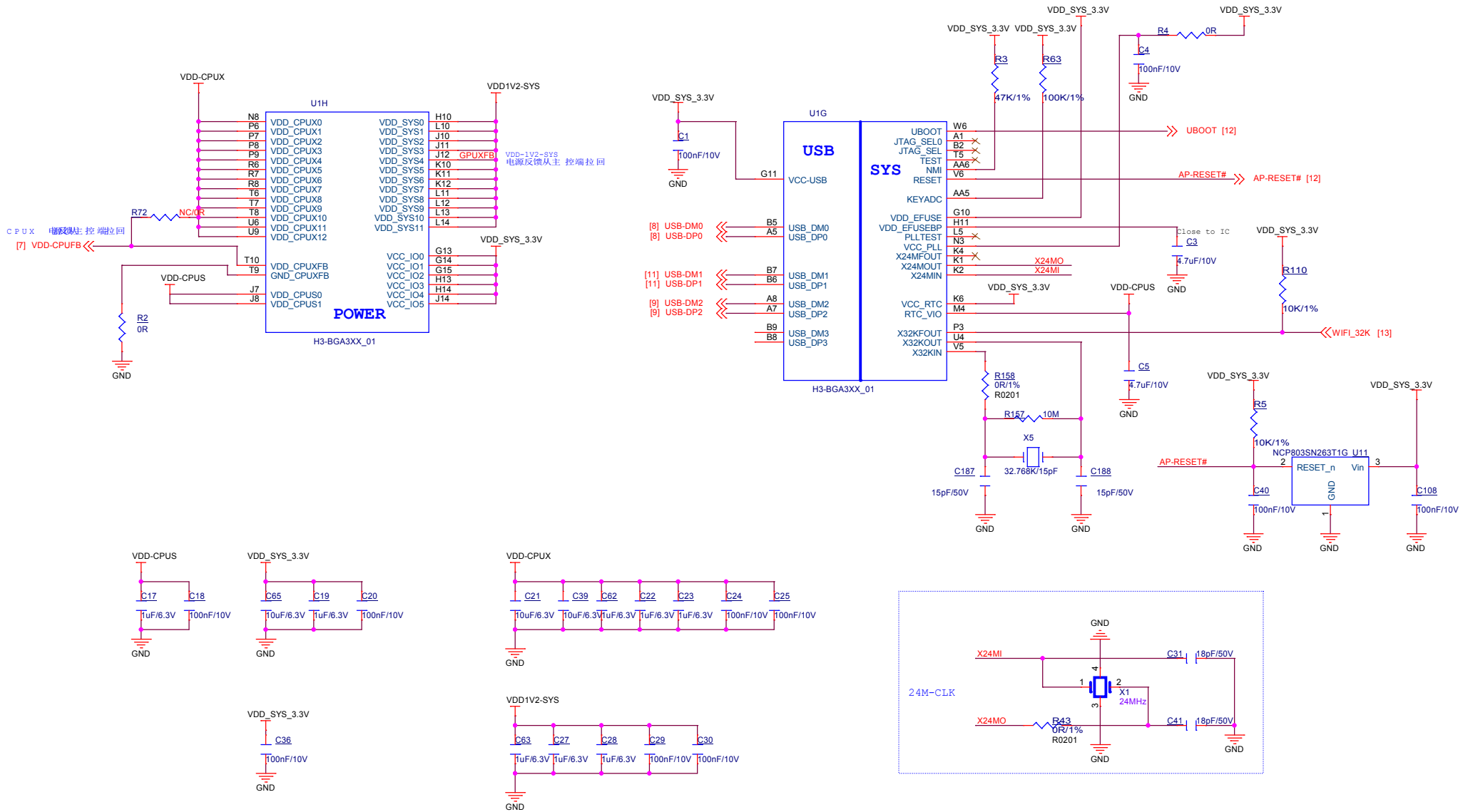
# CPU 01



	PWRON / WORK	STANDBY	PWROFF
PWR-STB	1	0	0
PWR-DRAM	1	1	0



# CPU 02



# POWER 01

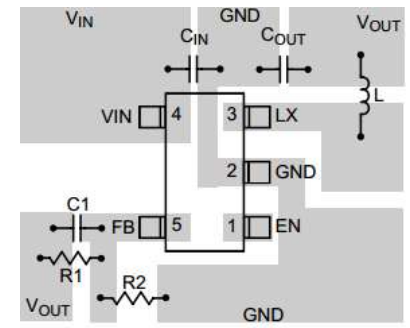
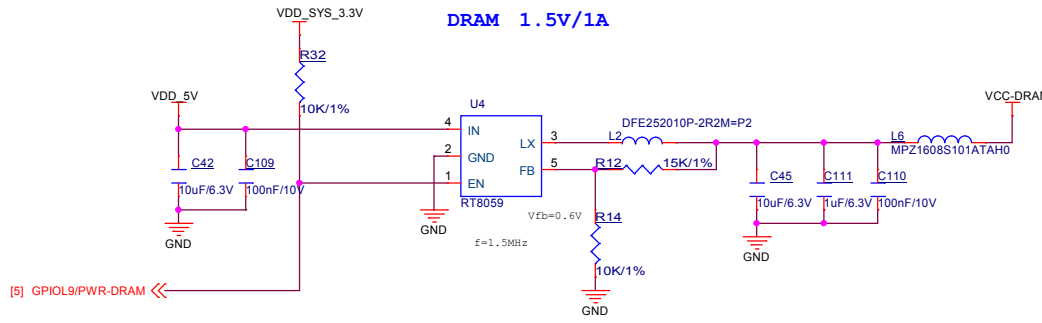
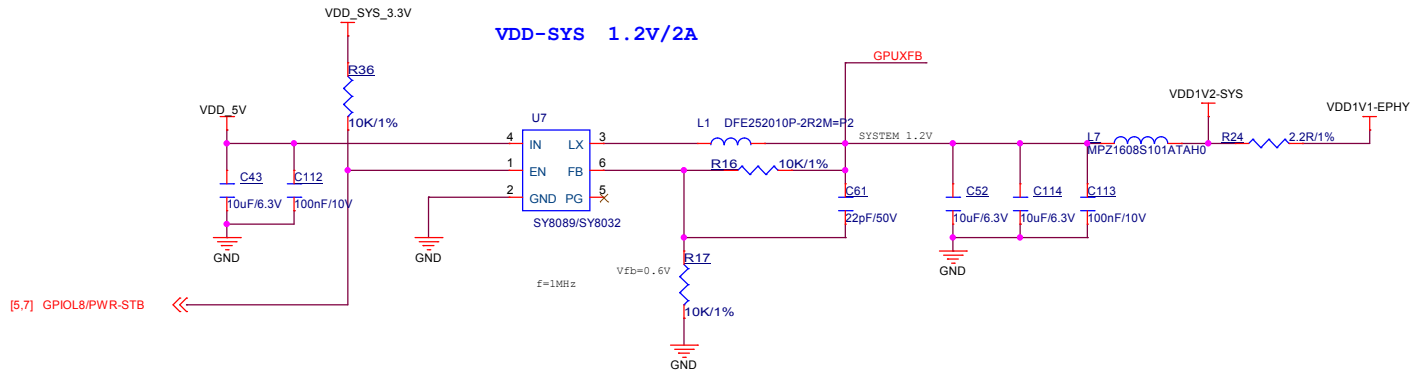


Figure 3. PCB Layout Guide



## VCC-CPUX 1.1V/3A

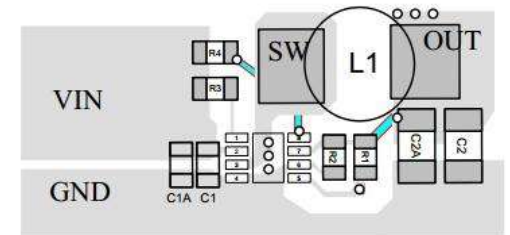
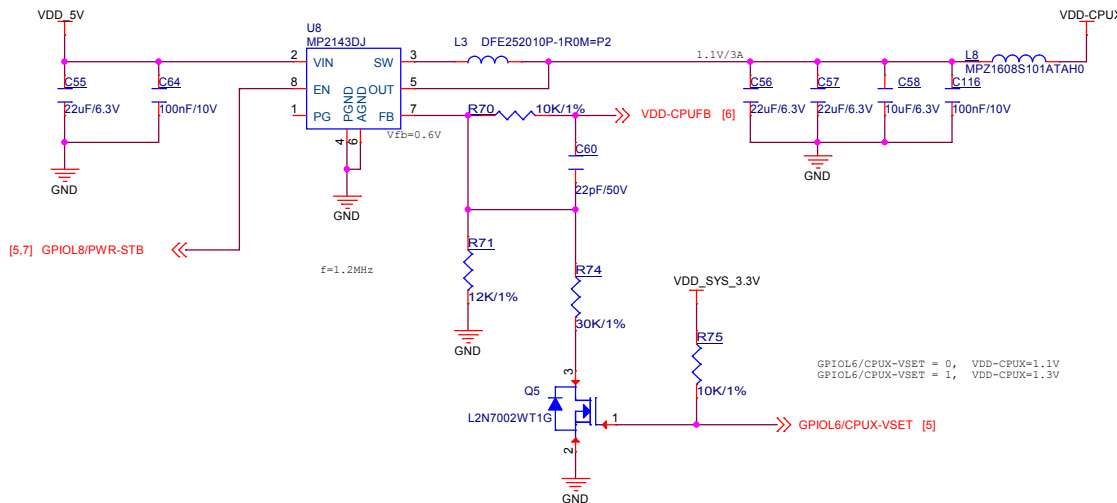
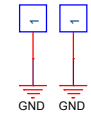
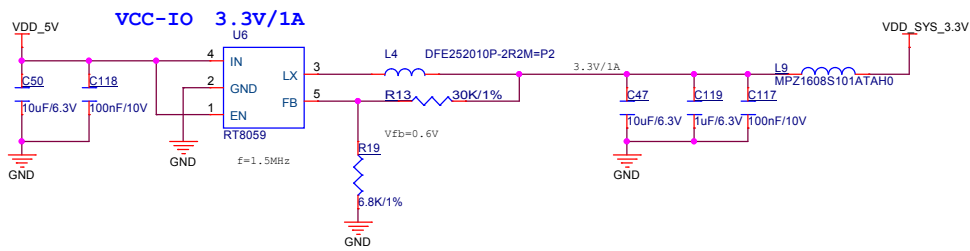
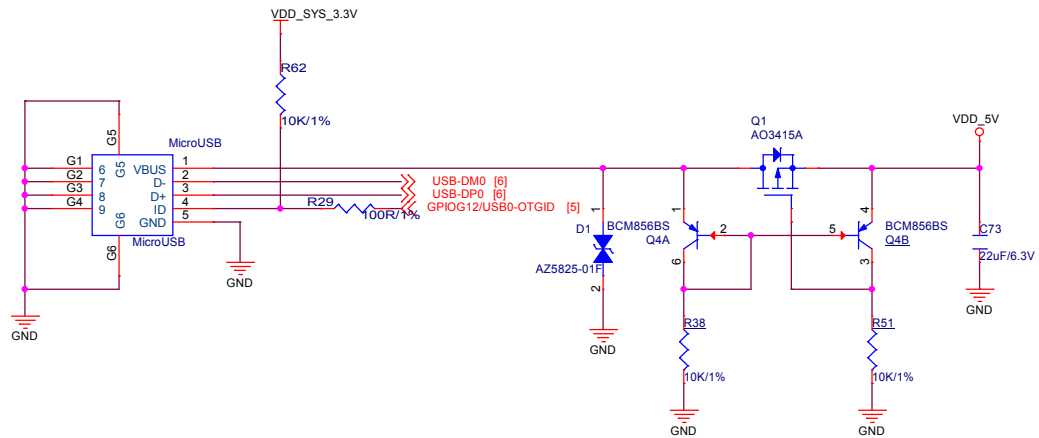


Figure 3: Layout Recommendation

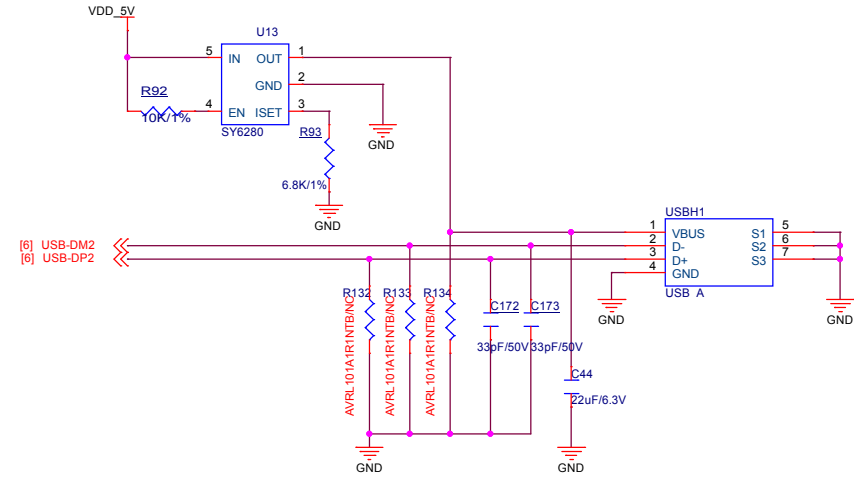
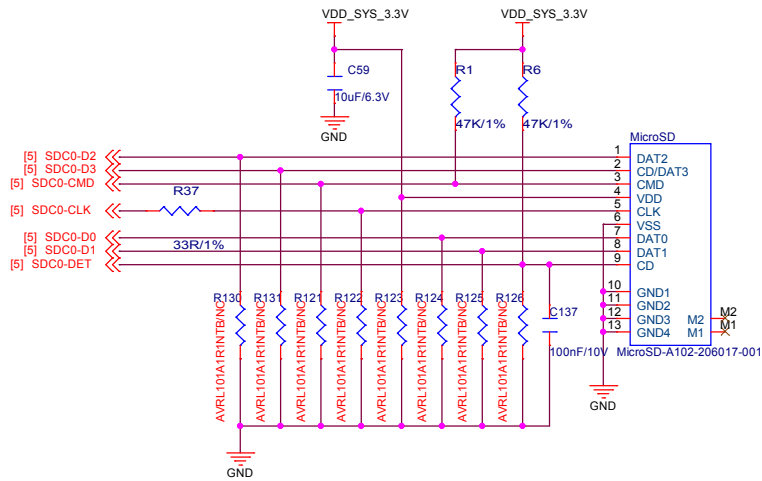


# POWER 02

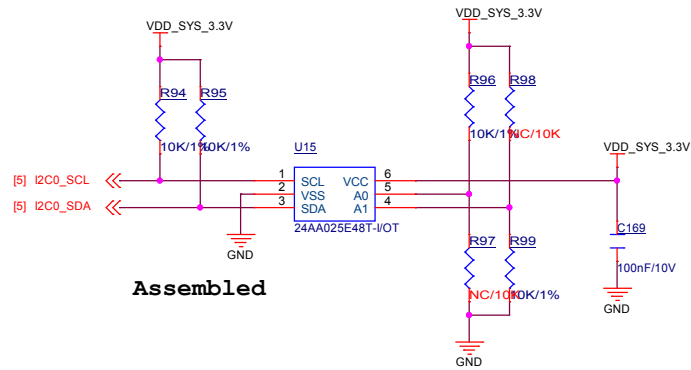




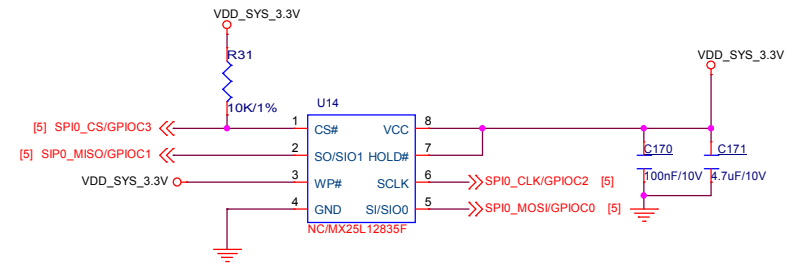
# TF Card,EEPROM,Flash,USB Host



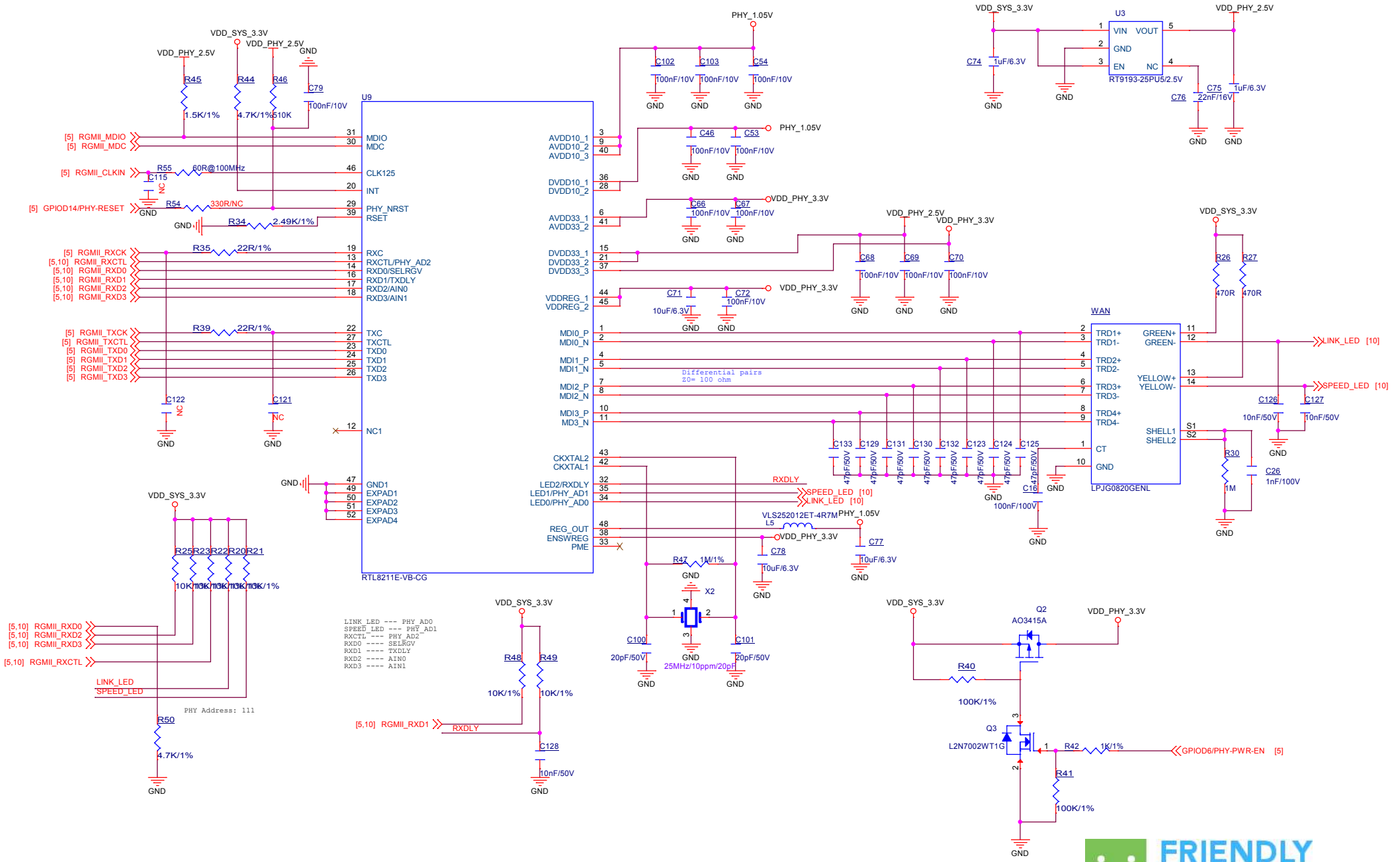
## EEPROM with MAC Address



Assembled

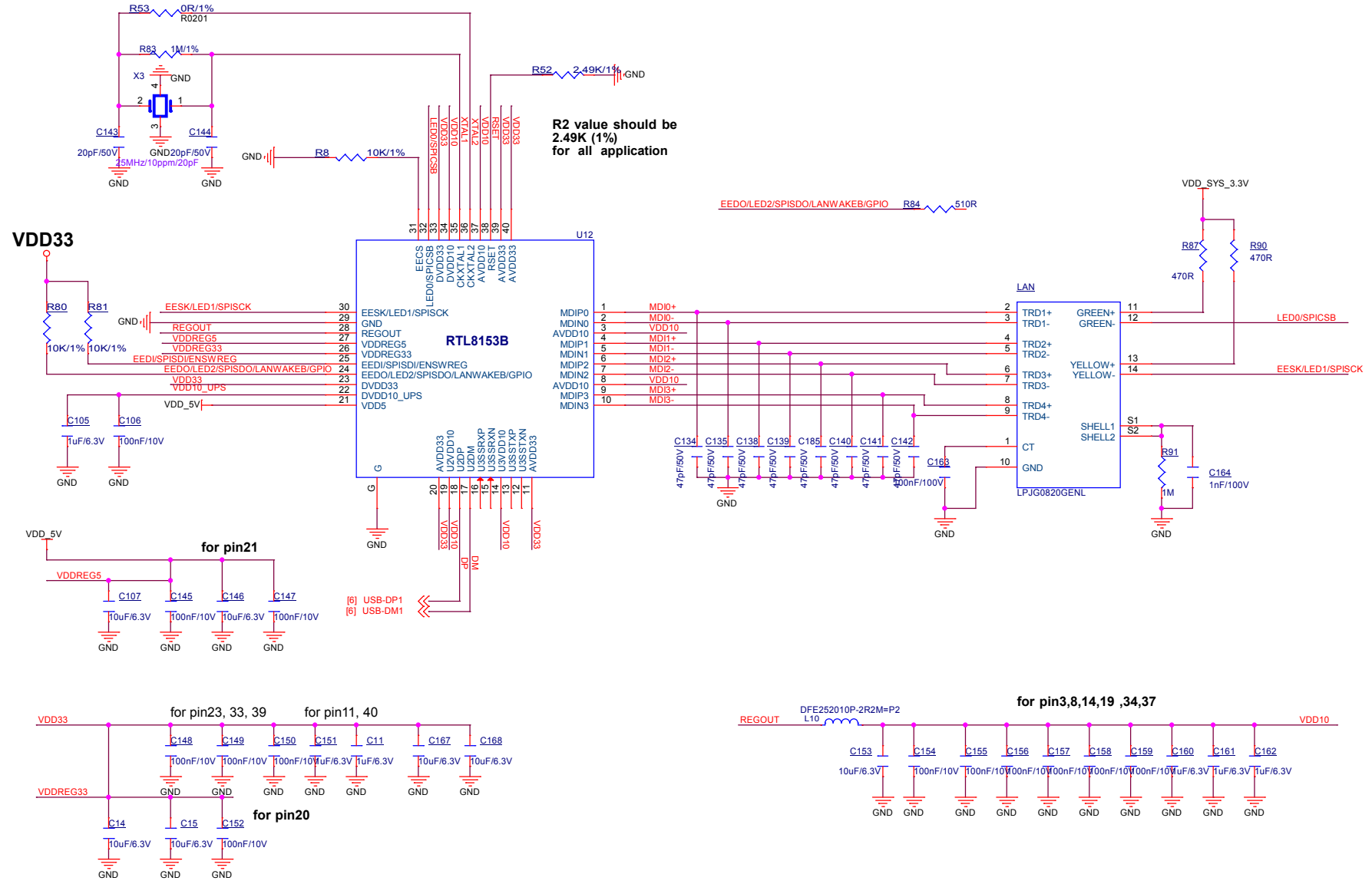


# 10/100/1000M Ethernet



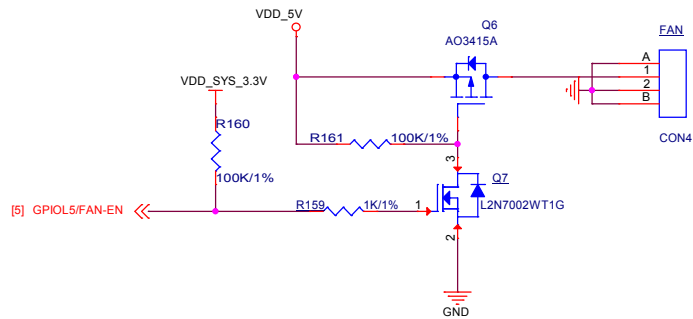
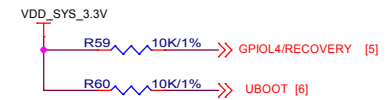
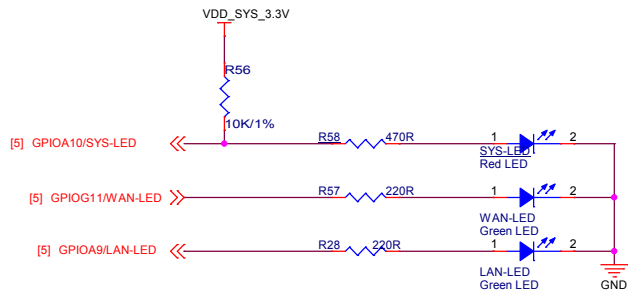
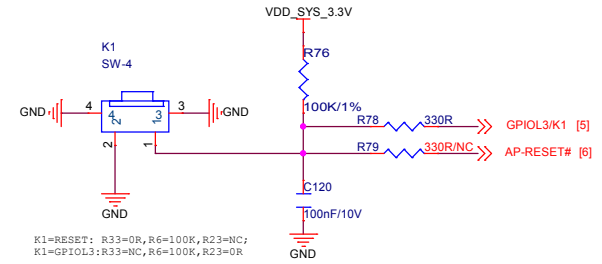
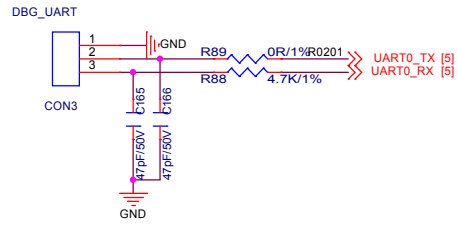
NanoPI_R1S		
Size A3	Document Number 10:10/100/1000M Ethernet	Rev V1.0 1908
Date: Monday, October 28, 2019	Sheet 10	of 11

# USB to 10/100/1000M Ethernet



NanoPI_R1S		
Size	Document Number	Rev
A3	11:USB to 10/100/1000M Ethernet	V1.0 1908
Date:	Monday, October 28, 2019	Sheet 11 of 11

# DBG\_UART,LEDs,KEY



# Wi-Fi

