

# NanoPi NEO 2

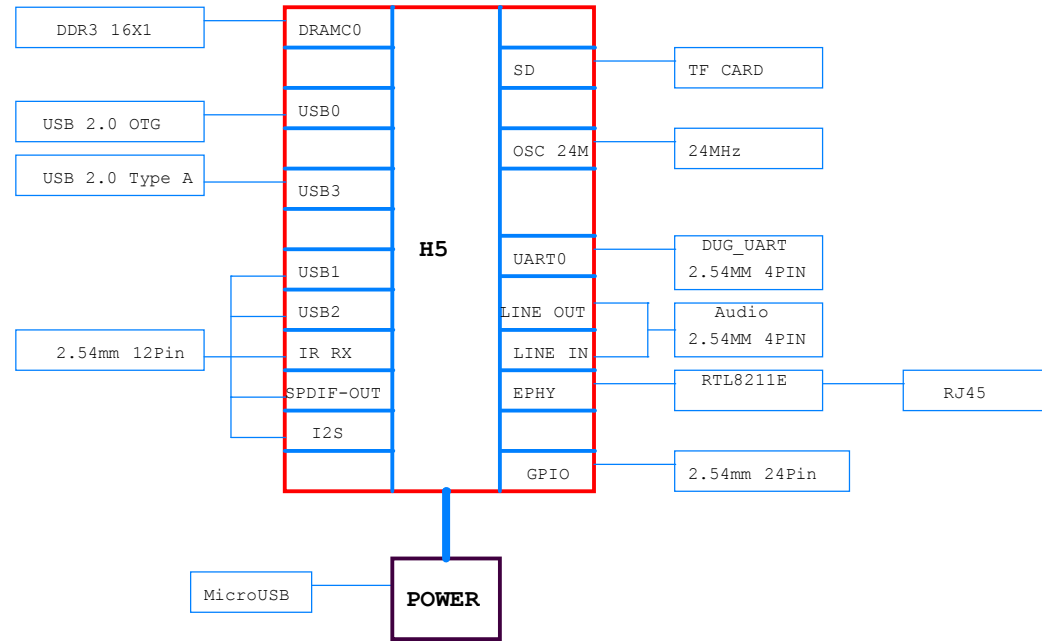
## Revision

1701 , V1.0 :first release  
1711 , V1.1 :Changed TF Card,  
Changed Gigabit network connector,  
Added GPIO Voltage regulation,  
Adjusted Audio pin header,  
Added CVBS

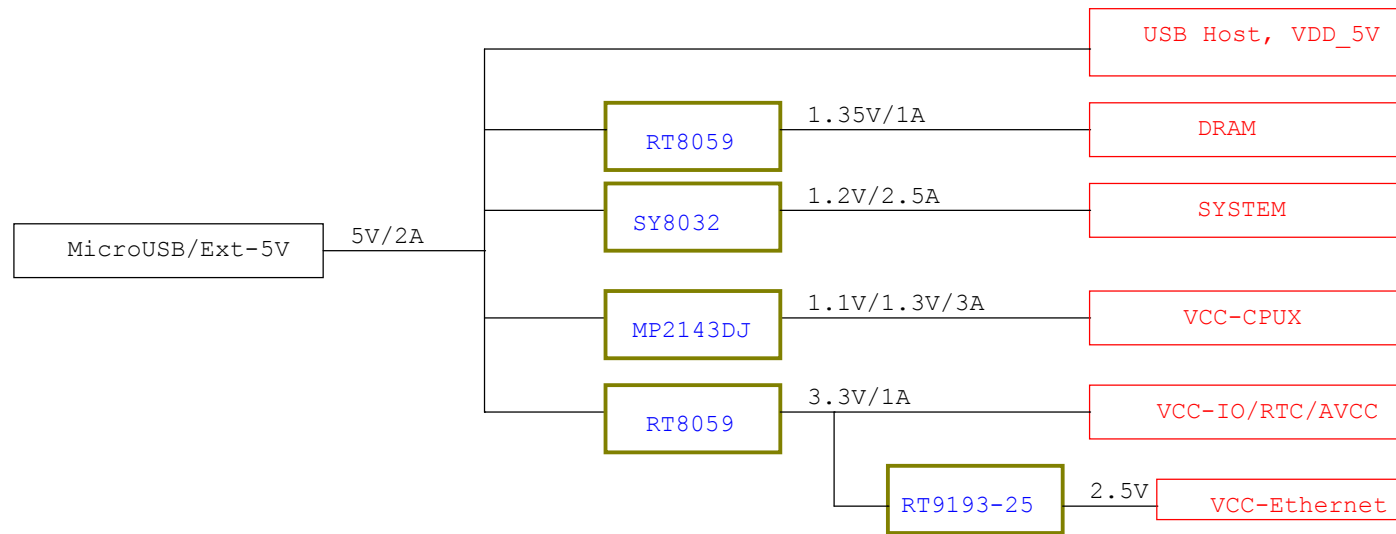


NanoPi NEO 2		
Size A3	Document Number 01:Title	Rev v1.1 1711
Date: Monday, March 19, 2018	Sheet 1	of 12

# BLOCK

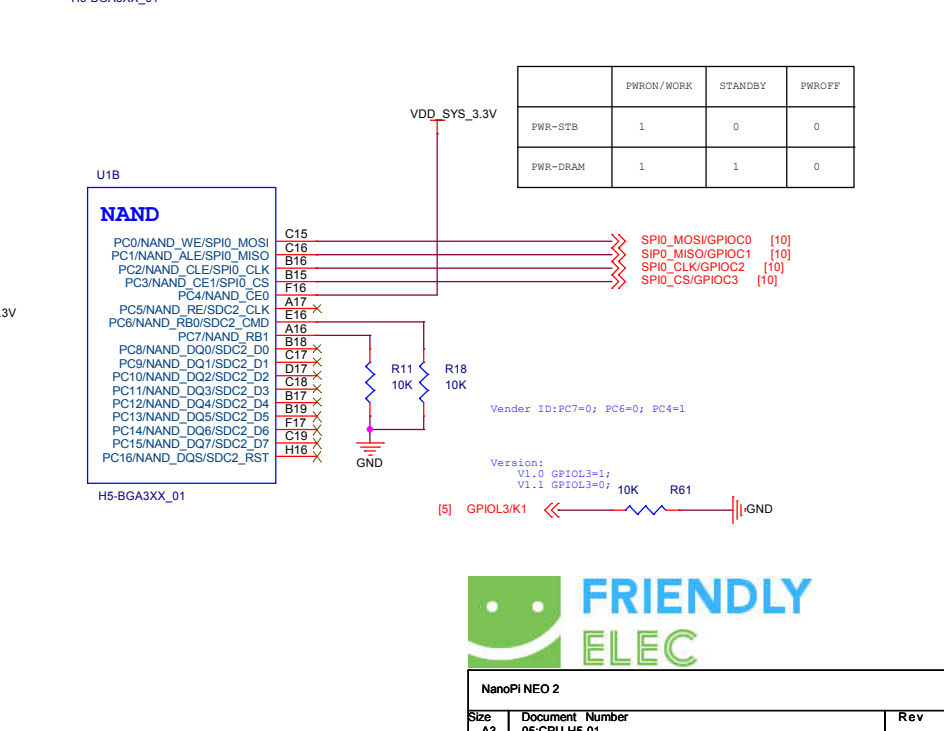
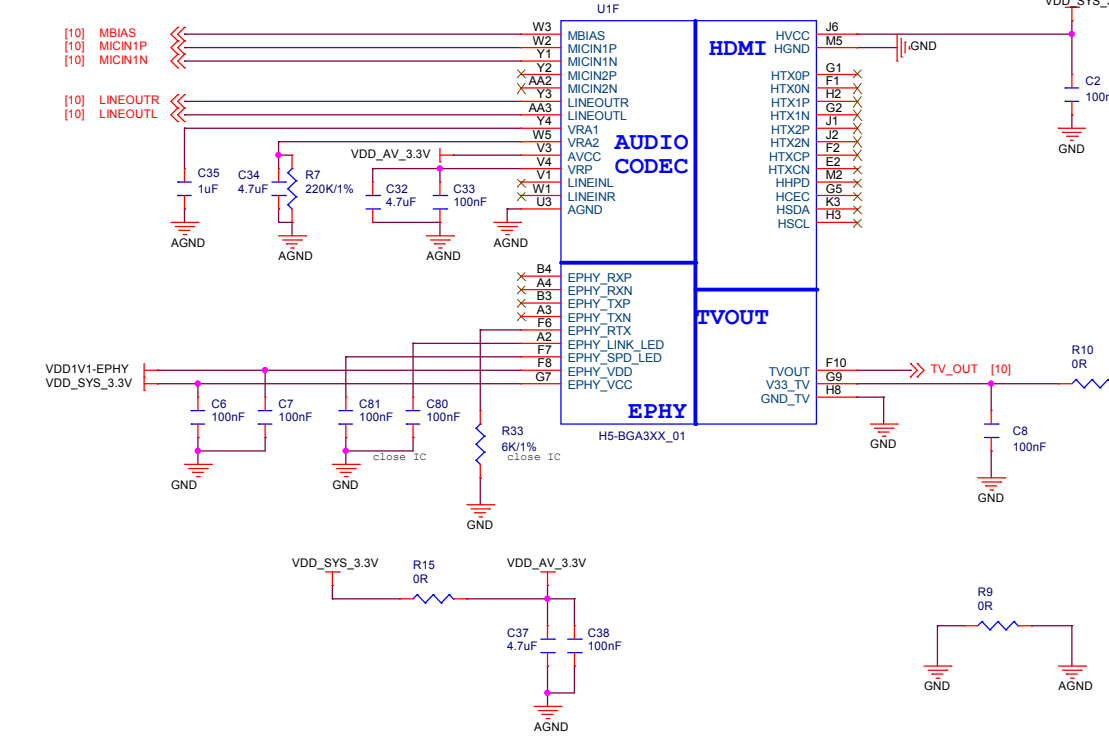
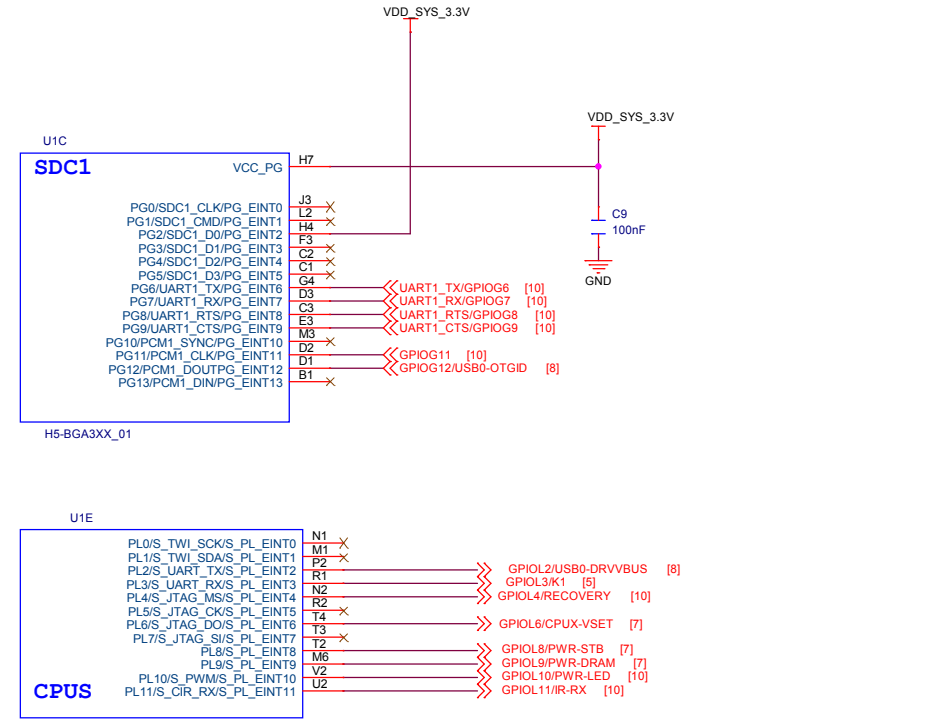
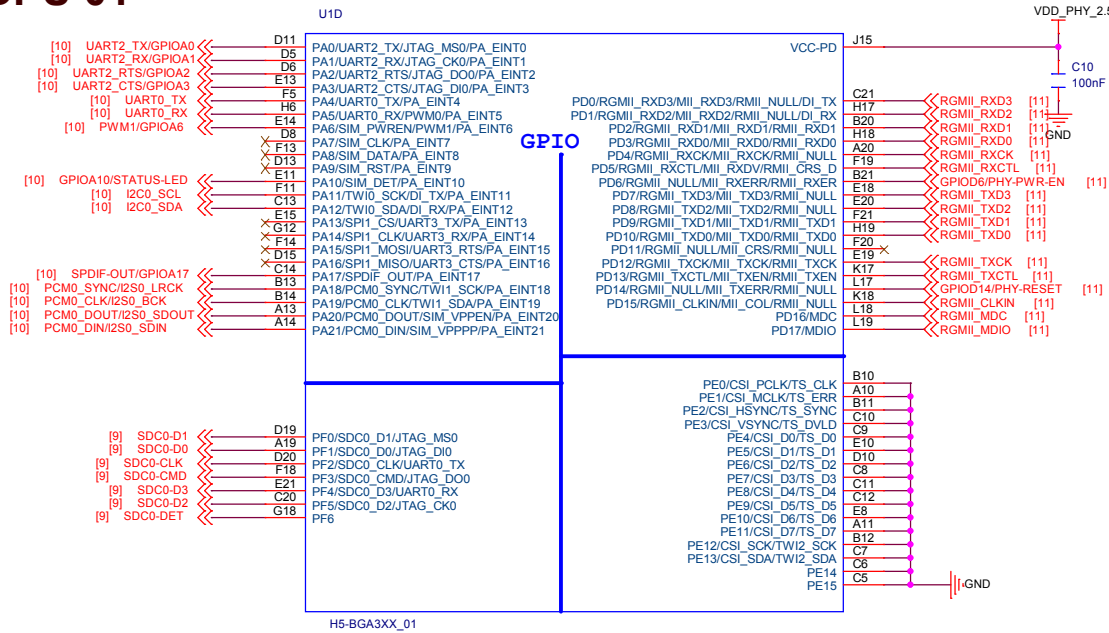


# POWER TREE

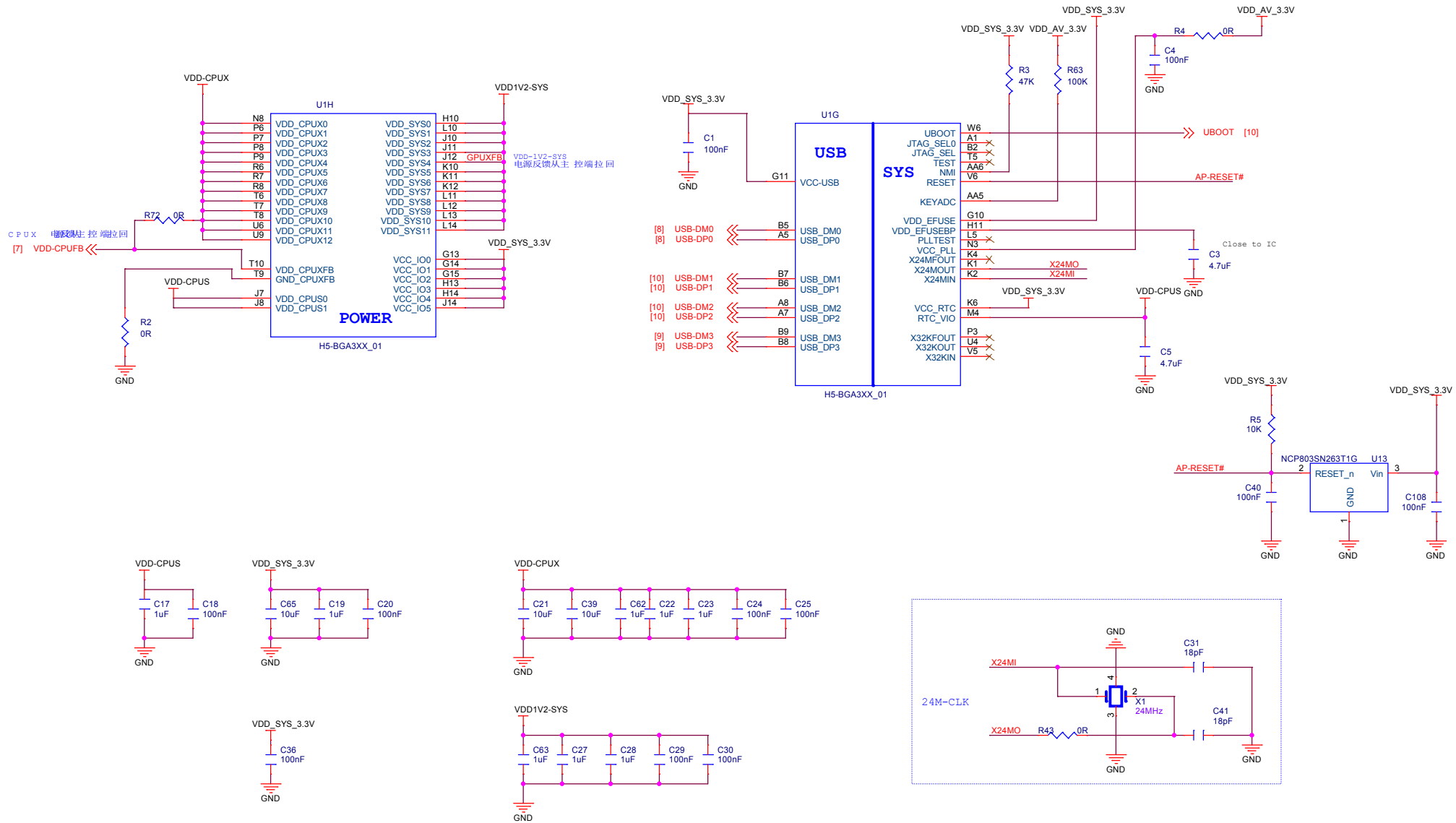




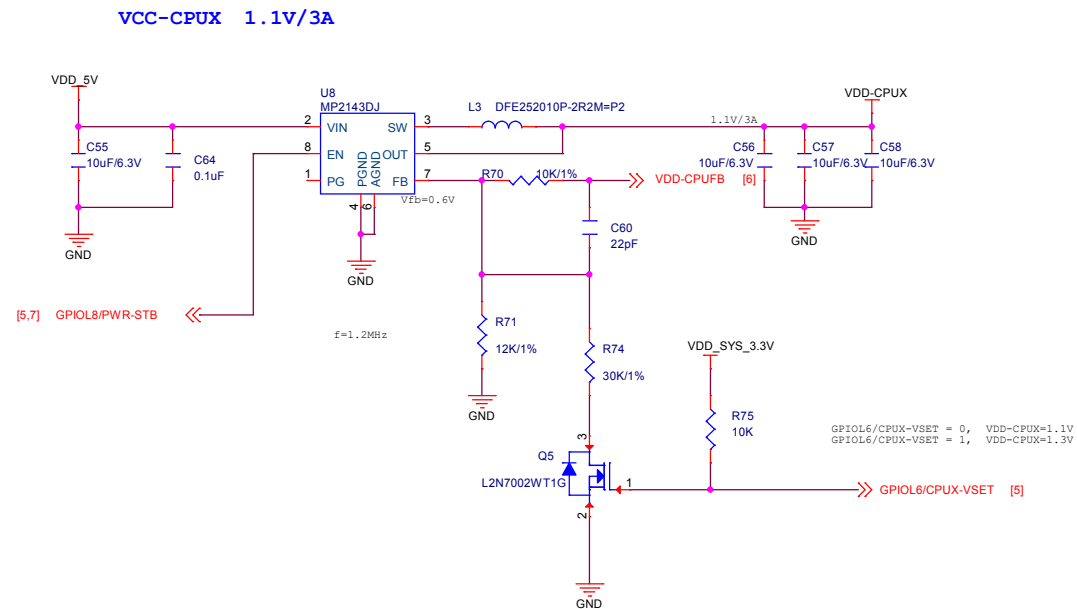
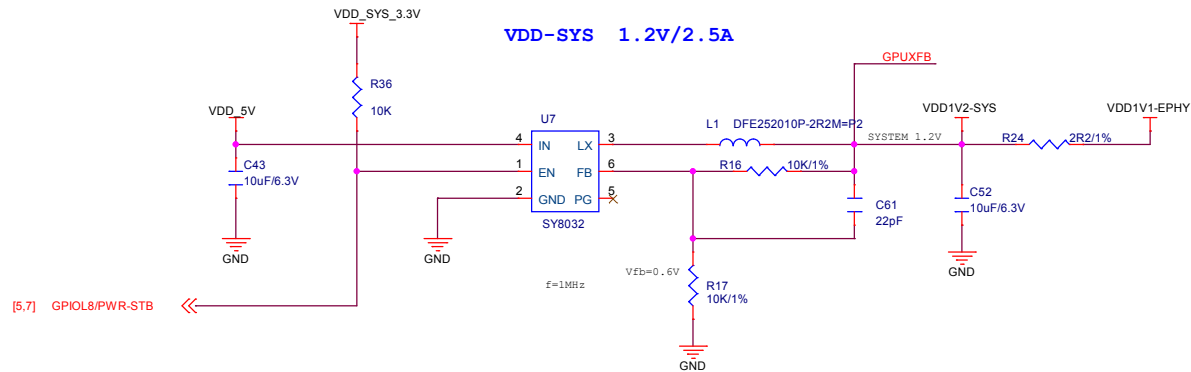
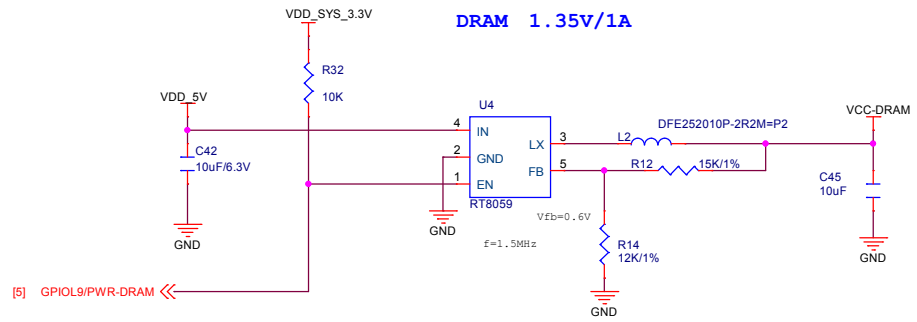
# CPU 01



# CPU 02



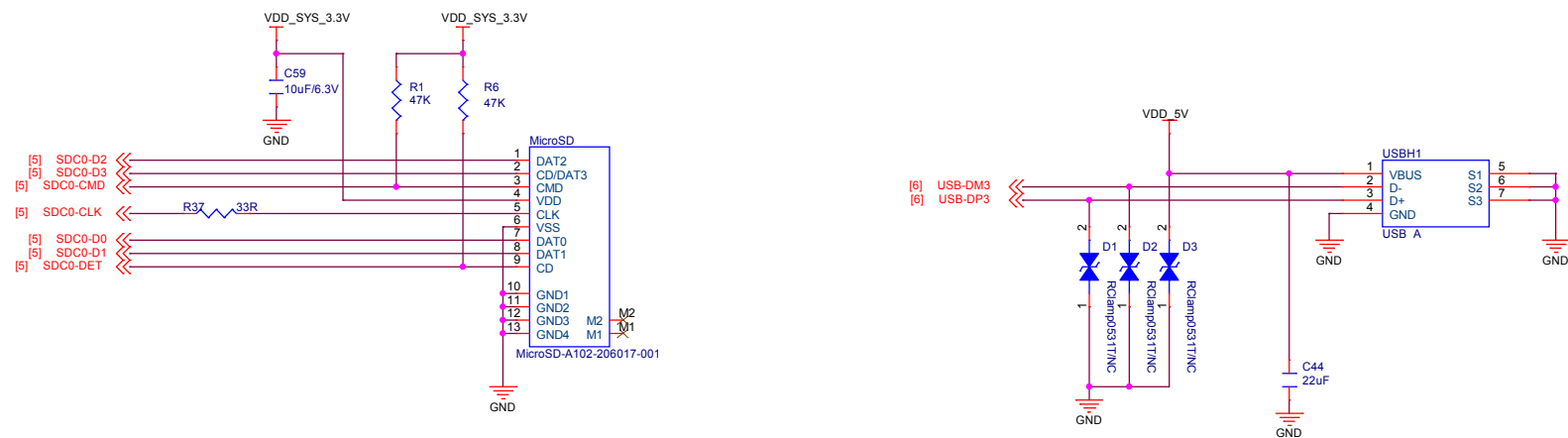
# POWER 01



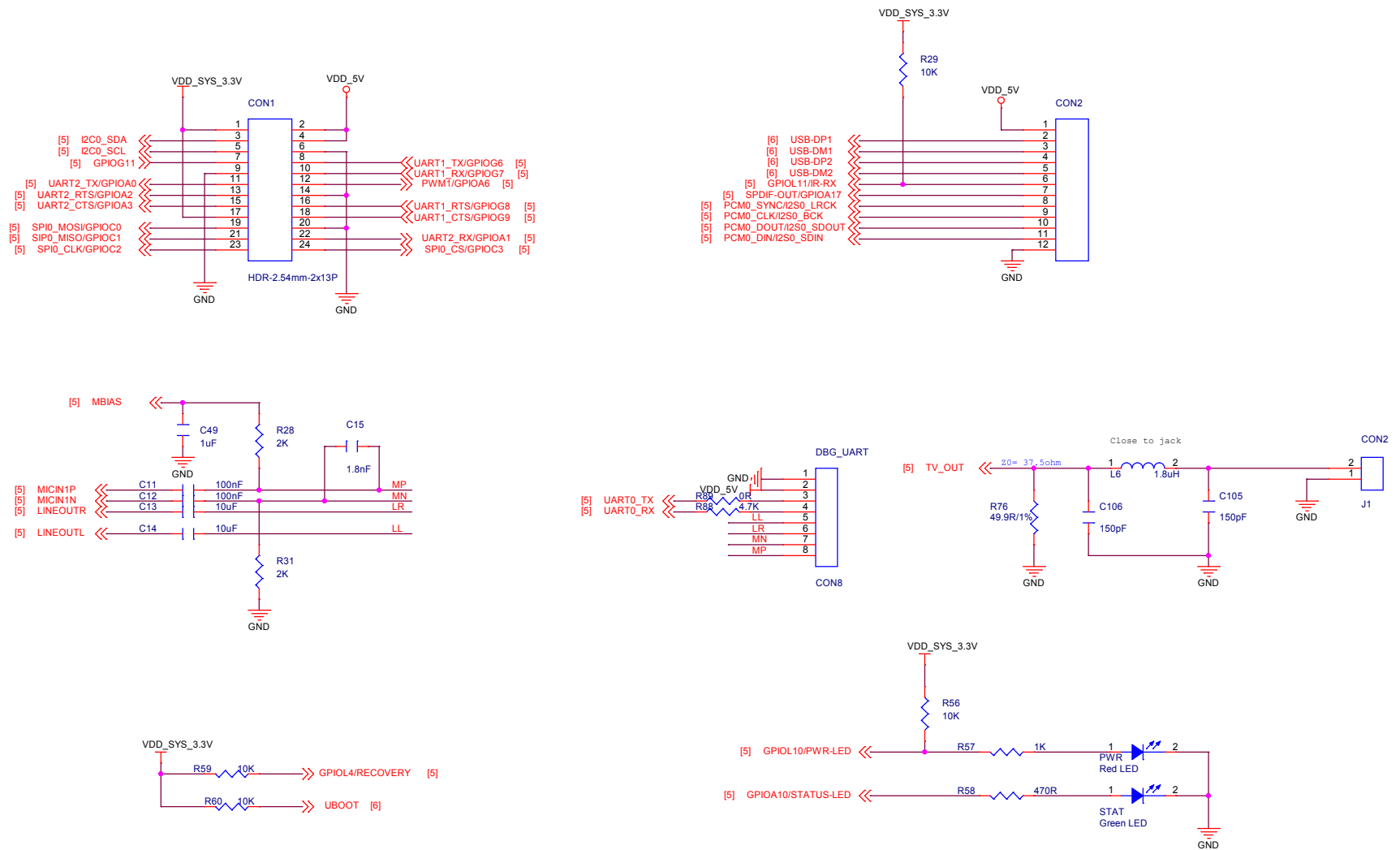




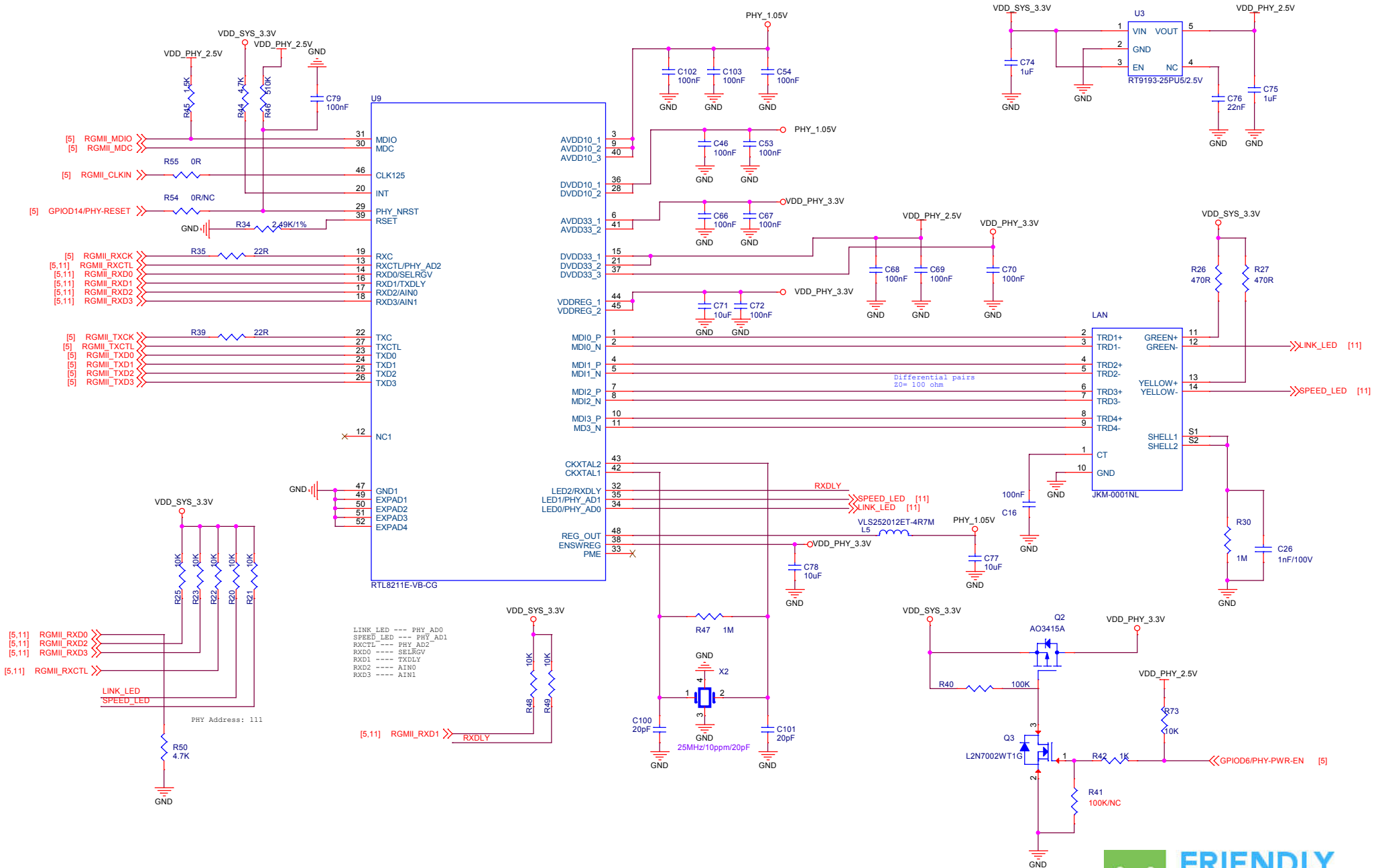
# TF Card,USB Host



# GPIO, DBG\_UART, Audio, LEDs



# 10/100/1000M Ethernet



NanoPi NEO 2		
Size	Document Number	Rev
A3	12:10/100/1000M Ethernet	v1.1 1711
Date:	Monday, March 19, 2018	Sheet 11 of 12