

NanoPC T2/T3

Revision

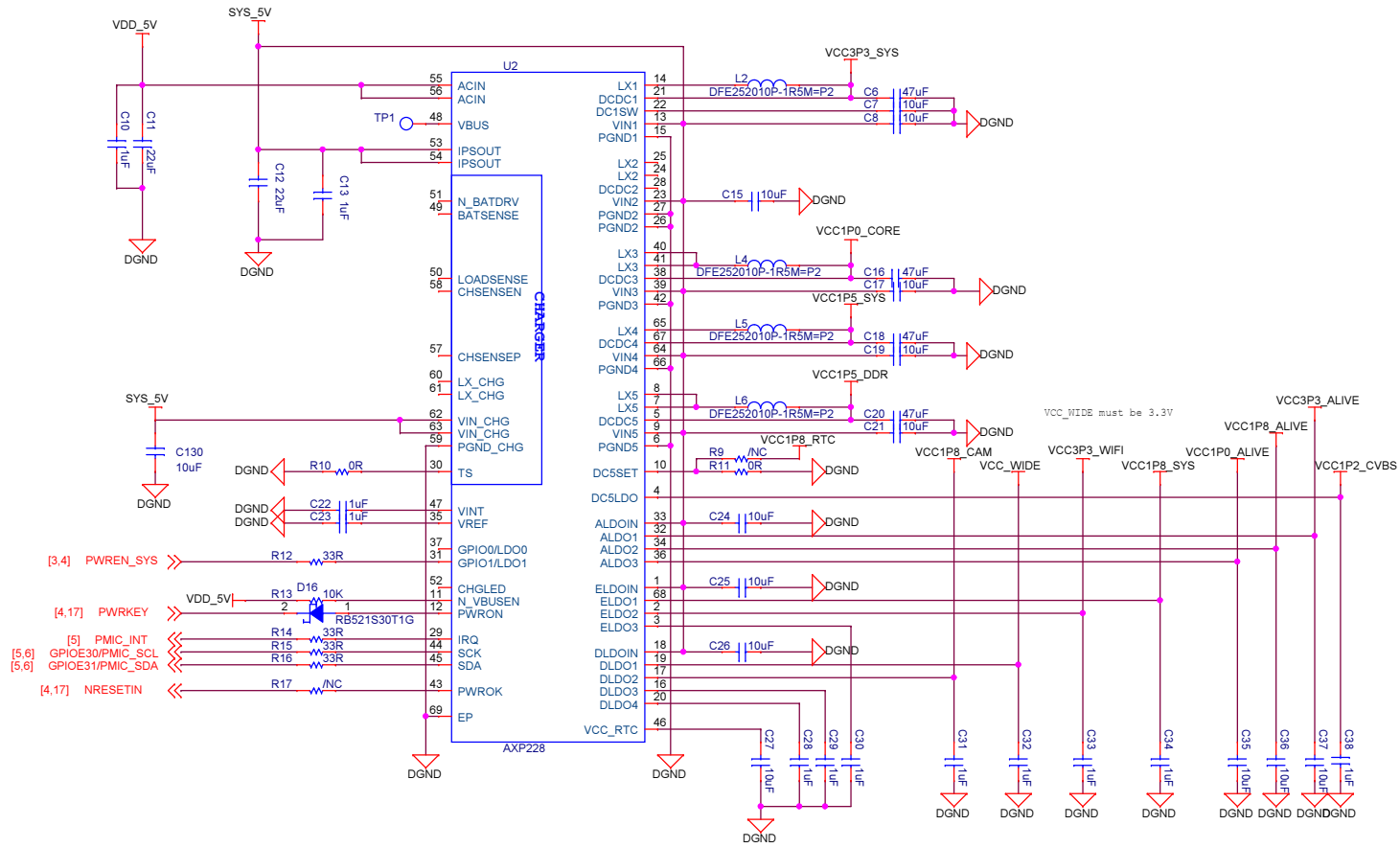
1601B , 1.First Release, NanoPC T2

1603, 1.Change VDD CORE and VDD_ARM Power
2.Support S5P6818
3.VCC3P3_AP6212 Connect to VCC3P3_SYS
4.Change Name to NanoPC T2/T3

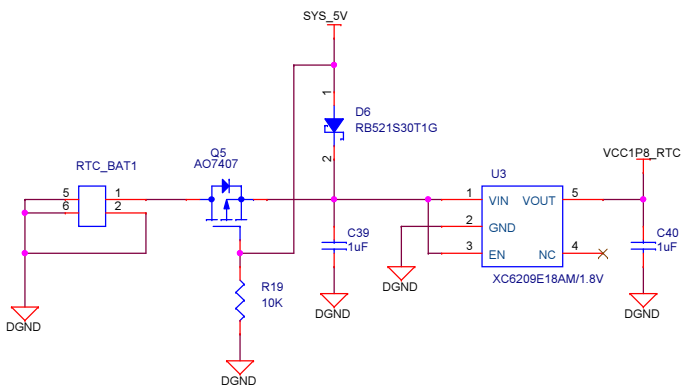
FRIENDLYARM

NanoPC-T2/T3		
Size A3	Document Number 01.Title	Rev 1603
Date:	Monday, April 25, 2016	Sheet 1 of 17

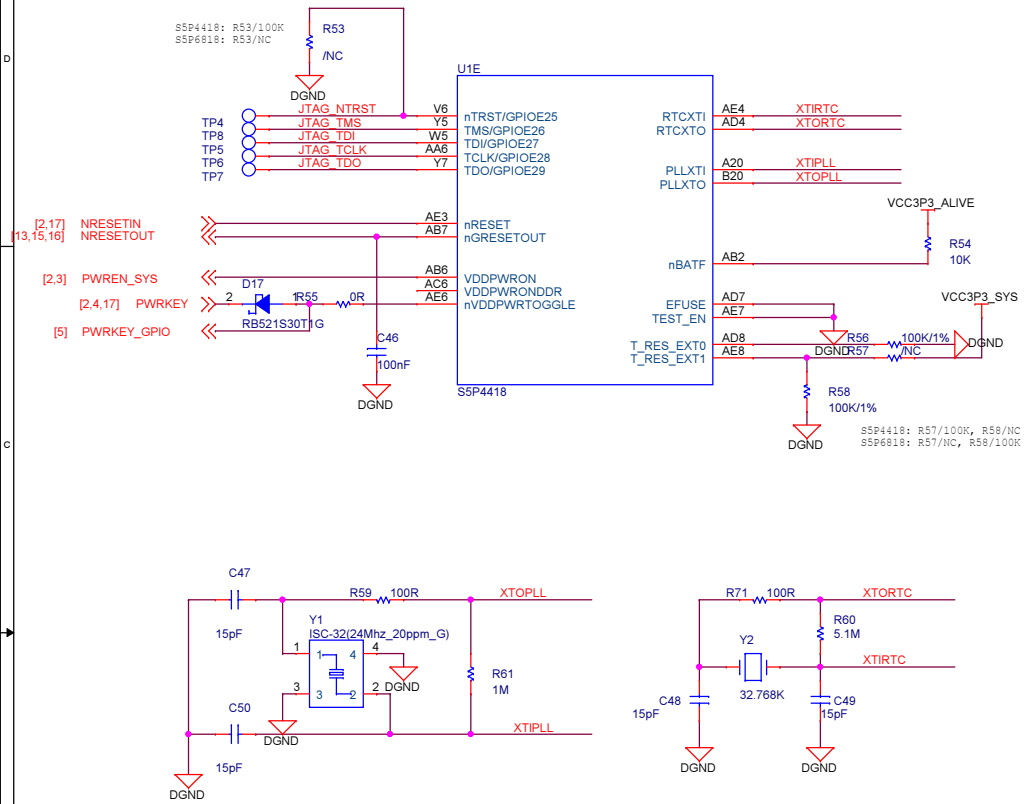
PMIC



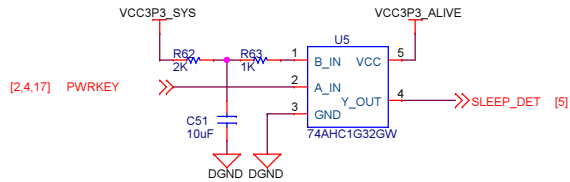
RTC Power



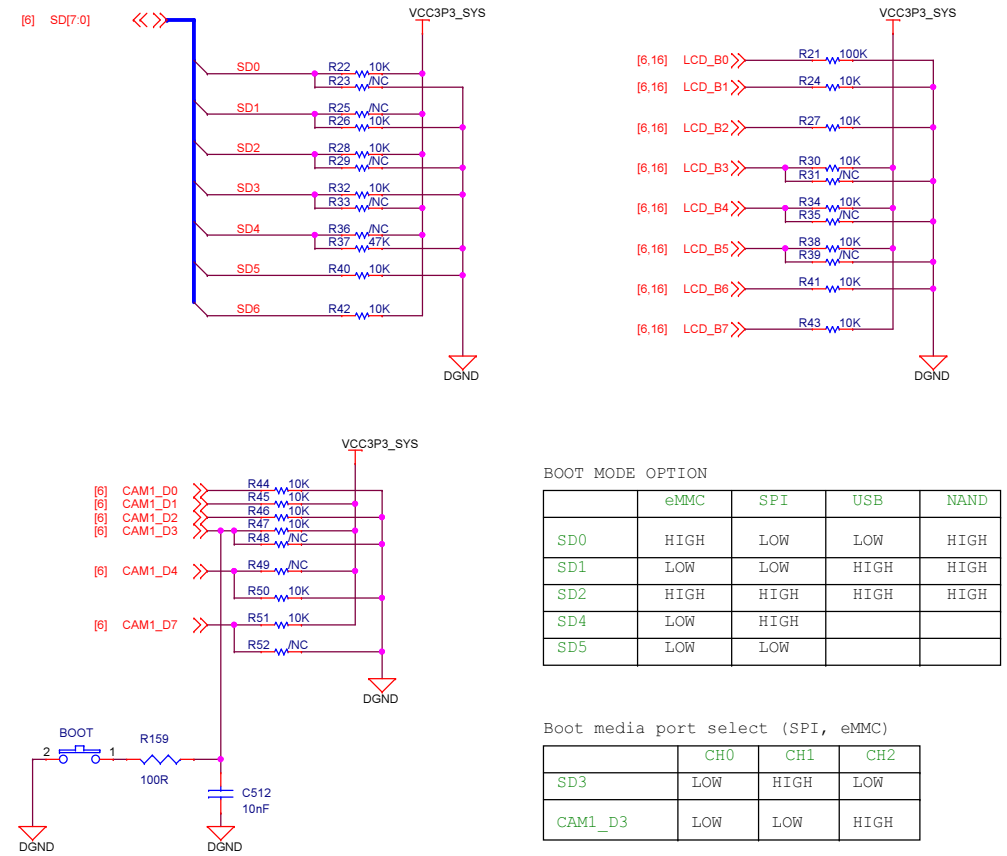
System Reset, Clocks



Sleep Detect



Boot Mode Config



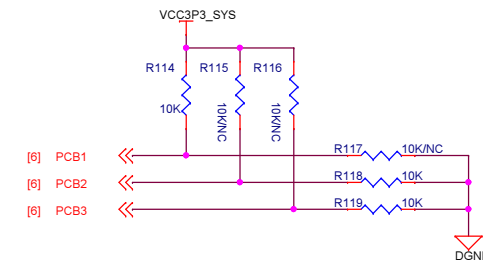
BOOT MODE OPTION

	eMMC	SPI	USB	NAND
SD0	HIGH	LOW	LOW	HIGH
SD1	LOW	LOW	HIGH	HIGH
SD2	HIGH	HIGH	HIGH	HIGH
SD4	LOW	HIGH		
SD5	LOW	LOW		

Boot media port select (SPI, eMMC)

	CH0	CH1	CH2
SD3	LOW	HIGH	LOW
CAM1_D3	LOW	LOW	HIGH

PCB Version

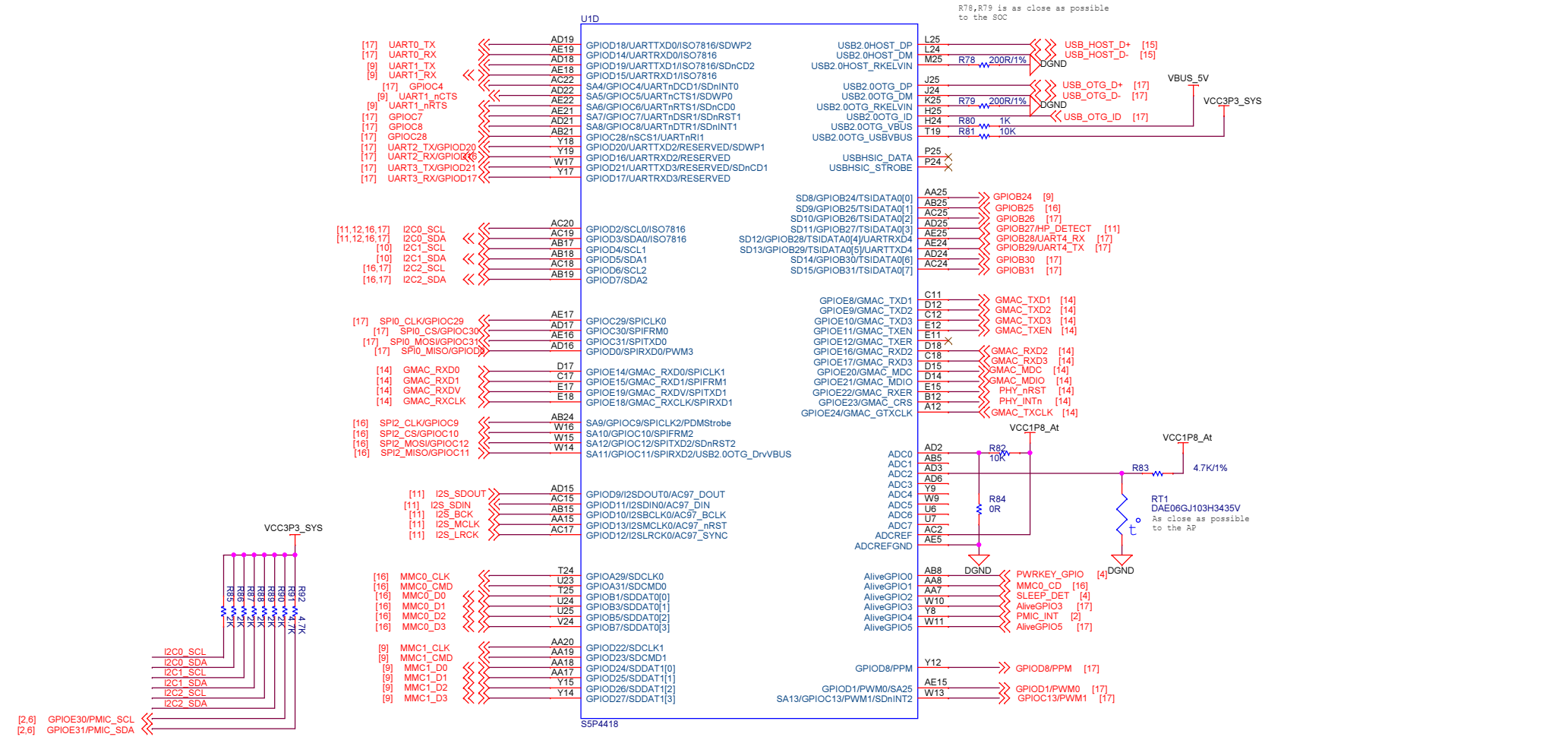


FRIENDLYARM

NanoPC-TZ/T3

Size A3	Document Number 04.AP System Control	Rev 1603
Date: Thursday, March 31, 2016	Sheet 4	of 17

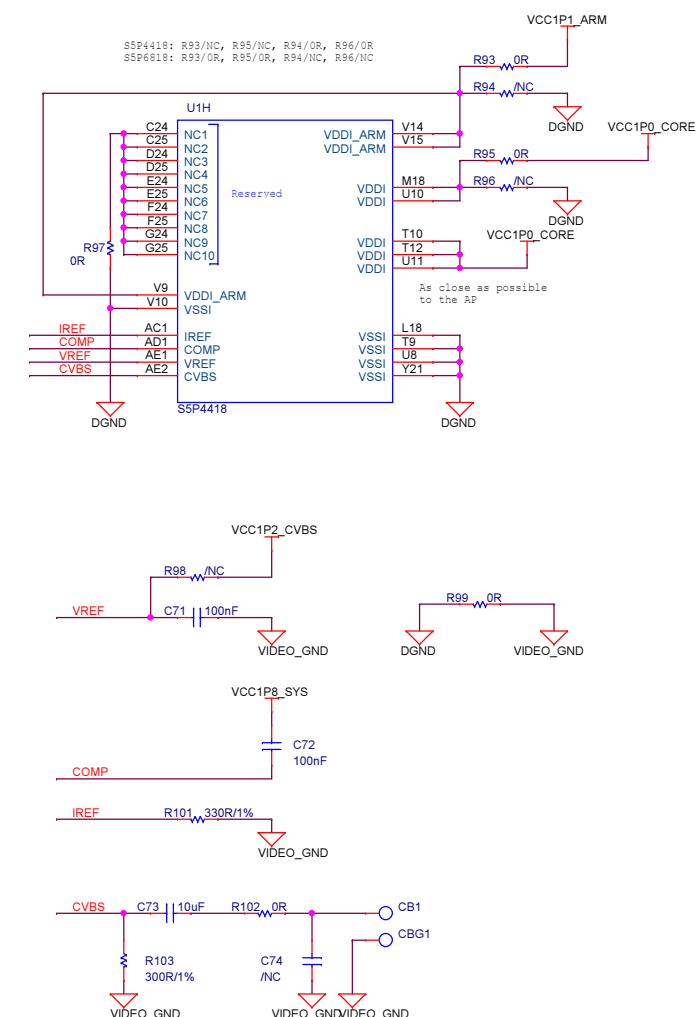
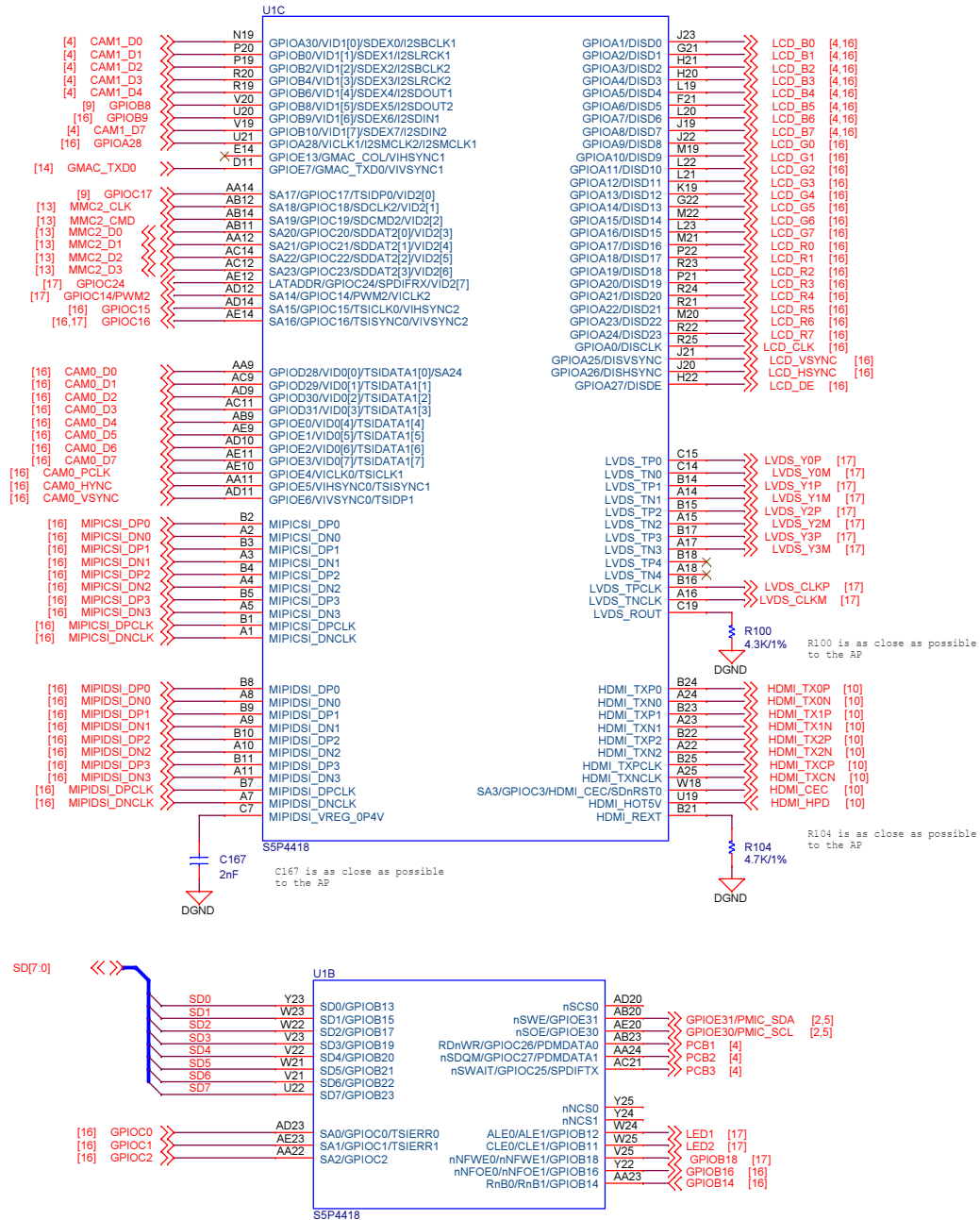
AP Peripherals



I2C CH0 : Camera
 I2C CH1 : HDMI EDID
 I2C CH2 : Touch
 PMIC_I2C : PMIC

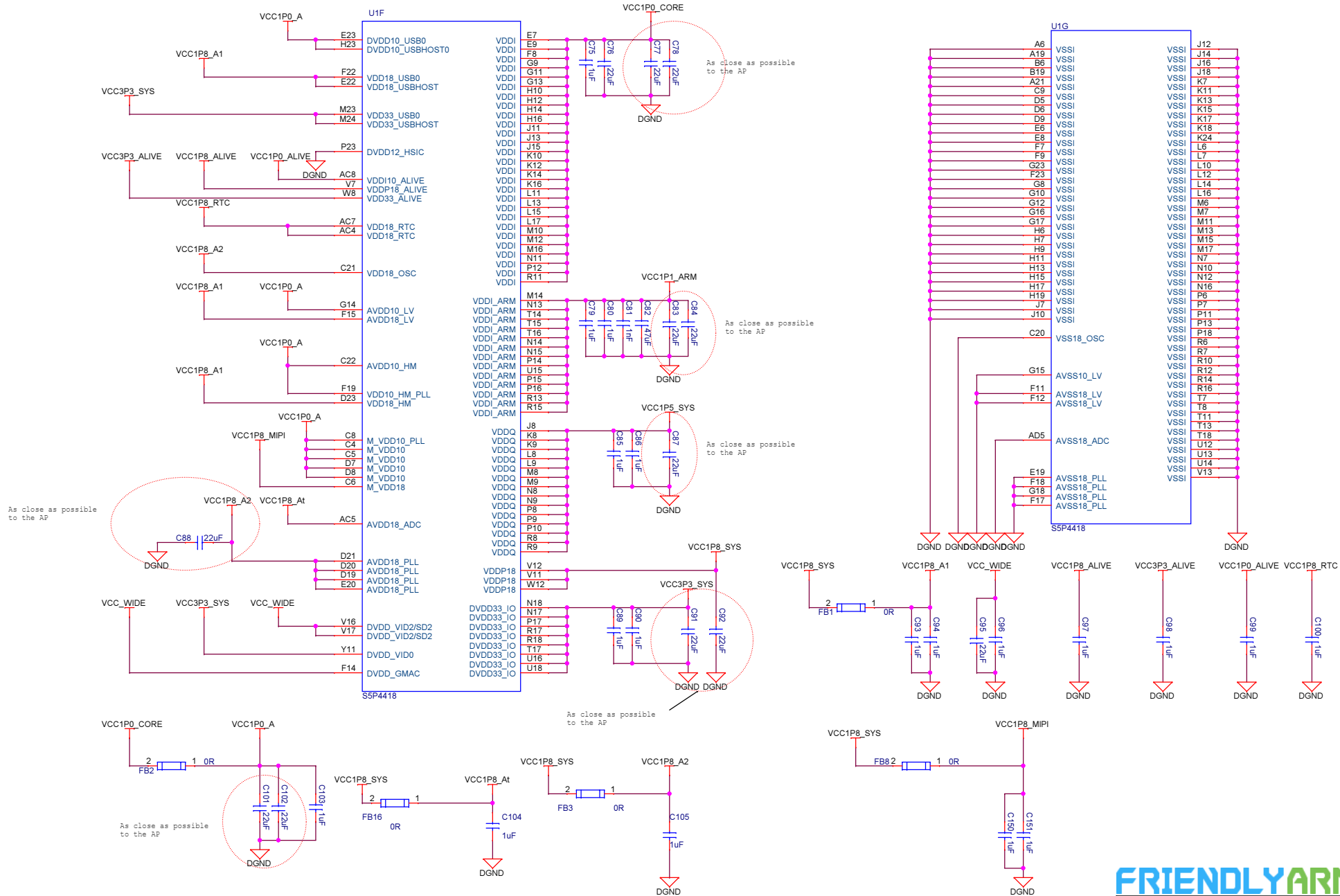
AP VIP&Display

Reserved Function

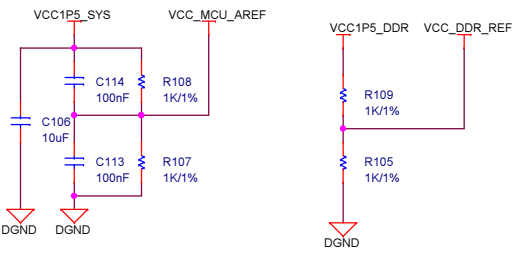
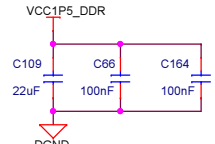
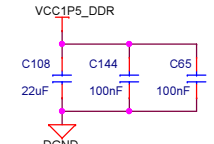
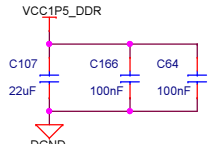
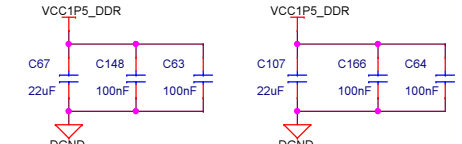
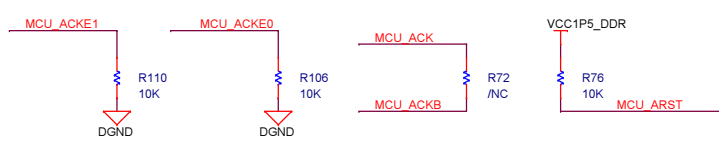
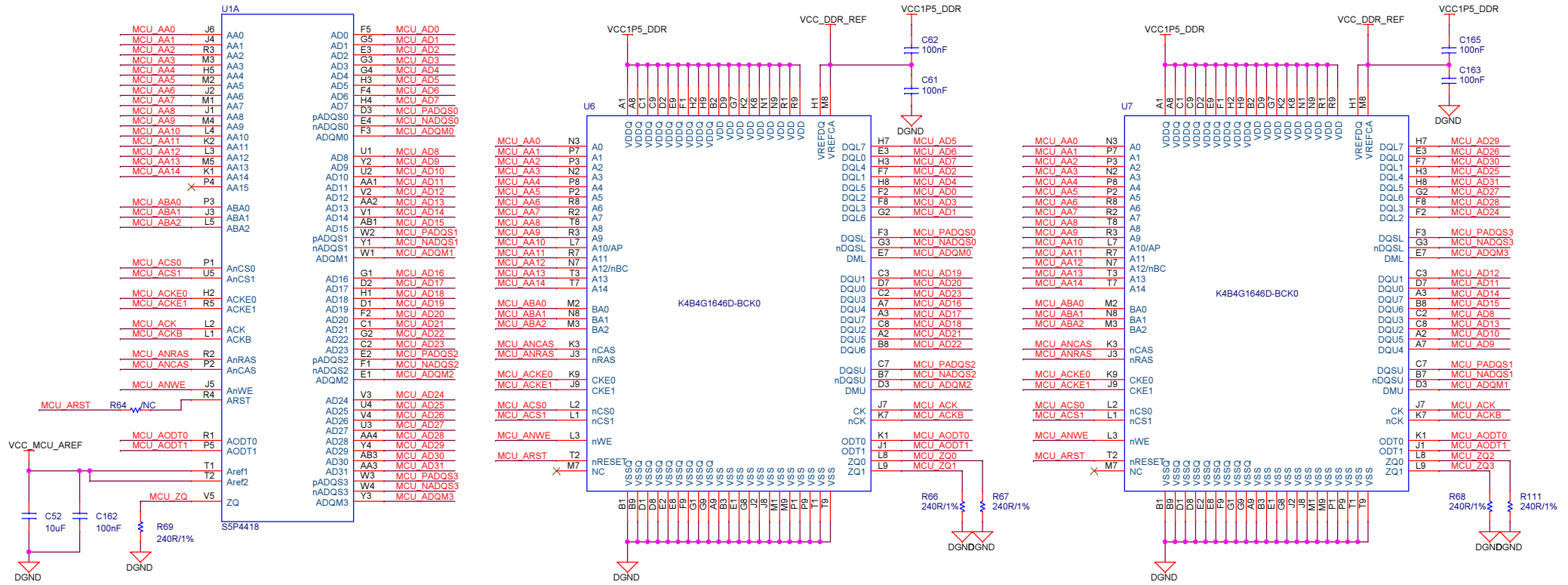


NanoPC-TZ/T3		
Size A3	Document Number 06.AP.VIP&Display	Rev 1603
Date: Monday, April 25, 2016	Sheet 6	of 17

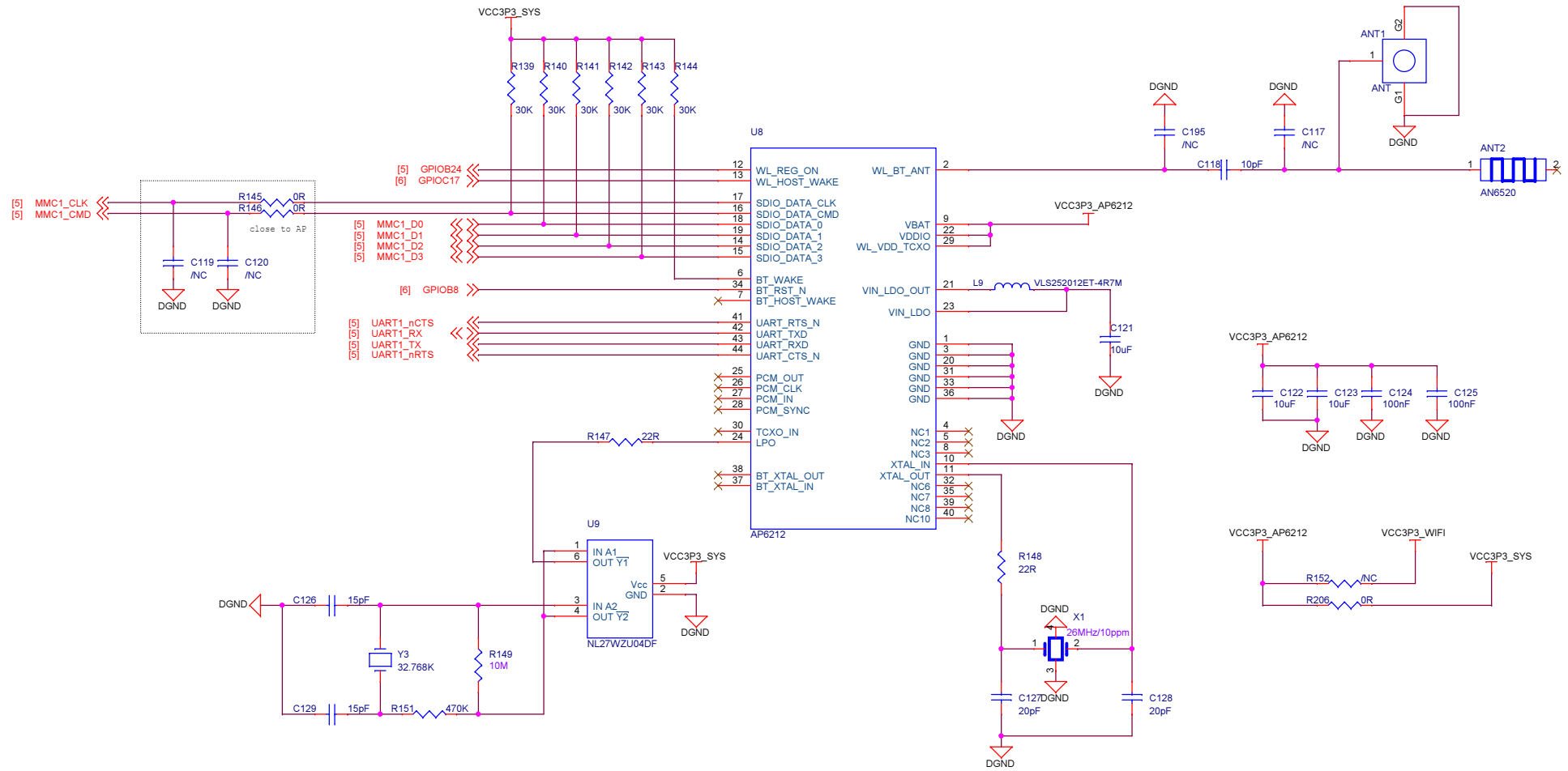
AP Power



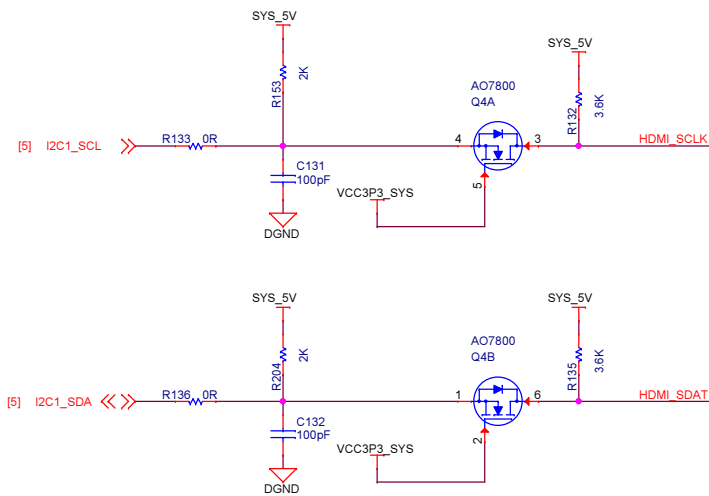
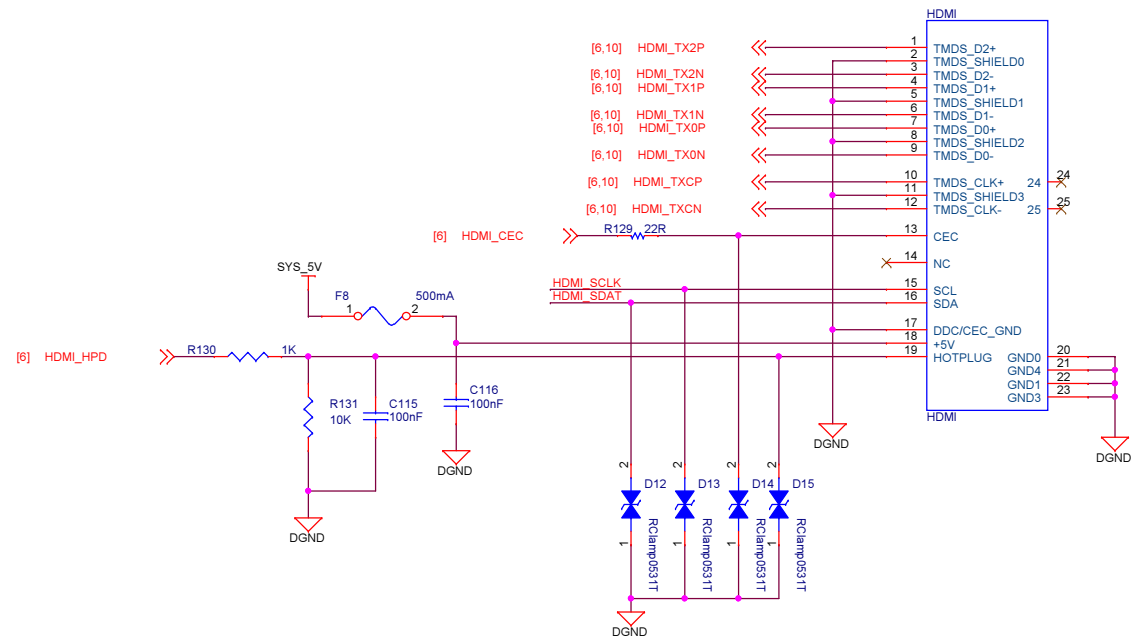
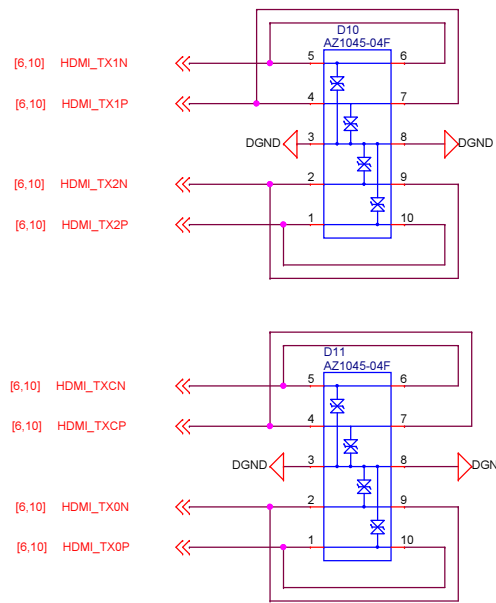
DDR3



Wi-Fi/Bluetooth



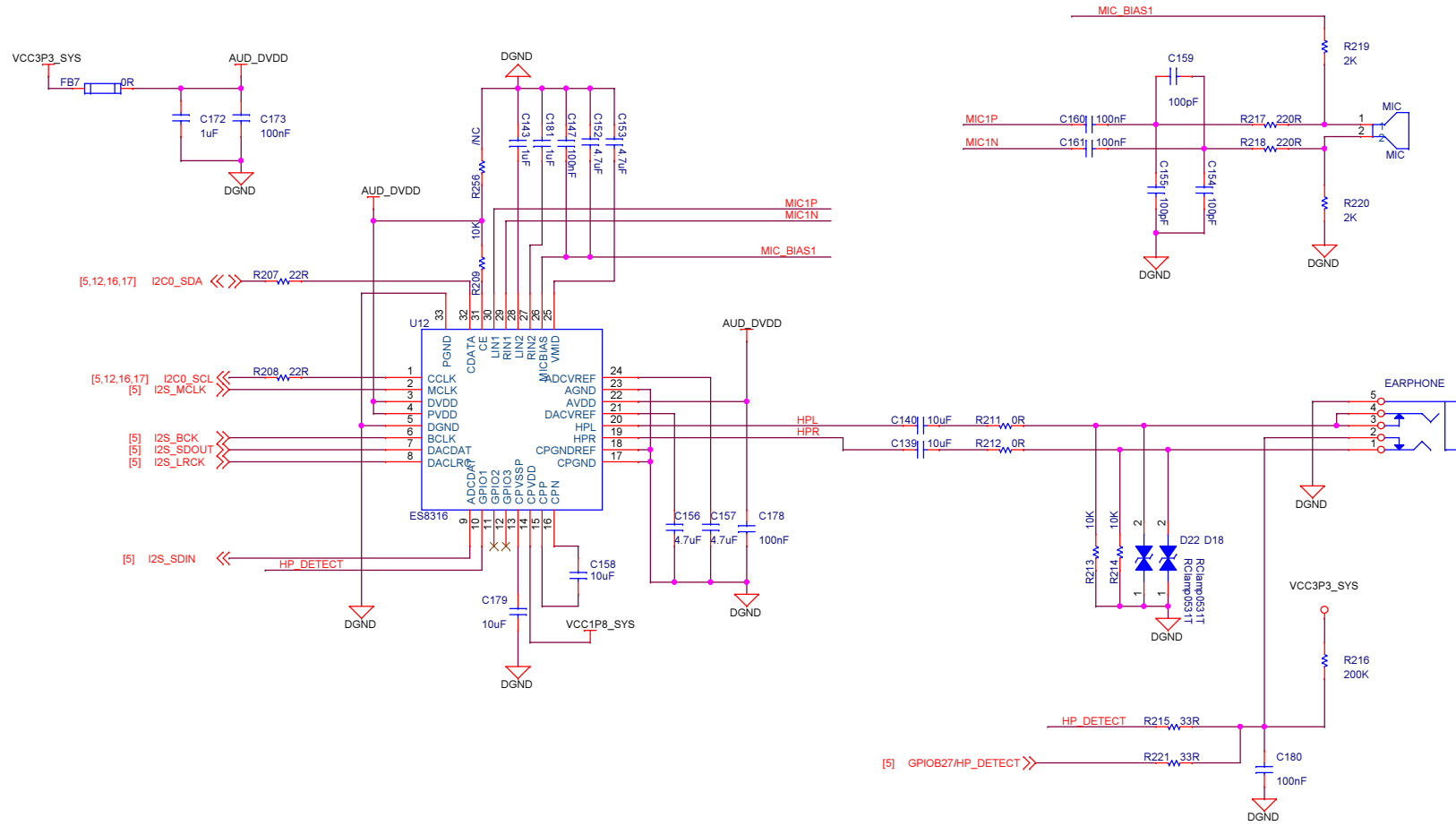
HDMI



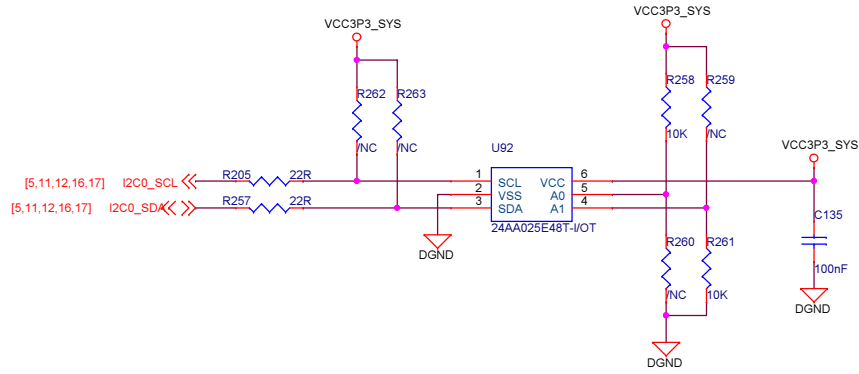
FRIENDLYARM

NanoPC-TZ/T3		
Size A3	Document Number 10.HDMI	Rev 1603
Date: Thursday, March 31, 2016	Sheet 10	of 17

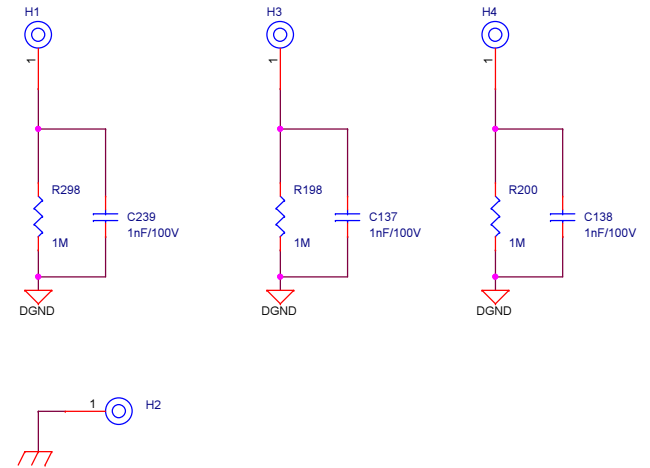
Audio



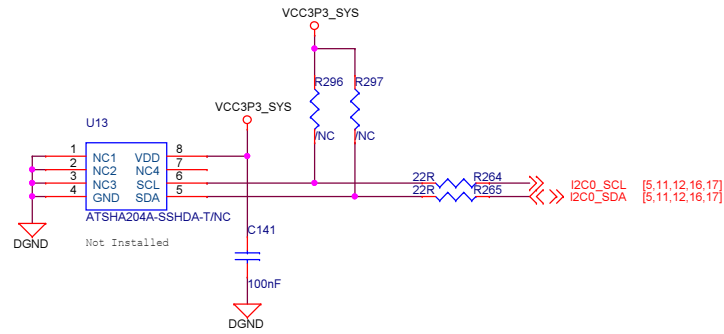
EEPROM with MAC Address



Mounting Holes



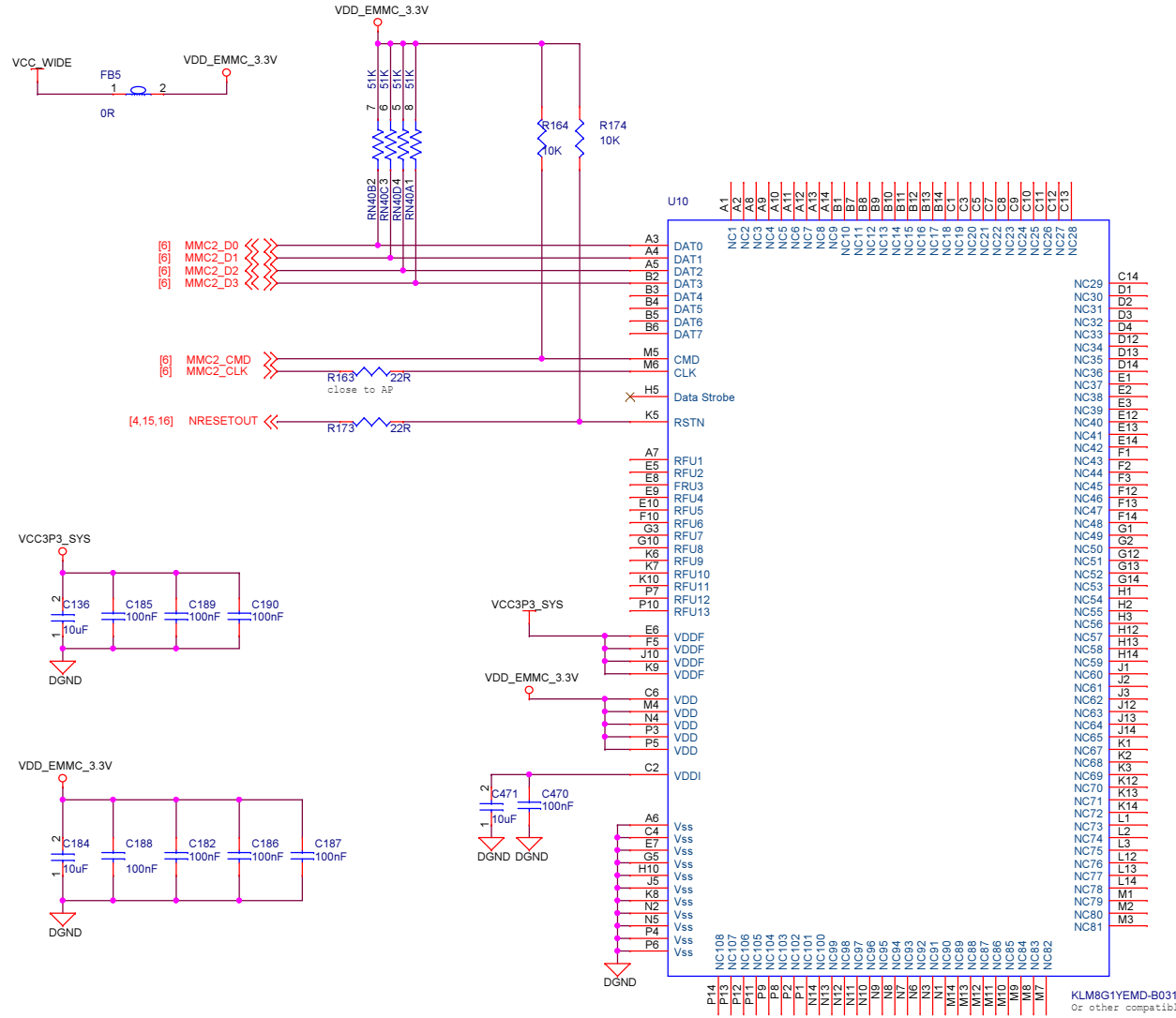
CryptoAuthentication



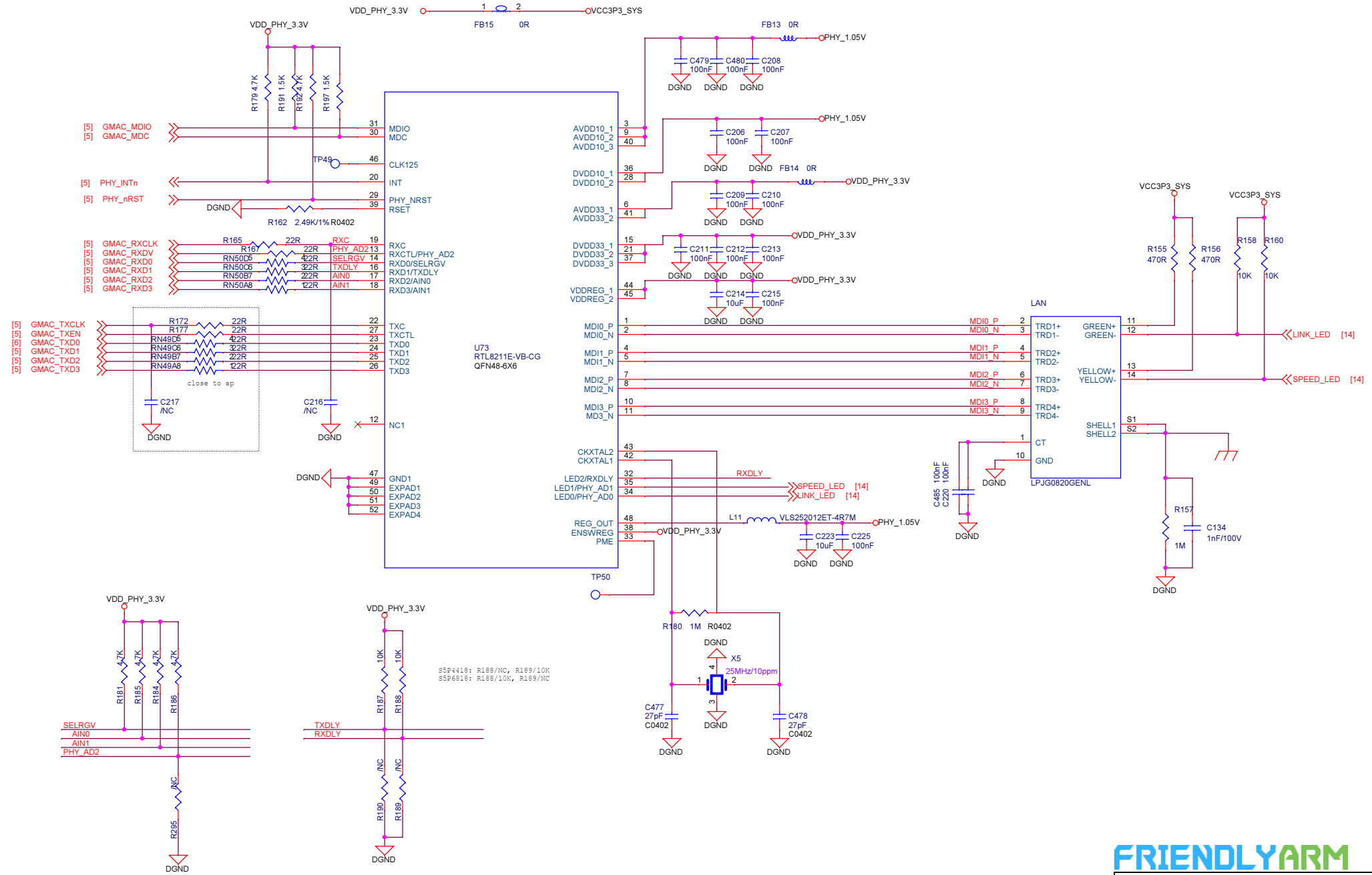
FRIENDLYARM

NanoPC-T2/T3		
Size	Document Number	Rev
A3	12.EEPROM_SHA-256_Holes	1603
Date:	Thursday, March 31, 2016	Sheet 12 of 17

eMMC

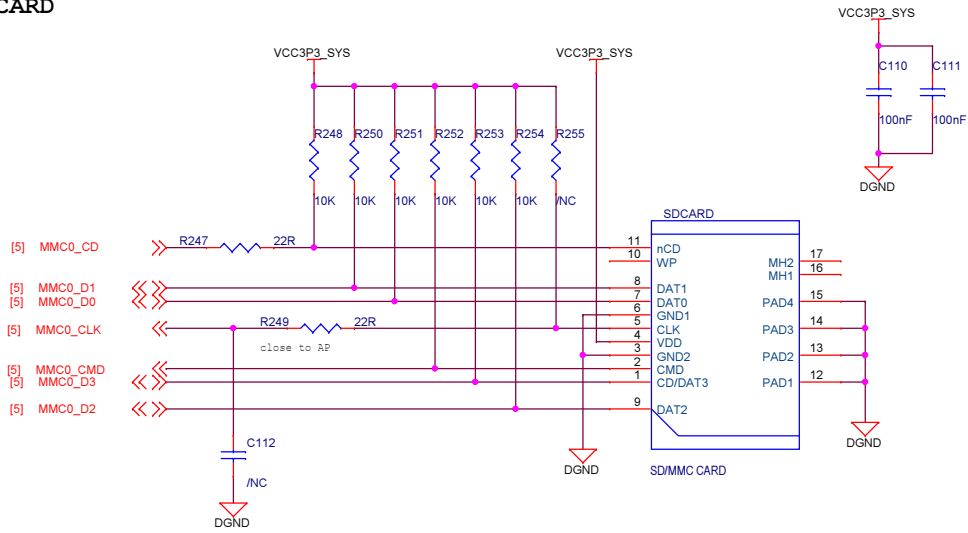


10/100/1000M Ethernet

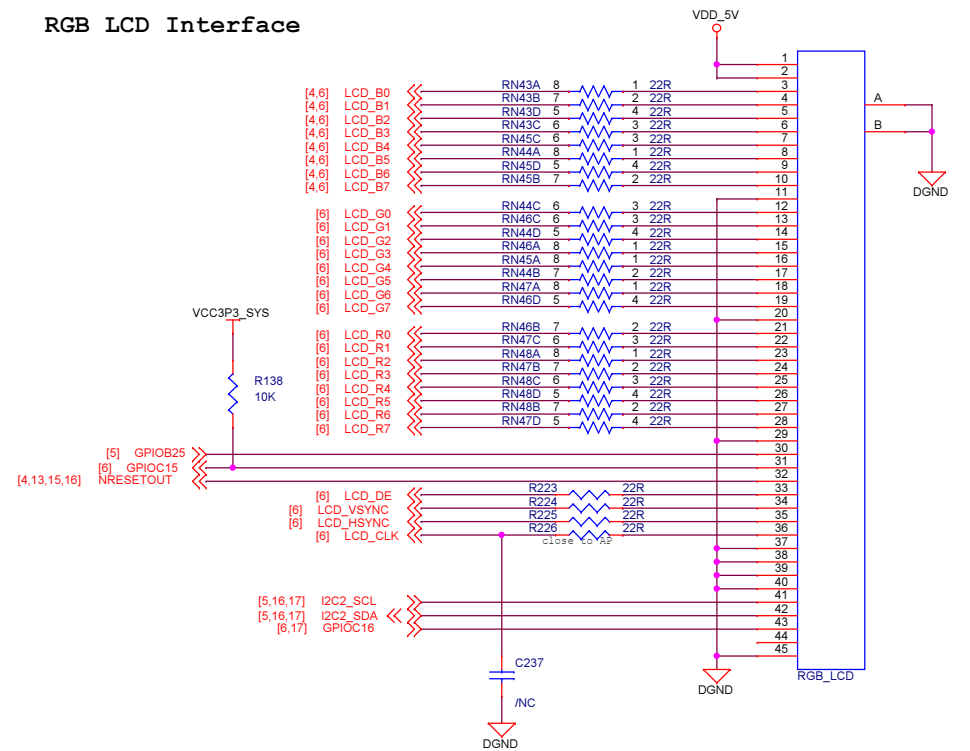


NanoPC-T2/T3		
Size A3	Document Number 14.LAN	Rev 1603
Date: Friday, April 08, 2016	Sheet 14 of 17	

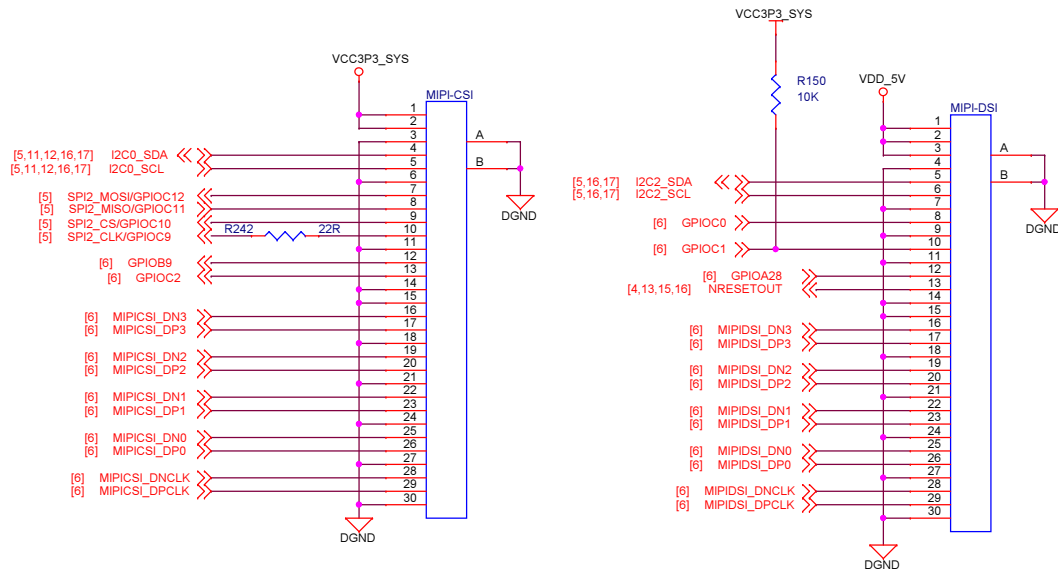
SDCARD



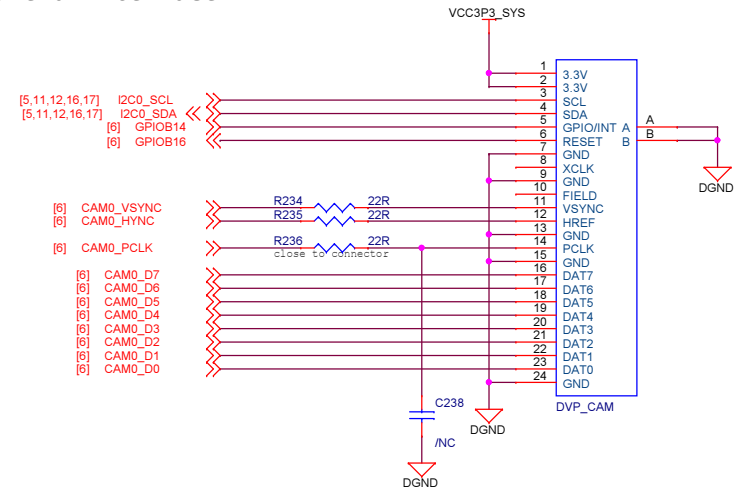
RGB LCD Interface



MIPI Interface

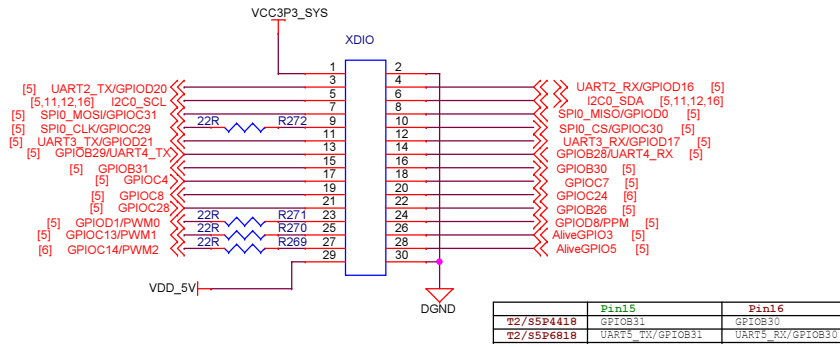


Camera Interface

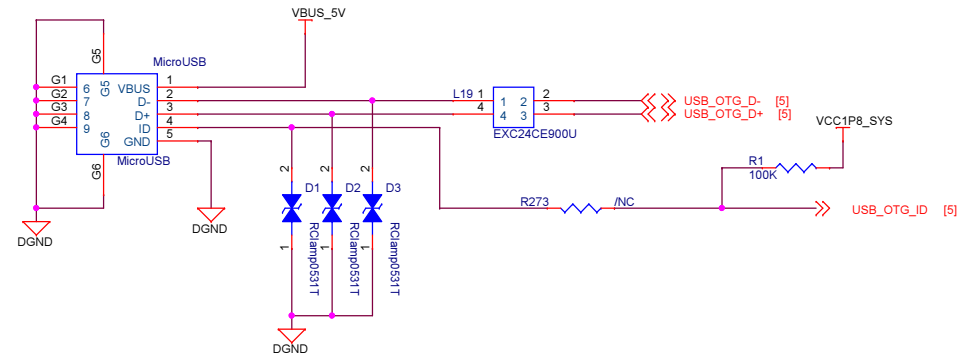


FRIENDLYARM

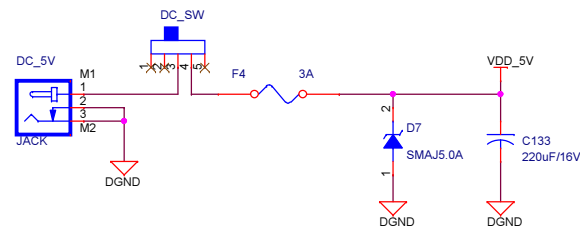
2.54mm Header



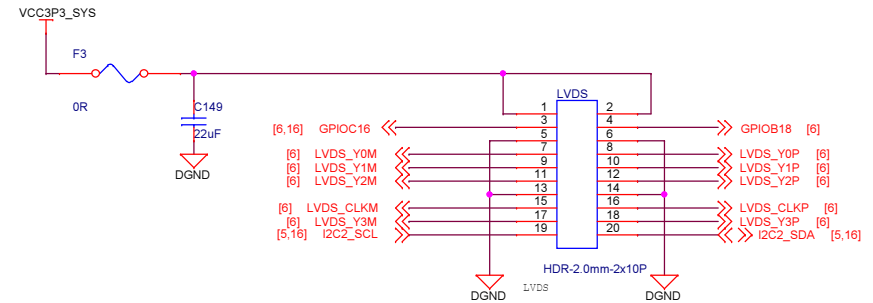
MicroUSB



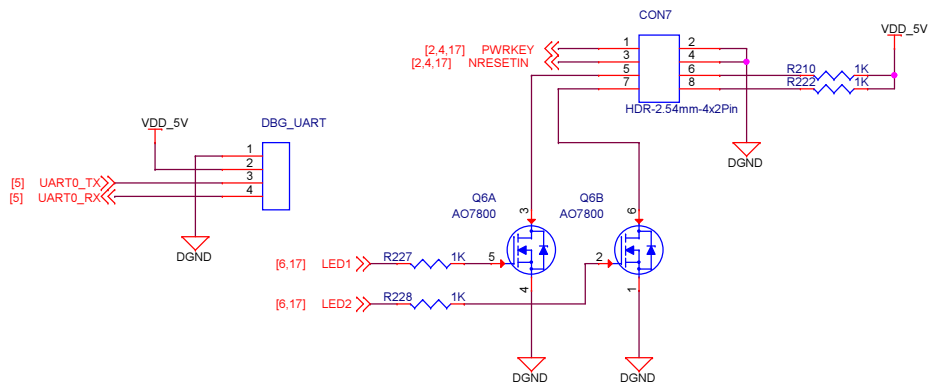
5V Power IN



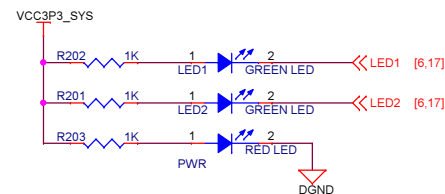
LVDS



Debug UART



LEDs



Buttons



FRIENDLYARM