

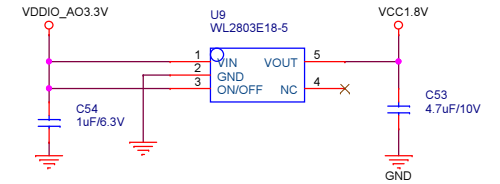
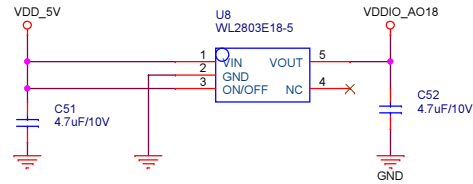
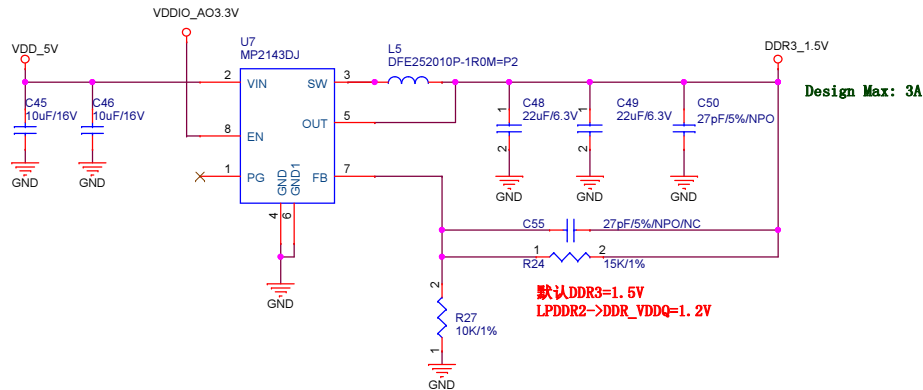
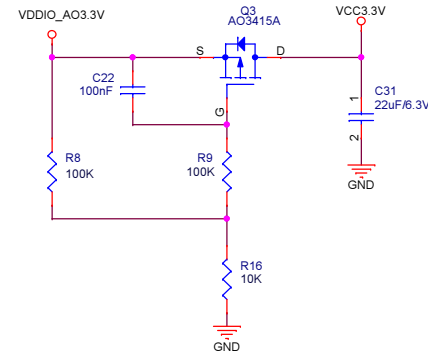
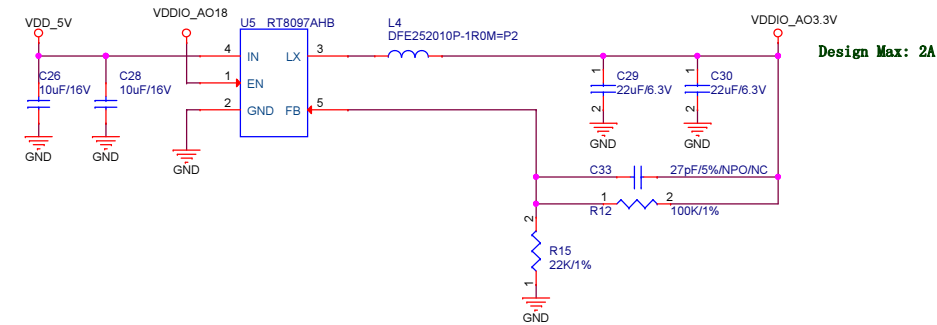
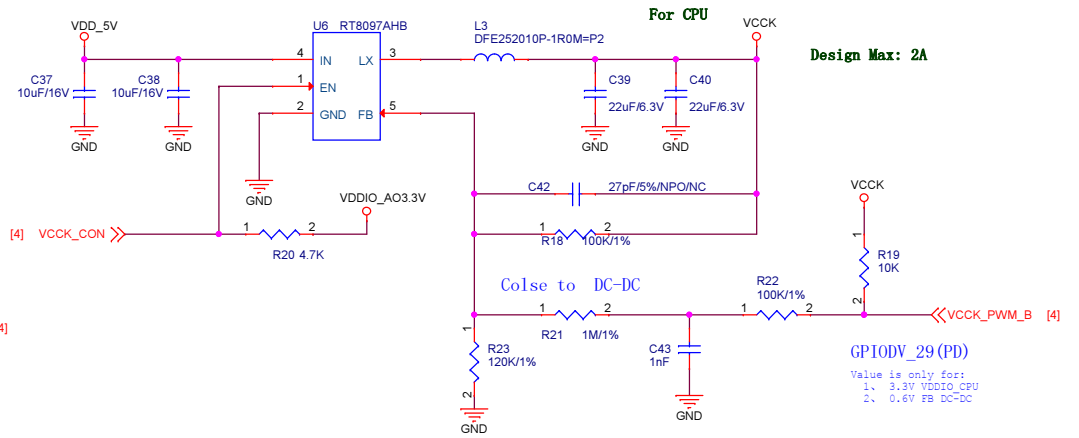
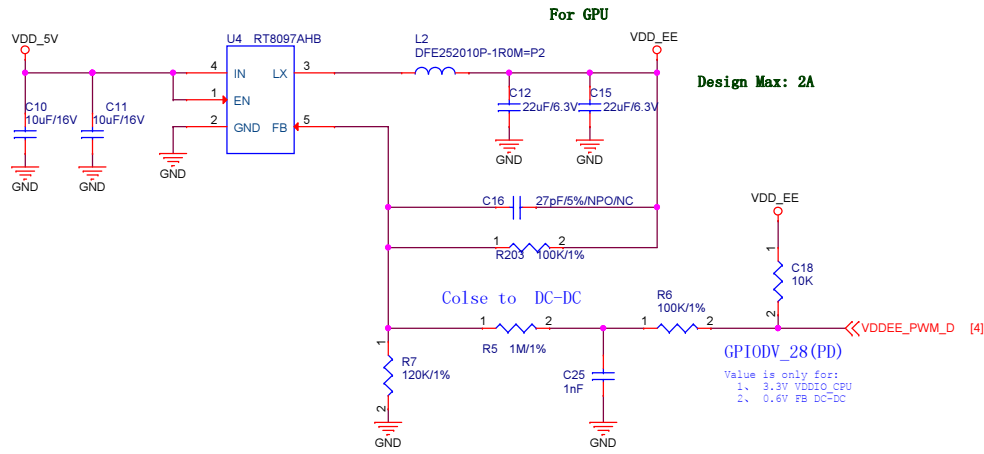
# NanoPi K2

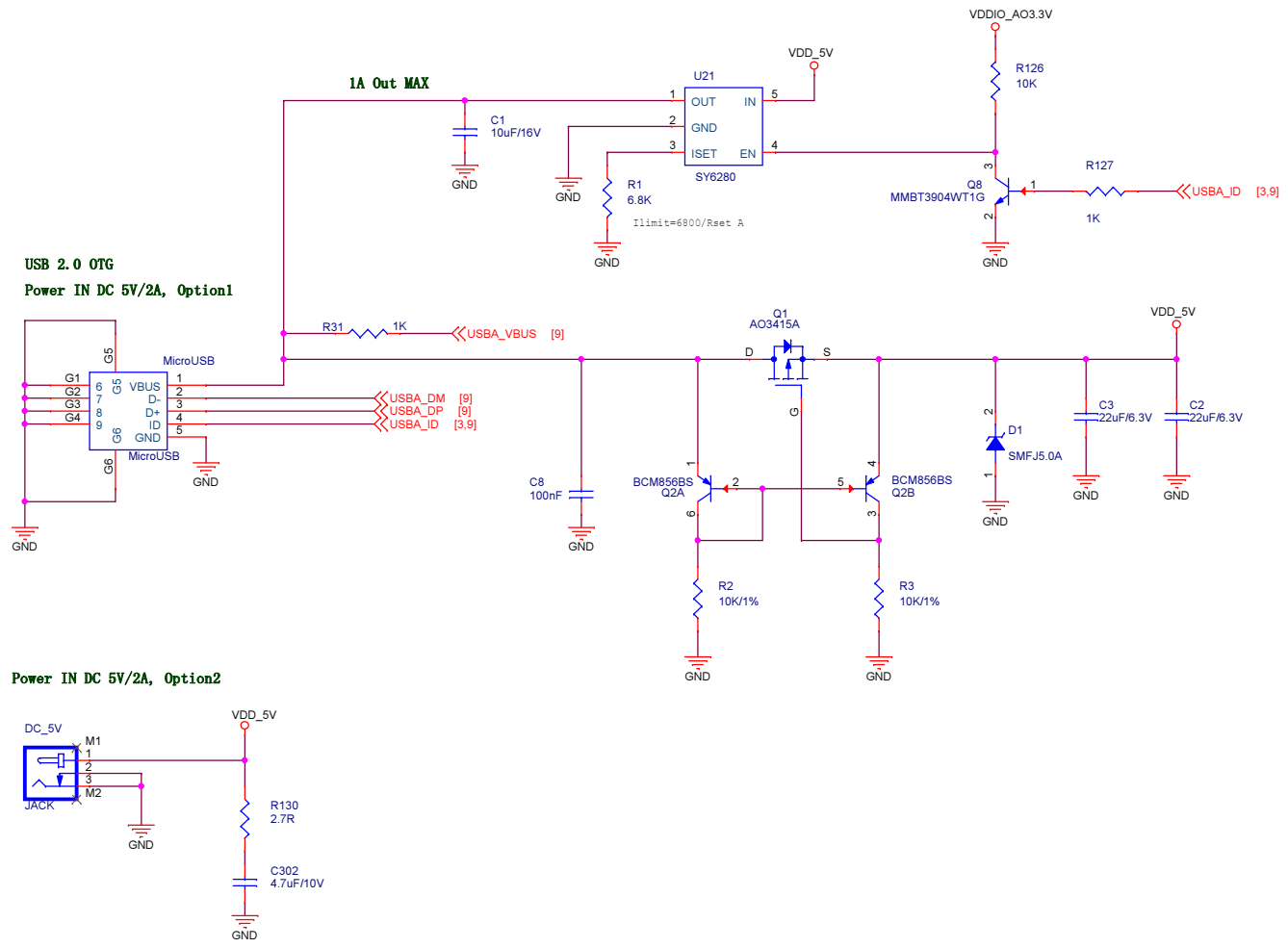
Revision

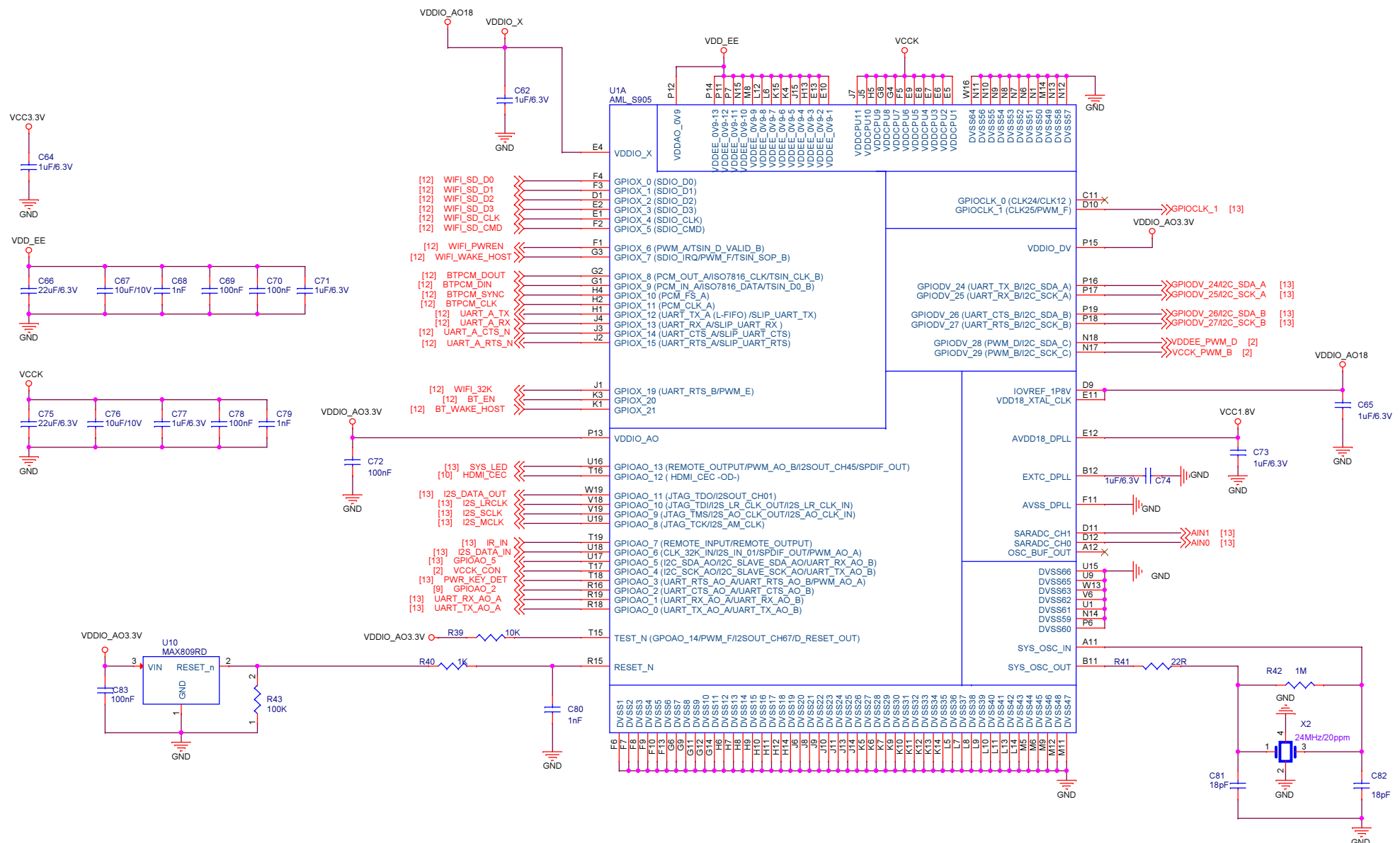
1701 , First Release

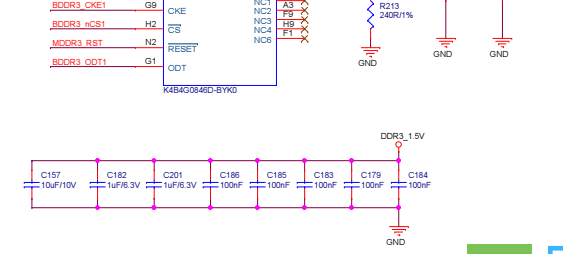
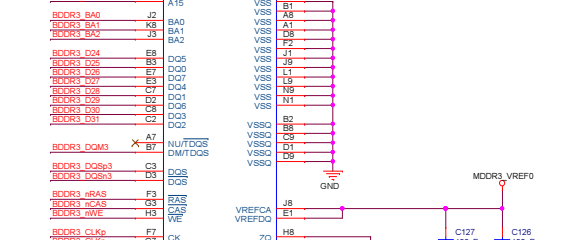
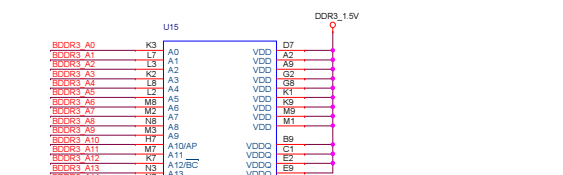
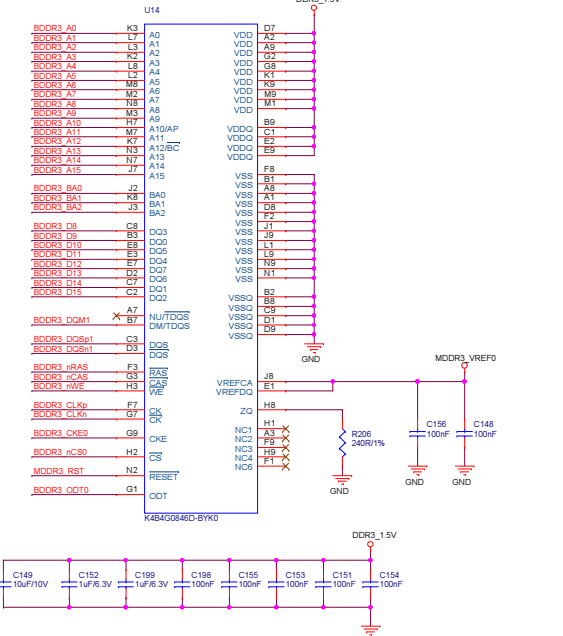
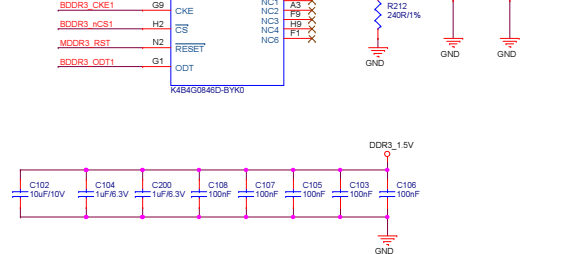
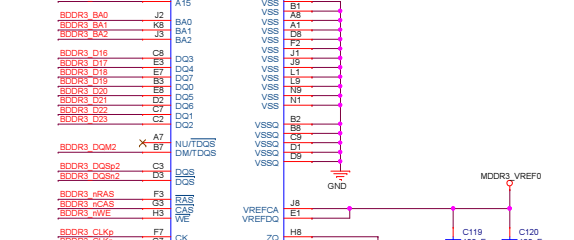
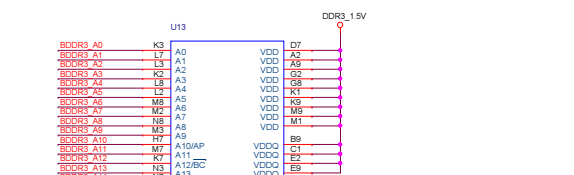
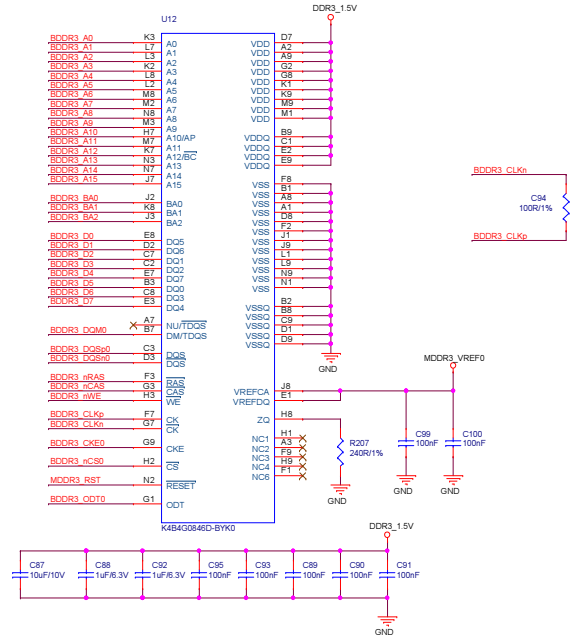
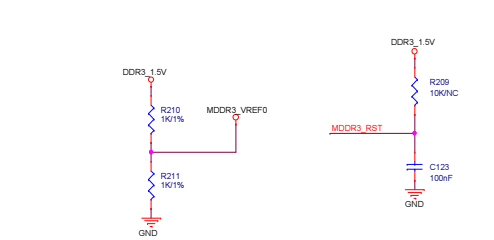
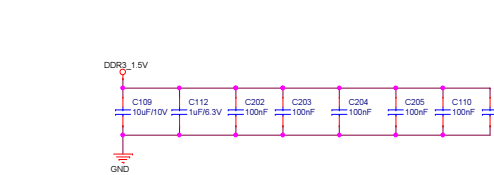
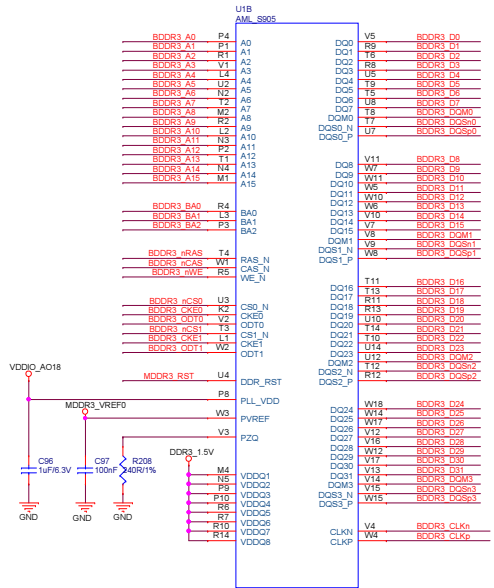


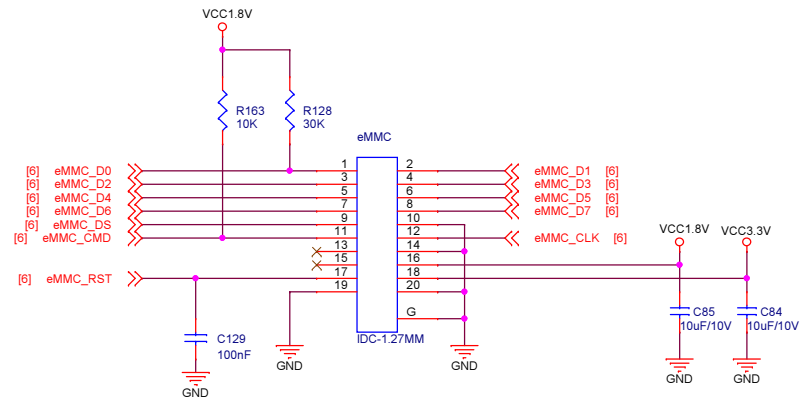
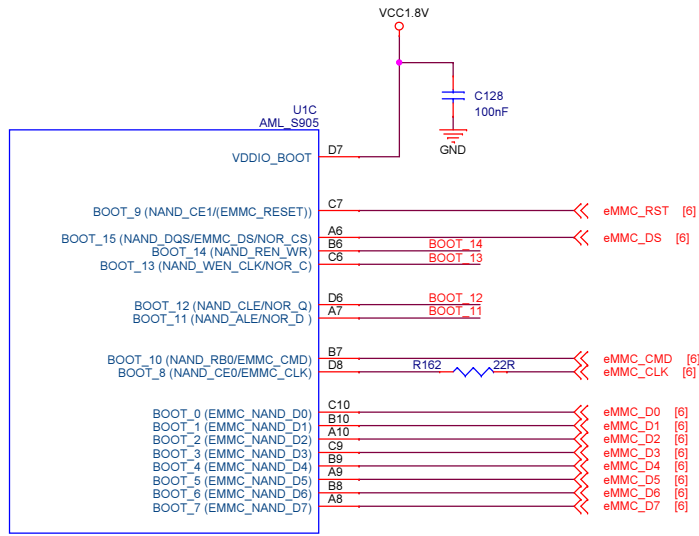
NanoPi K2		
Size A3	Document Number 01:Title	Rev 1701
Date:	Friday, April 07, 2017	Sheet 1 of 13



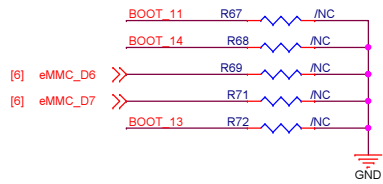






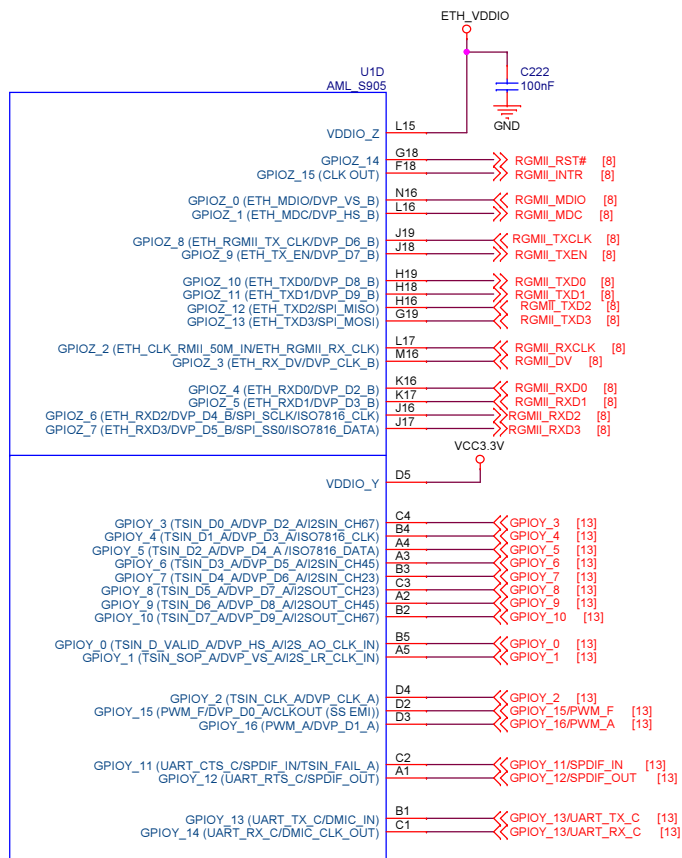


SDIO/eMMC Connector

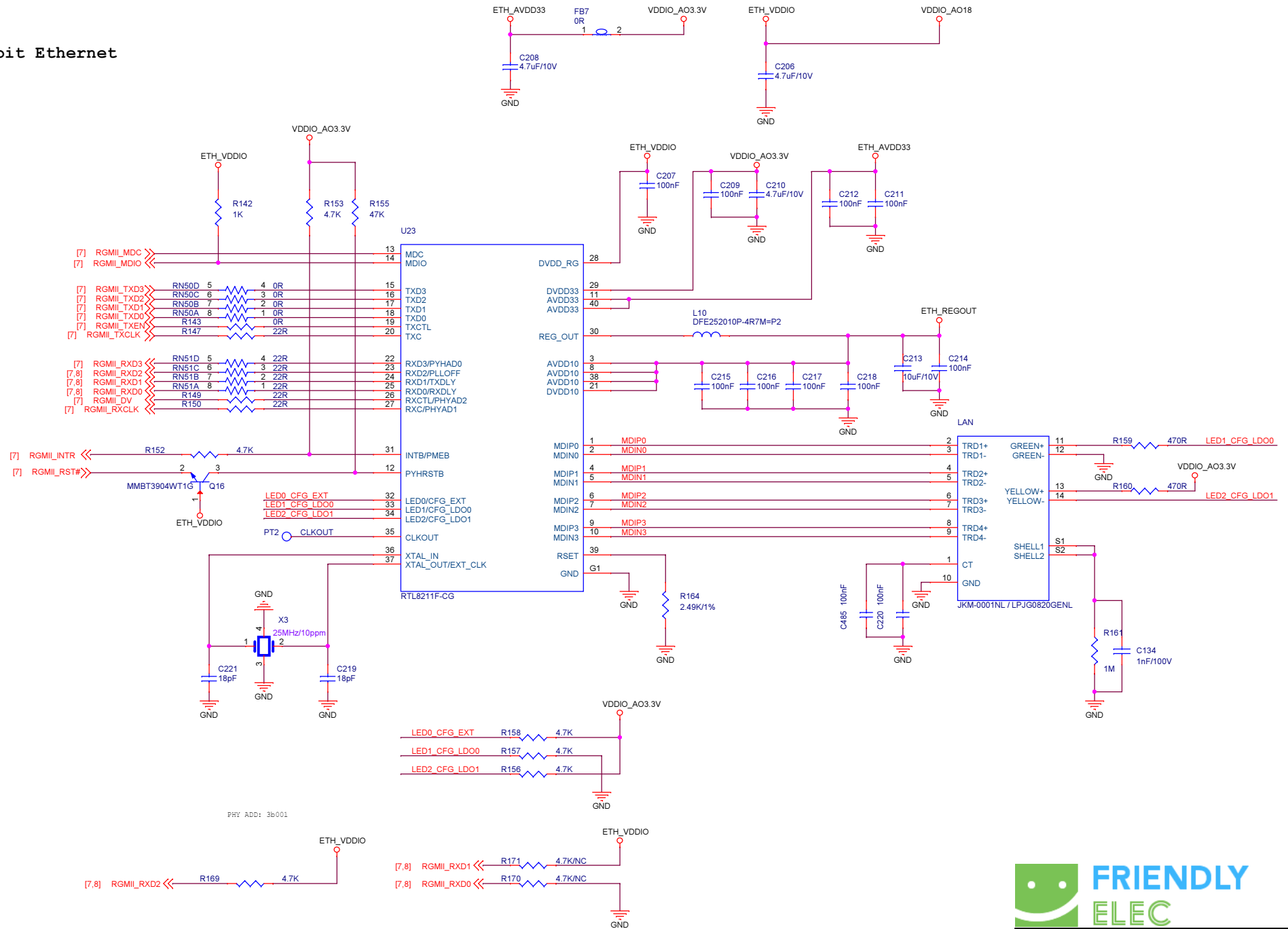


NAND\_CLE  
 1 = boot from NAND/eMMC  
 0 = boot from SPI

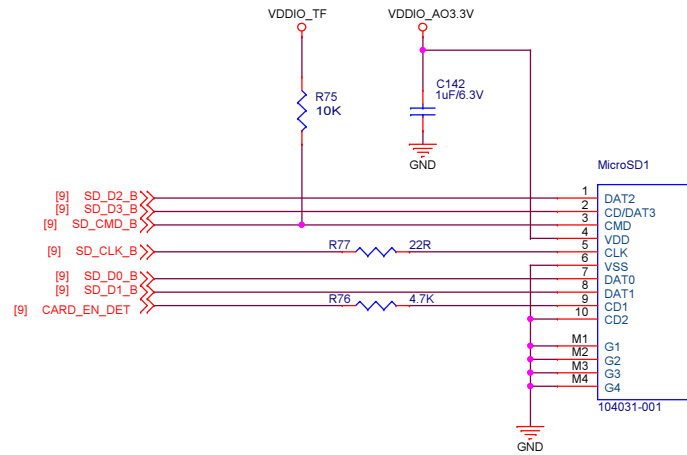
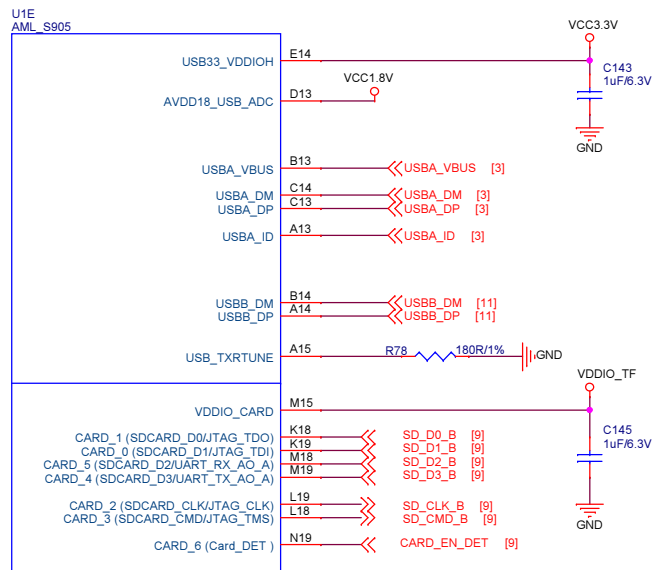




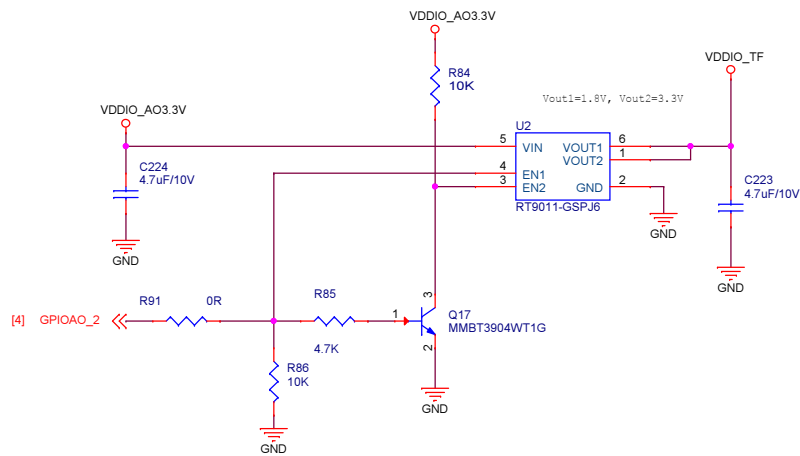
# Gigabit Ethernet

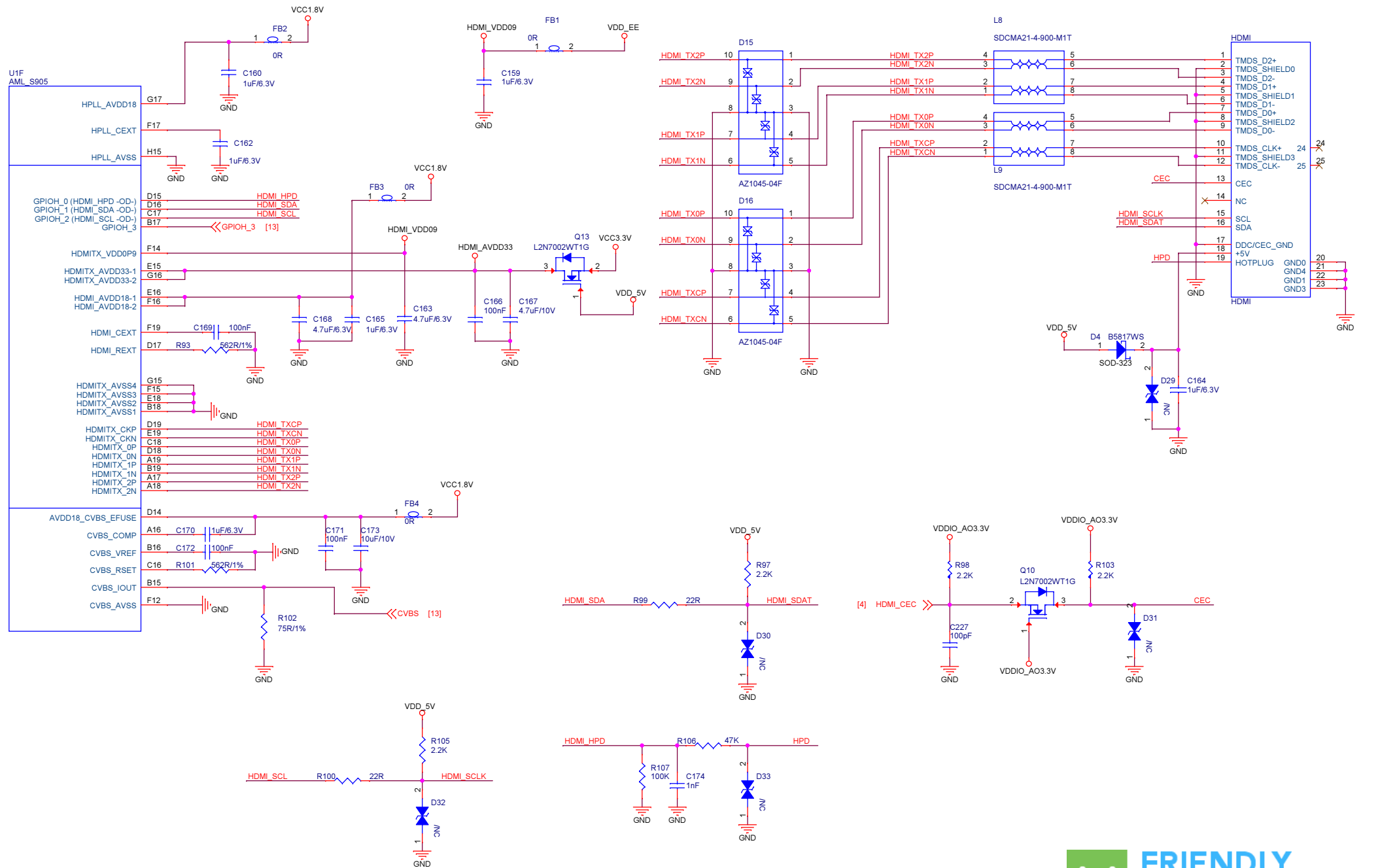




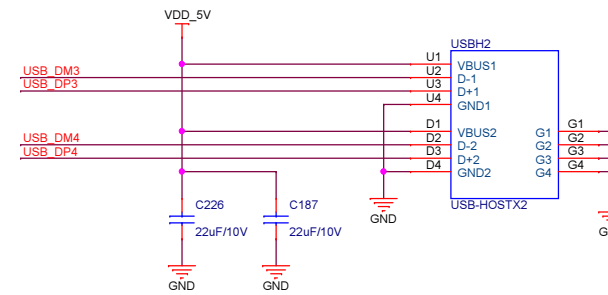
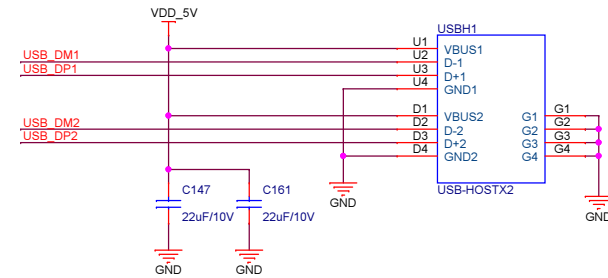
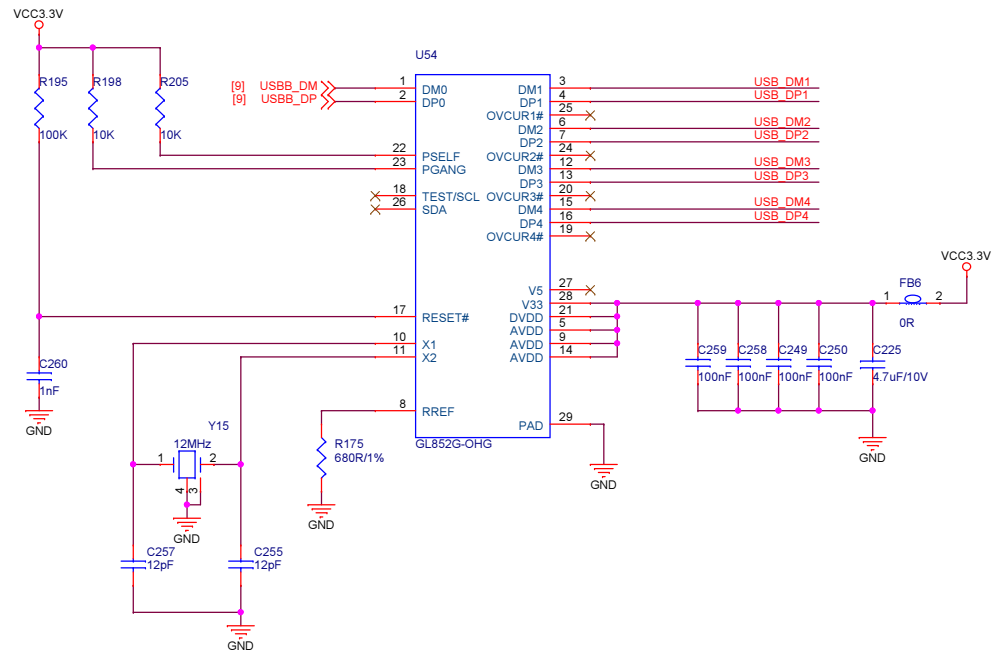


MicroSD Card Slot

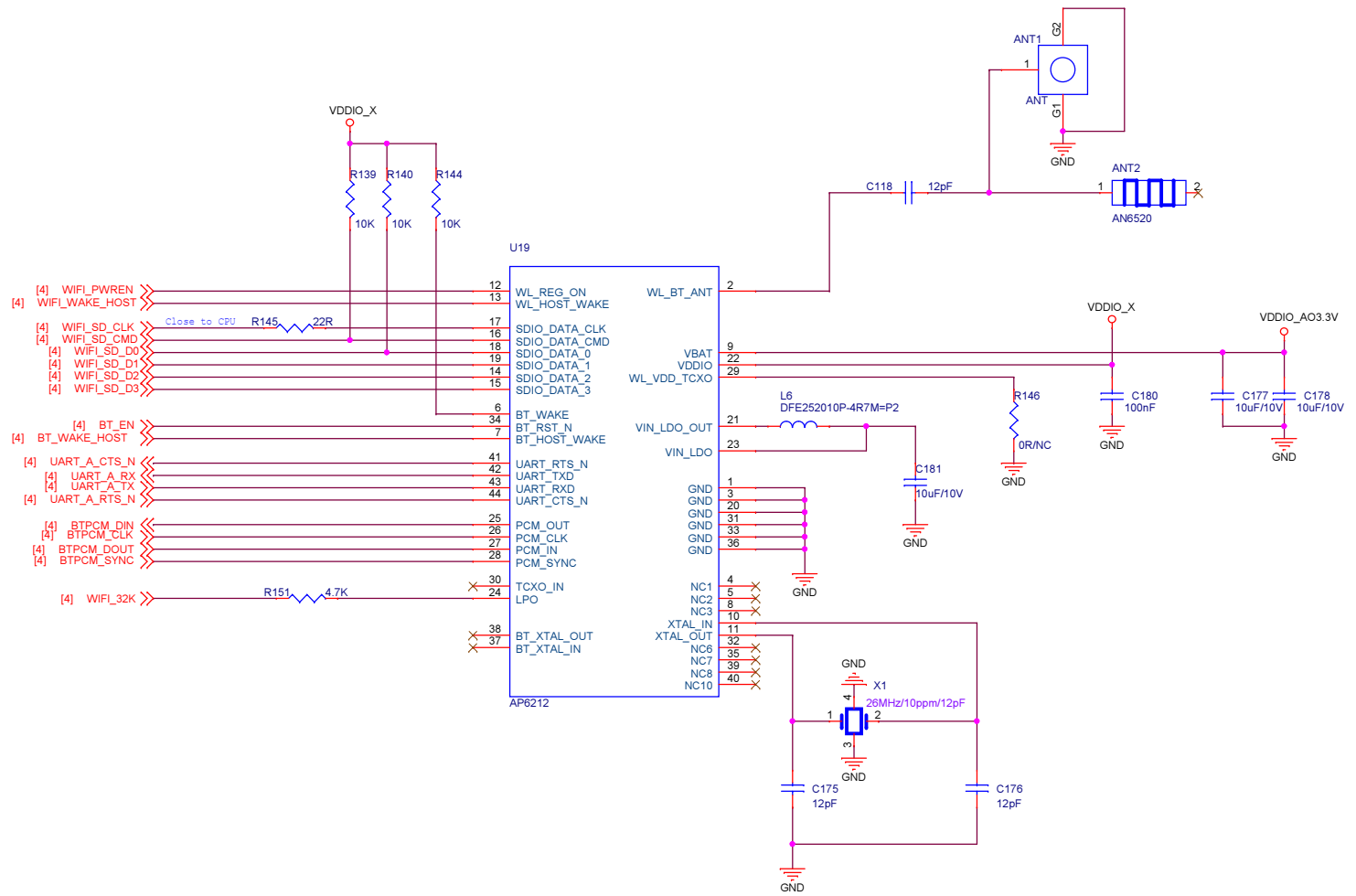


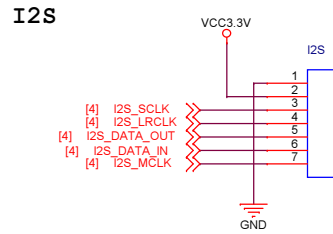
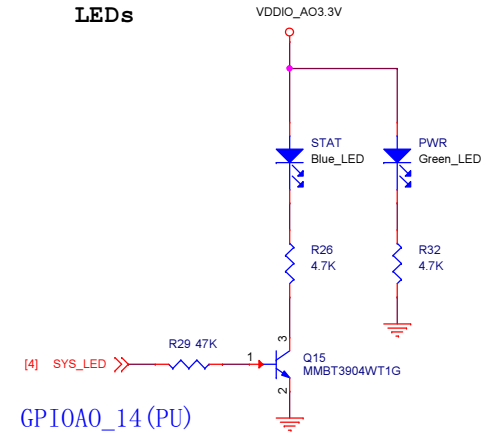
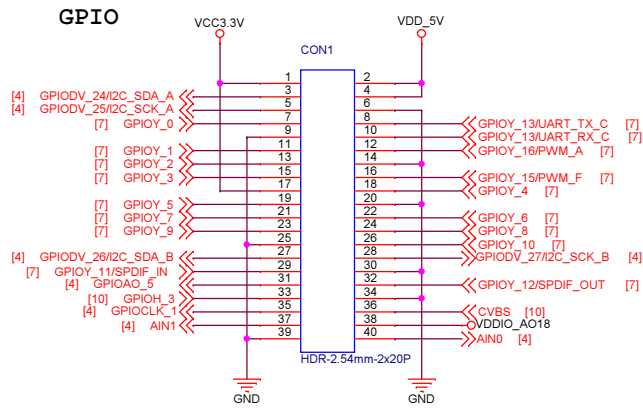


# USB 2.0 HUB

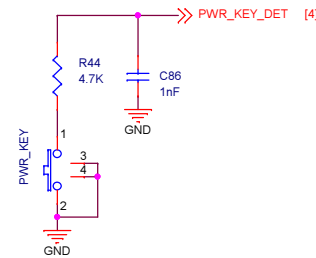


# Wi-Fi/Bluetooth

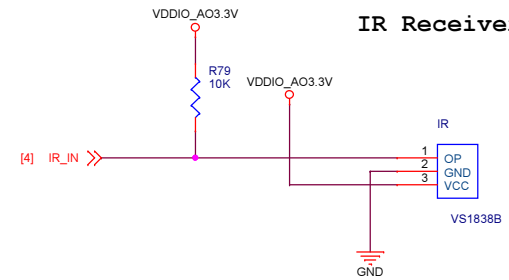




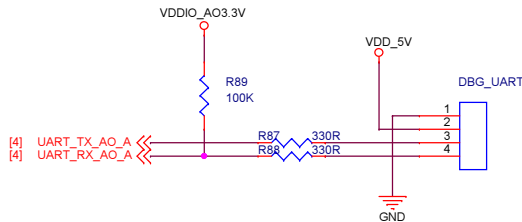
### Power Key



### IR Receiver



### Debug UART



NanoPi K2		
Size A3	Document Number 13:40Pin	Rev 1701
Date: Friday, April 07, 2017	Sheet 13	of 13