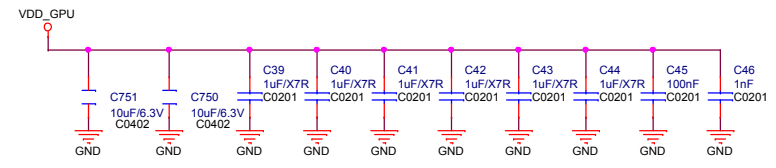
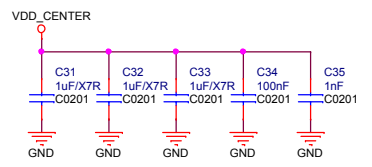
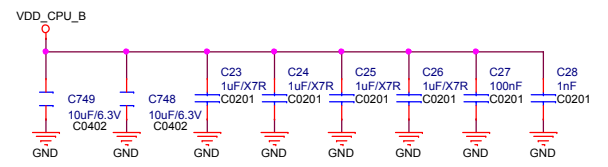
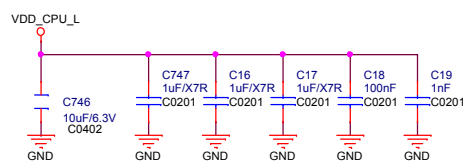
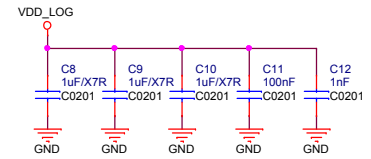
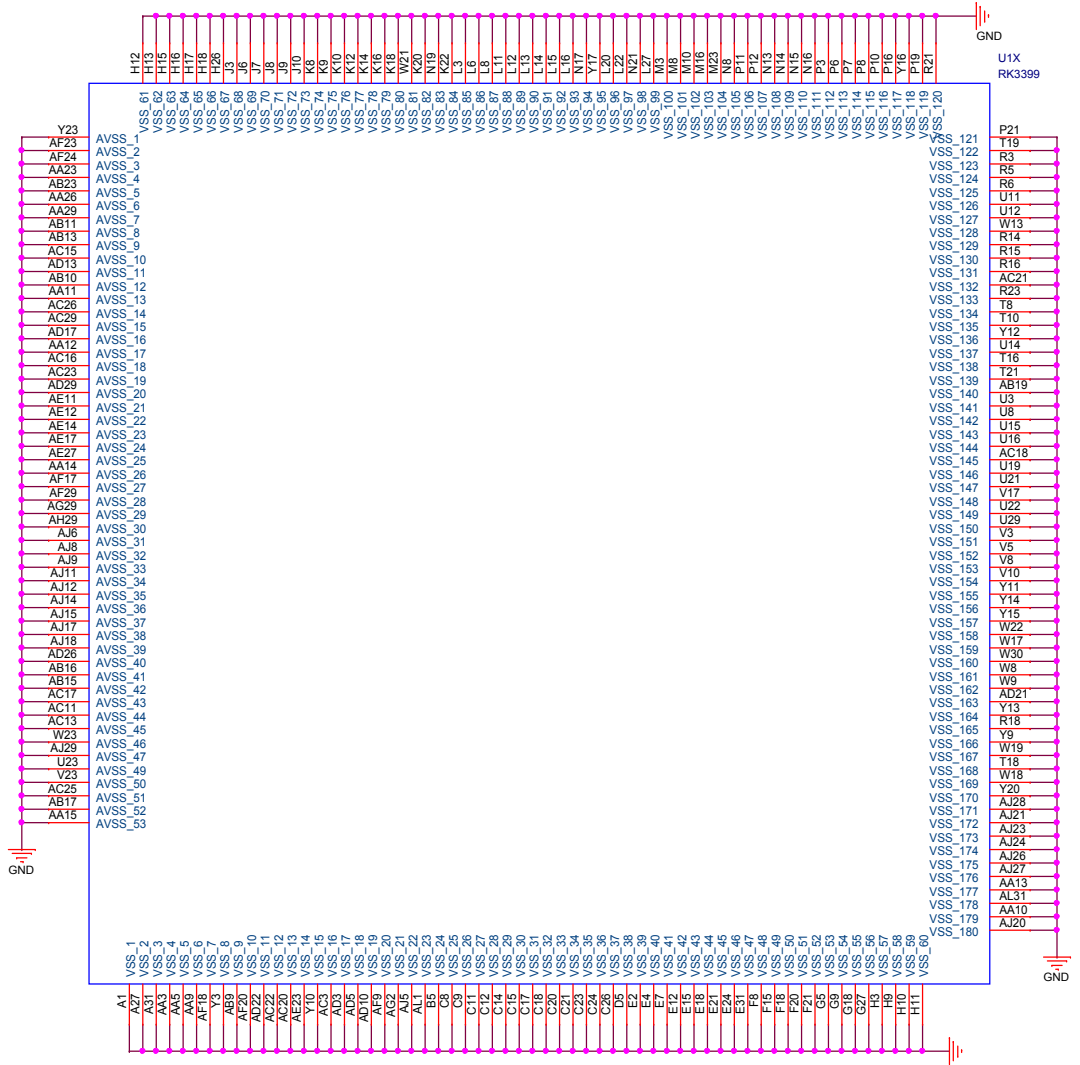
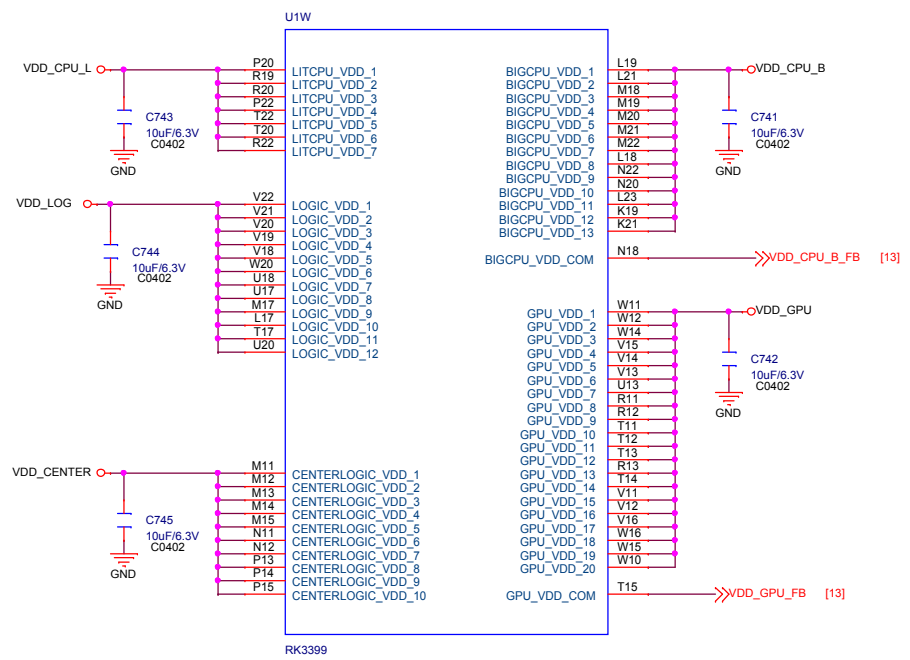
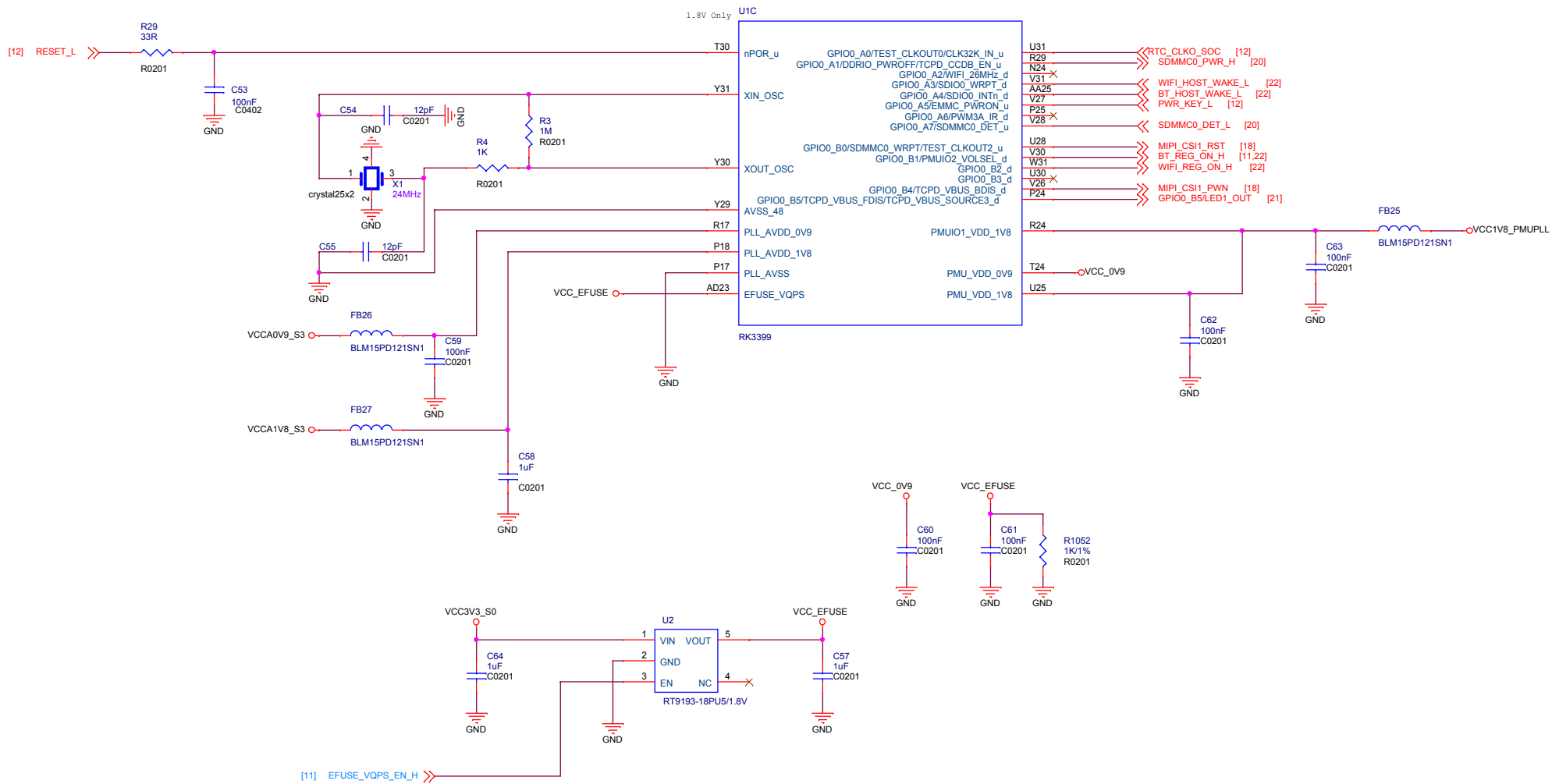


NanoPi M4V2

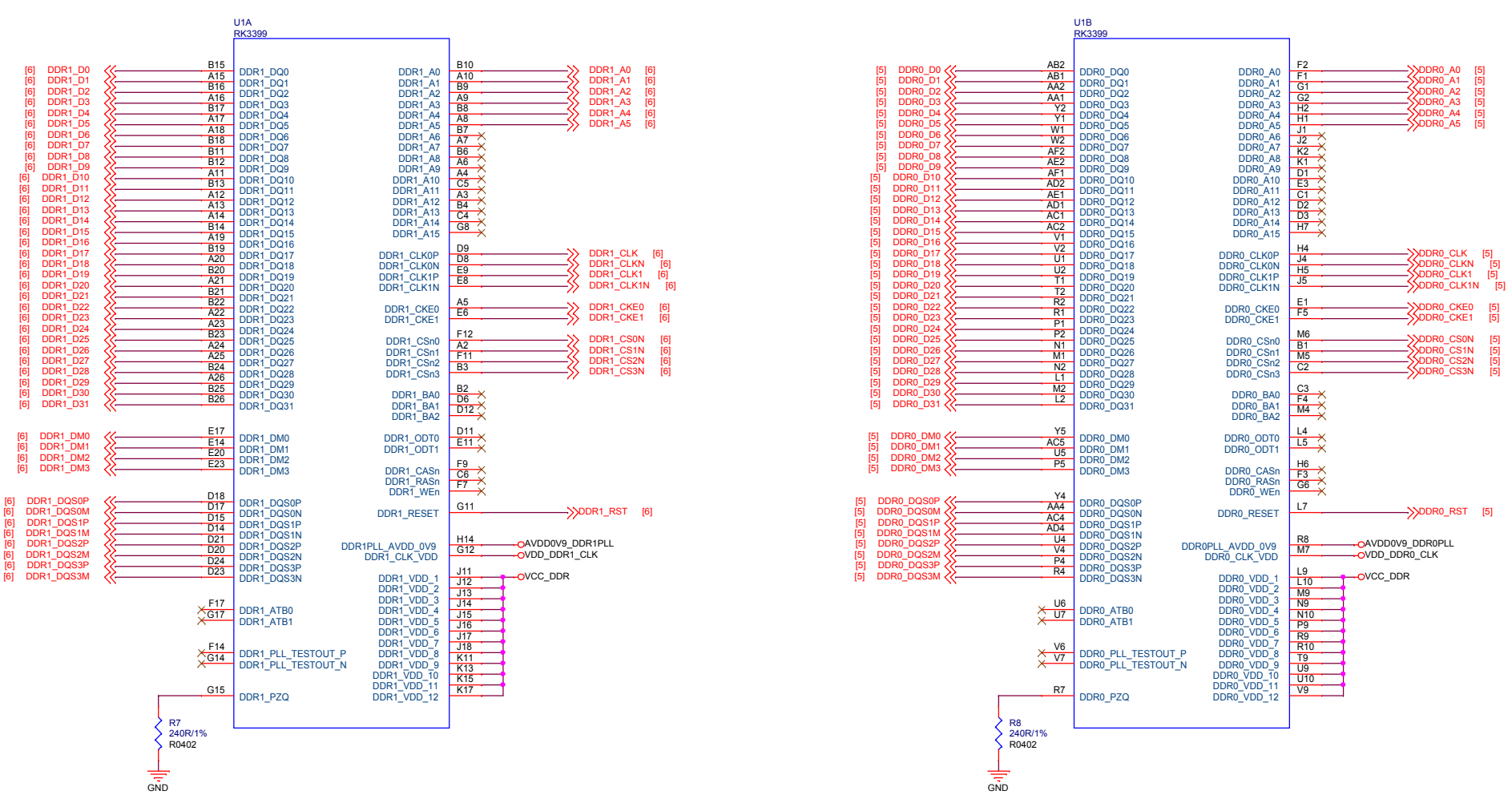


NanoPi M4		
Size	Document Number	Rev
A3	01.Title	Ver2.0 1908
Date:	Tuesday, September 10, 2019	Sheet 1 of 25

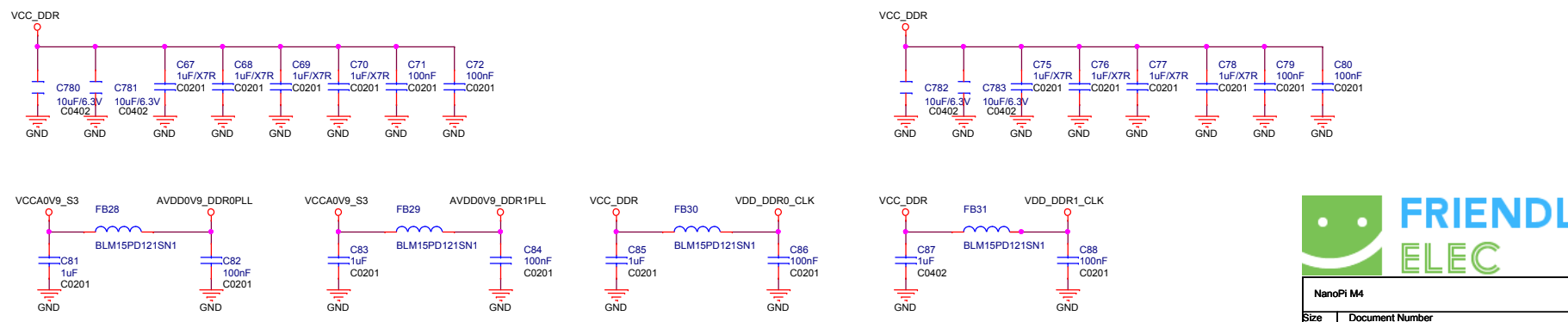




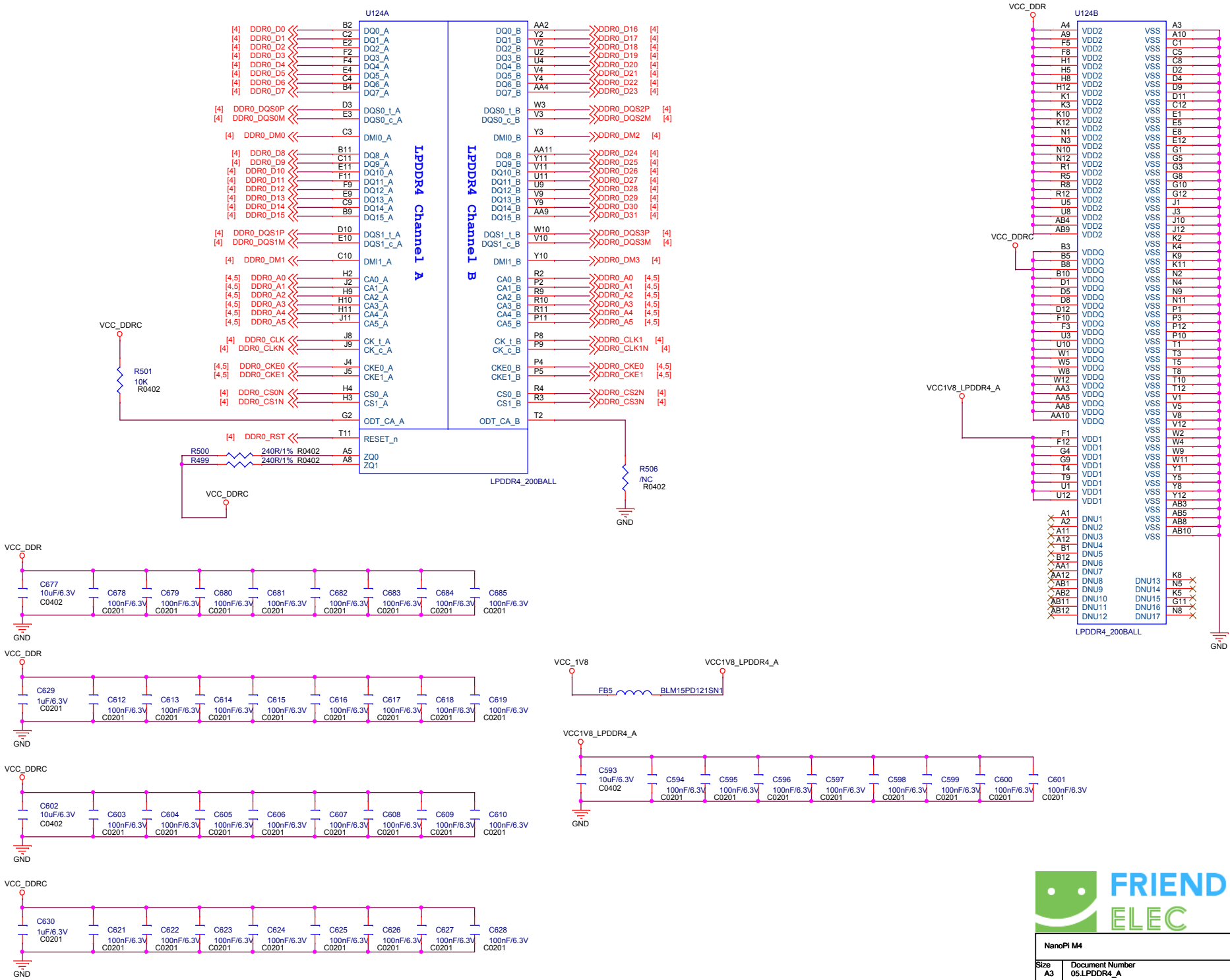
NanoPi M4		
Size A3	Document Number 03.RK3399 PMU Controller	Rev Ver2.0 1908
Date: Tuesday, September 10, 2019	Sheet 3 of 25	

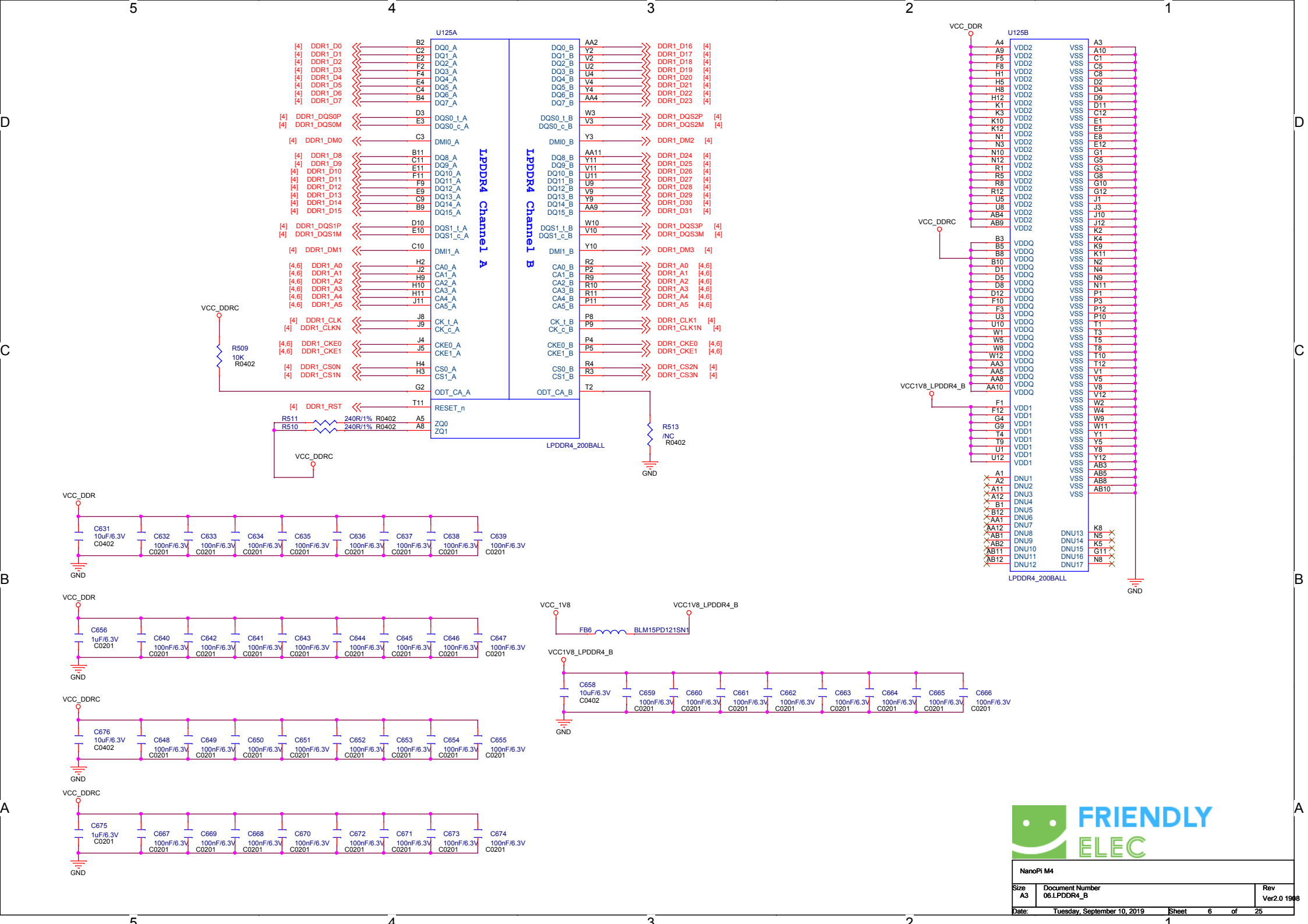


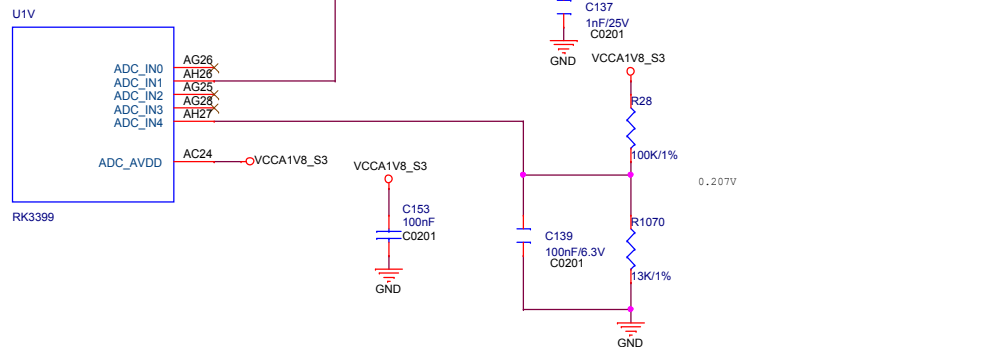
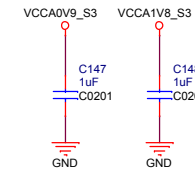
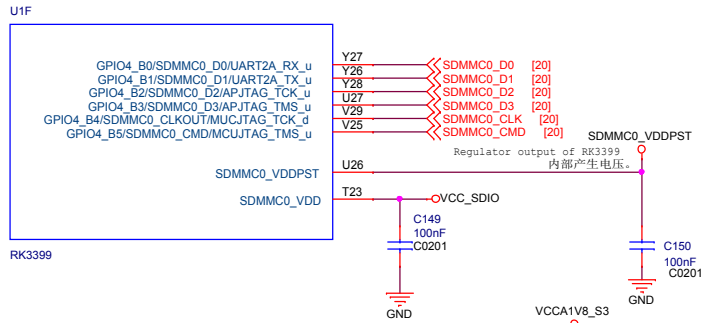
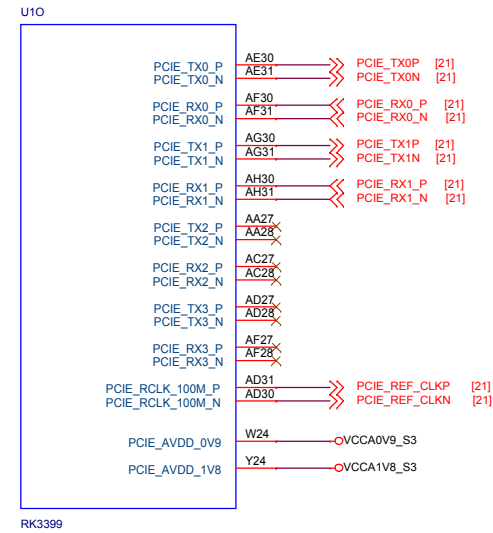
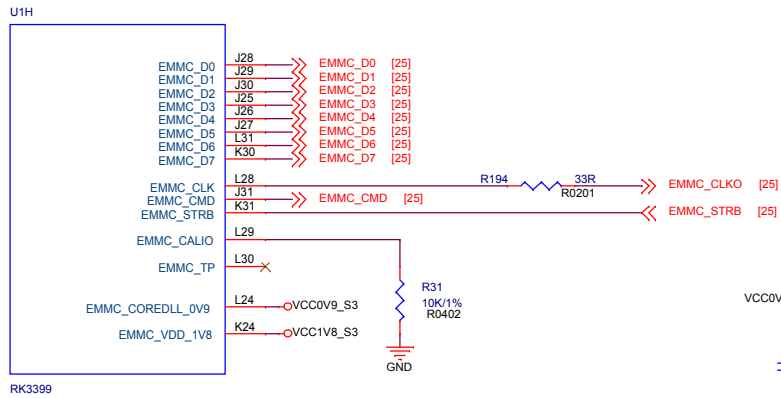
DDR FILTER

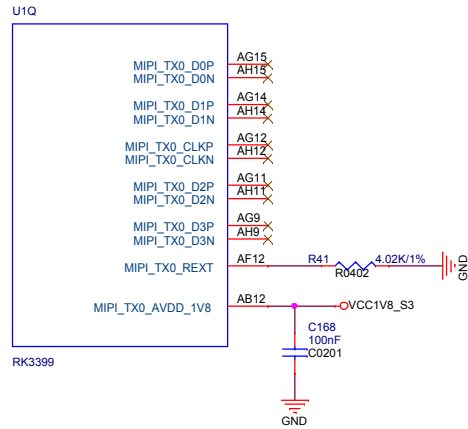
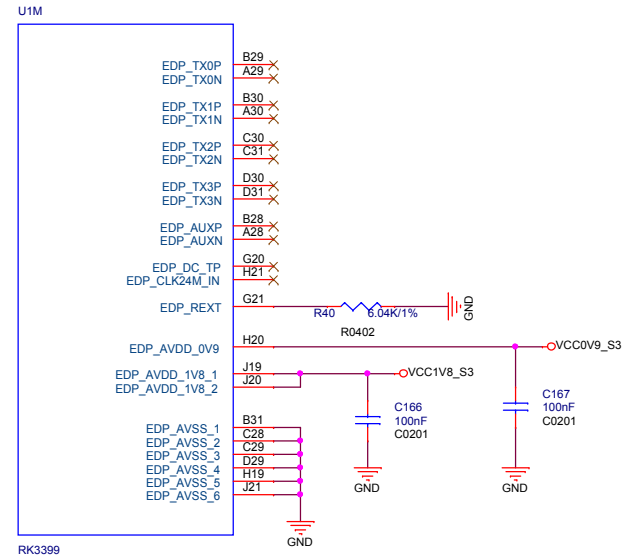
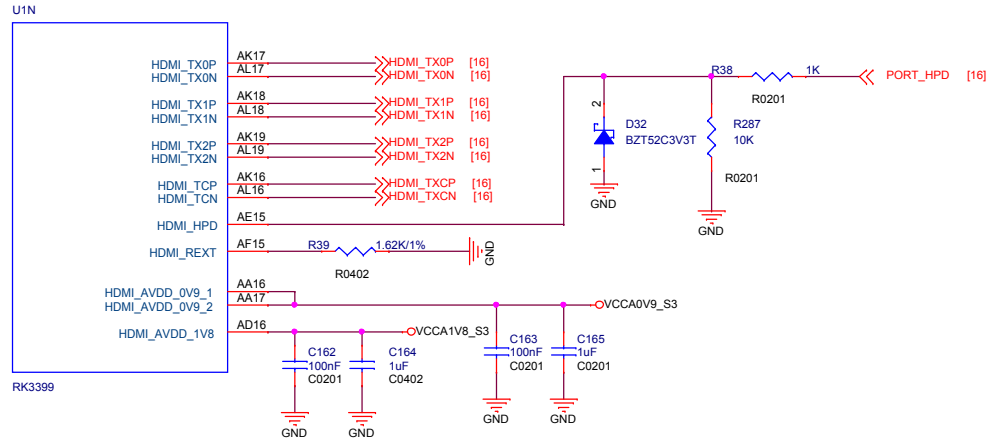


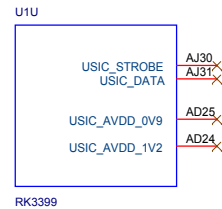
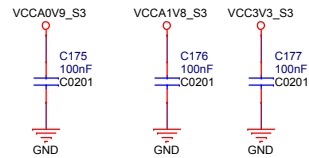
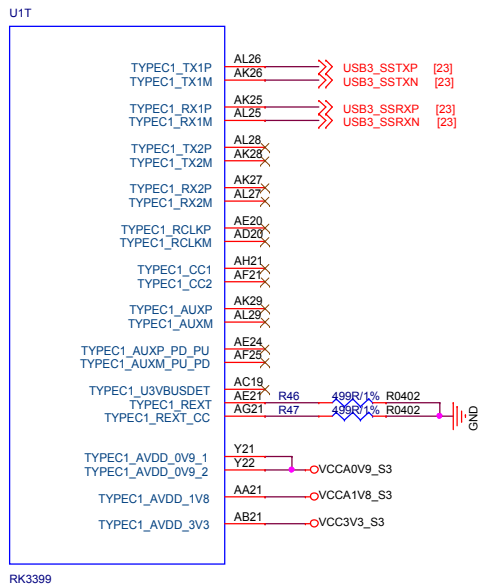
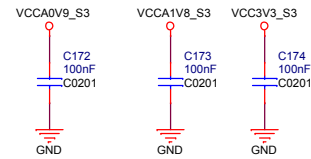
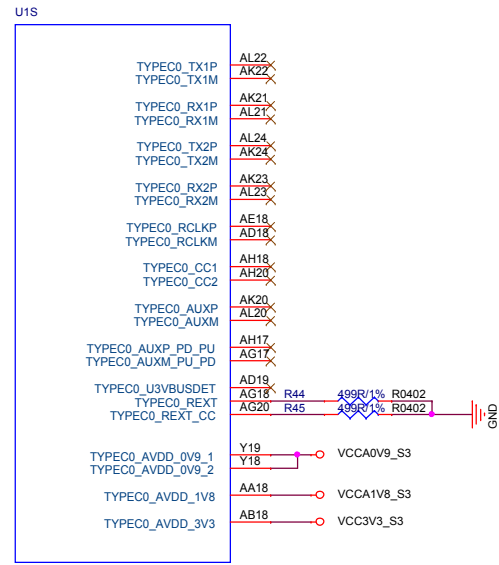
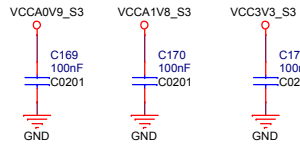
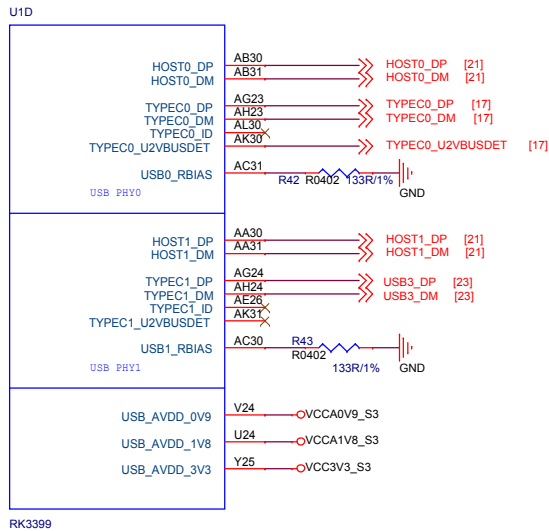
NanoPi M4		
Size A3	Document Number 04.RK3399 DDR Controller	Rev Ver2.0 1908
Date: Tuesday, September 10, 2019	Sheet 4	of 25

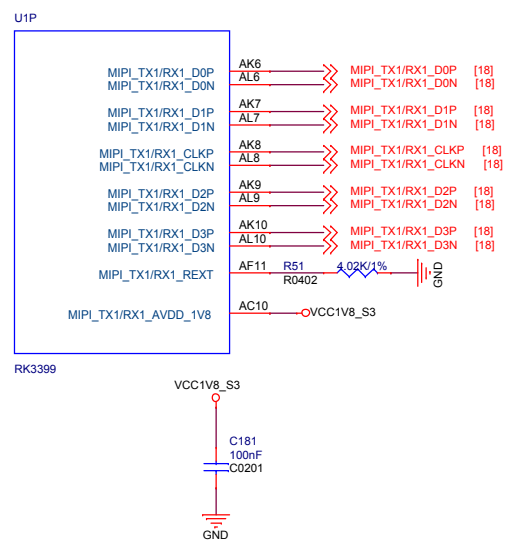
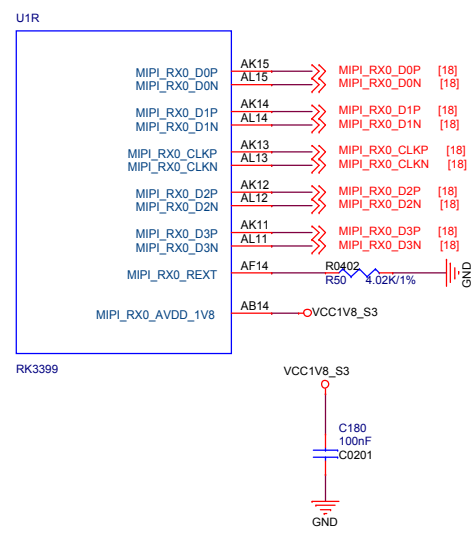
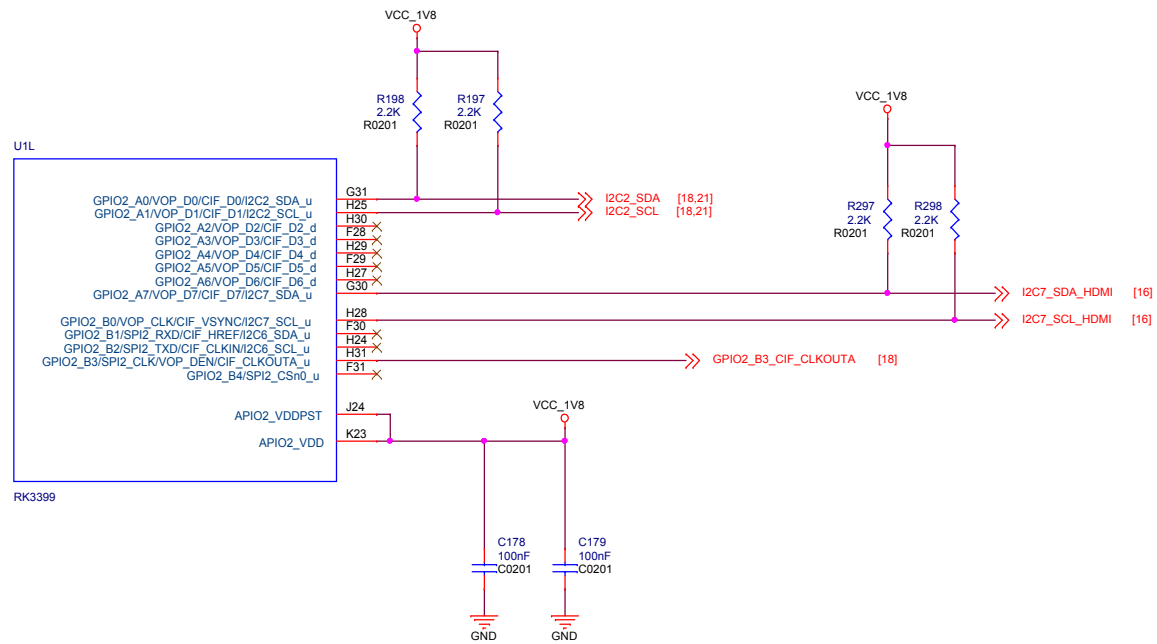


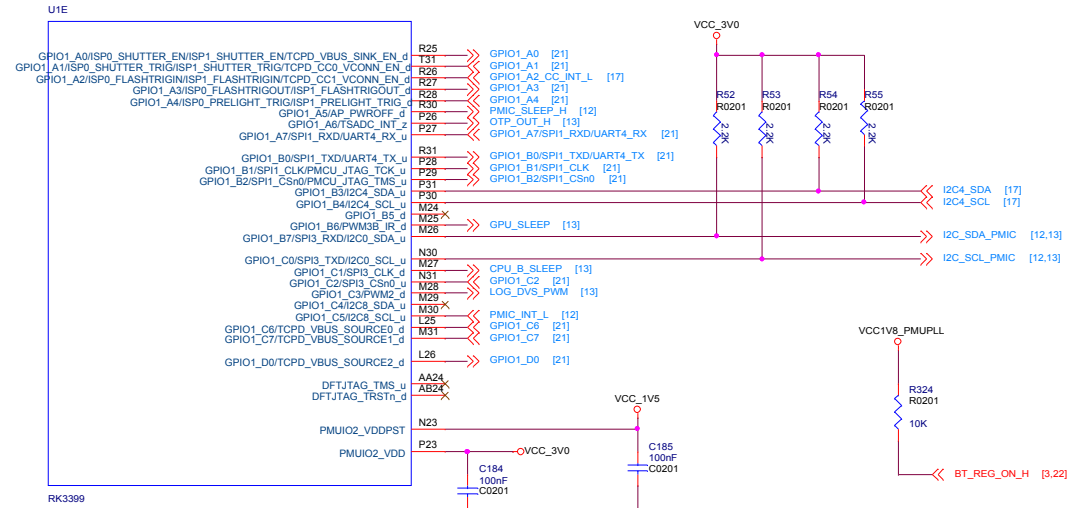
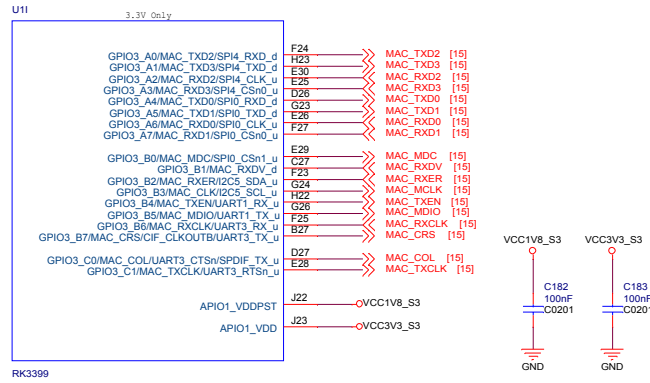




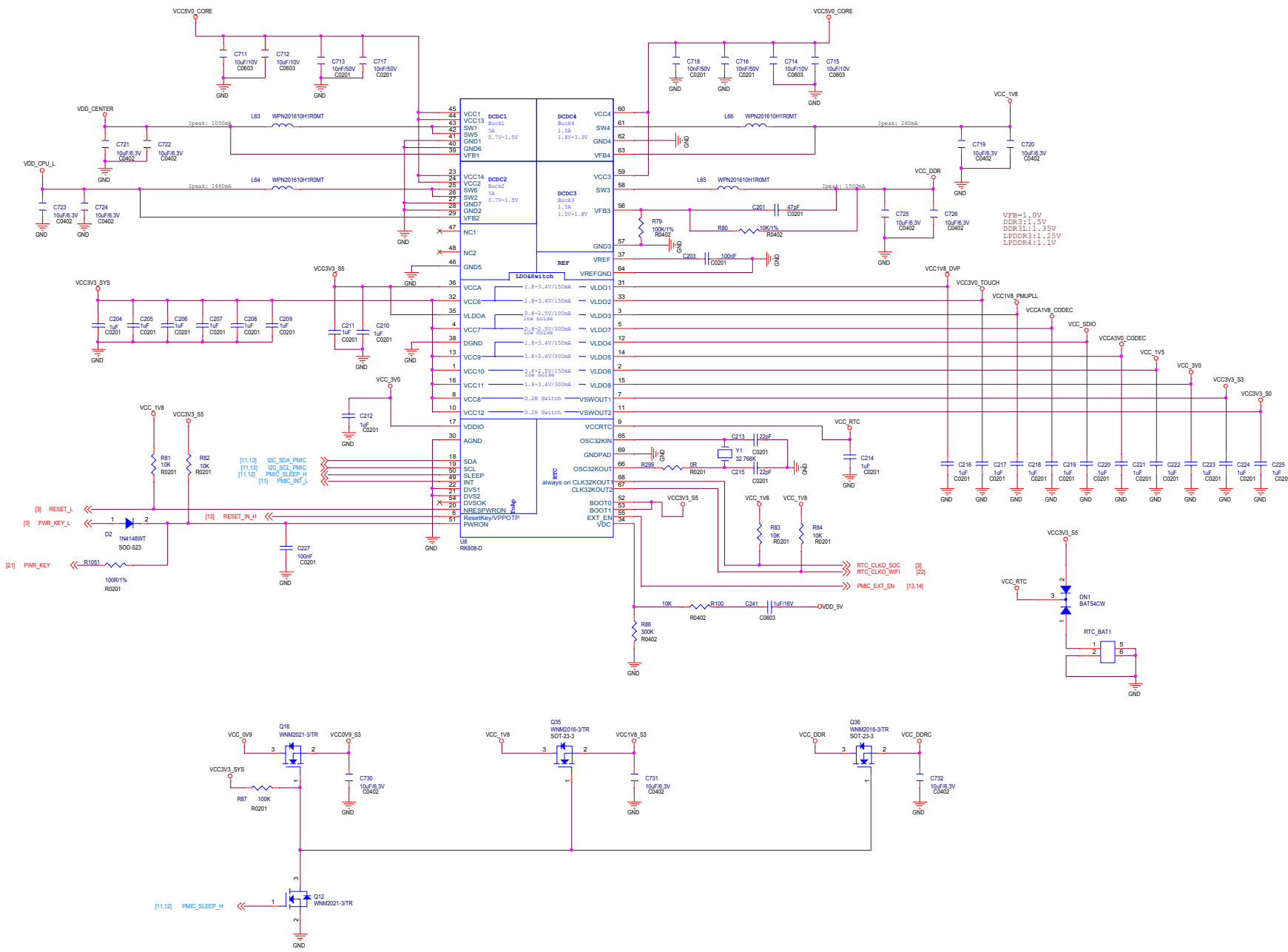




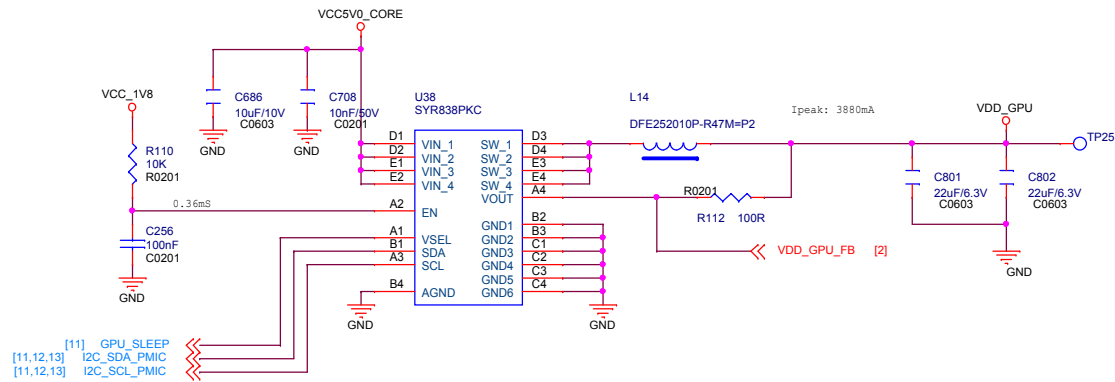




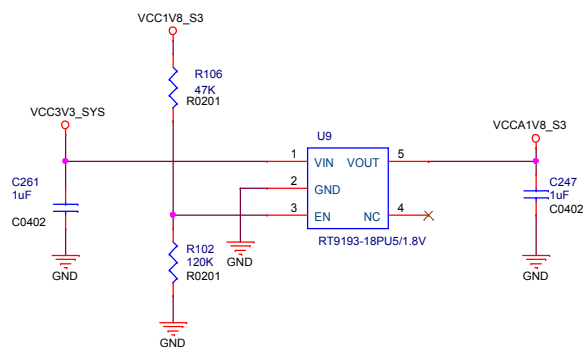
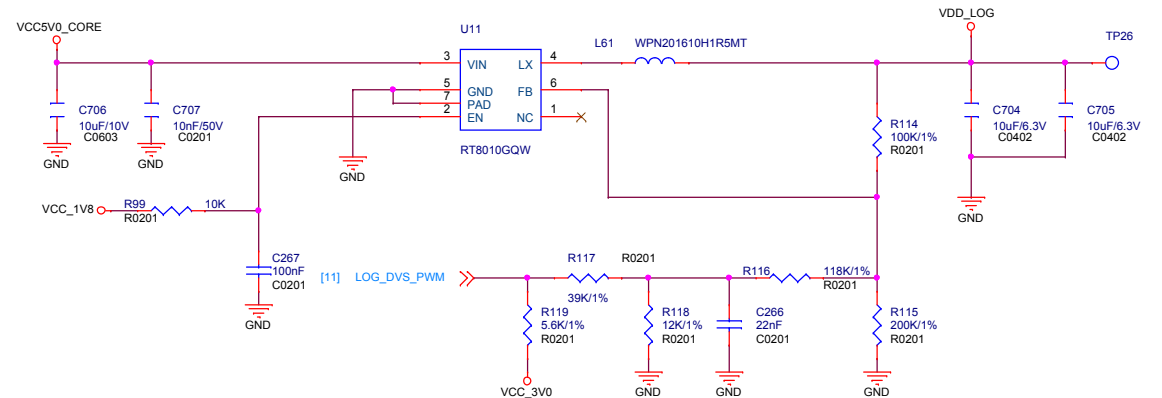
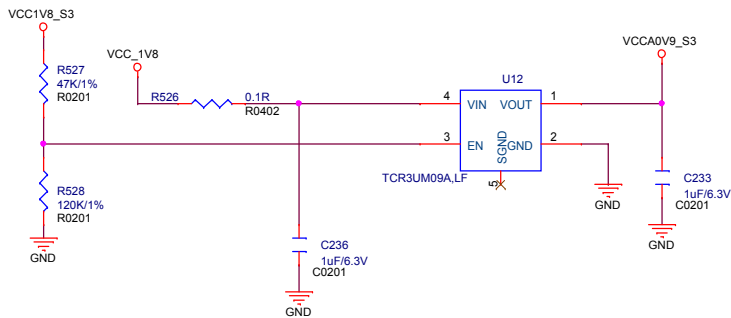
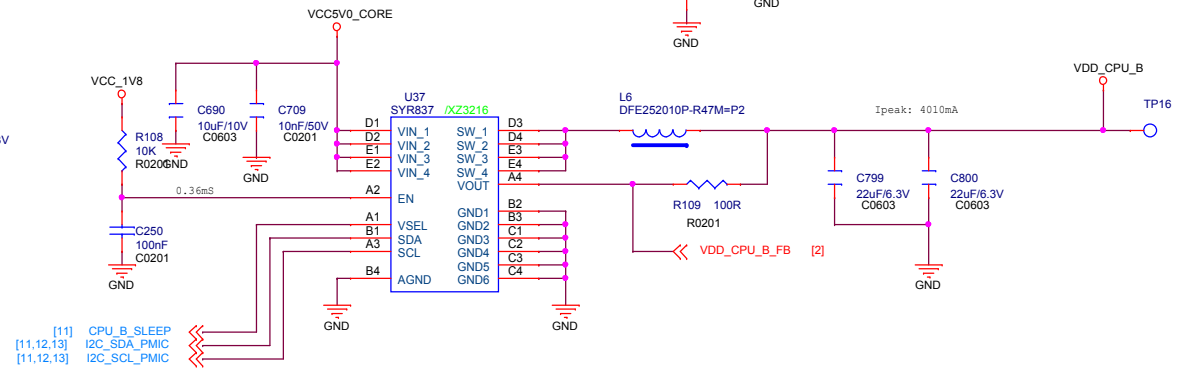
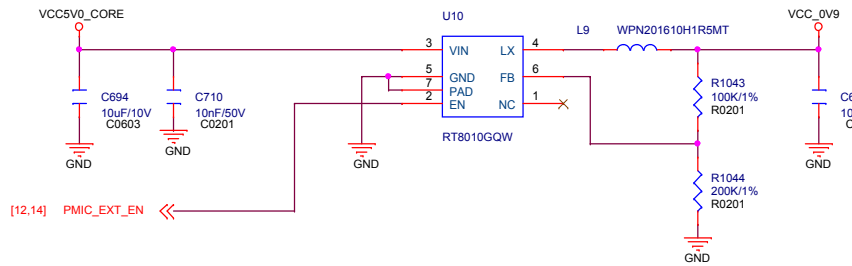
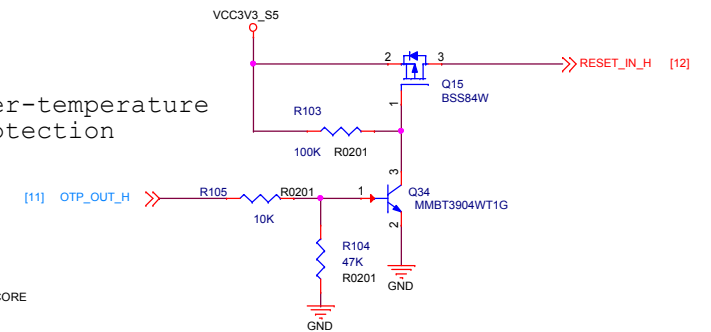
PMIC RK808



NanoPi M4		
Doc: 12	Document Number: 12-Power1-RK808D	Rev: Ver2.0 1908
Date: Tuesday, September 10, 2019	Sheet: 12	of 25

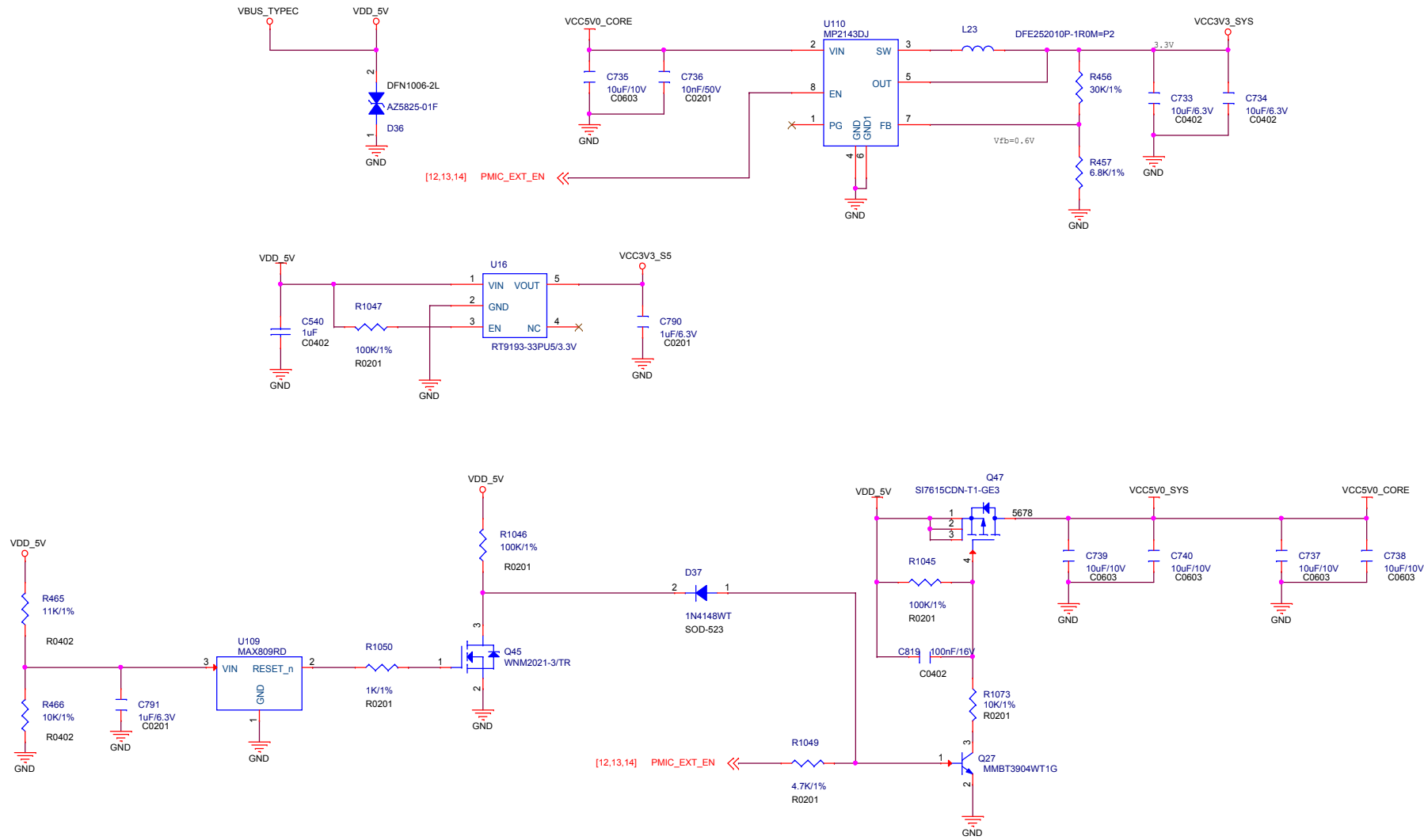


Over-temperature Protection

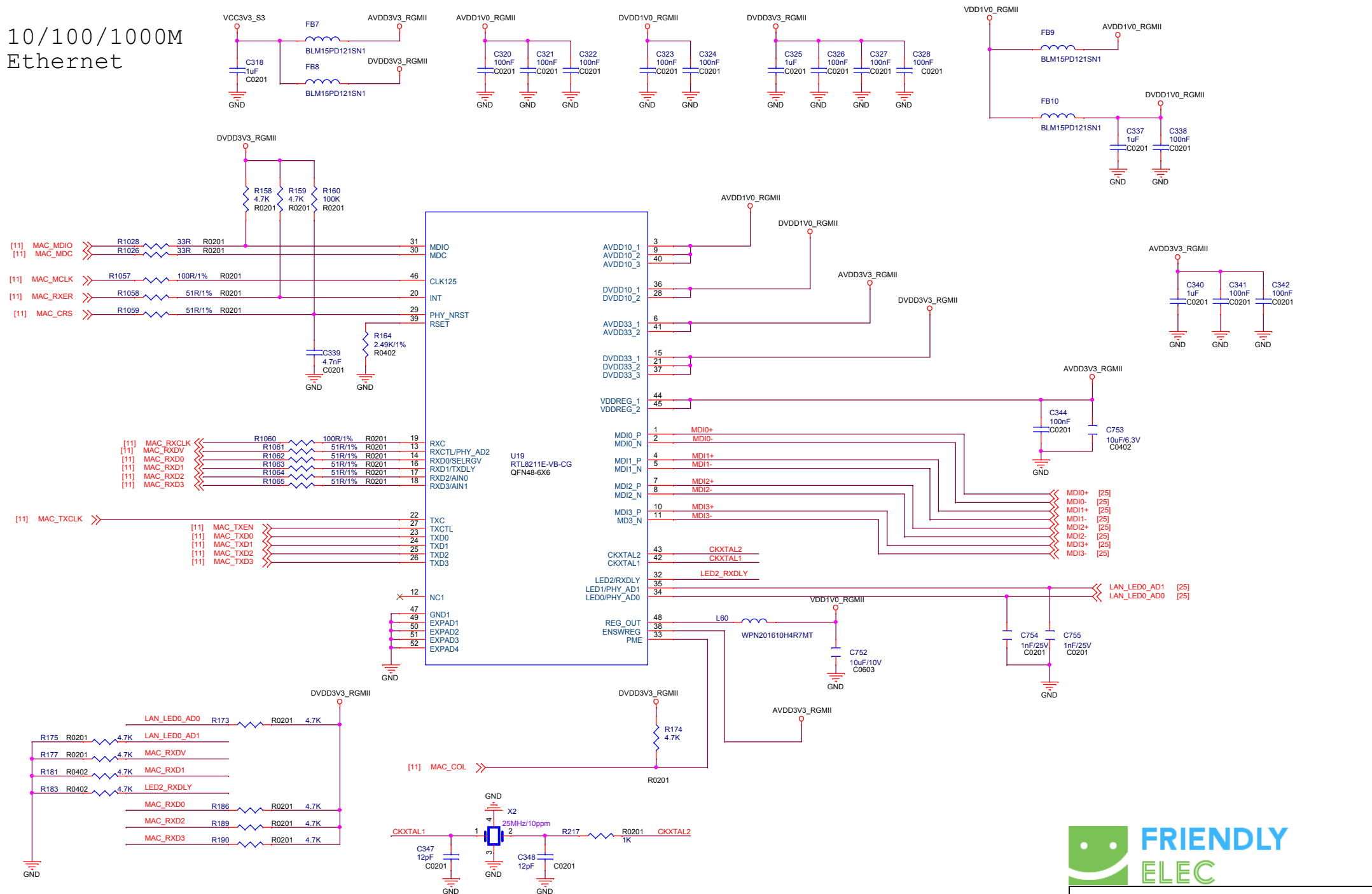


NanoPi M4		
Size	Document Number	Rev
A3	13.Power2-CPU/GPU/etc	Ver2.0 1908
Date:	Tuesday, September 10, 2019	Sheet 13 of 25

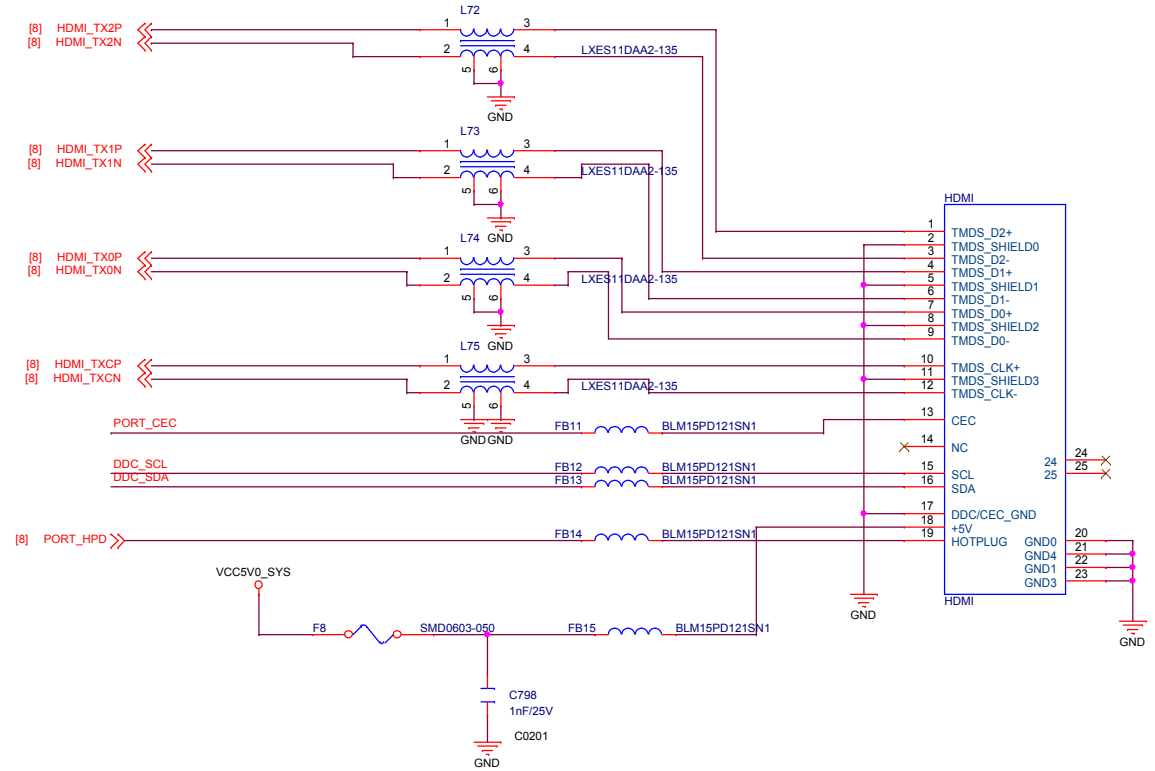
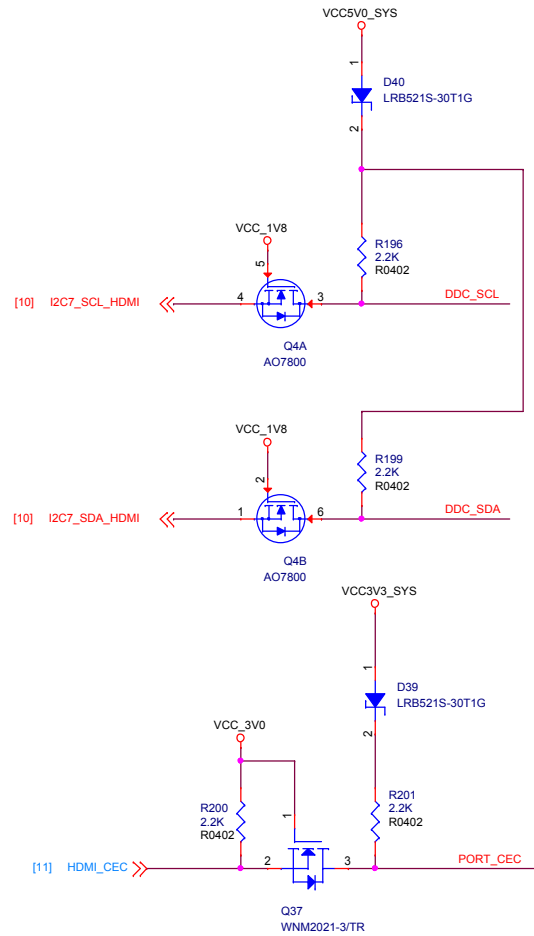
Power Supply



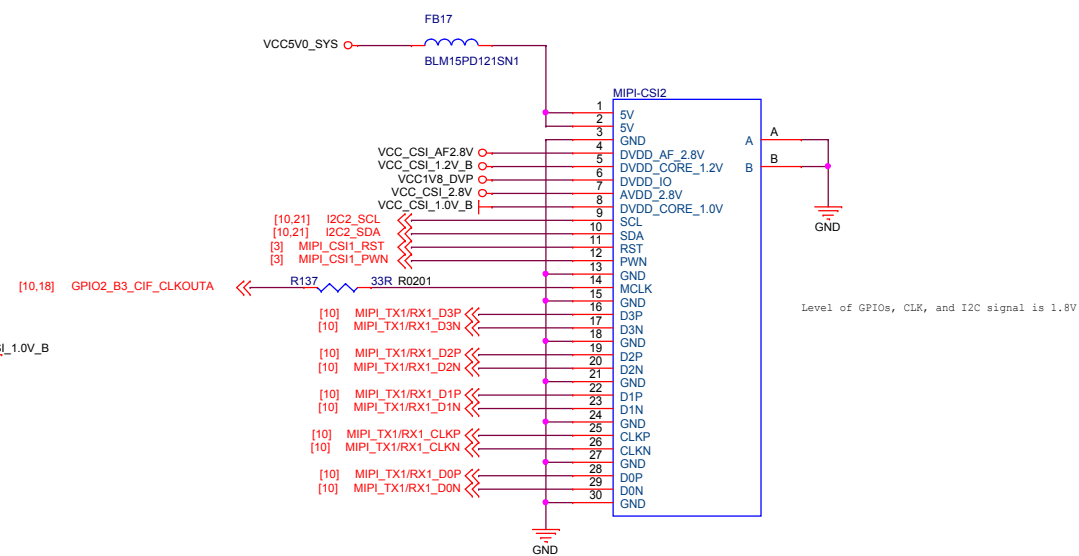
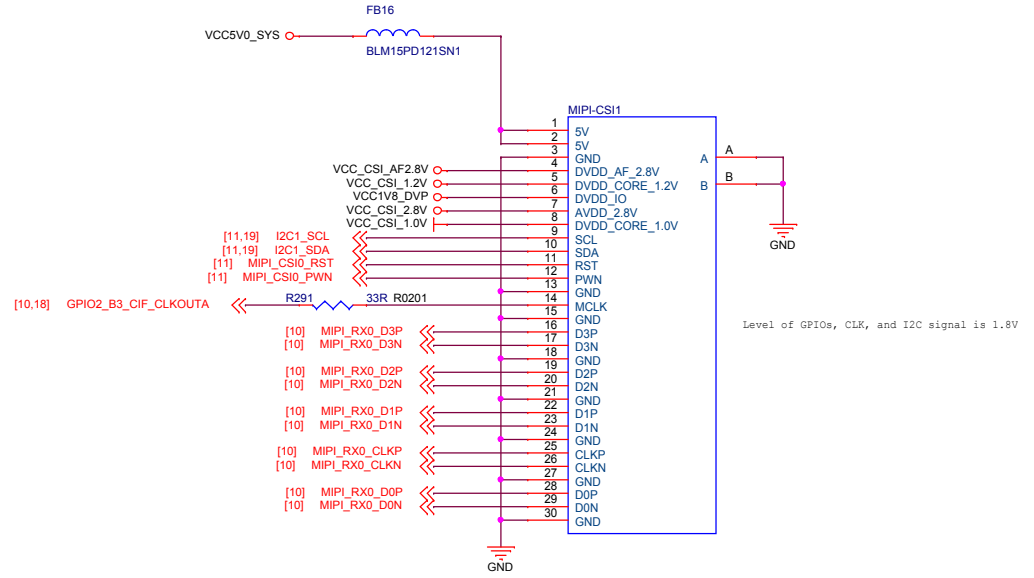
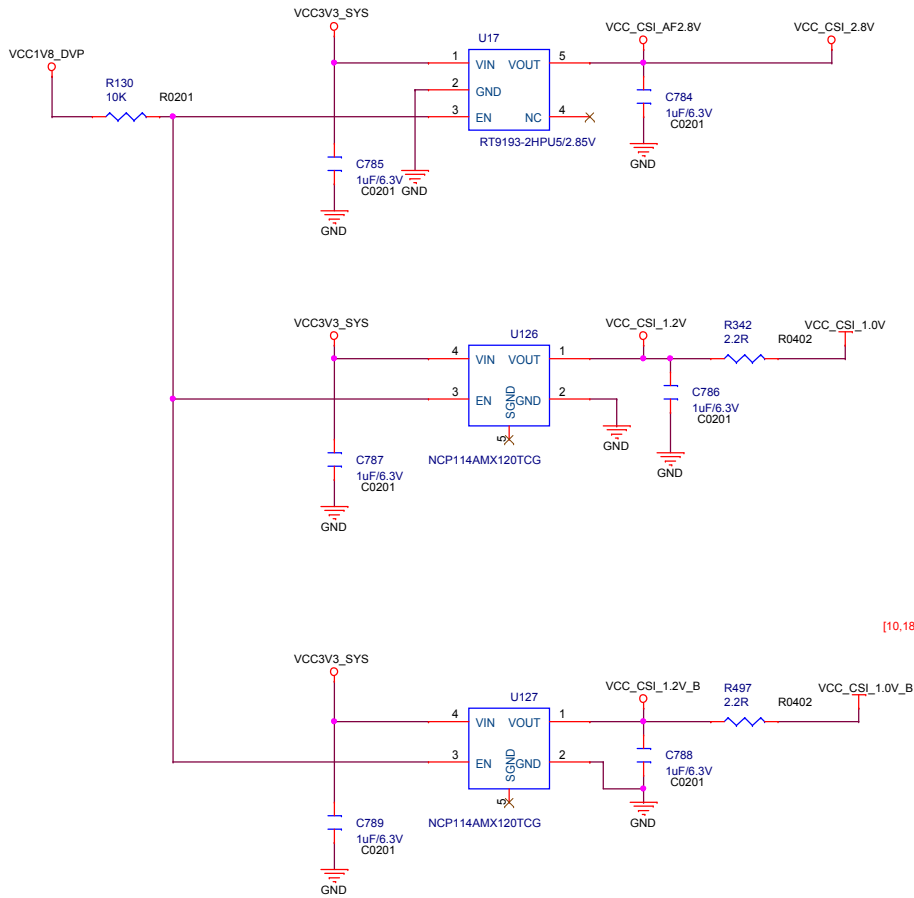
10/100/1000M Ethernet



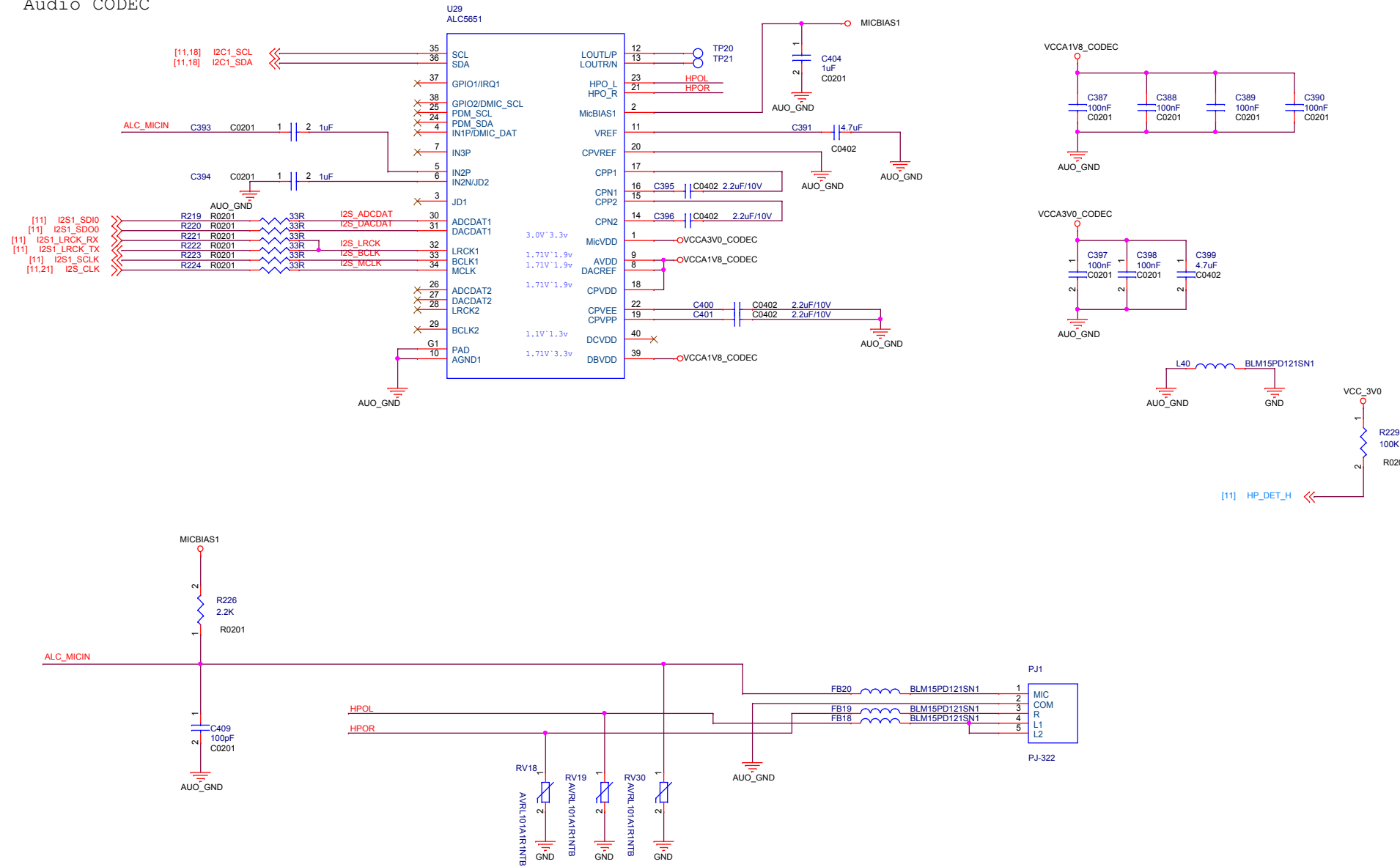
HDMI Port

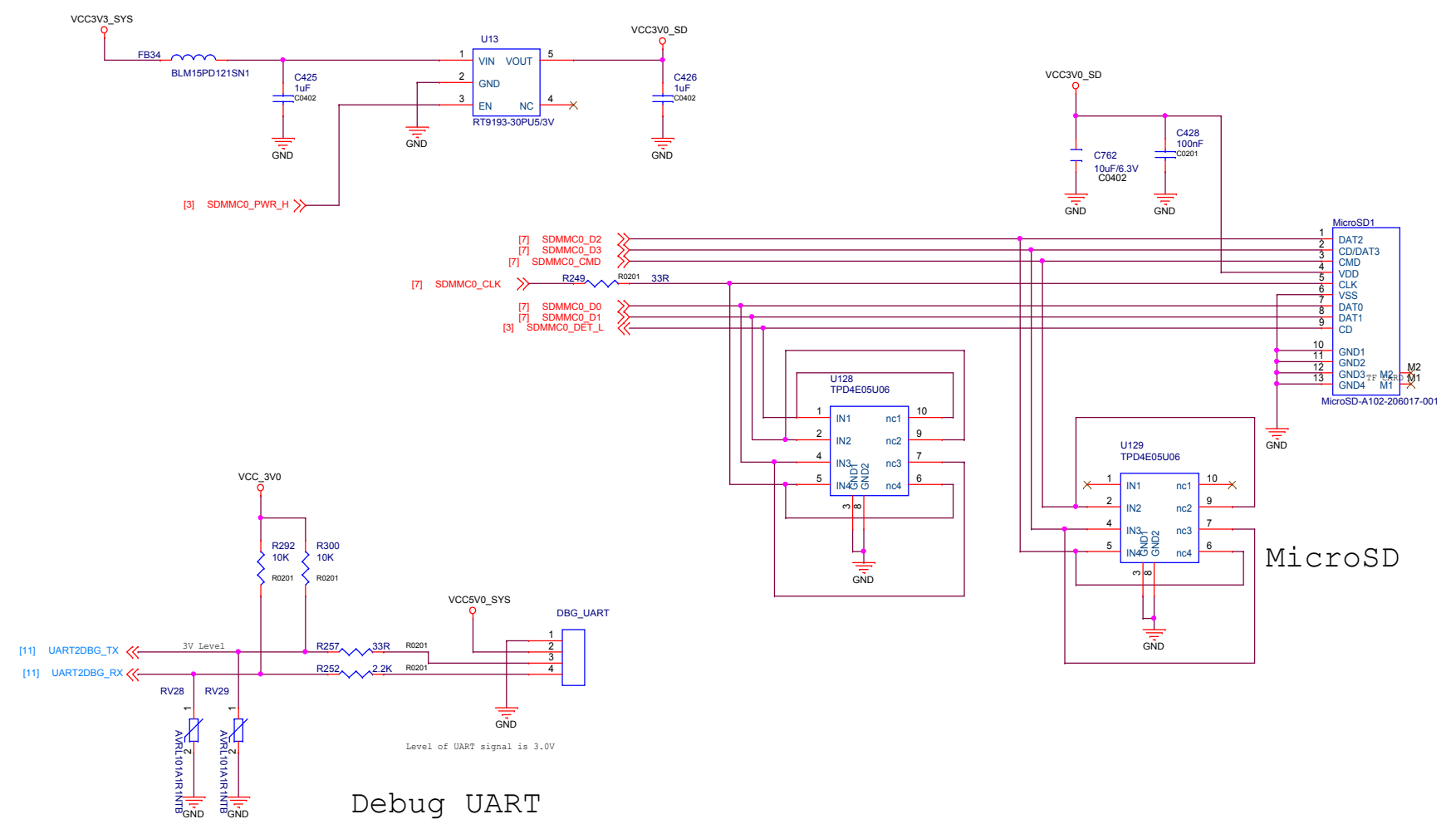


MIPI-CSI



Audio CODEC

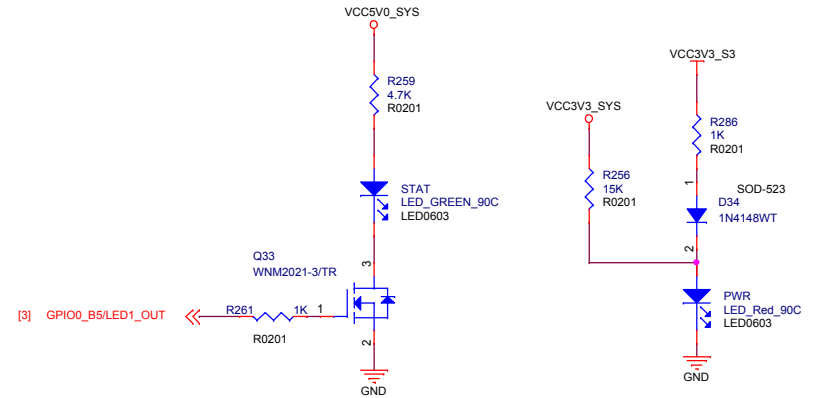
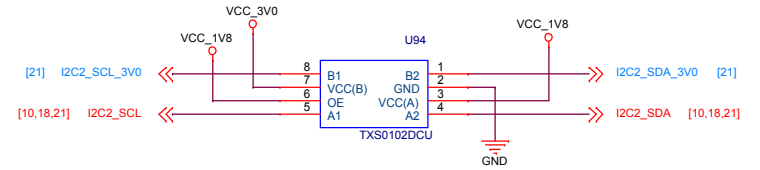
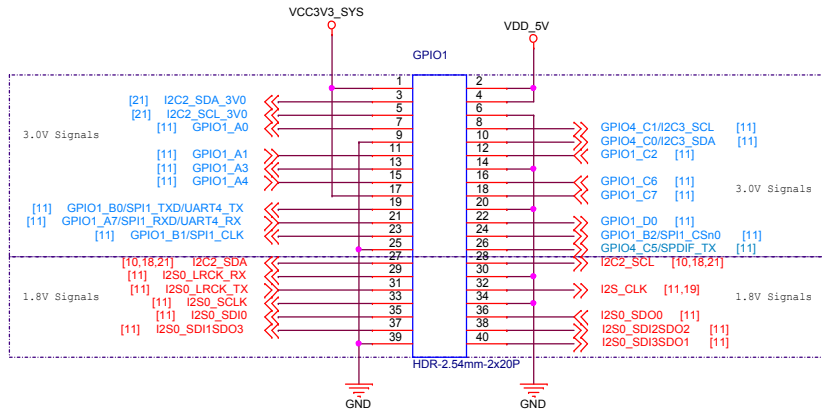




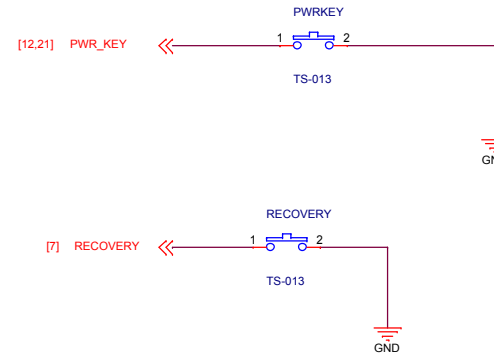
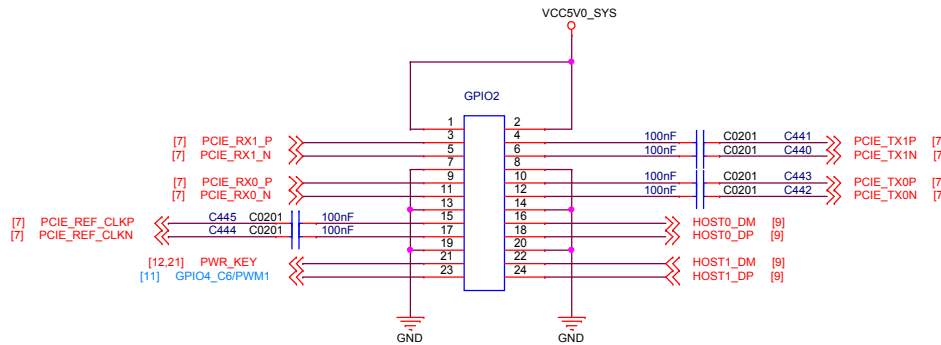
Debug UART



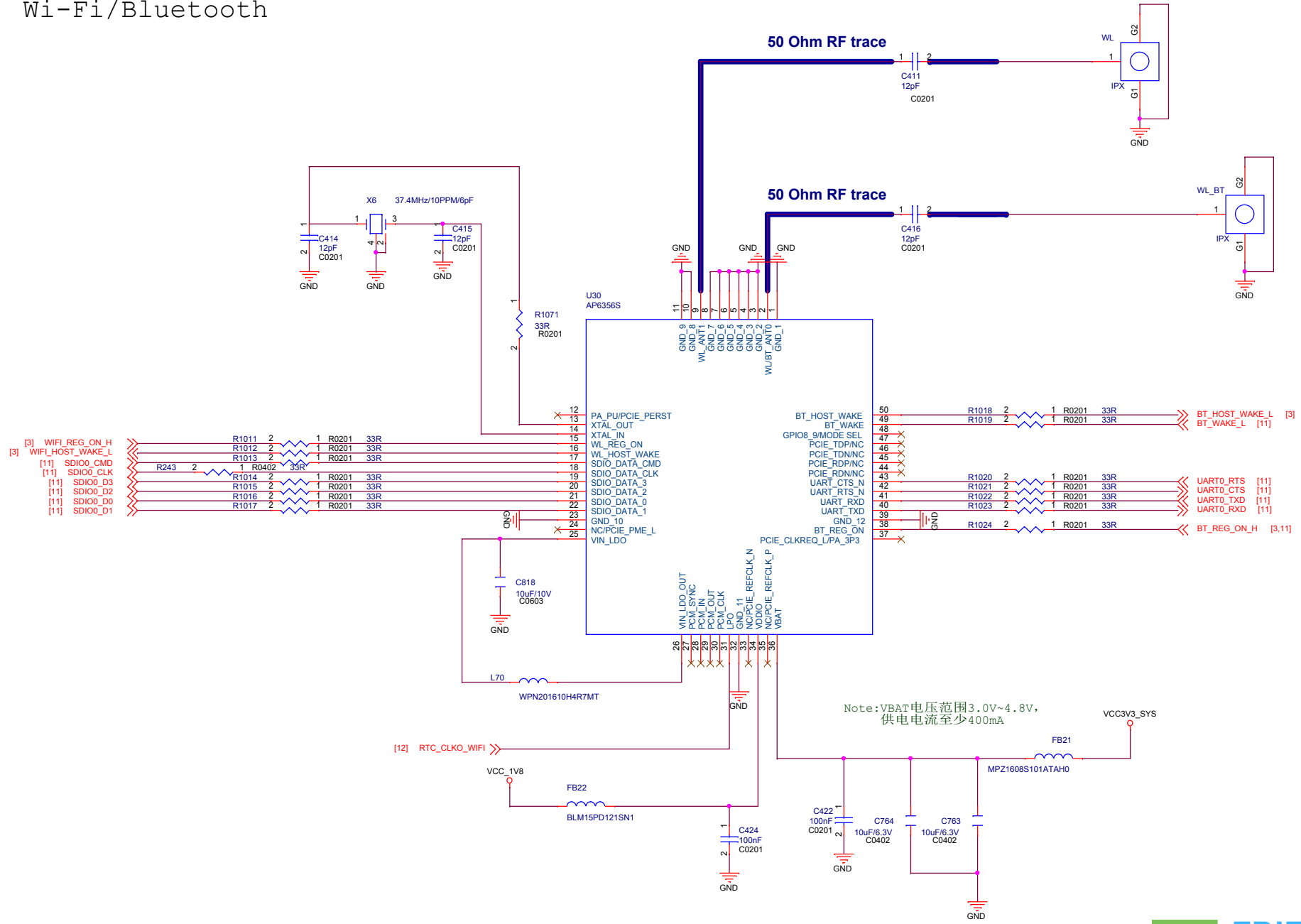
GPIO



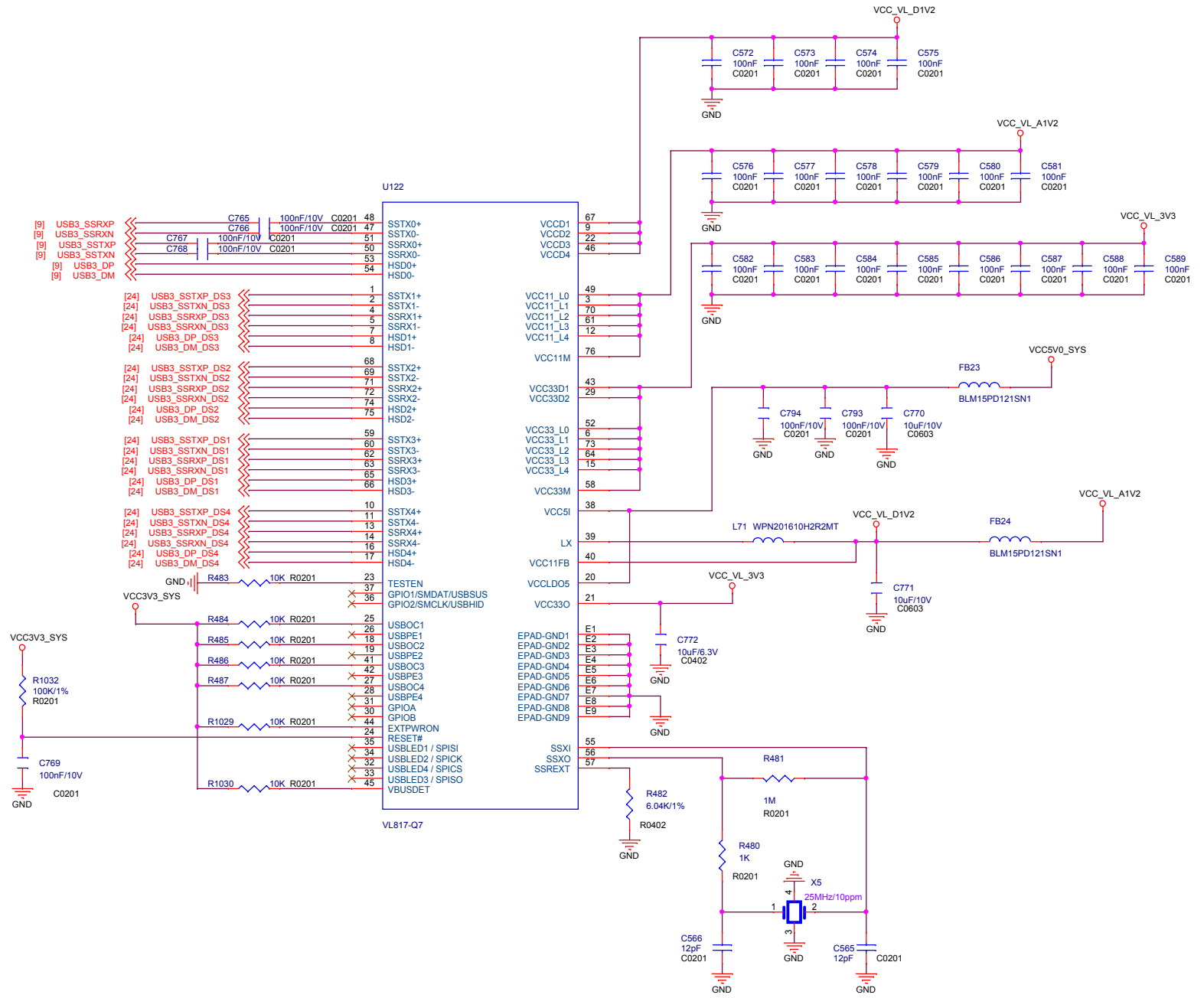
PCIe, USB



Wi-Fi/Bluetooth



USB3.0 Hub



USB3.0 Host

