

NanoPi NEO V1.1

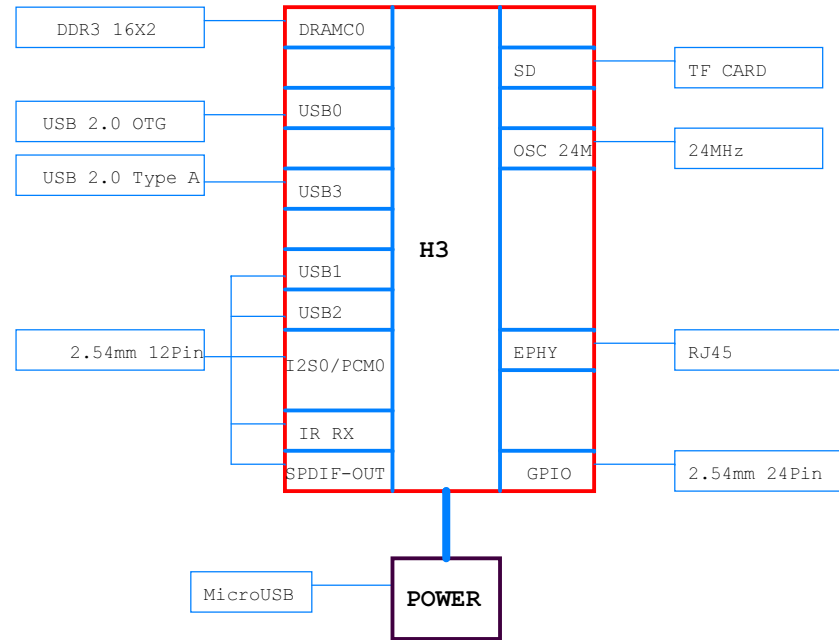
Revision

1606 , First Release
V1.1 1607, Replace MIC&LINEOUT with I2S/PCM on CON2

FRIENDLYARM

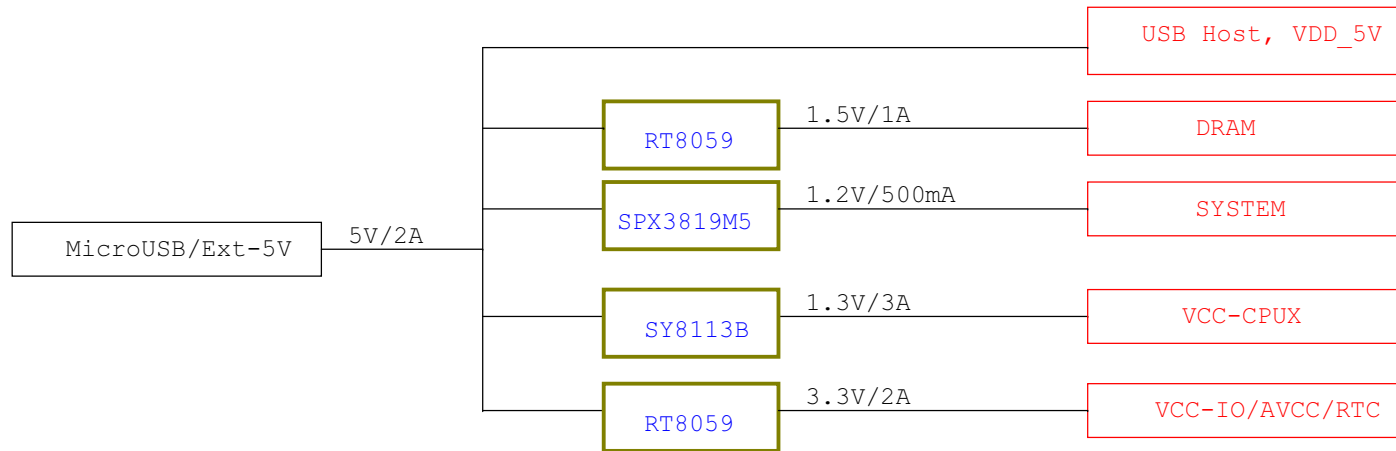
NanoPi NEO V1.1		
Size A3	Document Number 01:Title	Rev V1.1 1607
Date:	Friday, September 02, 2016	Sheet 1 of 11

BLOCK



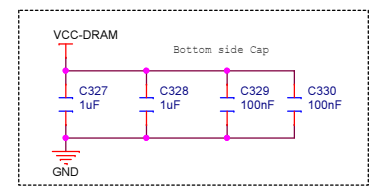
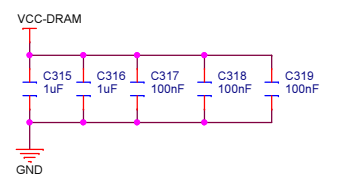
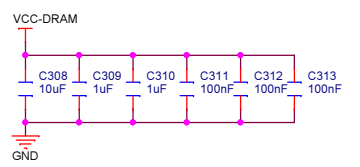
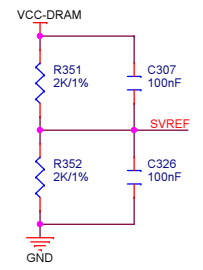
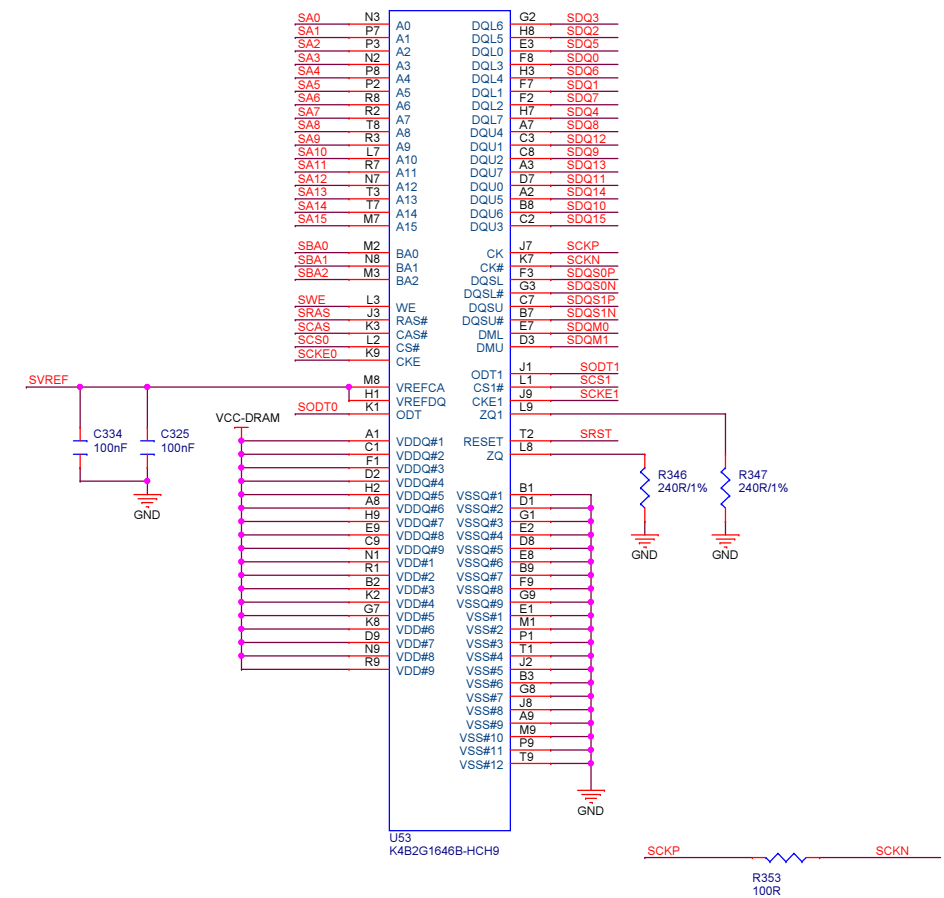
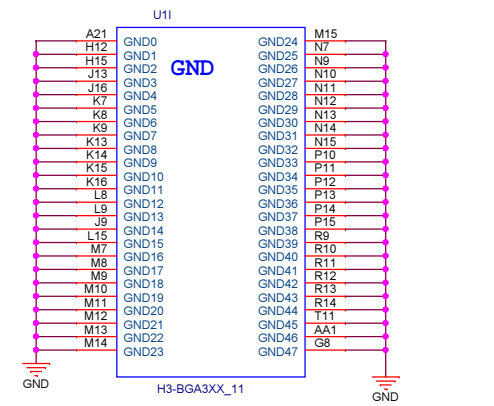
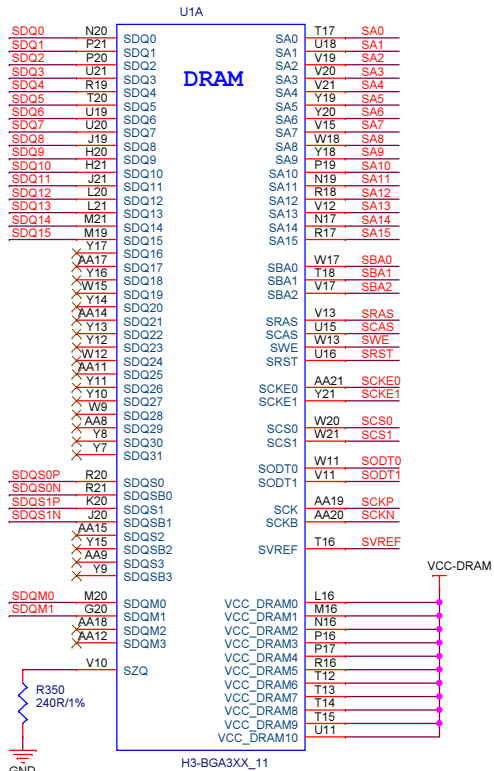
FRIENDLYARM

POWER TREE



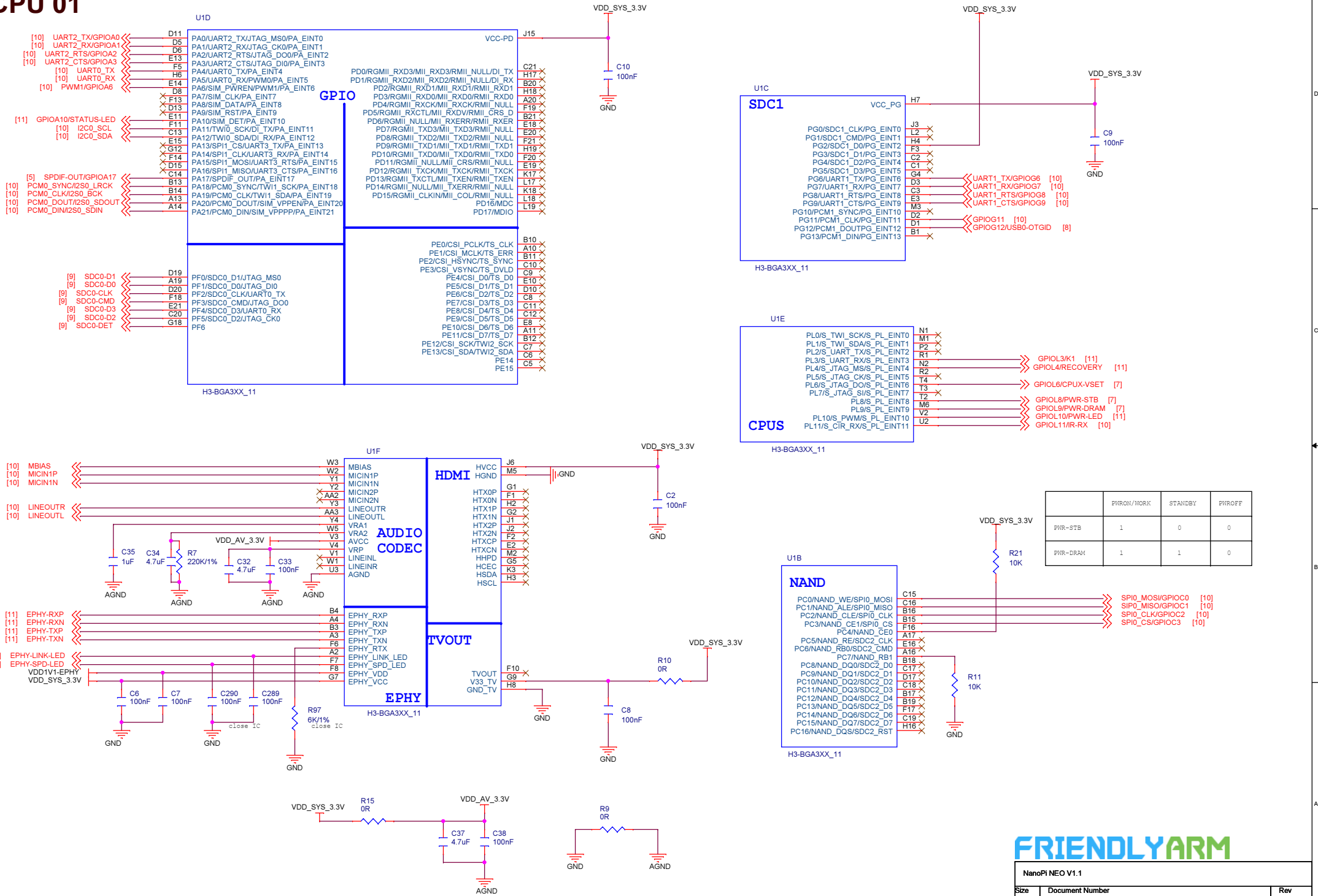
FRIENDLYARM

DDR3 16x1



NanoPi NEO V1.1		
Size A3	Document Number 04:DDR3 16X2	Rev V1.1.1 1607
Date: Friday, September 02, 2016	Sheet 4	of 11

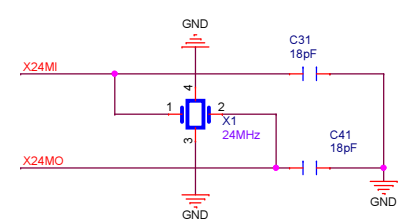
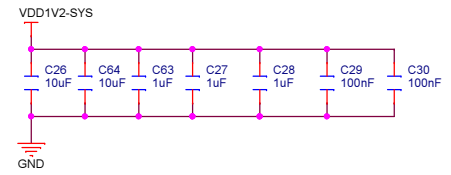
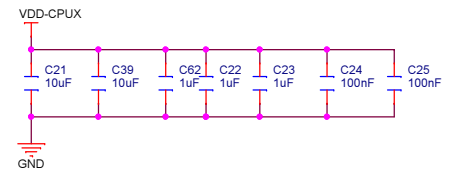
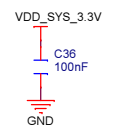
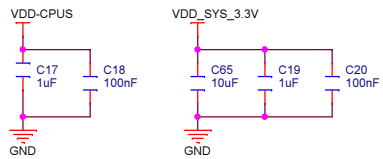
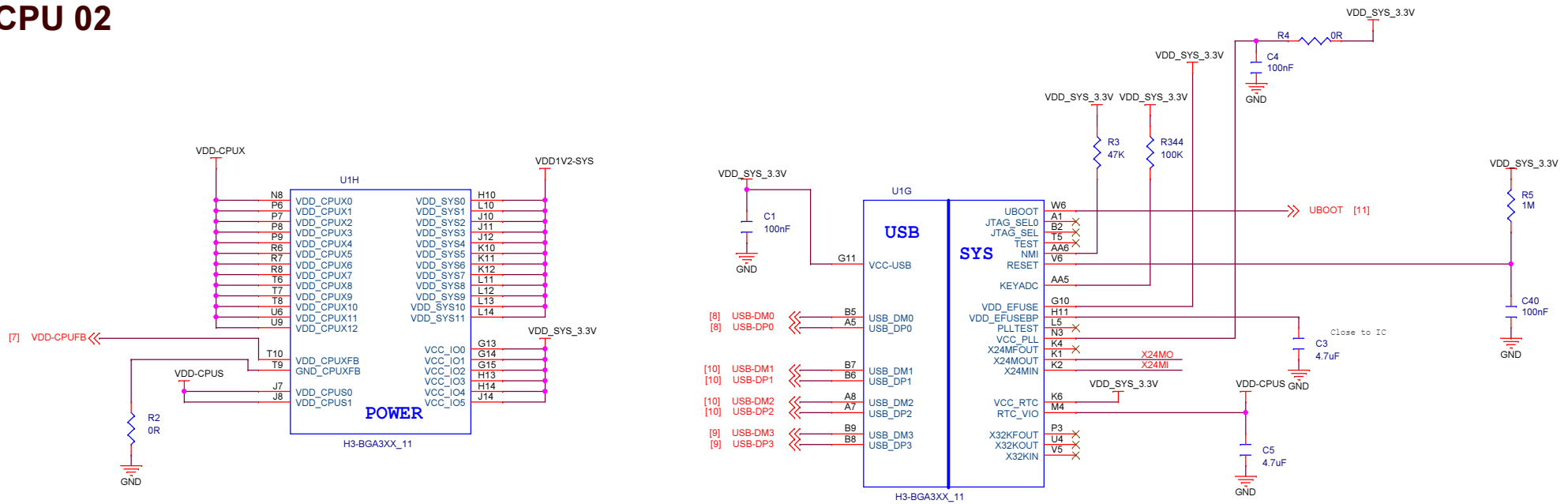
CPU 01



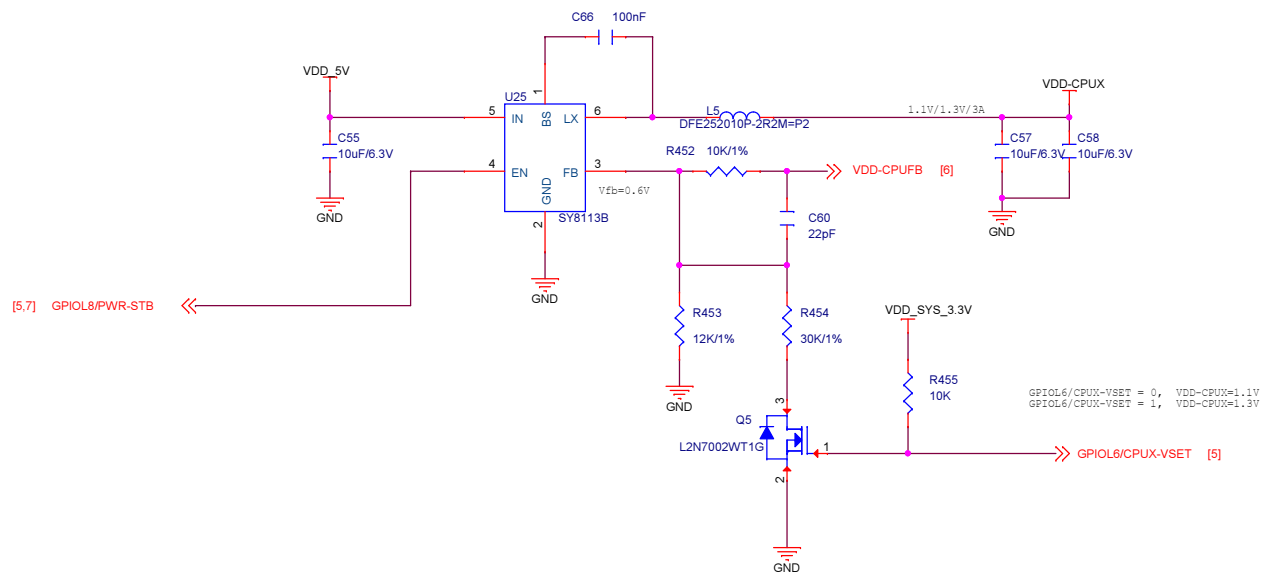
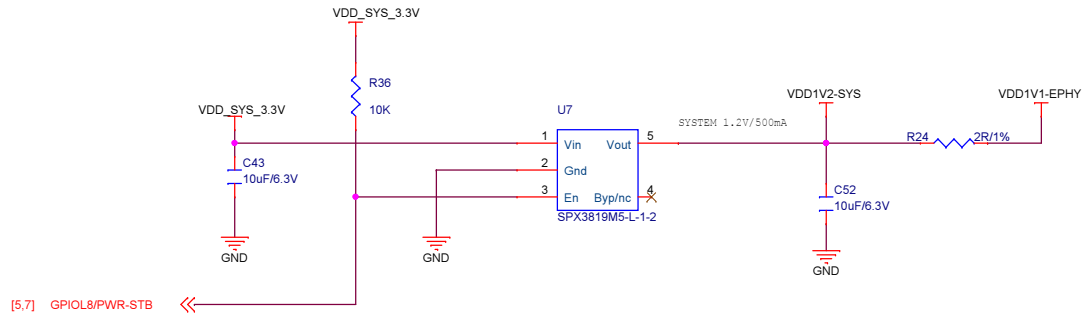
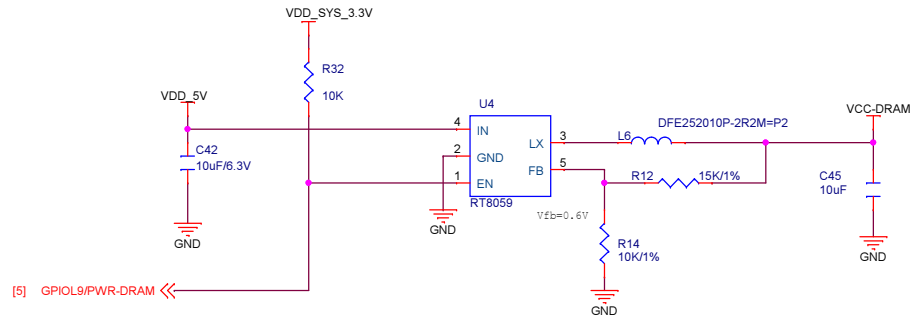
	PWRON/WORK	STANDBY	PWROFF
PWR-STB	1	0	0
PWR-DRAM	1	1	0

FRIENDLYARM

CPU 02



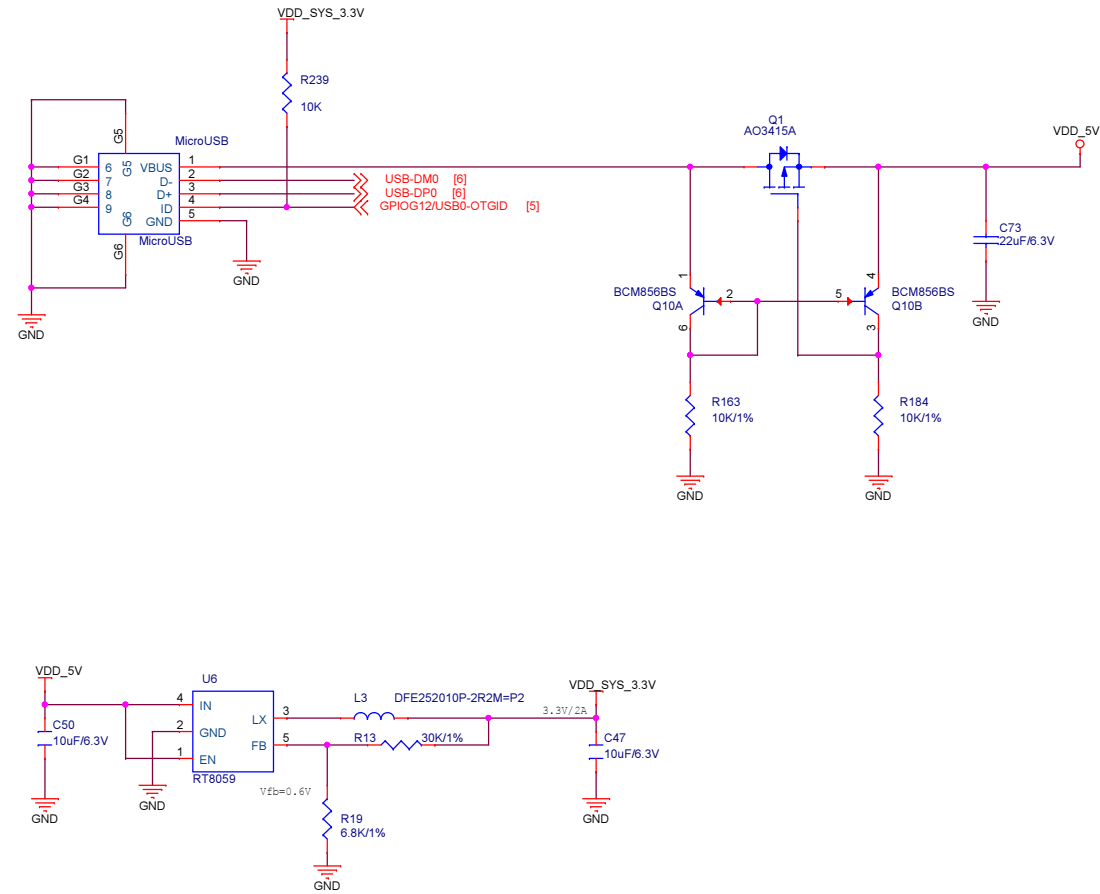
POWER 01



FRIENDLYARM

NanoPi NEO V1.1		
Size A3	Document Number 07:Power-01	Rev V1.1 1607
Date: Friday, September 02, 2016	Sheet 7	of 11

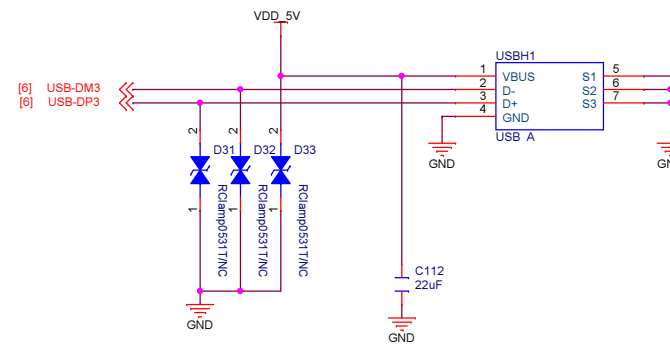
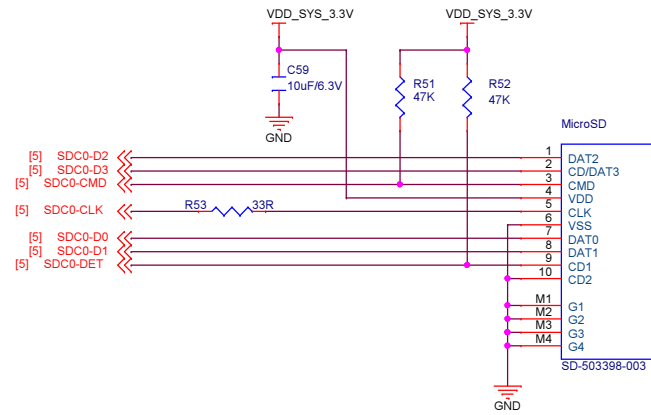
POWER 02



FRIENDLYARM

NanoPi NEO V1.1		
Size	Document Number	Rev
A3	08:Power-02	V1.1 1607
Date:	Friday, September 02, 2016	Sheet 8 of 11

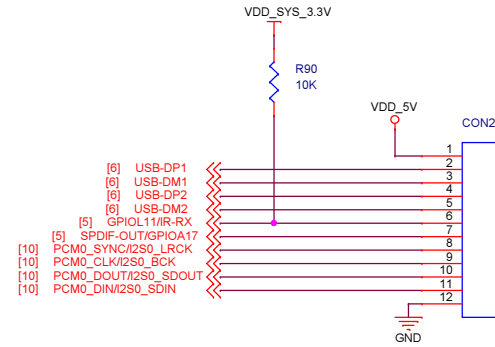
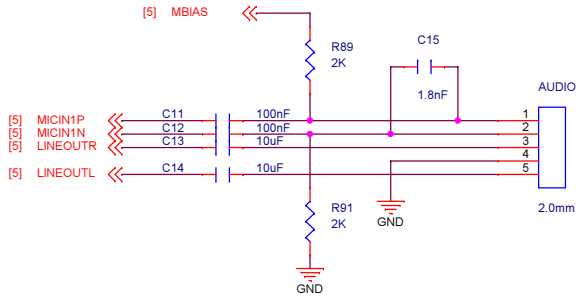
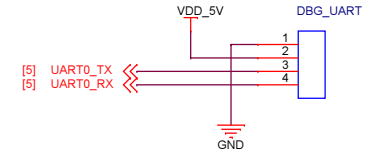
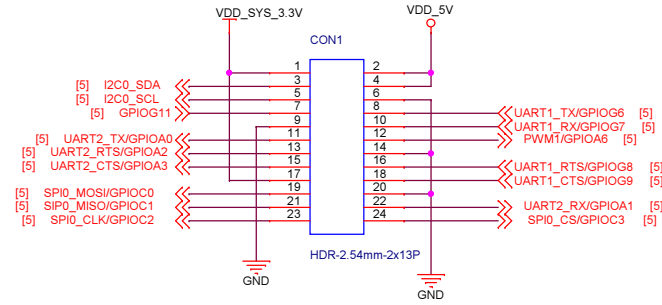
TF,USB Host



FRIENDLYARM

NanoPi NEO V1.1		
Size A3	Document Number 09:Card,USB Host, AV	Rev V1.1 1607
Date:	Friday, September 02, 2016	Sheet 9 of 11

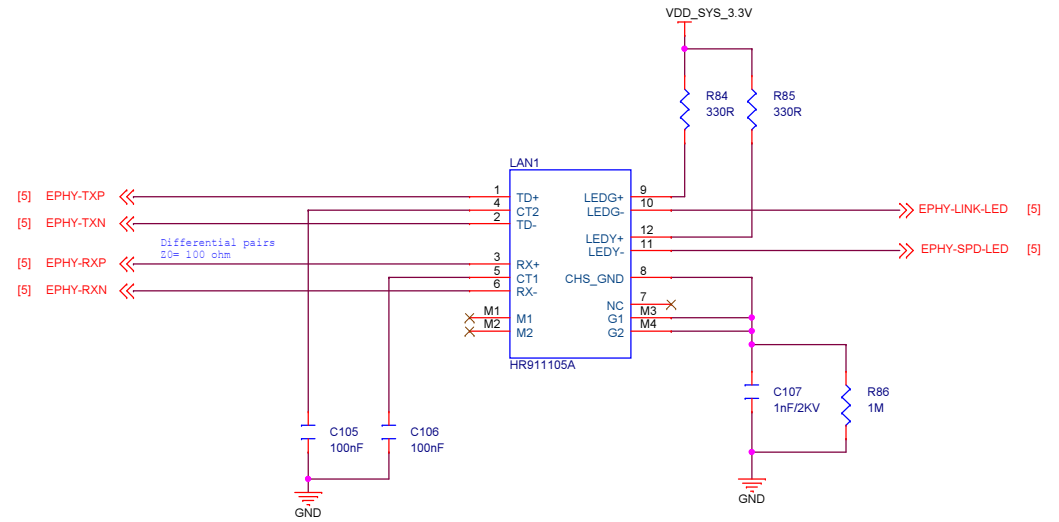
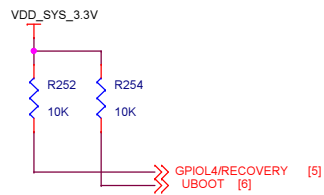
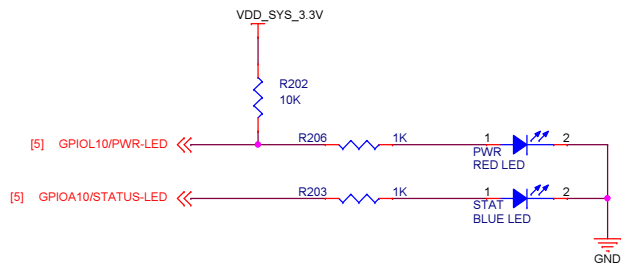
GPIO



FRIENDLYARM

NanoPi NEO V1.1		
Size A3	Document Number 11:GPIO, CAM, IR	Rev V1.1 1607
Date: Friday, September 02, 2016	Sheet 10	of 11

LEDs, LAN, Keys



FRIENDLYARM

NanoPi NEO V1.1		
Size A3	Document Number 12:LEDs, LAN, Keys	Rev V1.1 1607
Date: Friday, September 02, 2016	Sheet 11	of 11