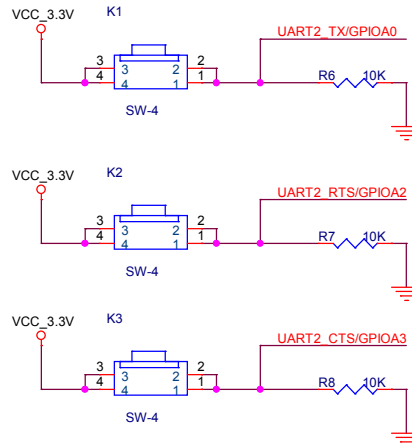
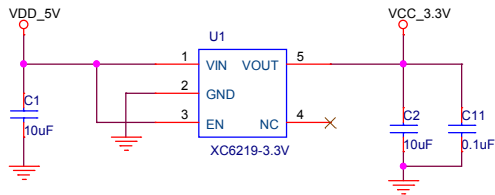
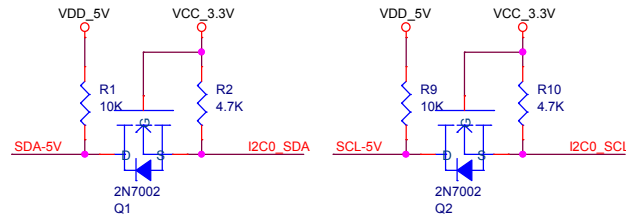
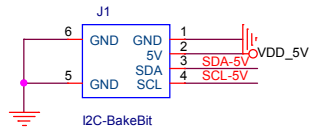


If tie D/C# (pin 15) to GND, (R4=NC R3=10K).
the I2C slave address is 0111100b'.

If tie D/C# (pin 15) to VDD, (R4=10K R3=NC).
the I2C slave address is 0111101b'.



NanoHat OLED		
Size B	Document Number v1.0	Rev 1703
Date: Thursday, May 18, 2017	Sheet 9	of 11