

# NanoPi NEO Plus2

## Revision

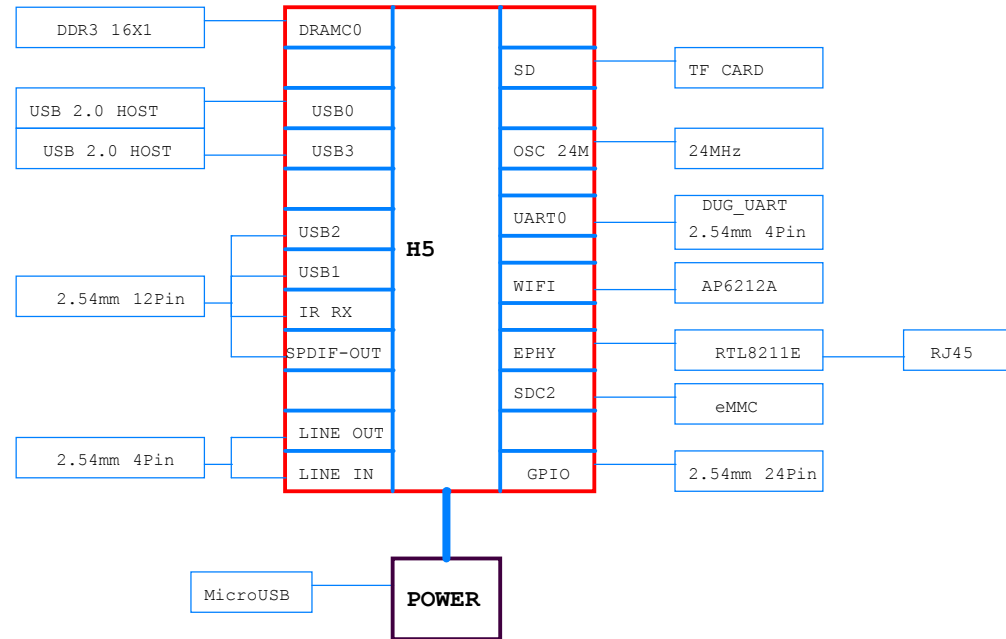
1704 , V1.0

1805 , V1.1 Changed Aduio connect to 4pin 2.54mm pitch pin-header

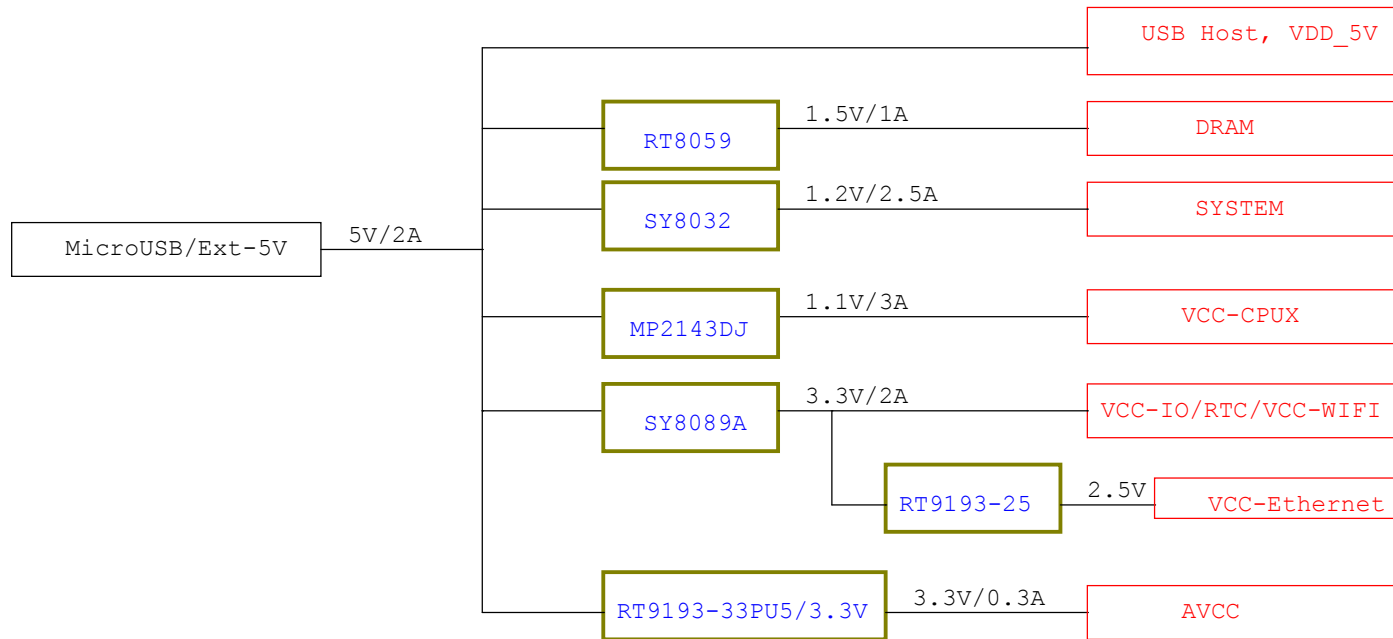


|                  |                            |                  |
|------------------|----------------------------|------------------|
| NanoPi NEO Plus2 |                            |                  |
| Size<br>A3       | Document Number<br>Title   | Rev<br>v1.1 1805 |
| Date:            | Wednesday, August 22, 2018 | Sheet 1 of 15    |

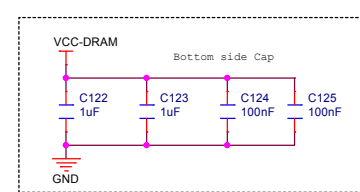
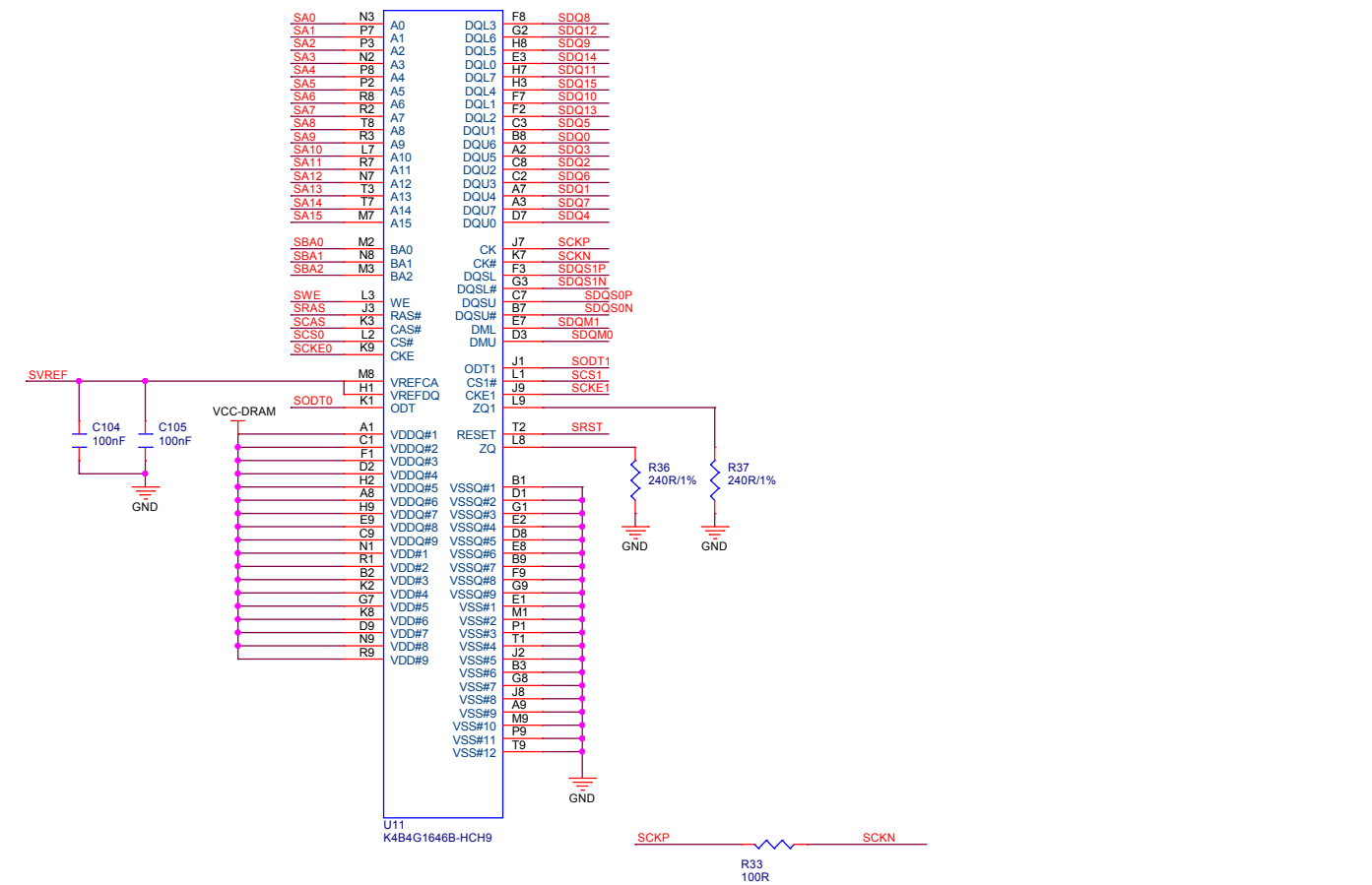
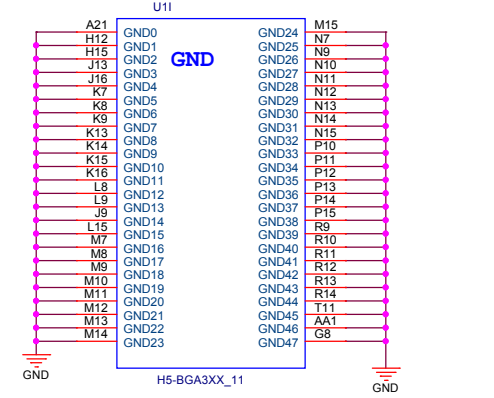
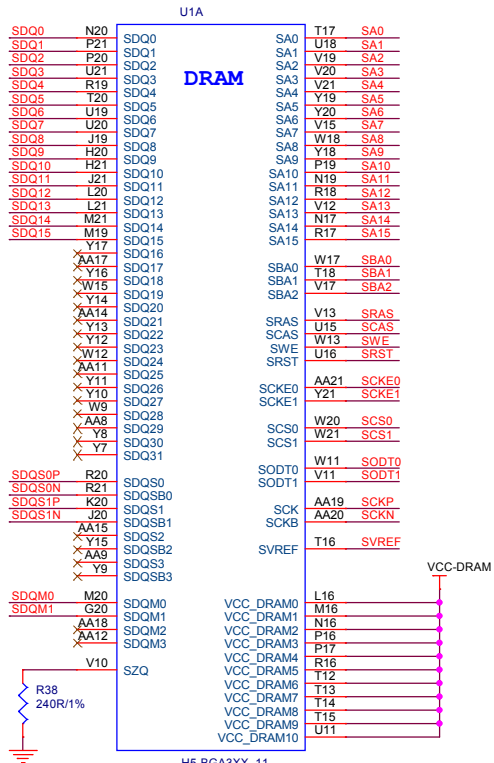
# BLOCK



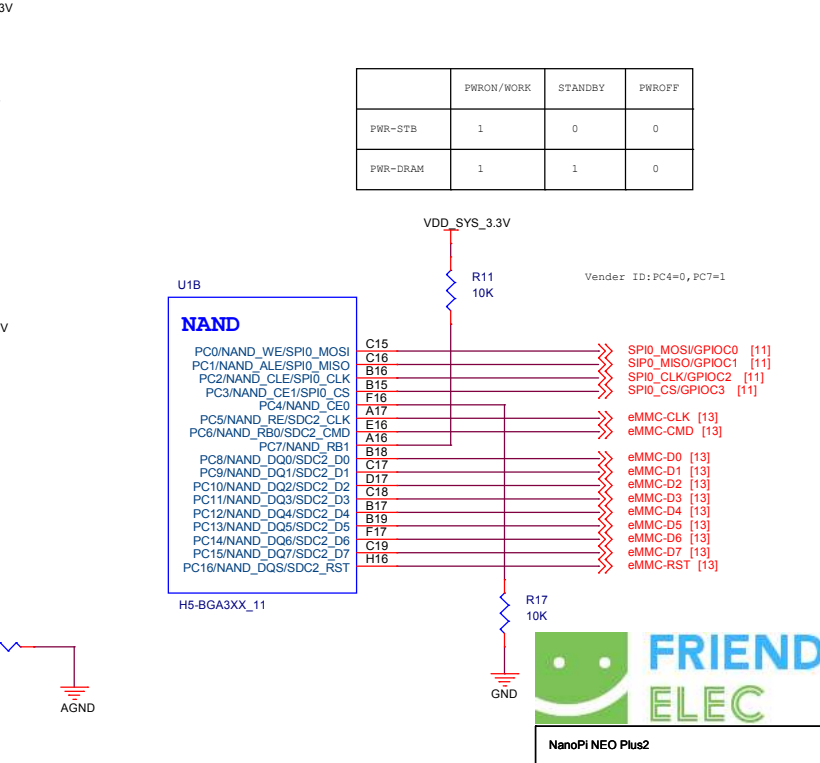
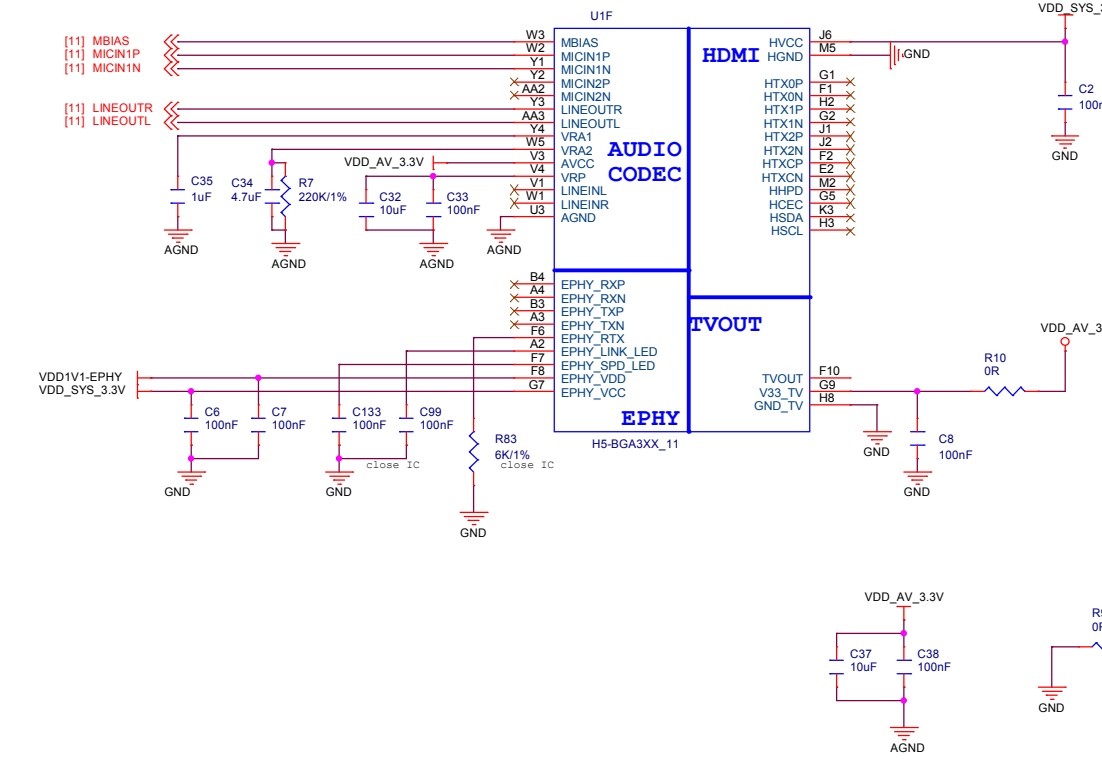
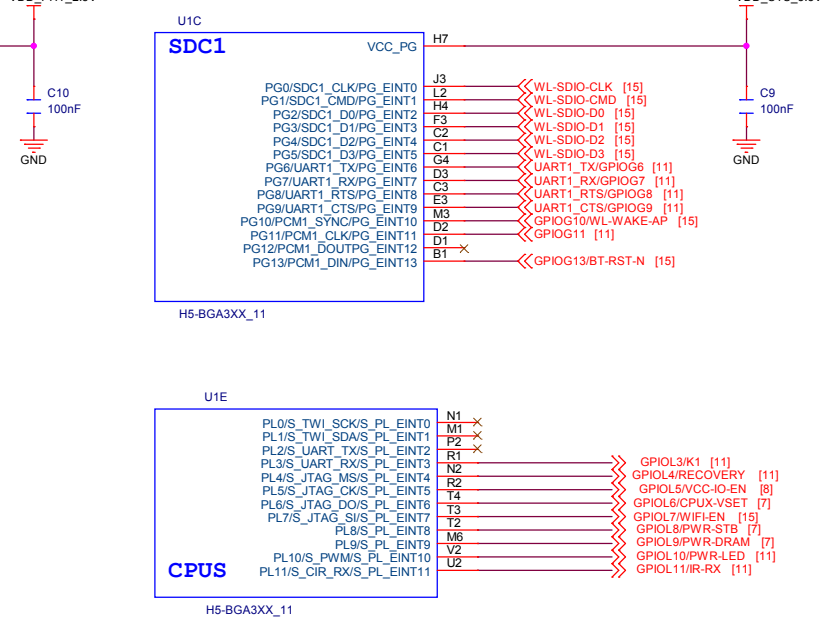
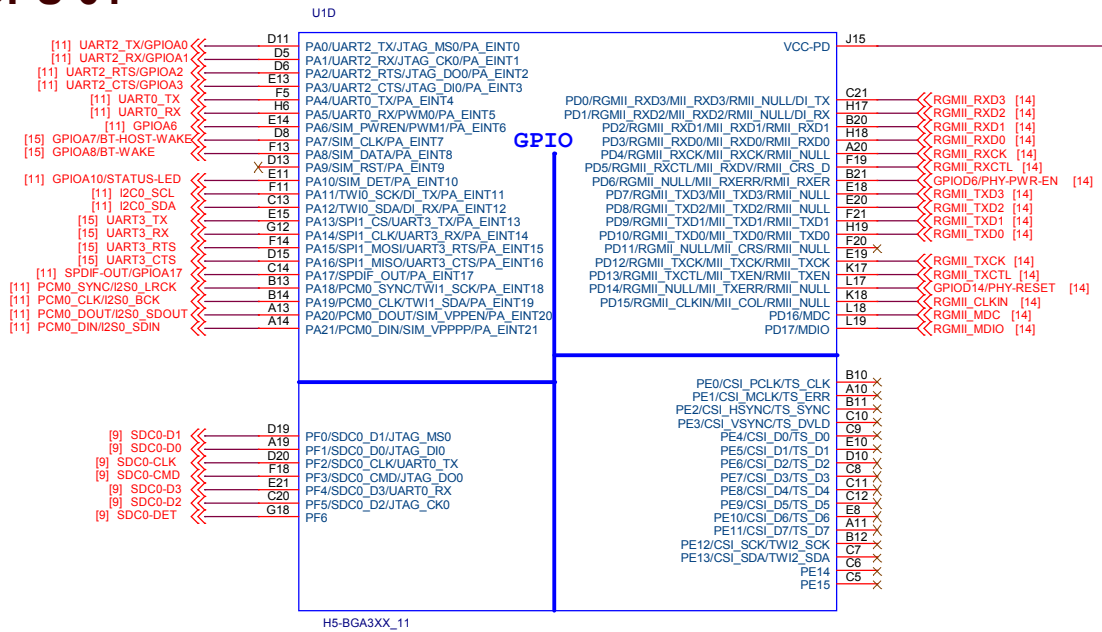
# POWER TREE



# DDR3 16x1



# CPU 01

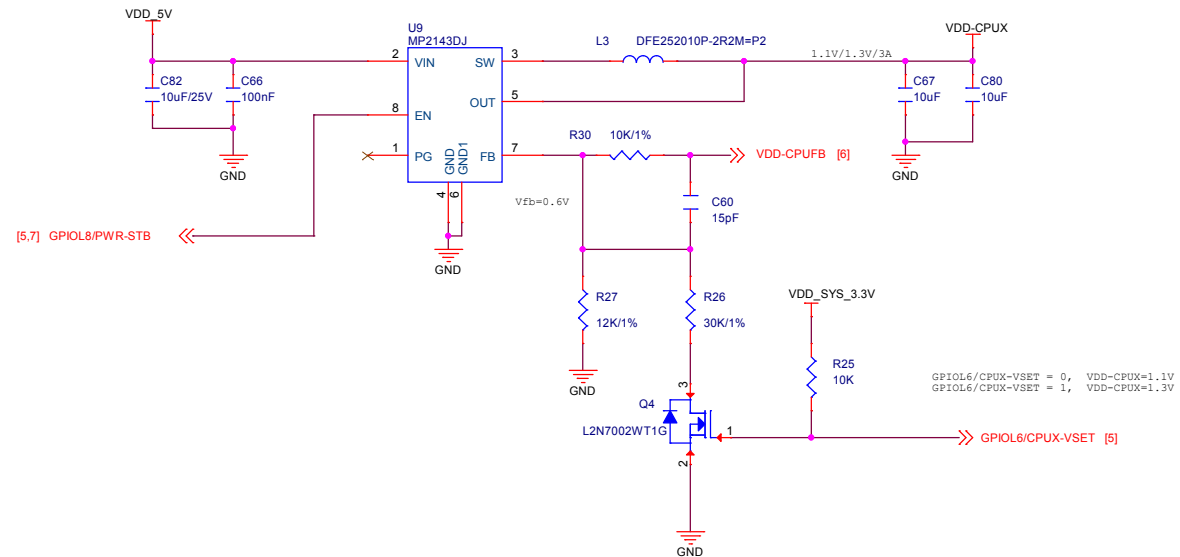
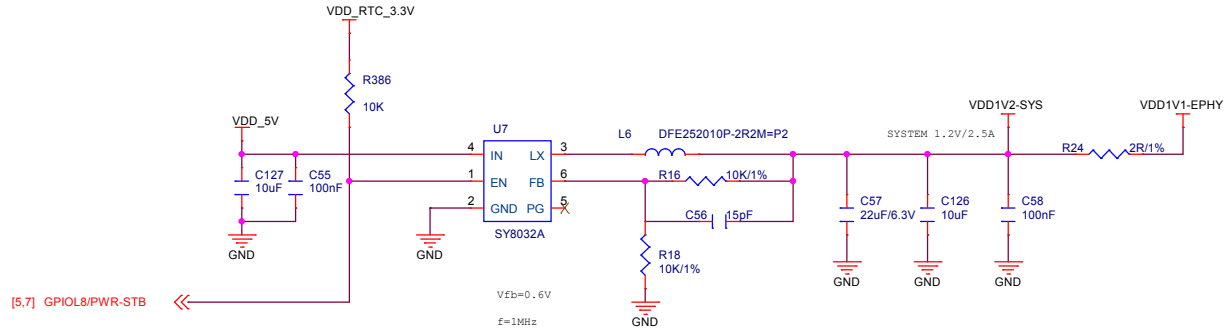
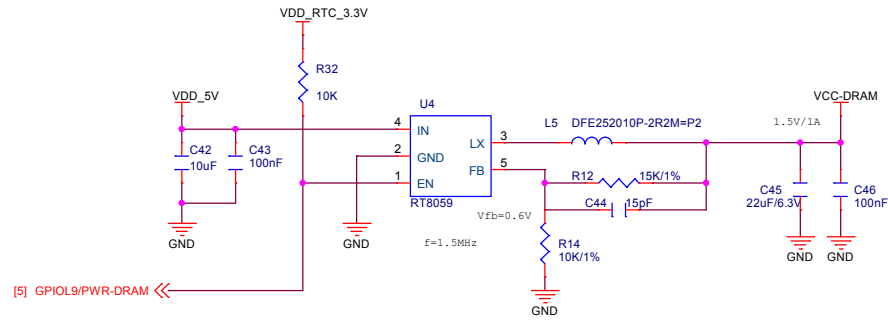


|          | PWRON/WORK | STANDBY | PWROFF |
|----------|------------|---------|--------|
| PWR-STB  | 1          | 0       | 0      |
| PWR-DRAM | 1          | 1       | 0      |

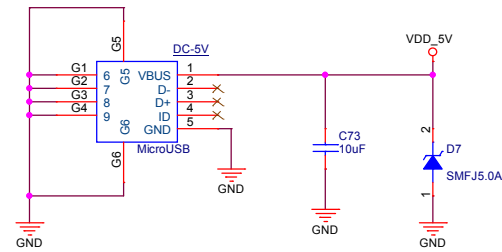




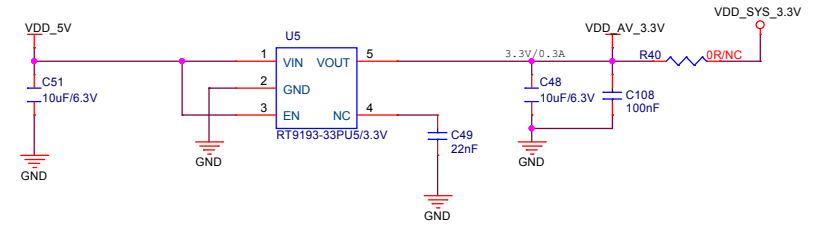
# POWER 01



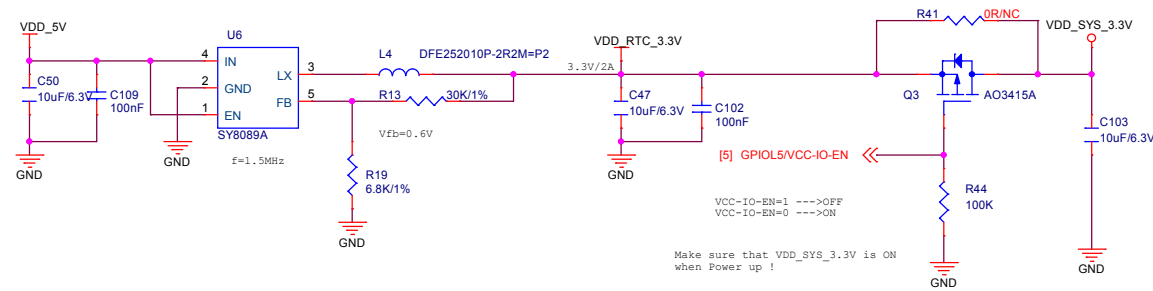
# POWER 02



## VCC-AVCC 3.3V/0.3A

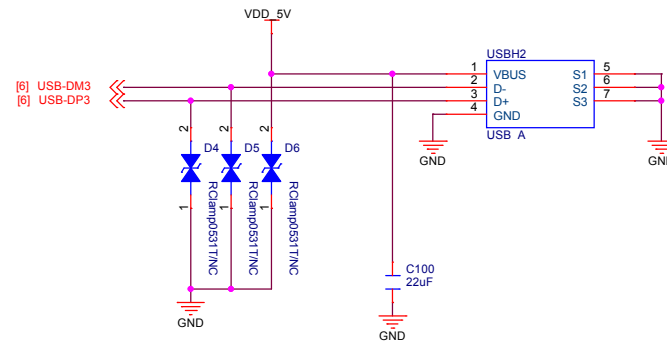
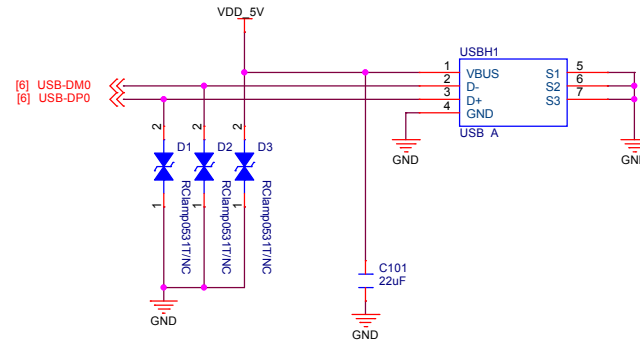
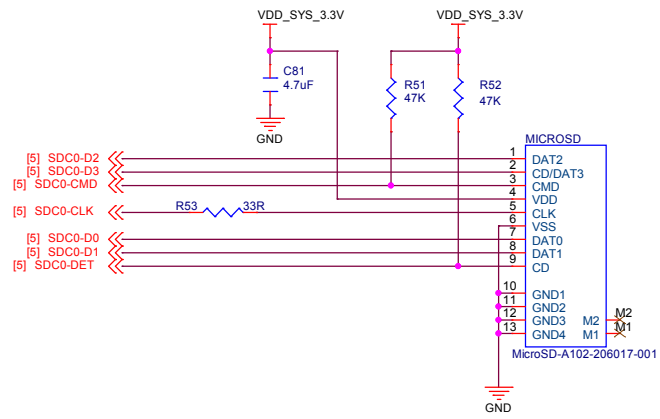


## VCC-IO 3.3V/2A





# TF,USB Host



# GPIO,LEDs,DBG\_UART,AUDIO

