

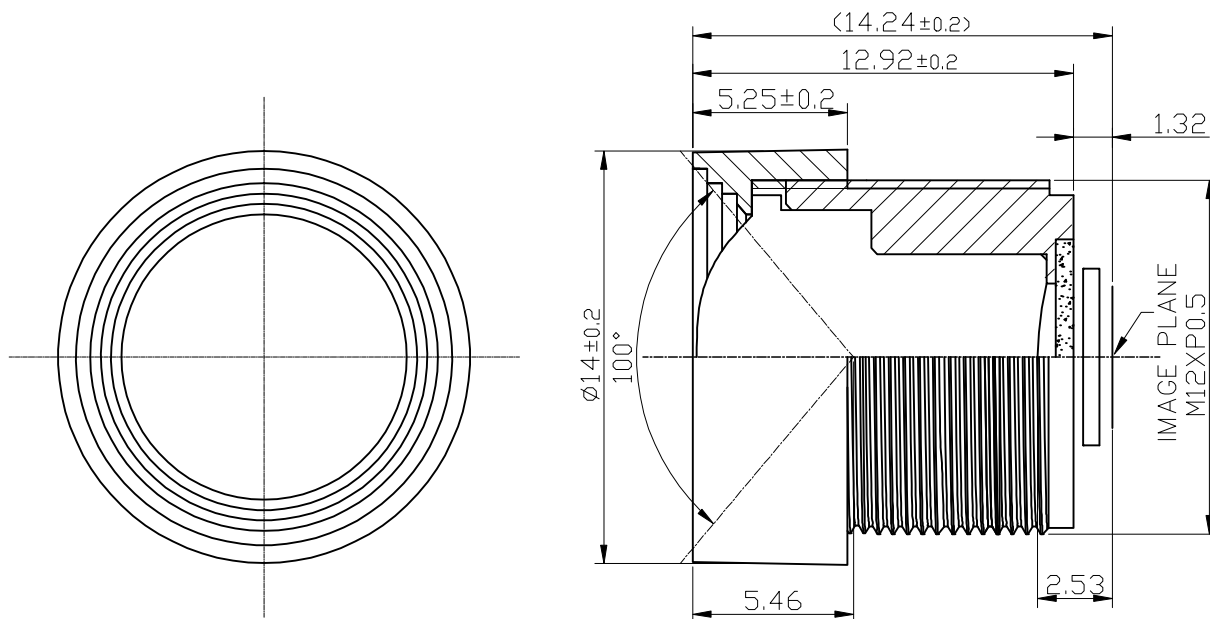
**PRODUCT NAME : ST\_6108\_A6**

1. SPECIFICATION :

	SPECIFICATION	
1	SENSOR SIZE	1/4" for 1M&2M
2	WAVELENGTH	400-700nm(COLOR)
3	FOCAL LENGTH (EFL)	f=2.1mm±5%
4	F/NO (INFINITE)	F/NO=2.2
5	BACK FOCAL LENGTH	BFL=2.53±5%
6	FLANGE BACK LENGTH	FB=1.32±5%
7	FIELD OF VIEW (DIAGONAL)	95°±5%
8	OPTICAL DISTORTION (DIAGONAL)	-4.0%
9	HORIZONTAL ANGLE(DISTORTION)	83°±5%(-2.0%)
10	THREAD SIZE	M12XP0.5
11	ELEMENT	4ELEMENT+IR
12	IR FILTER SPEC	FILTER:Tavg>=88% at430-620nm T=50% at650±15nm Tavg<5% at700-1100nm

2. OPTICAL LAYOUT :

**scale 4 : 1**



UNIT	mm	BORDER	A4	NAME	DATE
SCALE	4:1	DRAWING BY			
SURFACE		CHECKED BY			
VIEW		APPROVED BY			

REV	DESCRIPTION	DATE	NAME
①			
②			
③			
④			
⑤			

PRODUCT NAME :

**ST\_6108\_A6**



世大光電(深圳)有限公司  
STAR OPTICAL CO., LTD.