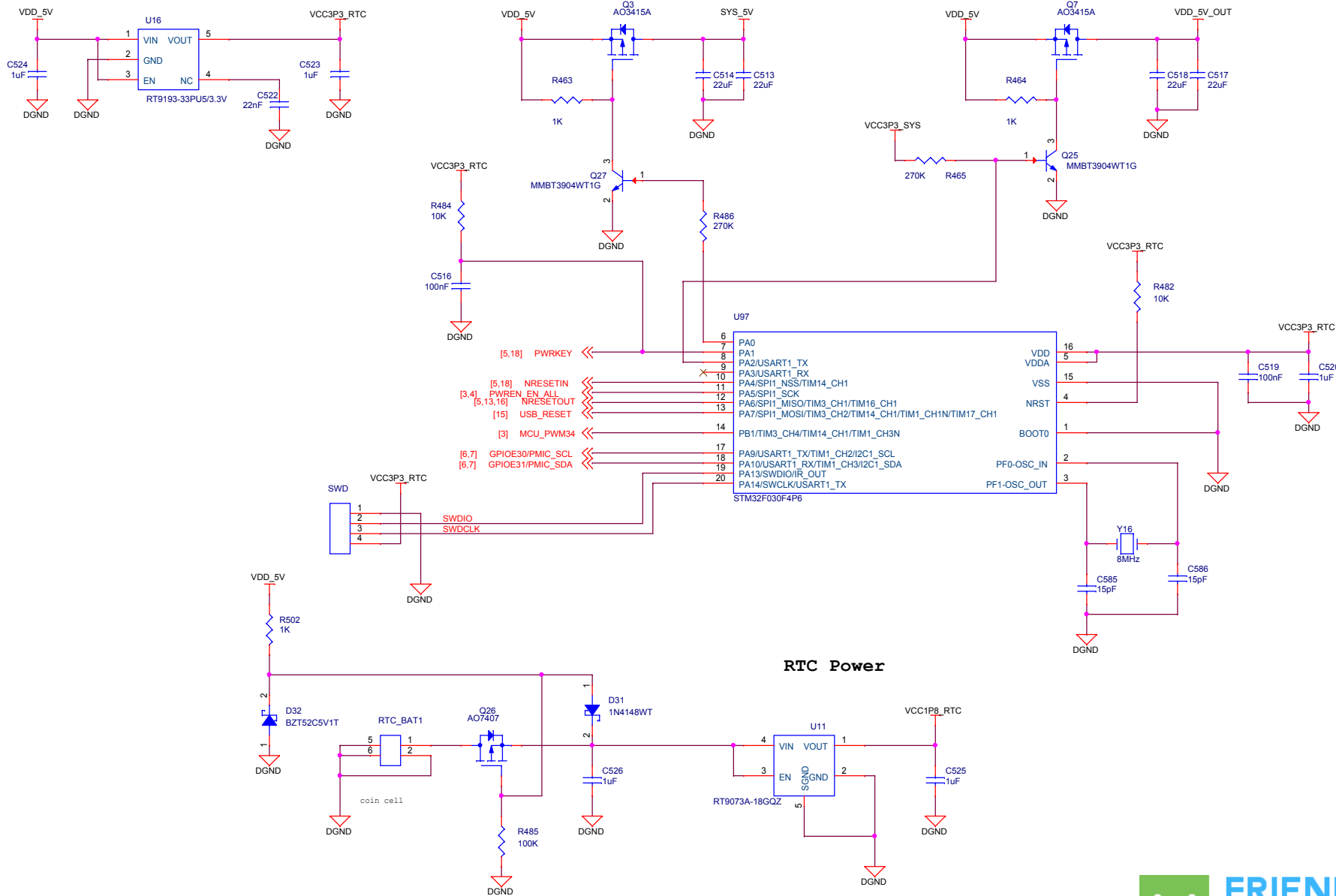


# NanoPC T2/T3

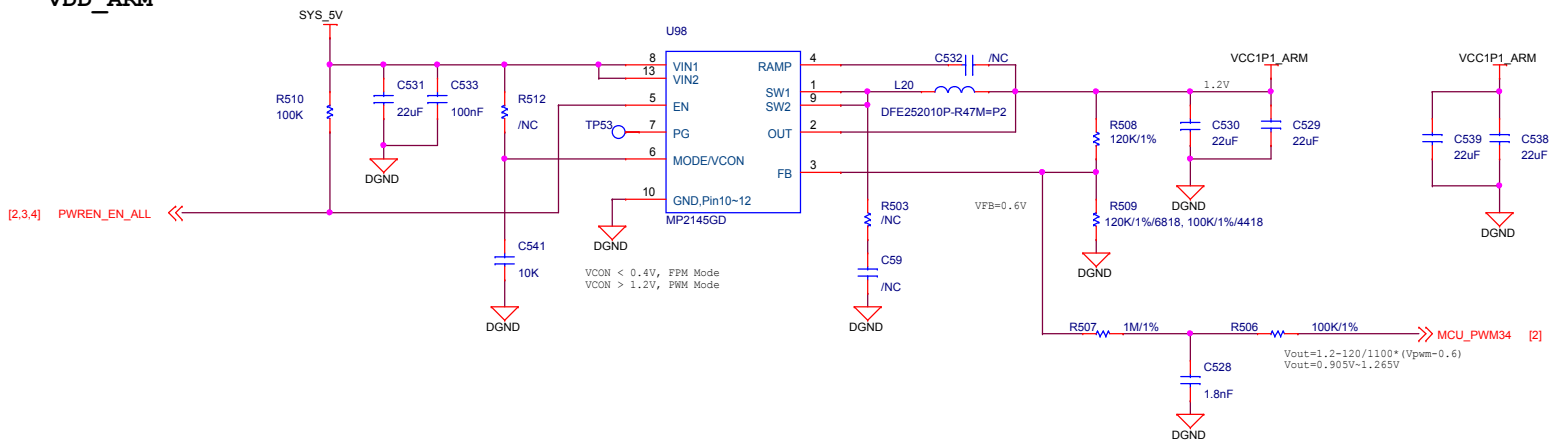
2020/01/13:  
R463 -> 1K, R486 -> 270K, R465 -> 270K, R464 -> 1K, R512 -> NC, C541 -> 10K  
for T2(95P4418), R509 -> 100K/1%



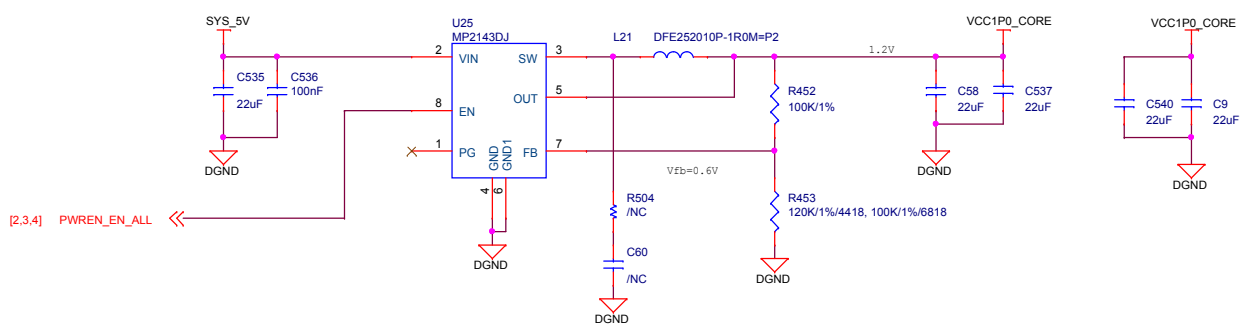
NanoPC-T2/T3		
Size	Document Number	Rev
A3	01.Title	1711
Date:	Monday, January 13, 2020	Sheet 1 of 18

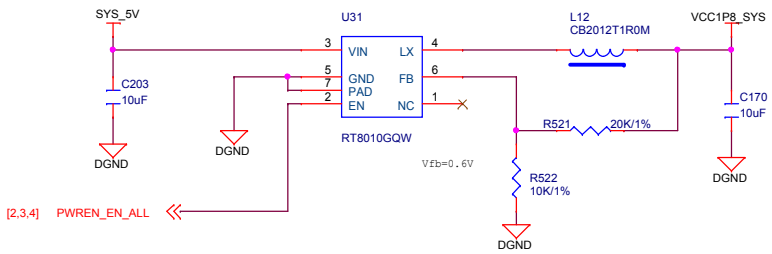
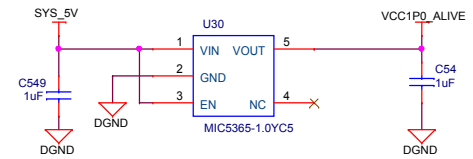
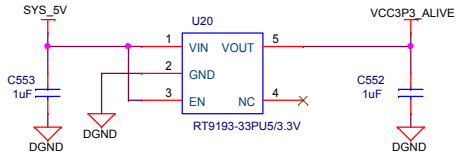
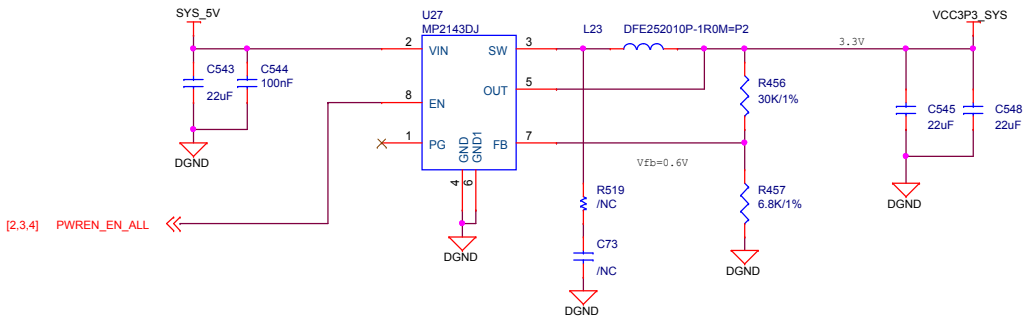
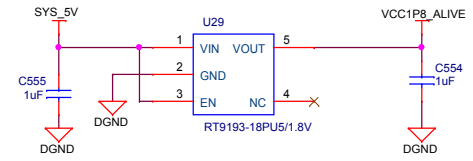
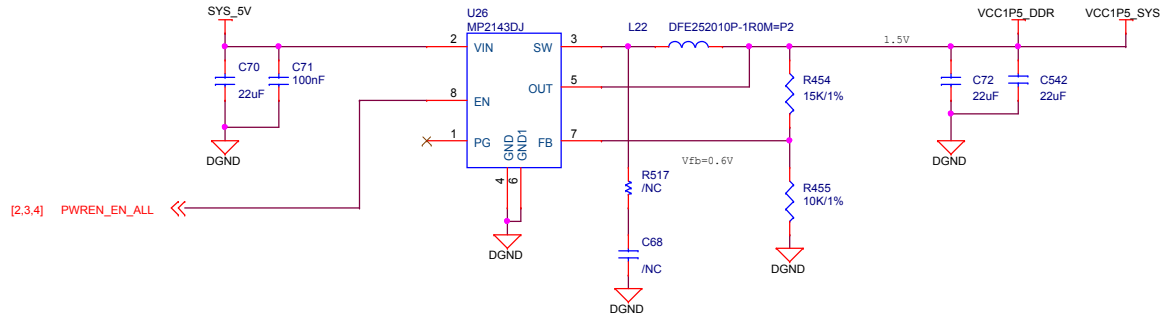


### VDD\_ARM



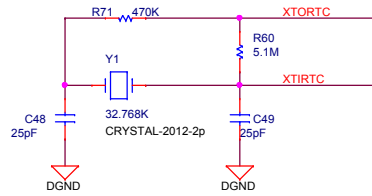
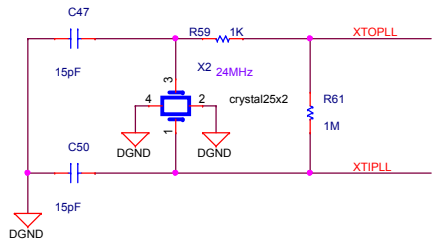
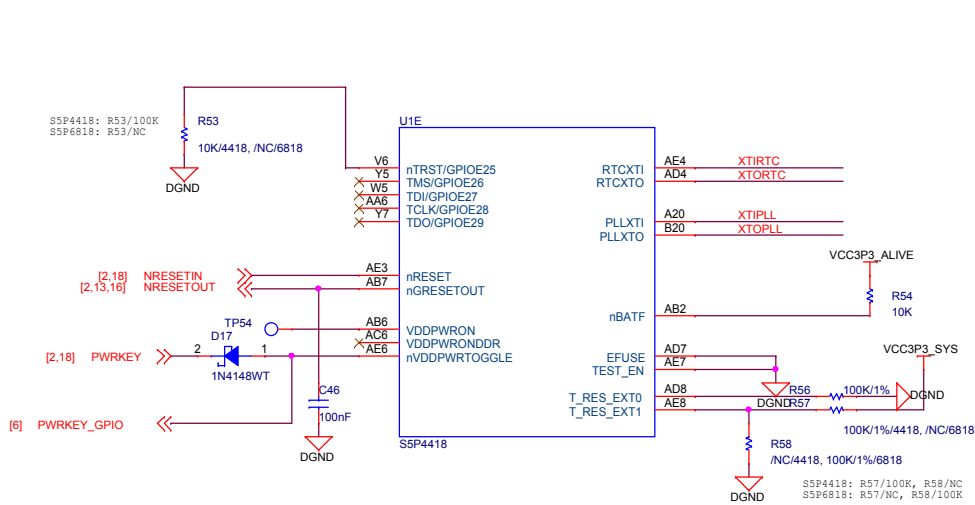
### VDD\_CORE



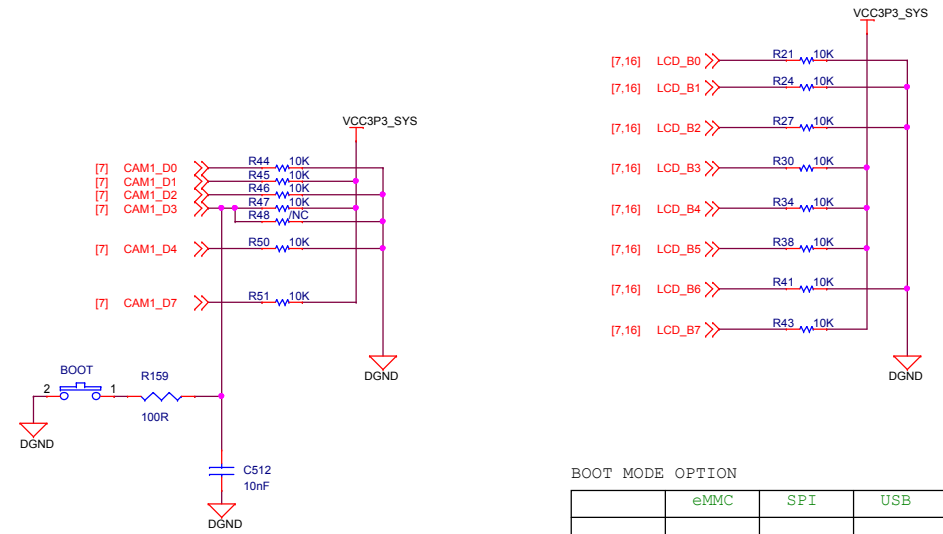


NanoPC-T2/T3		
Size A3	Document Number 04.3.3V/1.8V/1.5V/alive	Rev 1711
Date: Wednesday, January 10, 2018	Sheet 4	of 18

## System Reset, Clocks



## Boot Mode Config



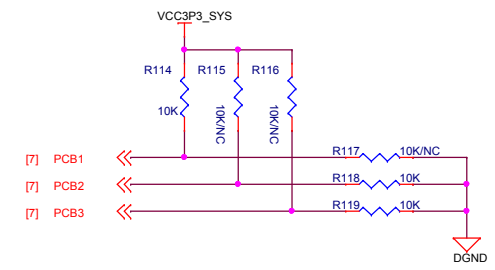
BOOT MODE OPTION

	eMMC	SPI	USB	NAND
SD0	HIGH	LOW	LOW	HIGH
SD1	LOW	LOW	HIGH	HIGH
SD2	HIGH	HIGH	HIGH	HIGH
SD4	LOW	HIGH		
SD5	LOW	LOW		

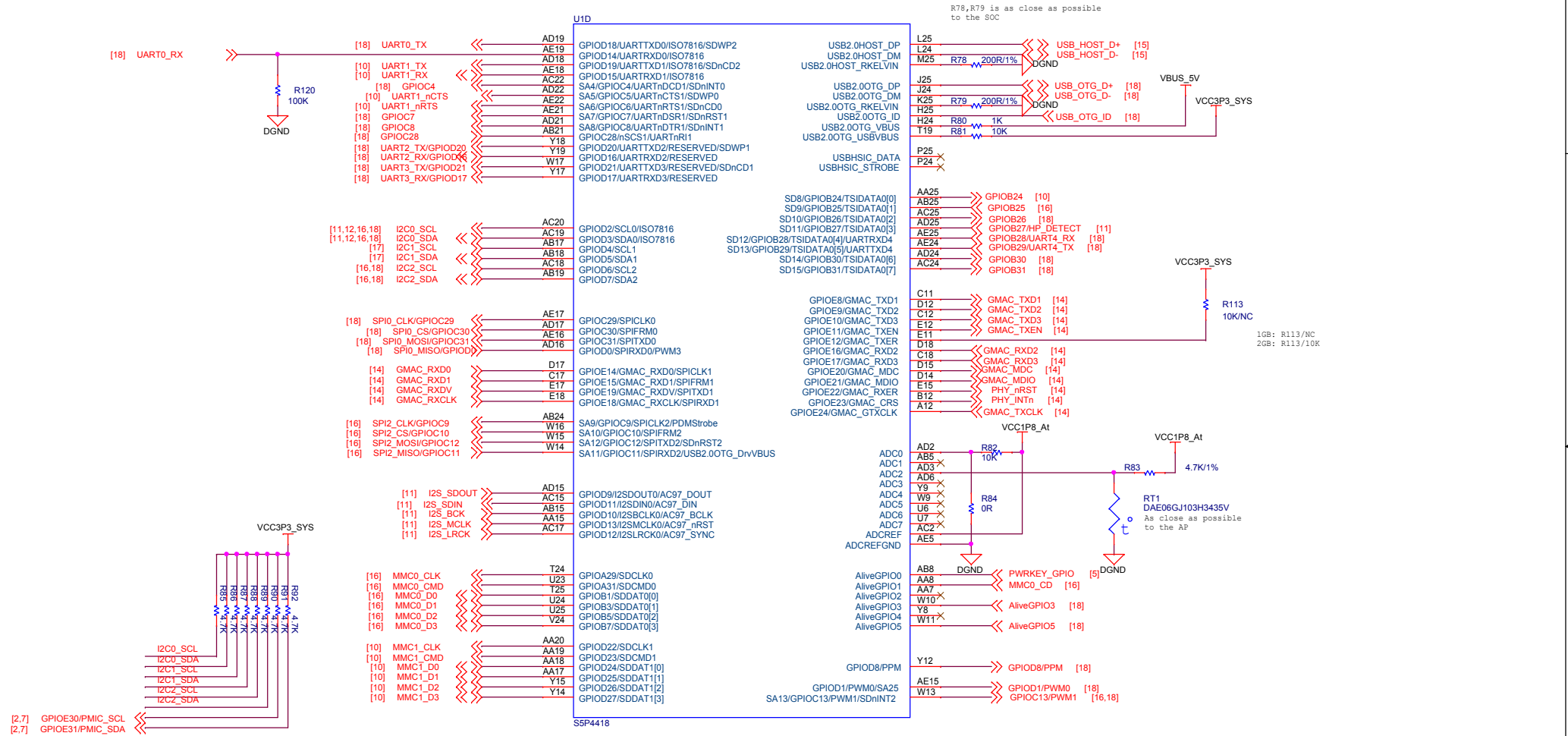
Boot media port select (SPI, eMMC)

	CH0	CH1	CH2
SD3	LOW	HIGH	LOW
CAM1_D3	LOW	LOW	HIGH

## PCB Version



# AP Peripherals

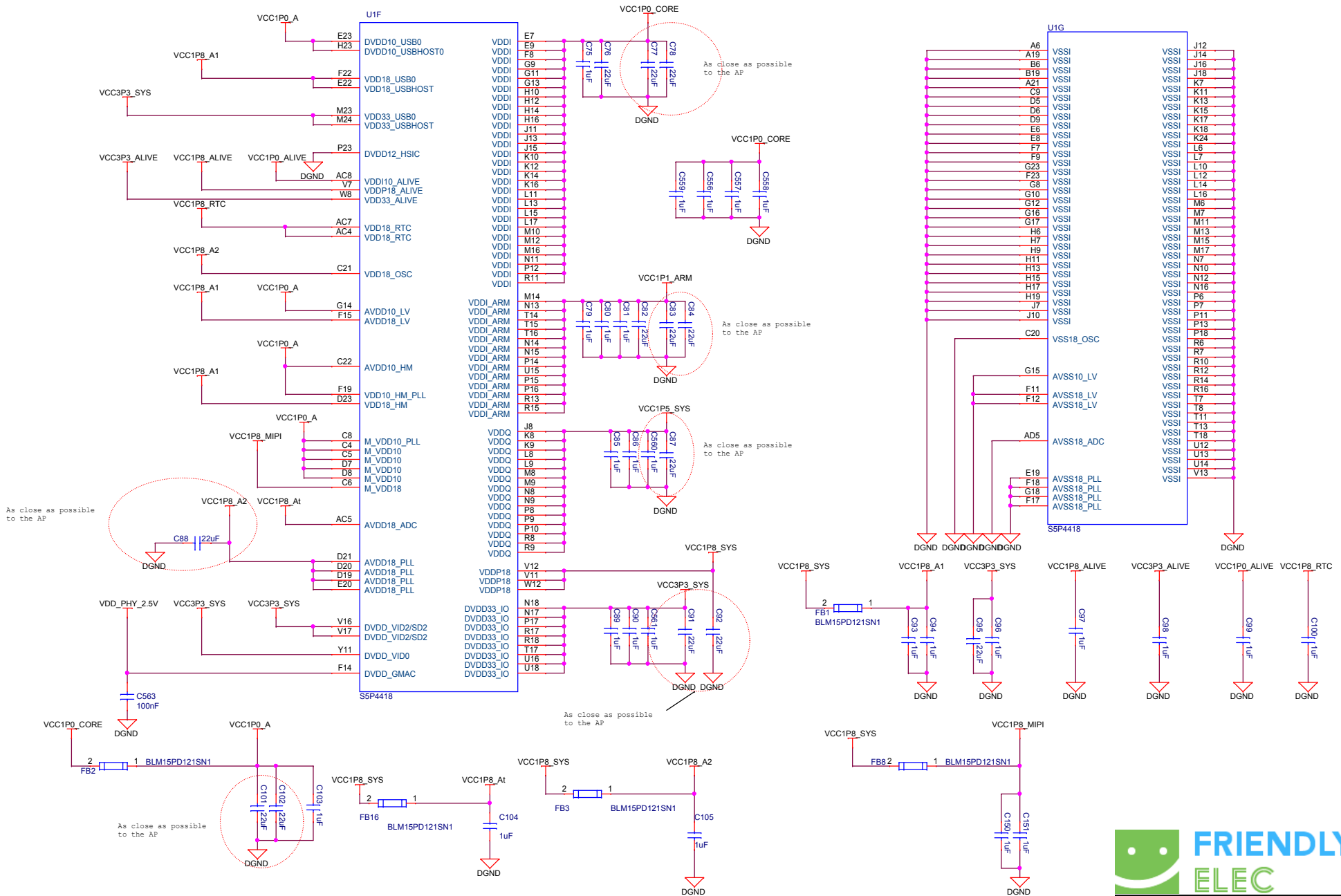


I2C CH0 : Camera  
 I2C CH1 : HDMI EDID  
 I2C CH2 : Touch  
 PMIC\_I2C : PMIC



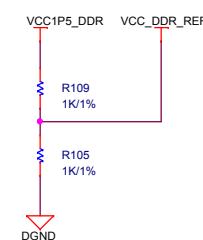
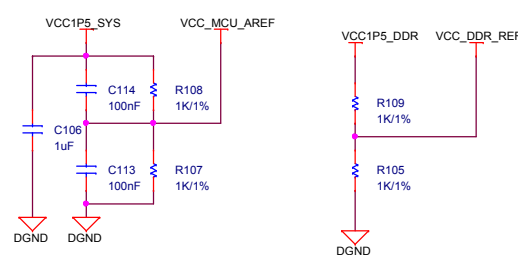
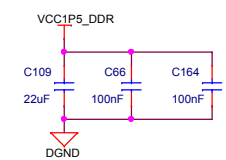
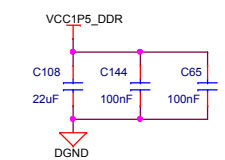
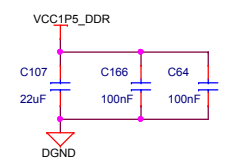
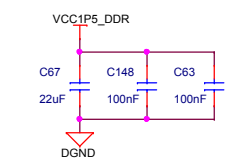
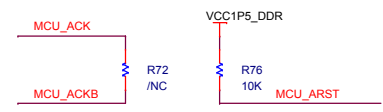
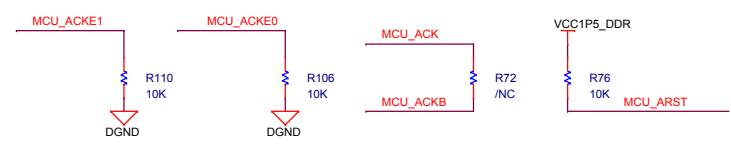
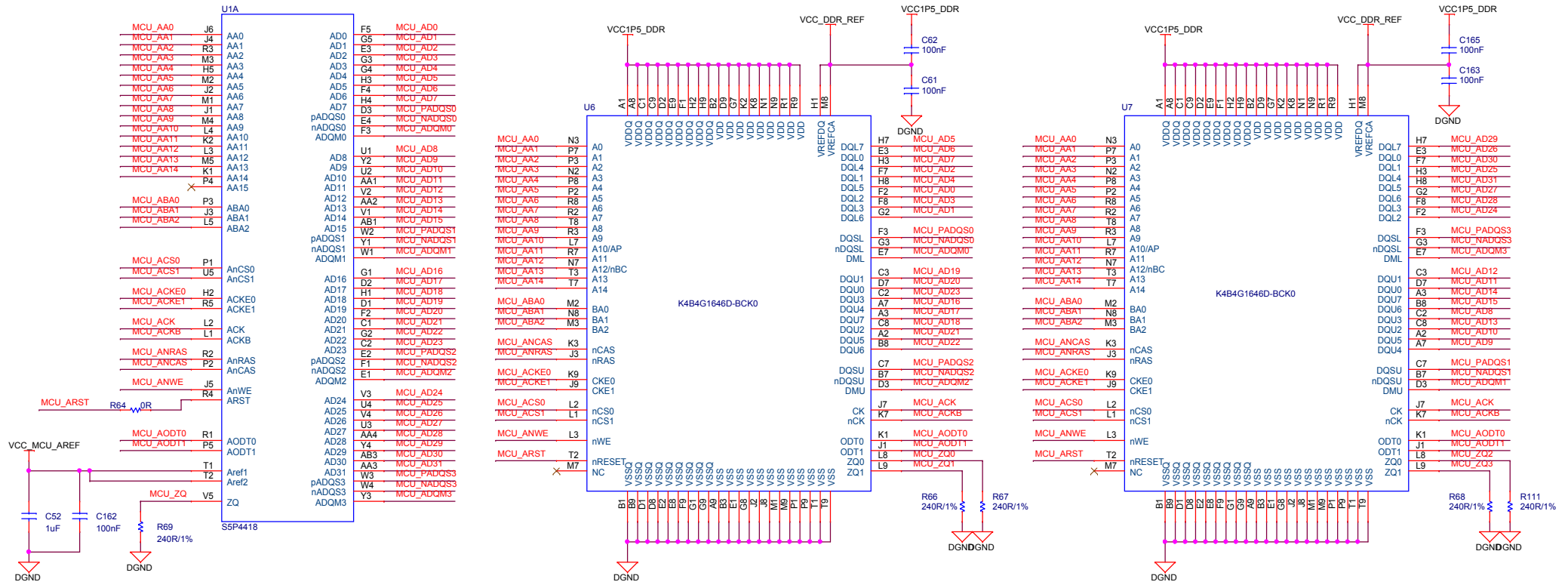


# AP Power

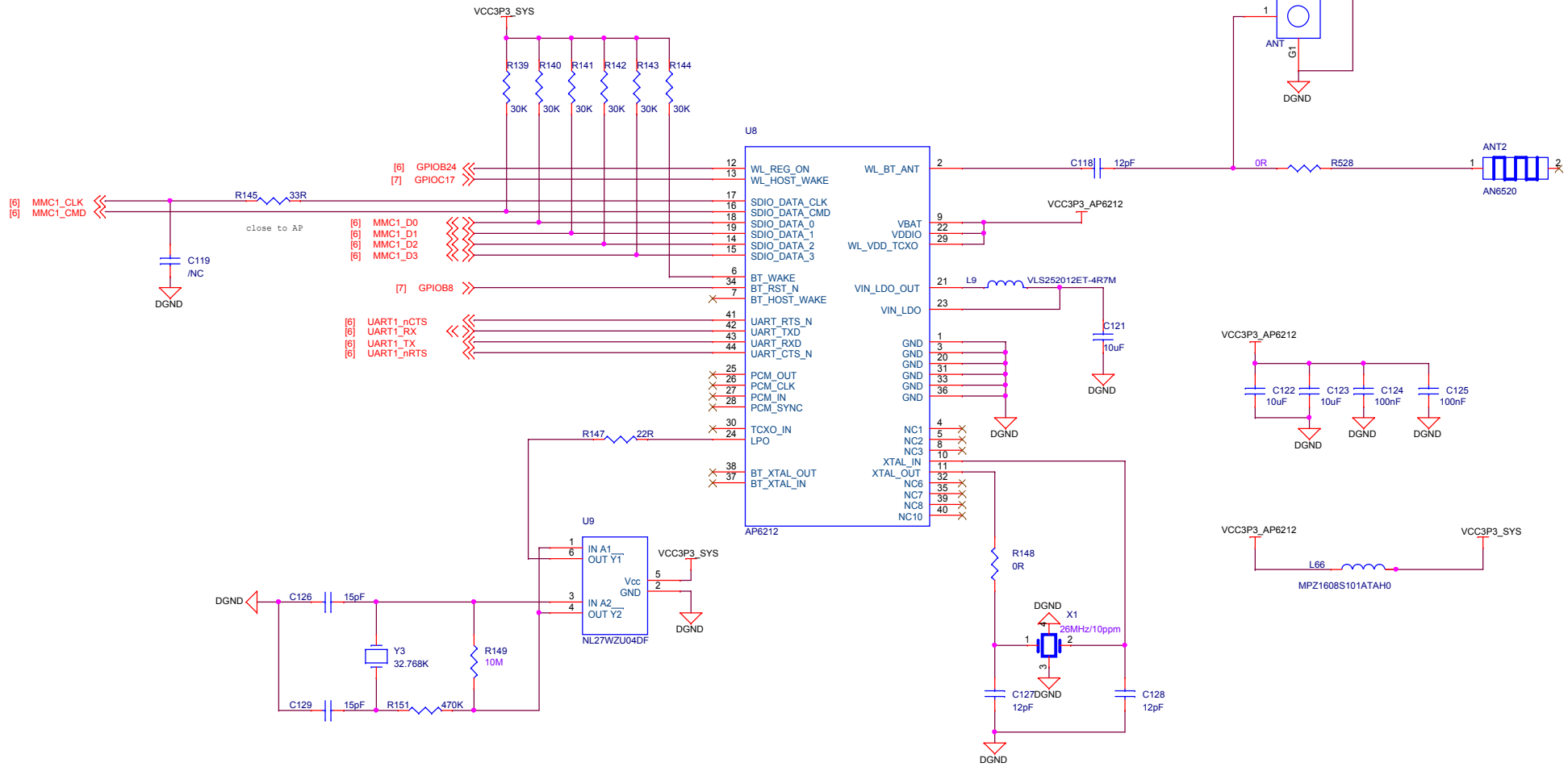




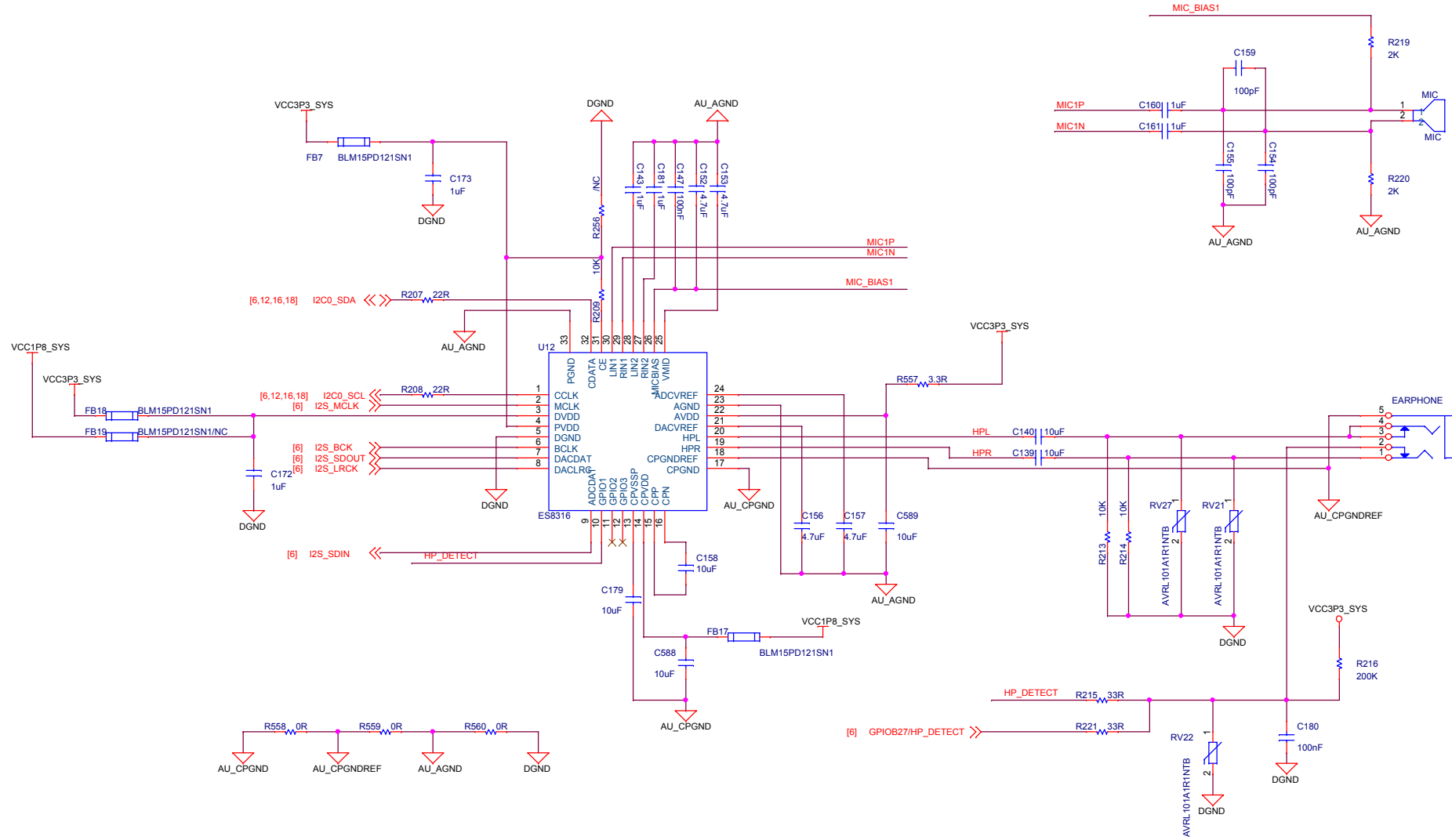
# DDR3



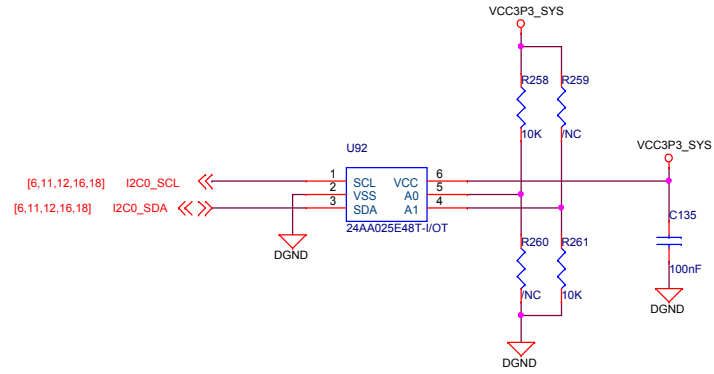
# Wi-Fi/Bluetooth



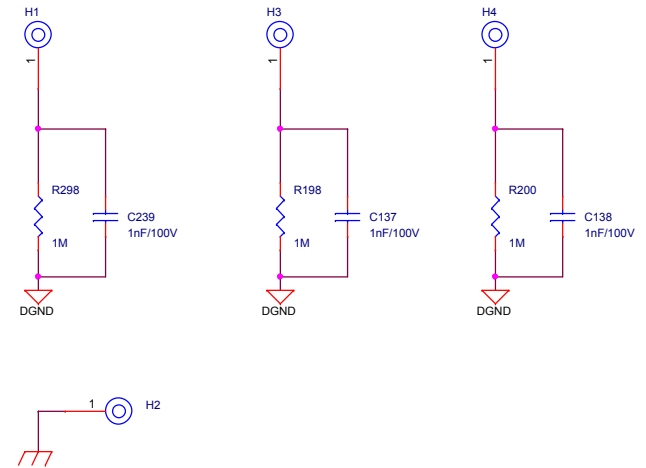
# Audio



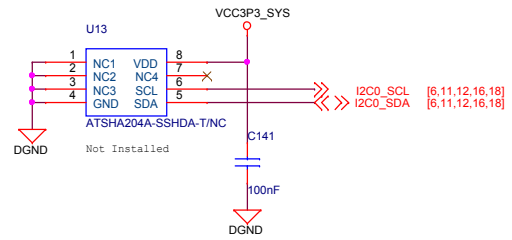
## EEPROM with MAC Address



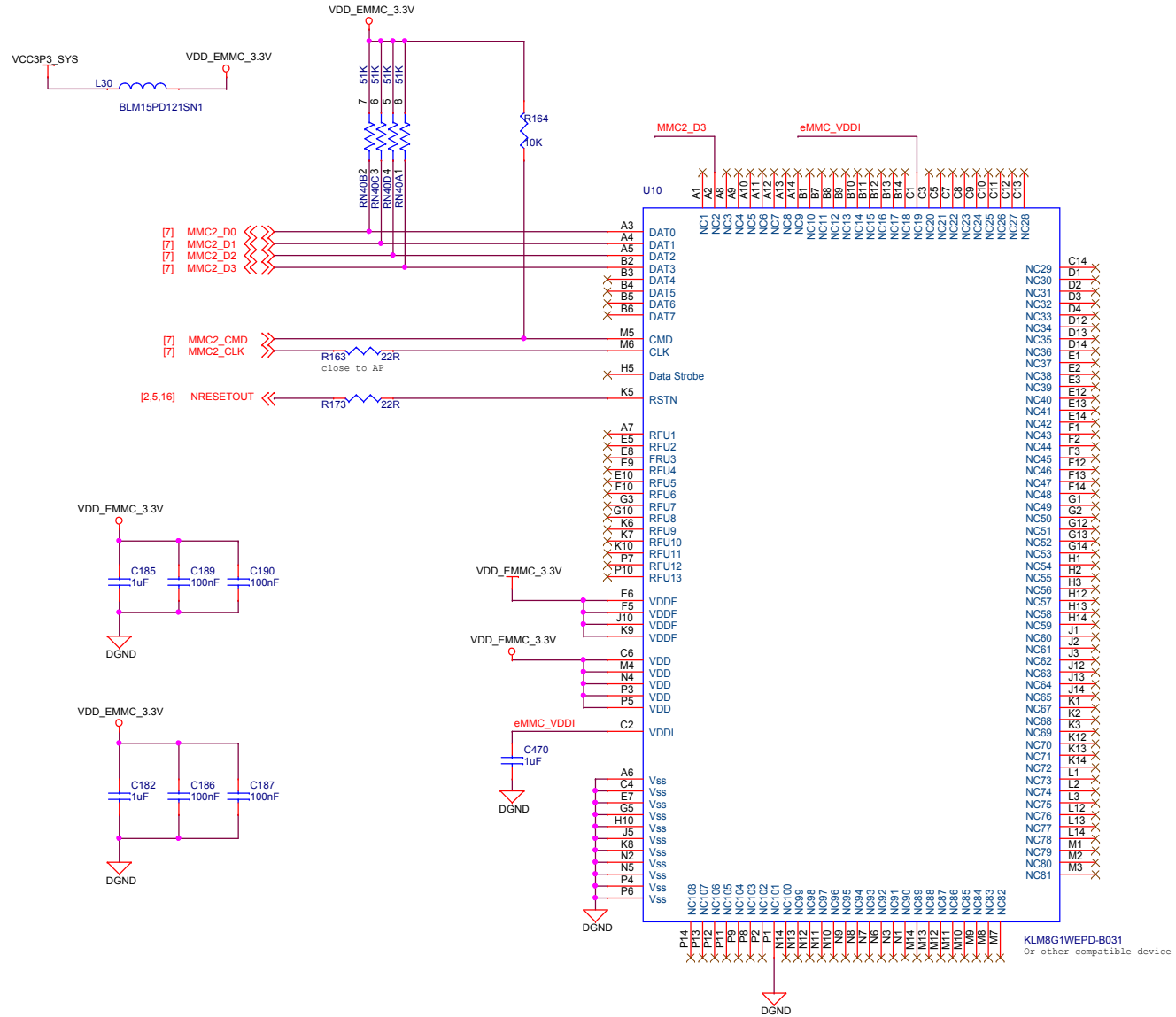
## Mounting Holes



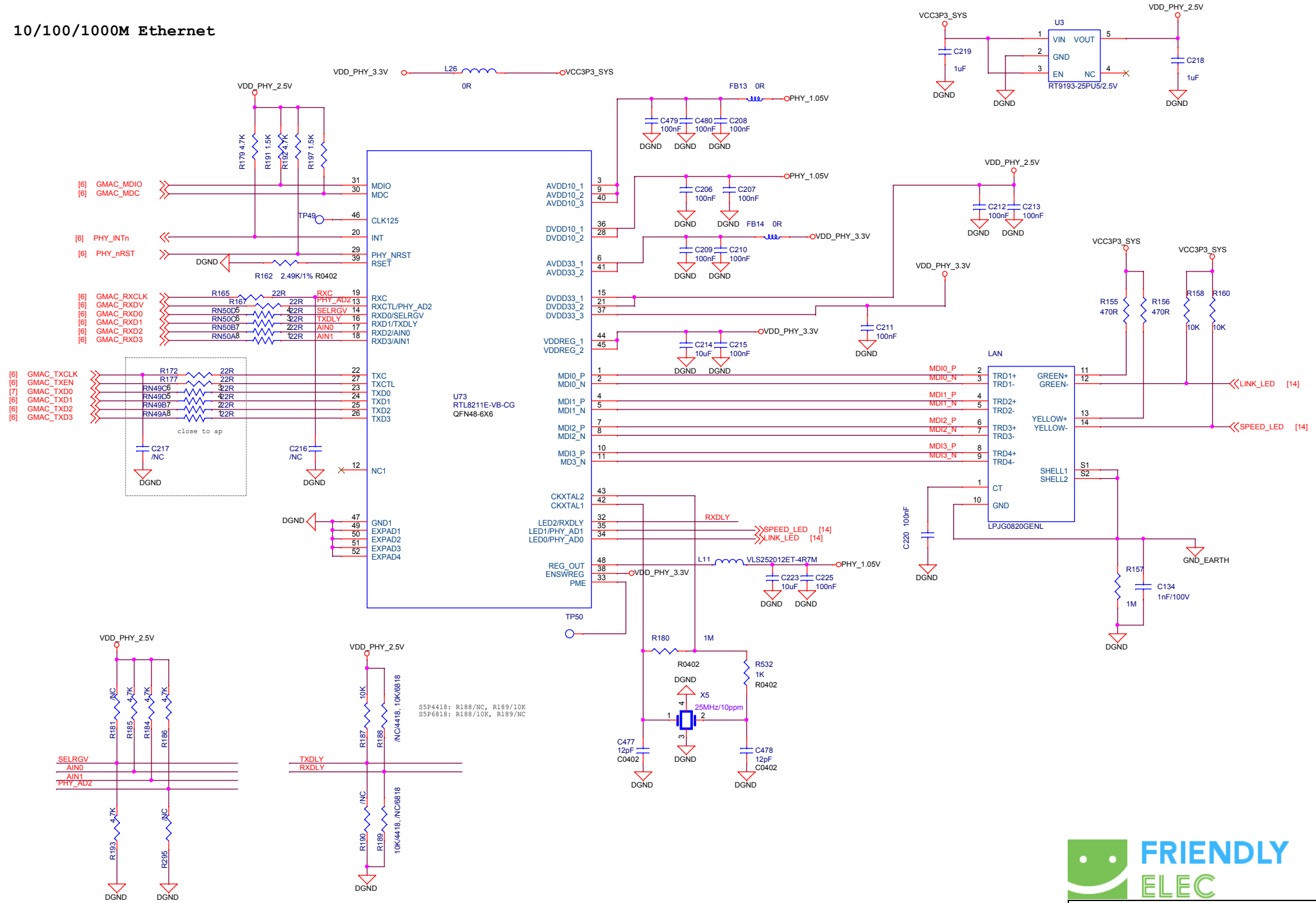
## CryptoAuthentication



eMMC



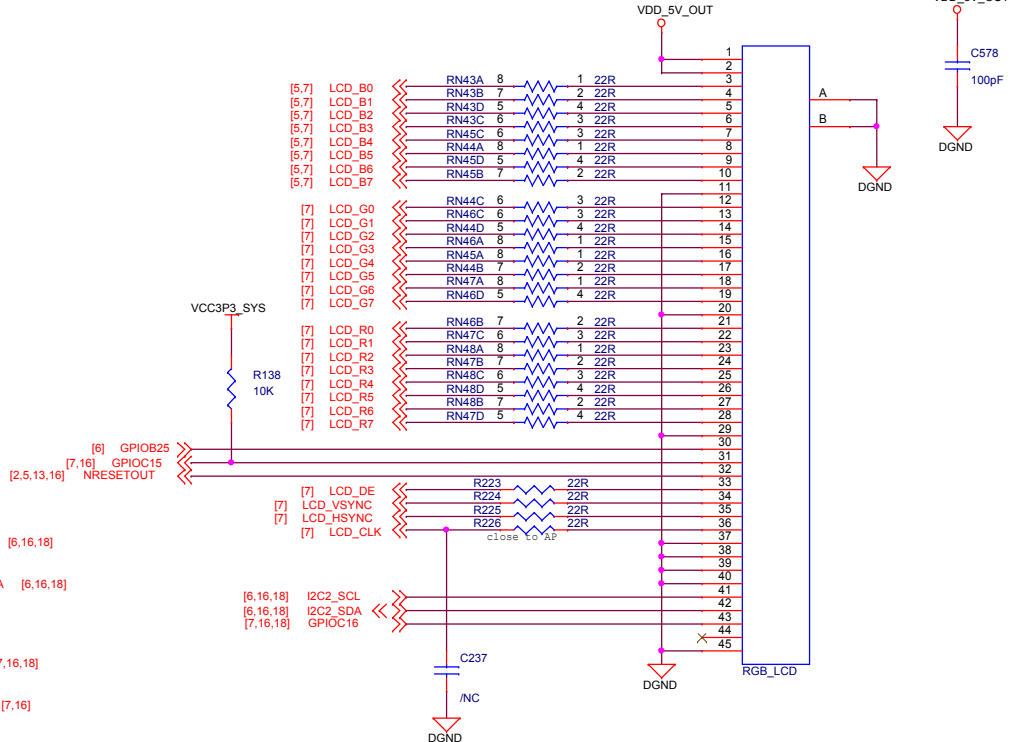
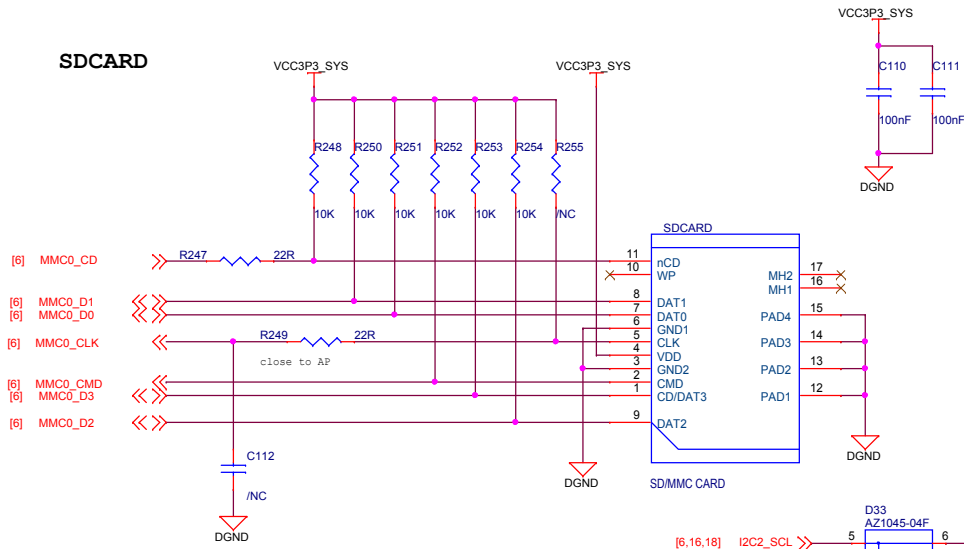
# 10/100/1000M Ethernet



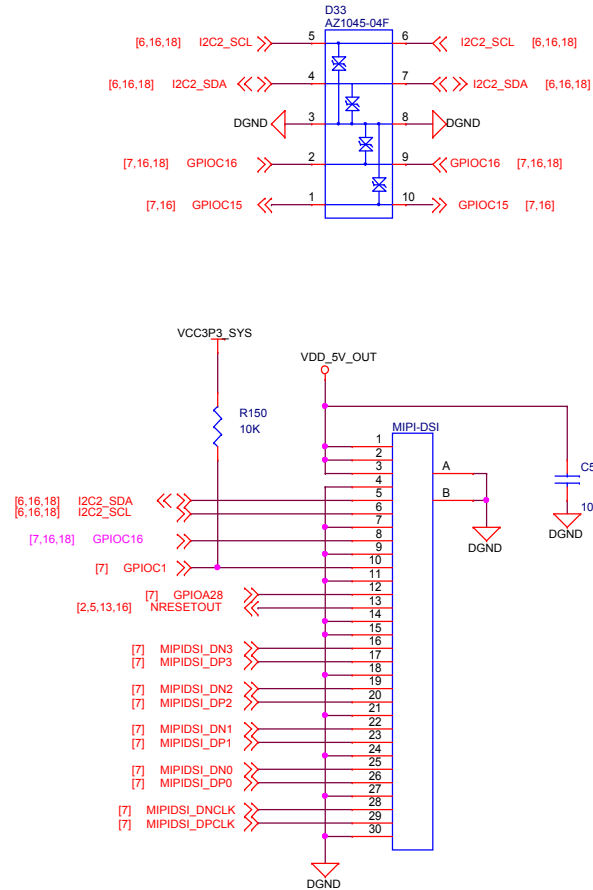
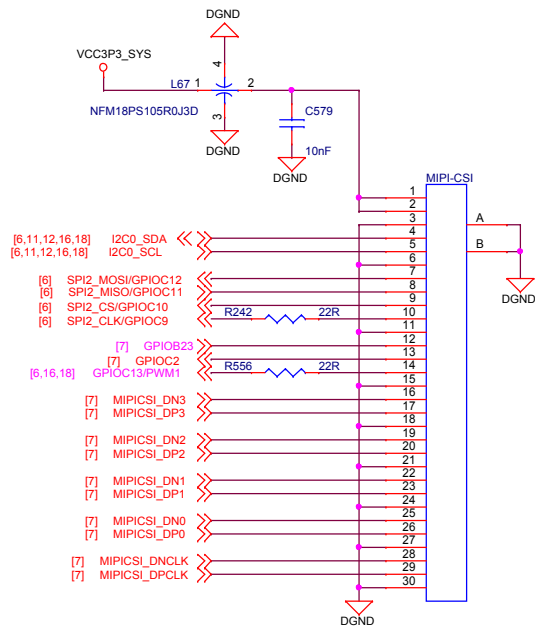


# RGB LCD Interface

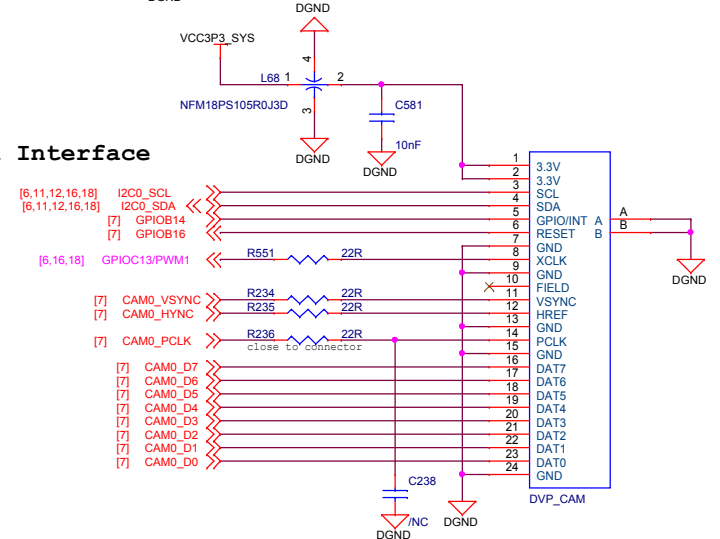
## SDCARD



## MIPI Interface

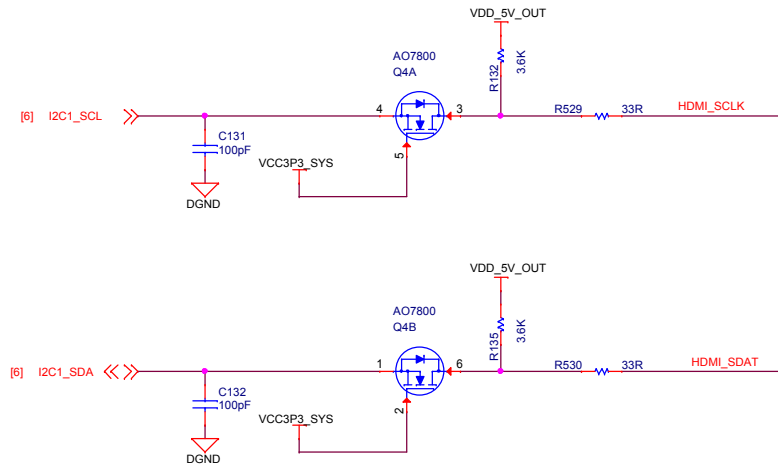
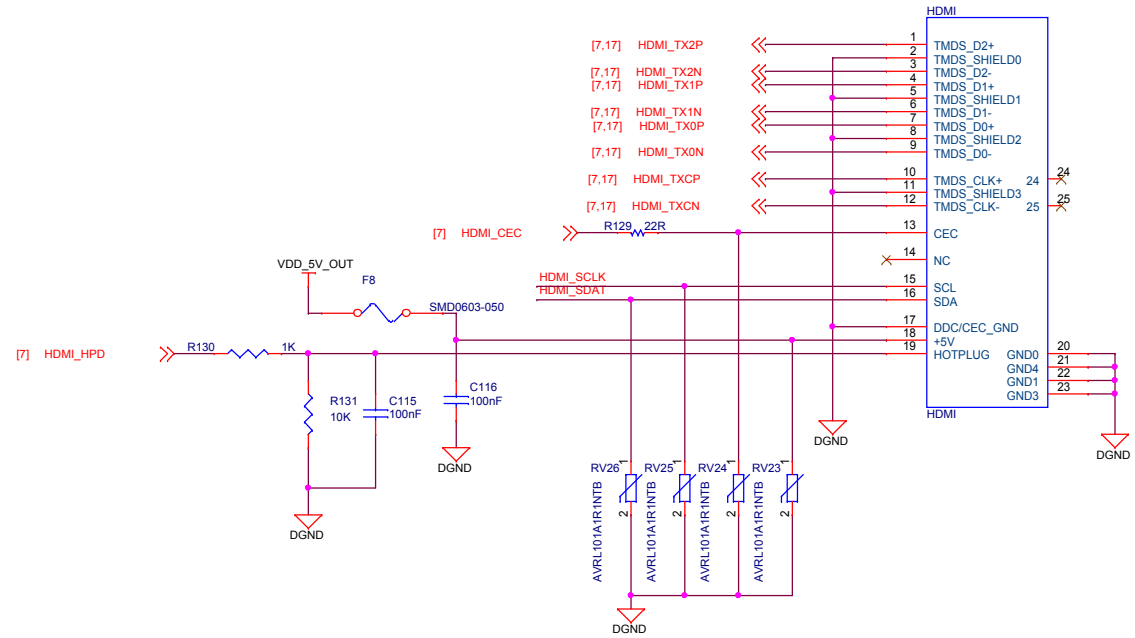
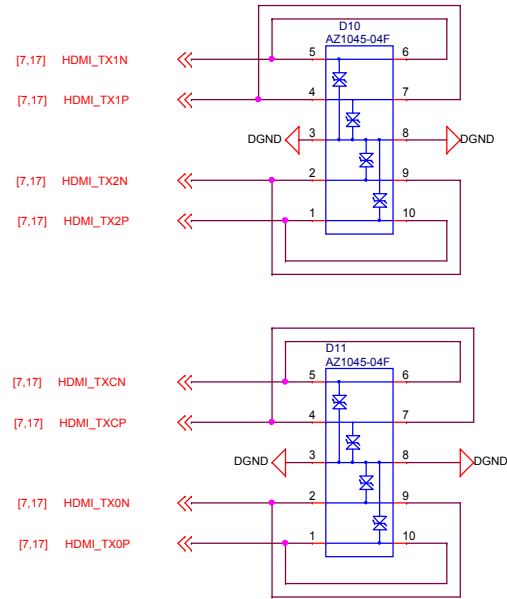


## Camera Interface

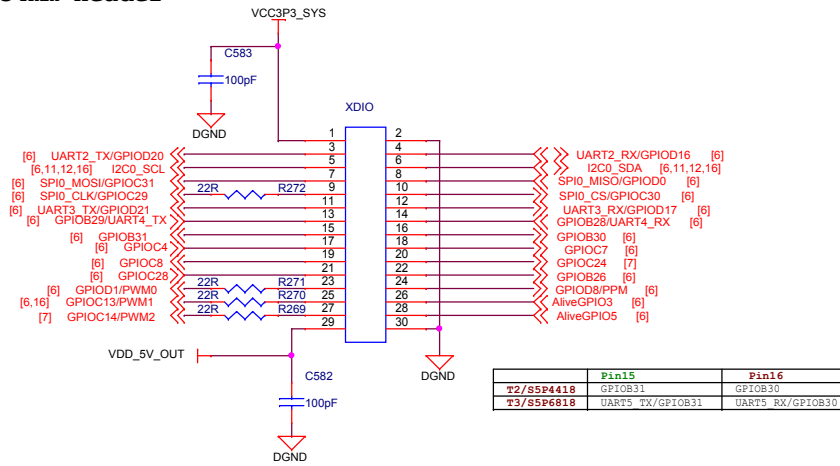




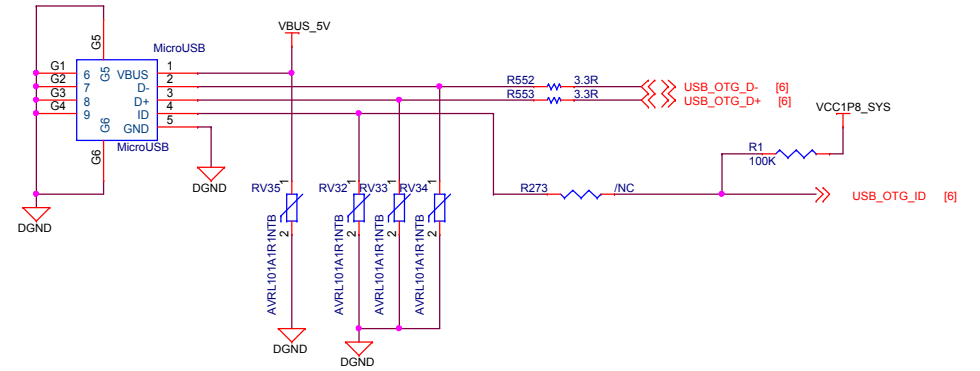
# HDMI



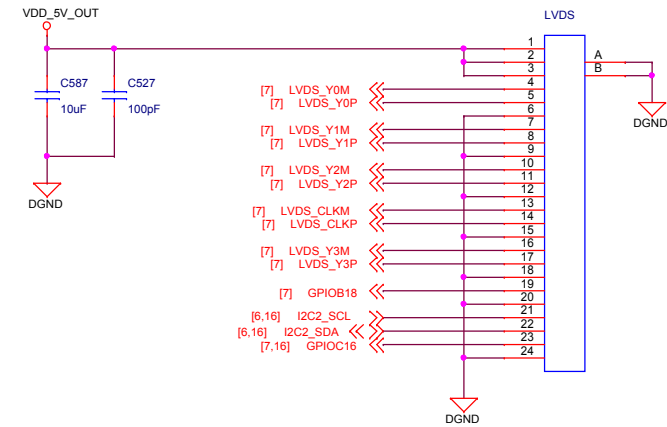
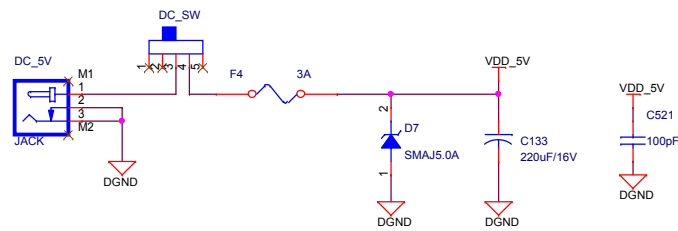
## 2.54mm Header



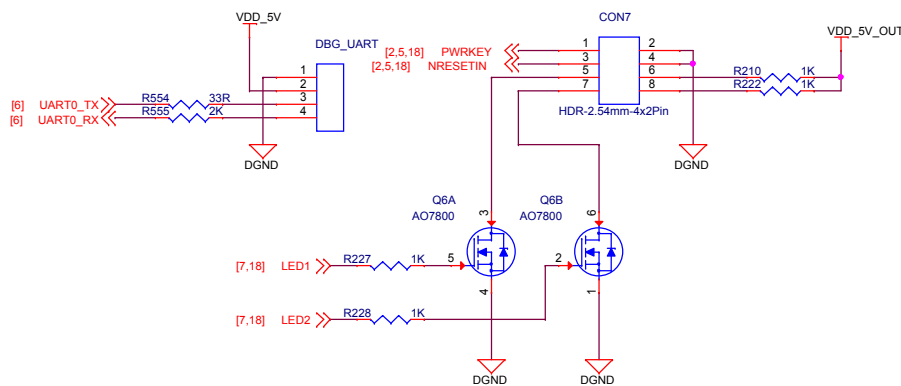
## MicroUSB



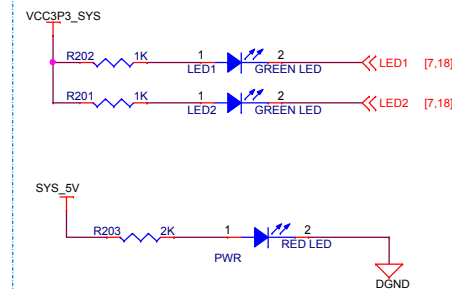
## 5V Power IN



## Debug UART



## LEDs



## Buttons

