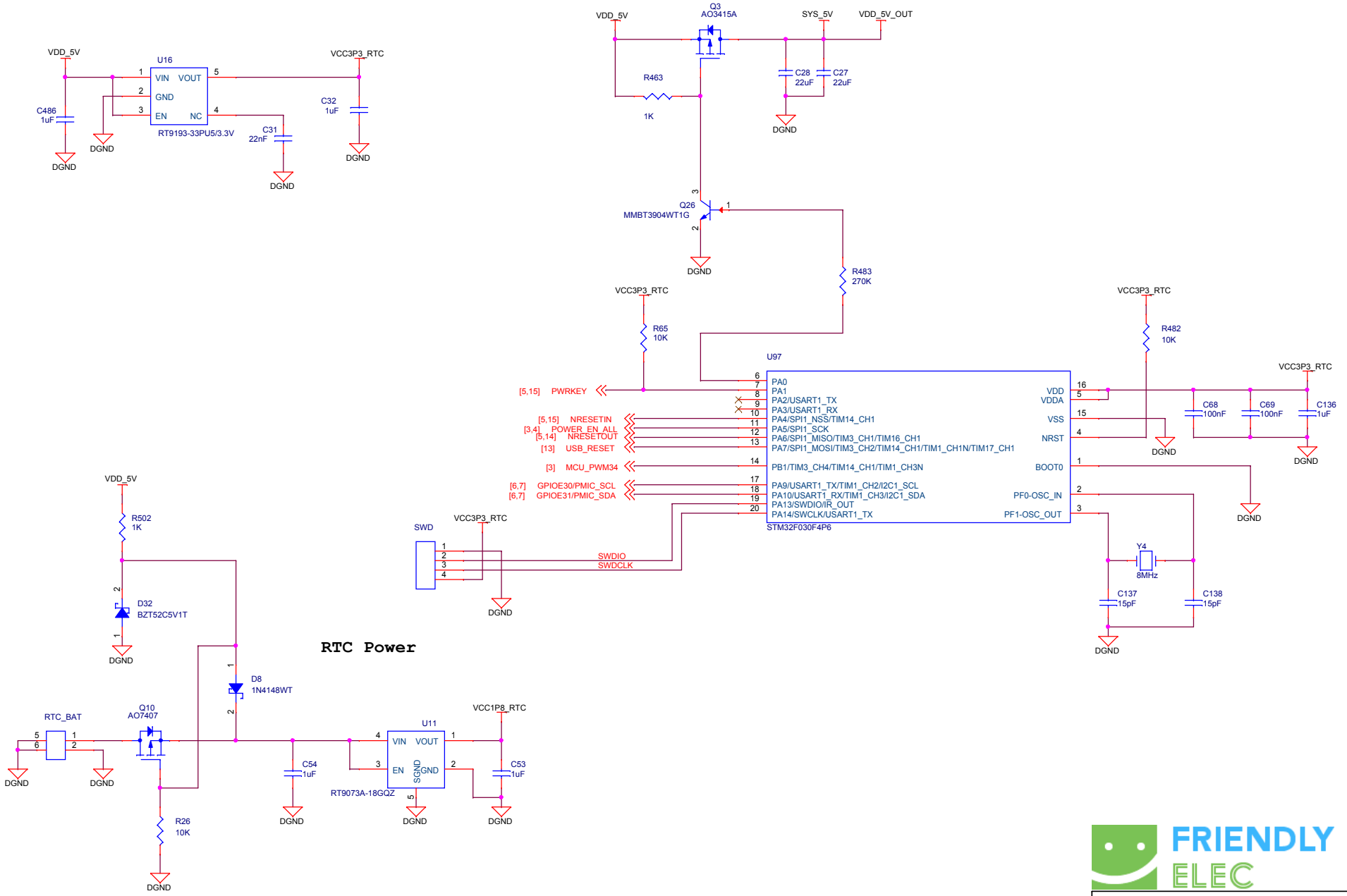


NanoPi M2A/M3

2020/01/13:
R463 -> 1K, R483 -> 270K, R150 -> NC, C168 -> 10K
for SSP4418 R19 -> 100K/1%

FRIENDLYARM

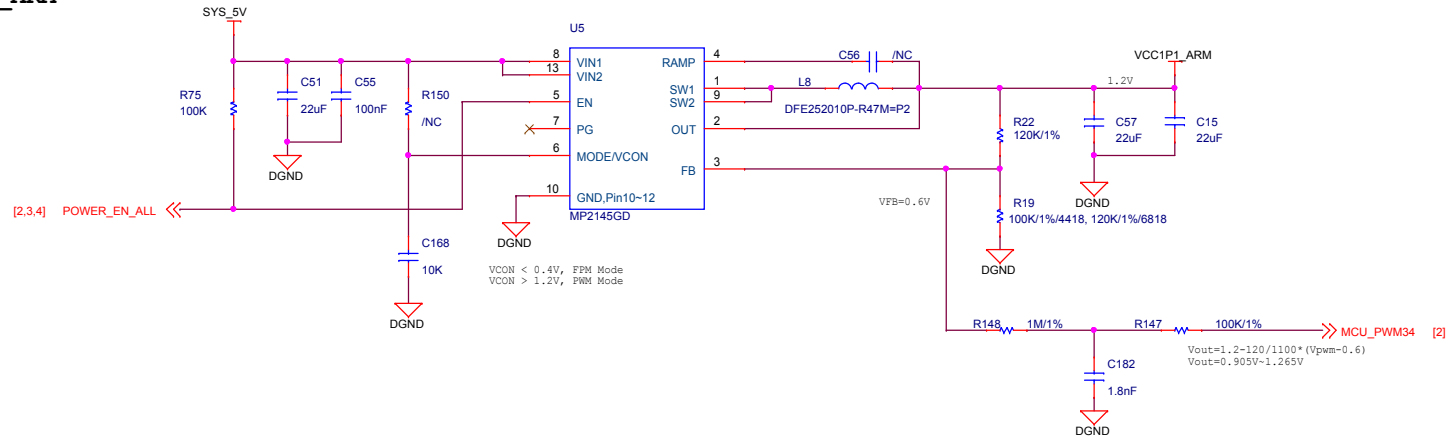
NanoPi M2A/M3		
Size	Document Number	Rev
A3	01.Title	1712
Date:	Monday, January 13, 2020	Sheet 1 of 16



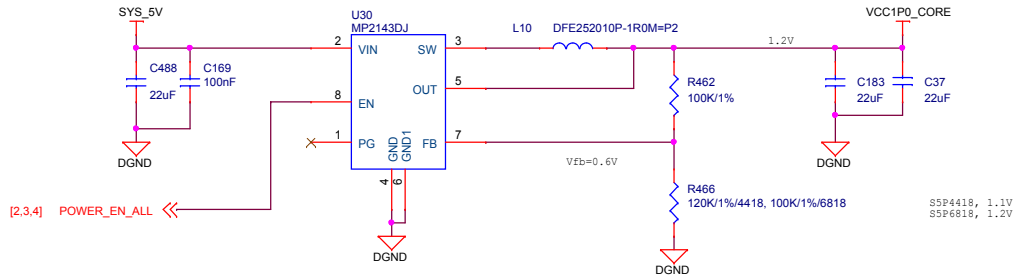
RTC Power

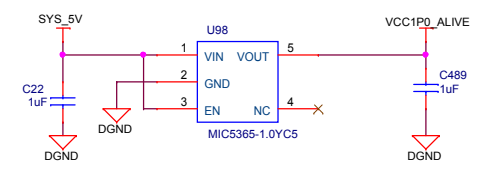
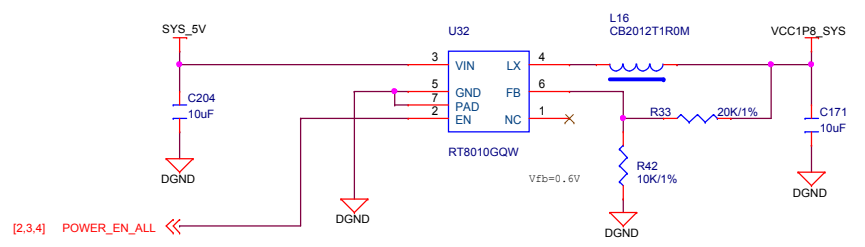
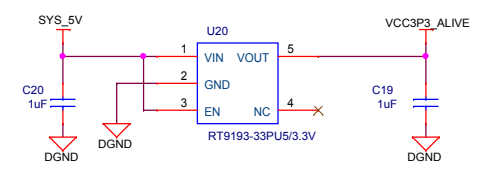
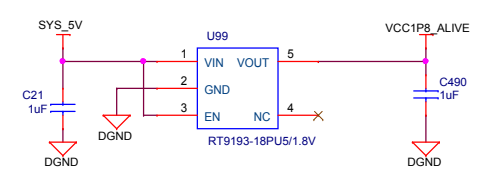
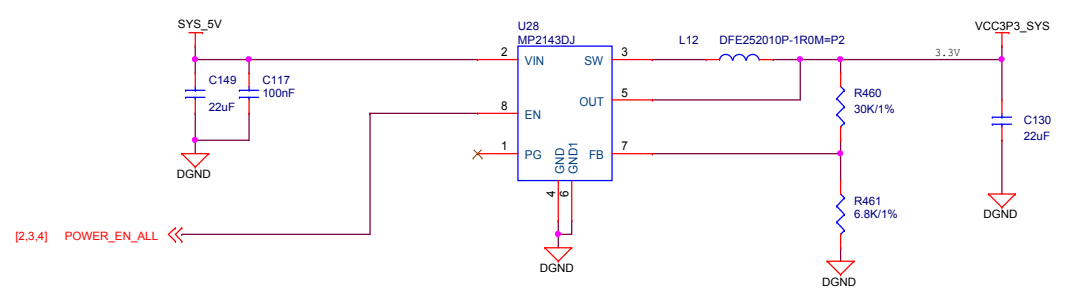
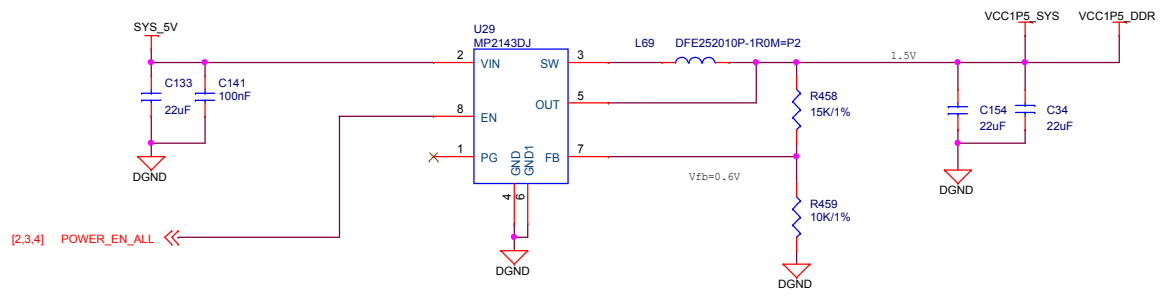


VDD_ARM



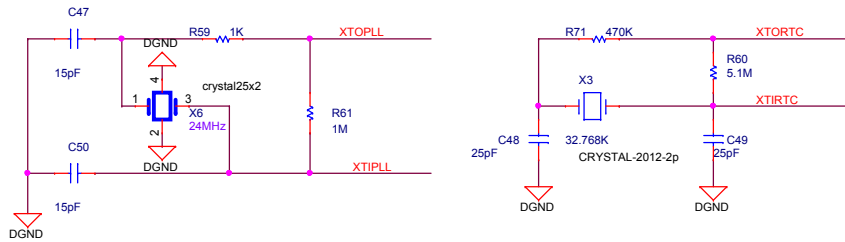
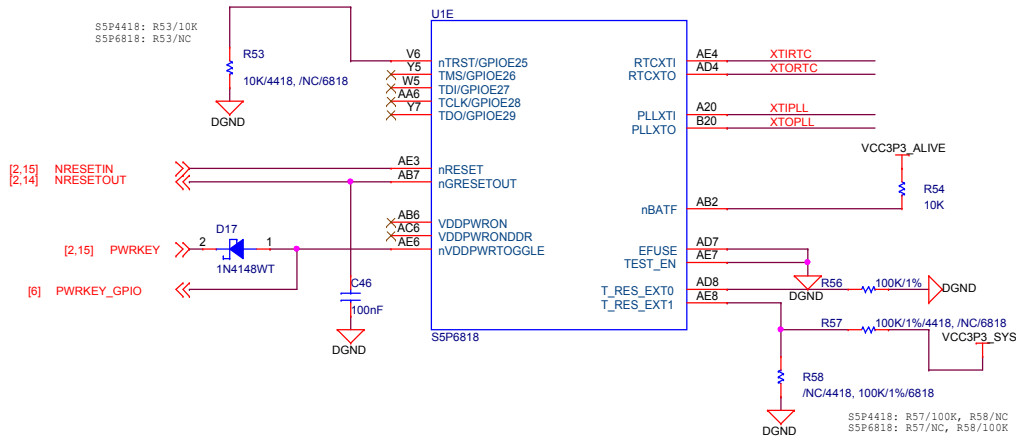
VDD_CORE



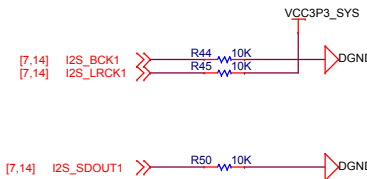
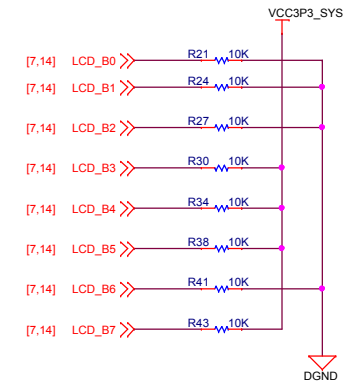


Title		
NanoPi M2A/M3		
Size	Document Number	Rev
A3	<Doc>	1712
Date:	Thursday, July 12, 2018	Sheet 4 of 16

System Reset, Clocks



Boot Mode Config



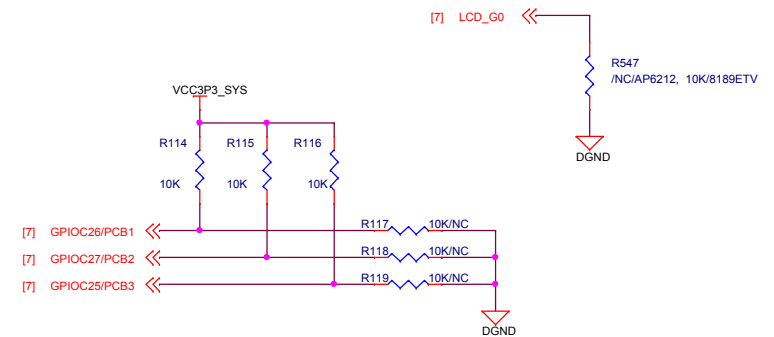
BOOT MODE OPTION

	eMMC	SPI	USB	NAND
SD0	HIGH	LOW	LOW	HIGH
SD1	LOW	LOW	HIGH	HIGH
SD2	HIGH	HIGH	HIGH	HIGH
SD4	LOW	HIGH		
SD5	LOW	LOW		

Boot media port select (SPI, eMMC)

	CH0	CH1	CH2
SD3	LOW	HIGH	LOW
CAM1_D3	LOW	LOW	HIGH

PCB Version

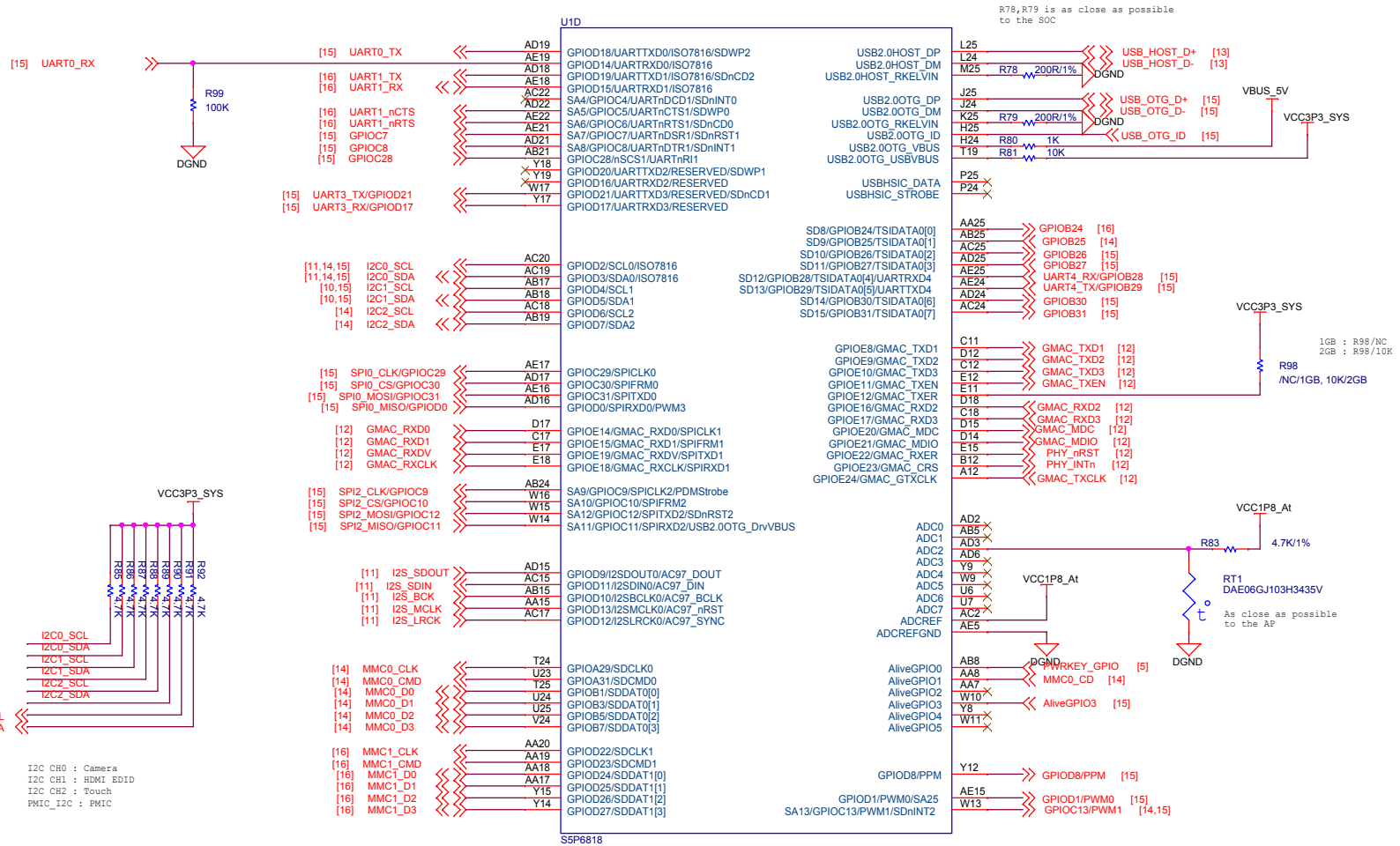


FRIENDLYARM

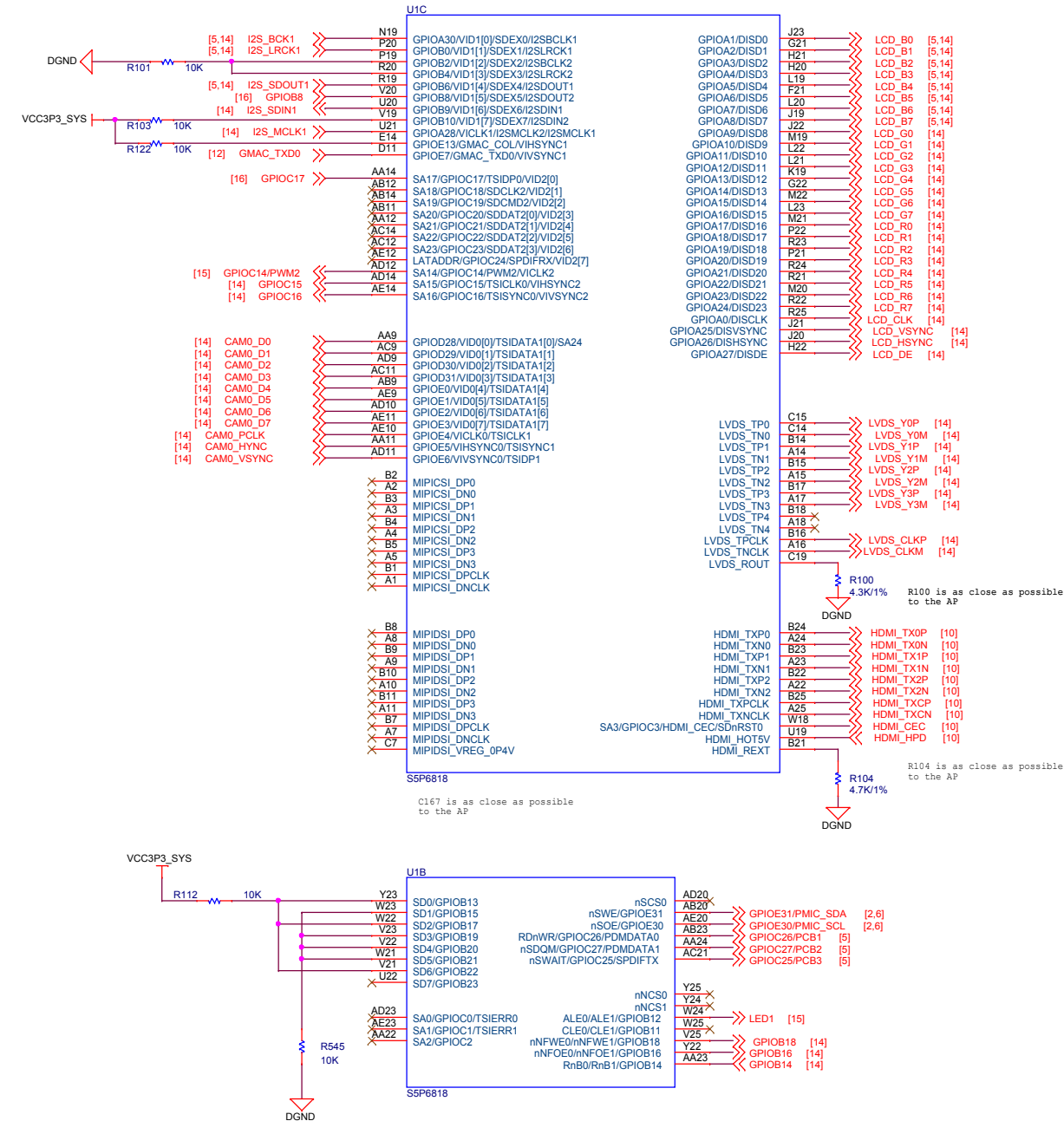
NanoPi M2A/M3

Size A3	Document Number 03.AP System Control	Rev 1712
Date: Thursday, July 12, 2018	Sheet 5 of 16	

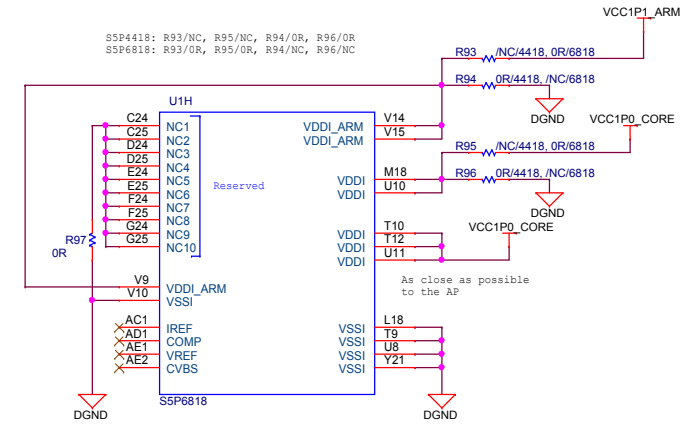
AP Peripherals



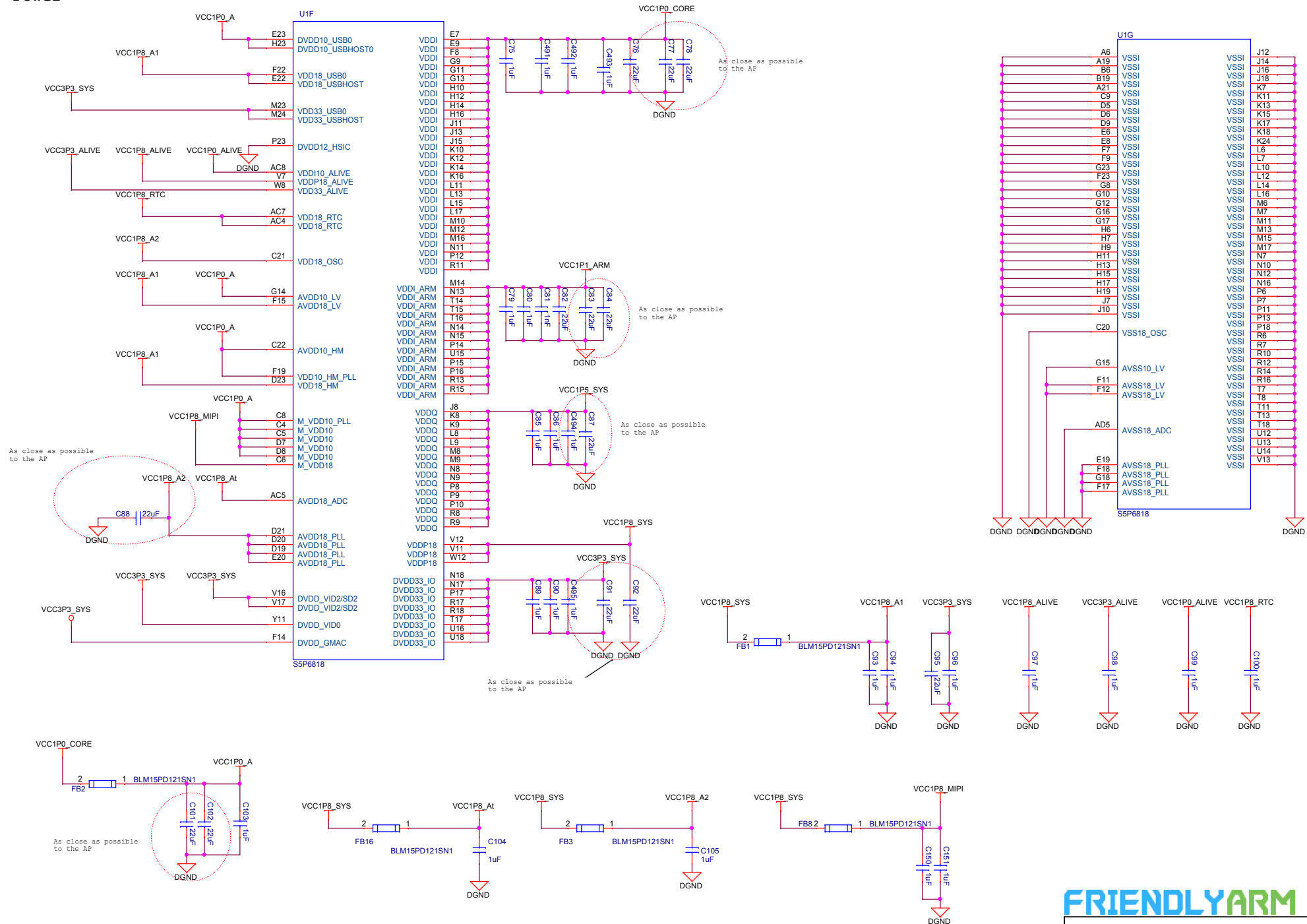
AP VIP&Display



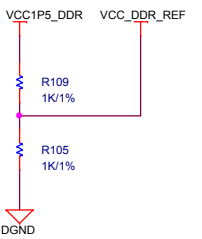
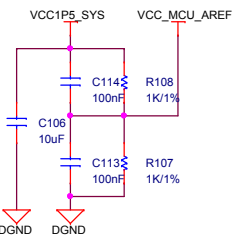
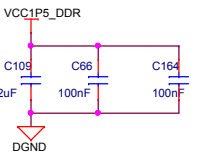
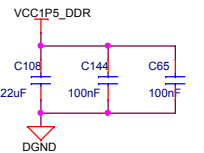
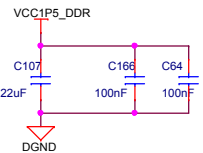
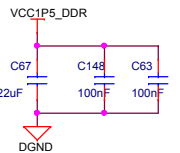
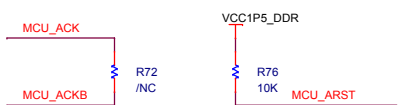
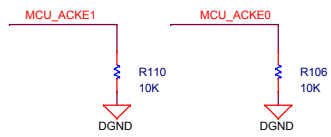
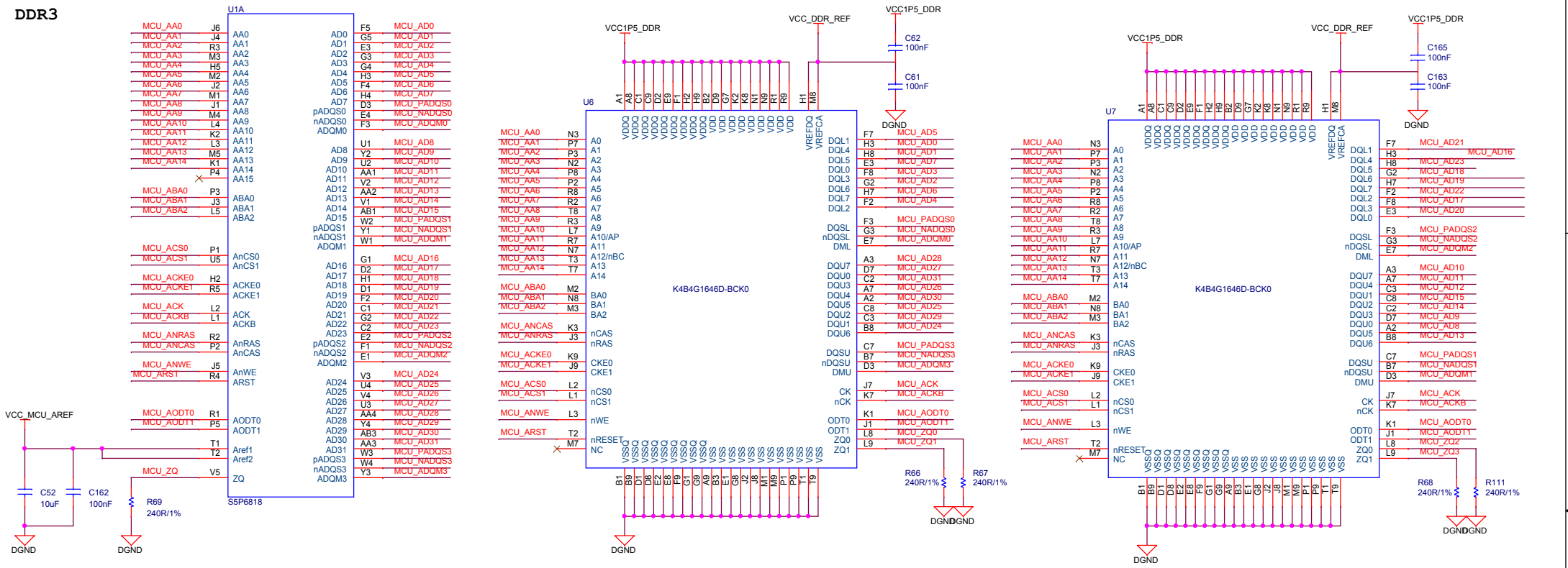
Reserved Function



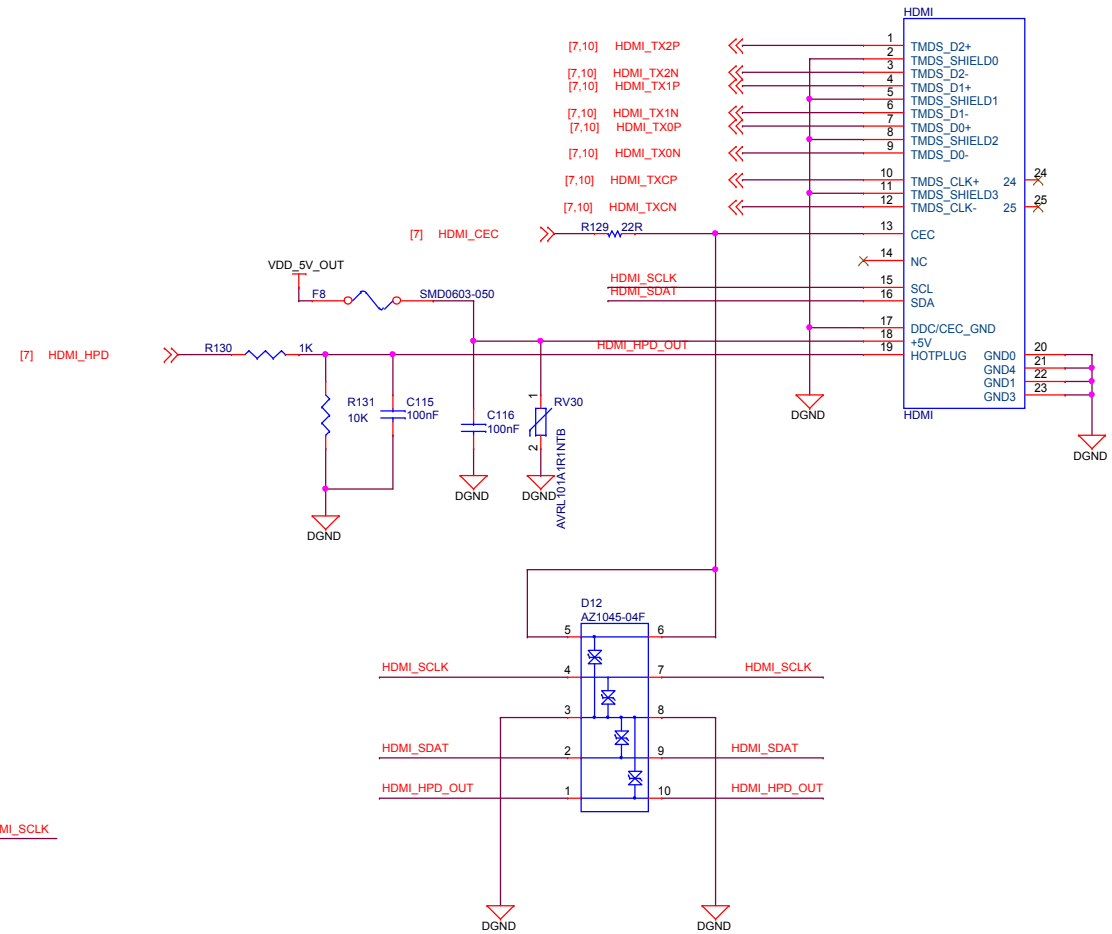
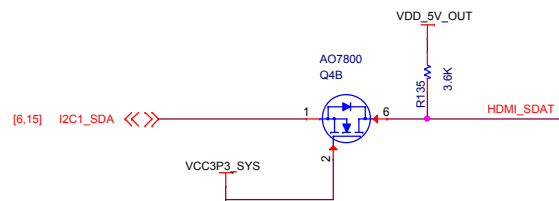
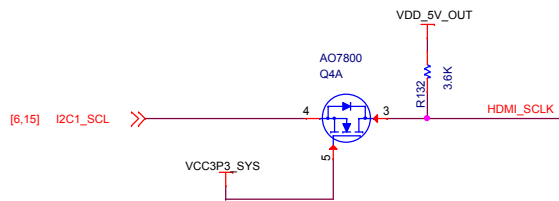
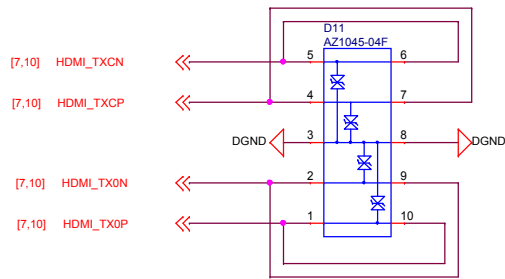
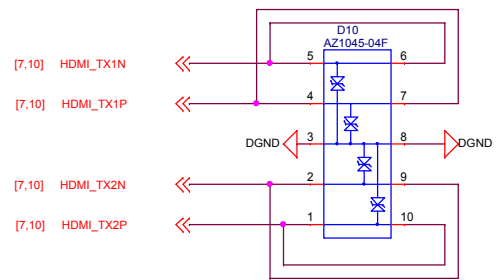
AP Power



DDR3



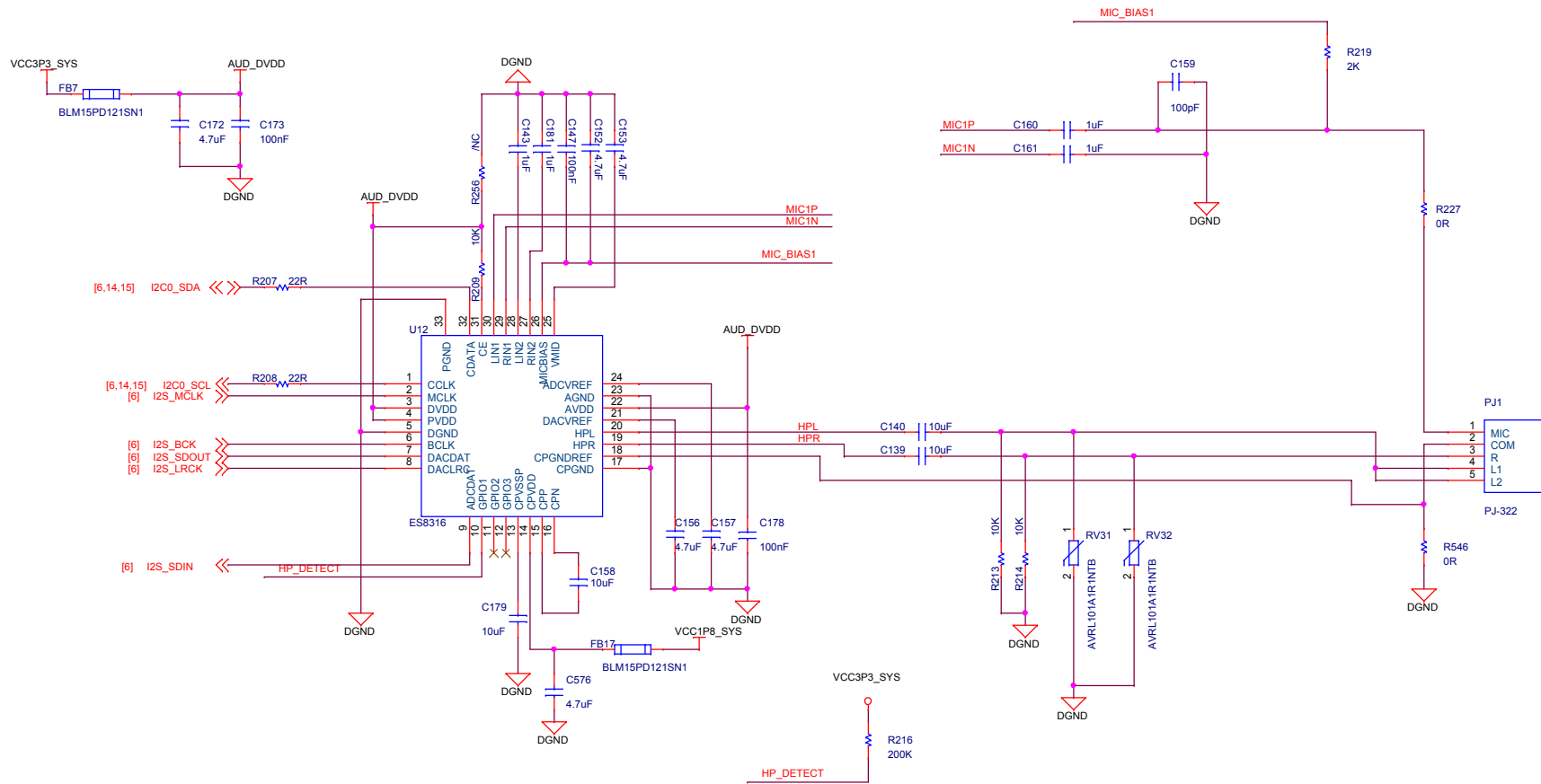
HDMI



FRIENDLYARM

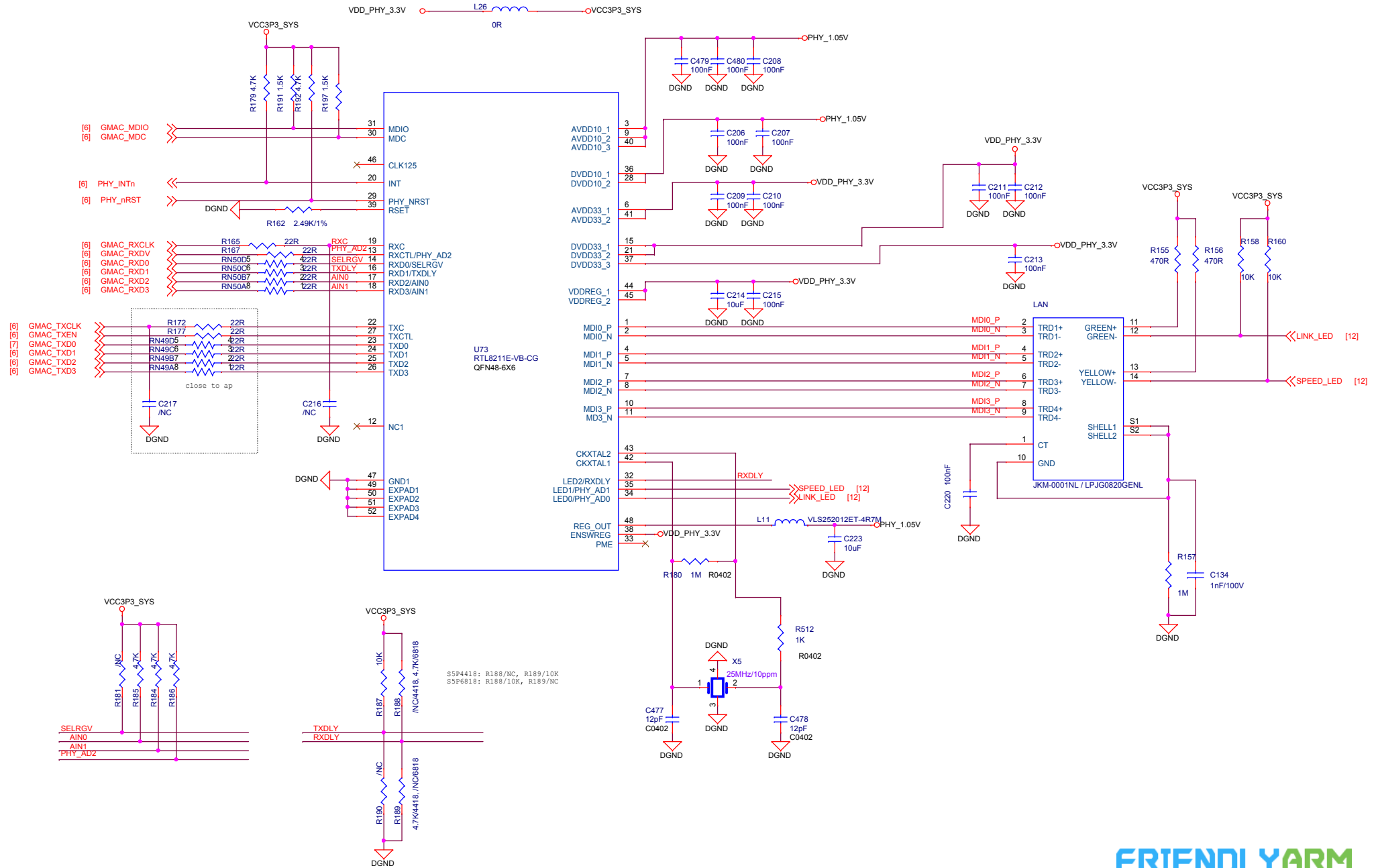
NanoPi M2A/M3		
Size A3	Document Number 09.HDMI	Rev 1712
Date: Thursday, July 12, 2018	Sheet 10	of 16

Audio



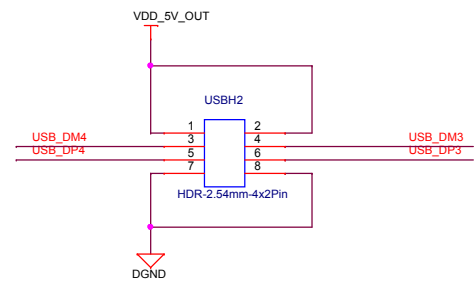
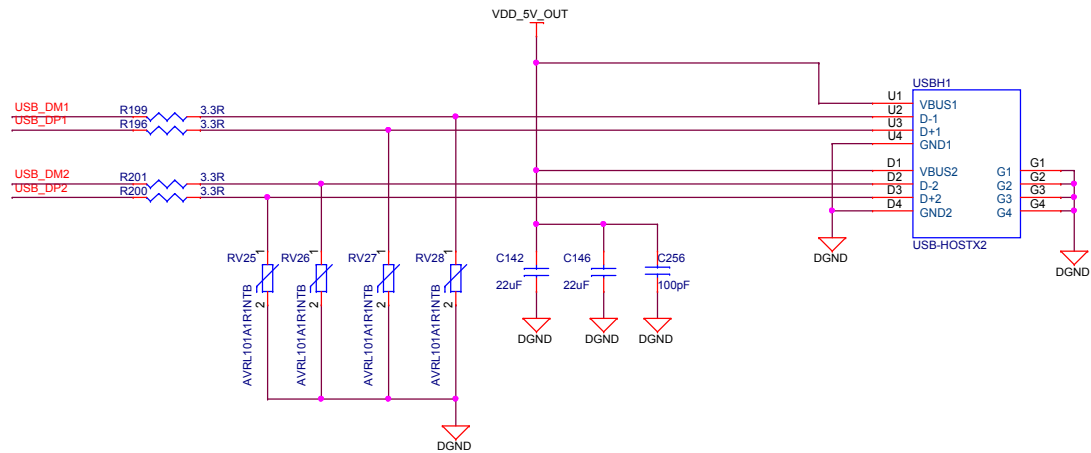
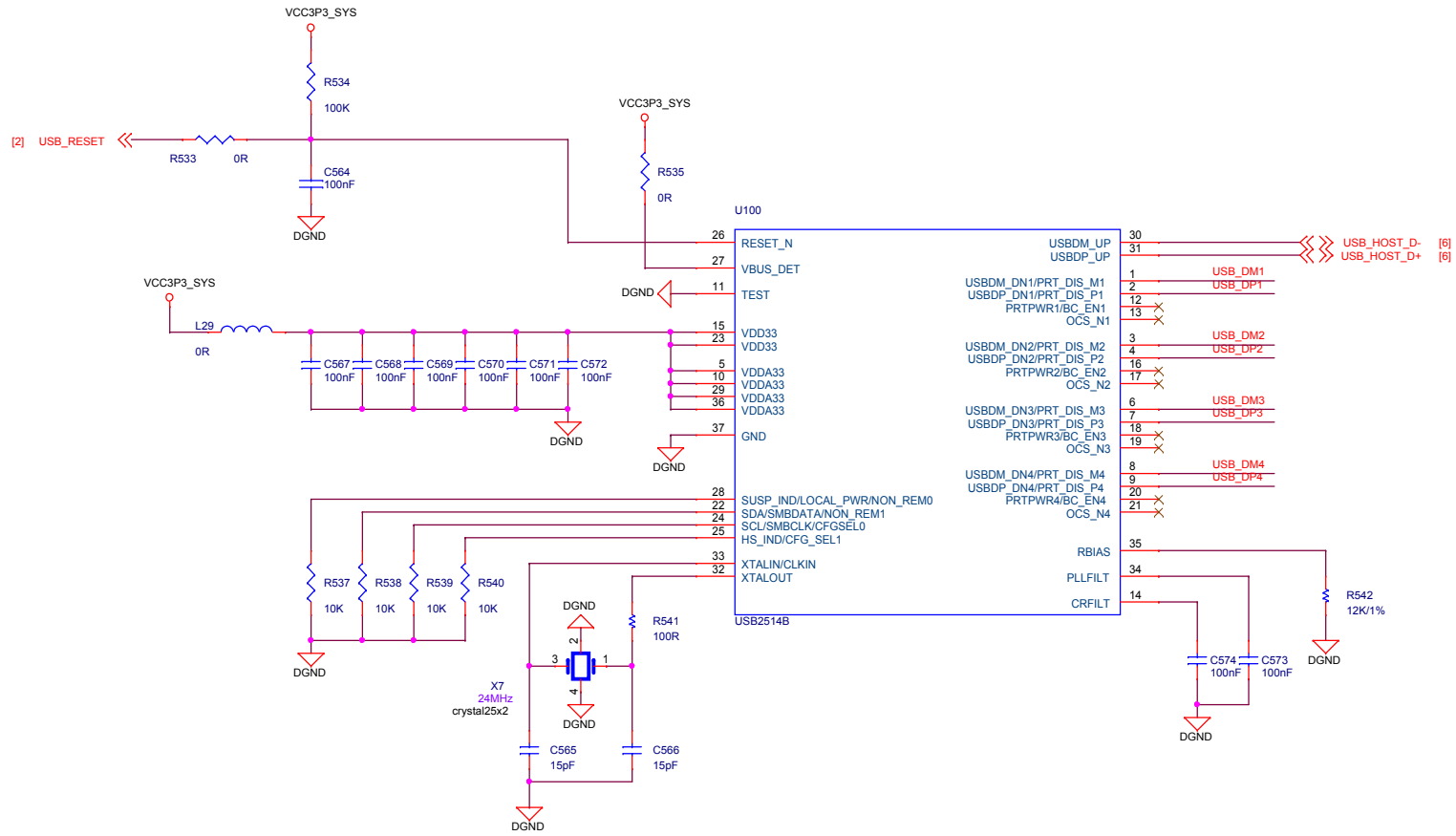
NanoPi M2A/M3		
Size A3	Document Number 12.Audio	Rev 1712
Date: Thursday, July 12, 2018	Sheet 11 of 16	

10/100/1000M Ethernet

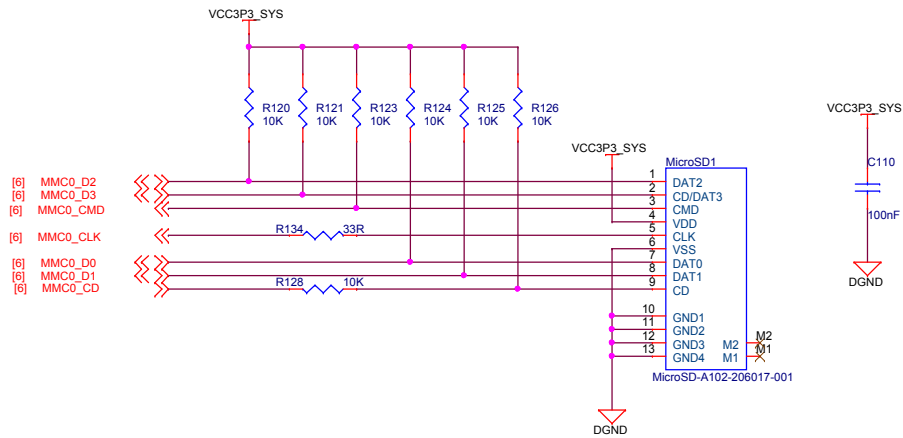


NanoPi M2A/M3		
Size A3	Document Number 14.LAN	Rev 1712
Date: Thursday, July 12, 2018	Sheet 12	of 16

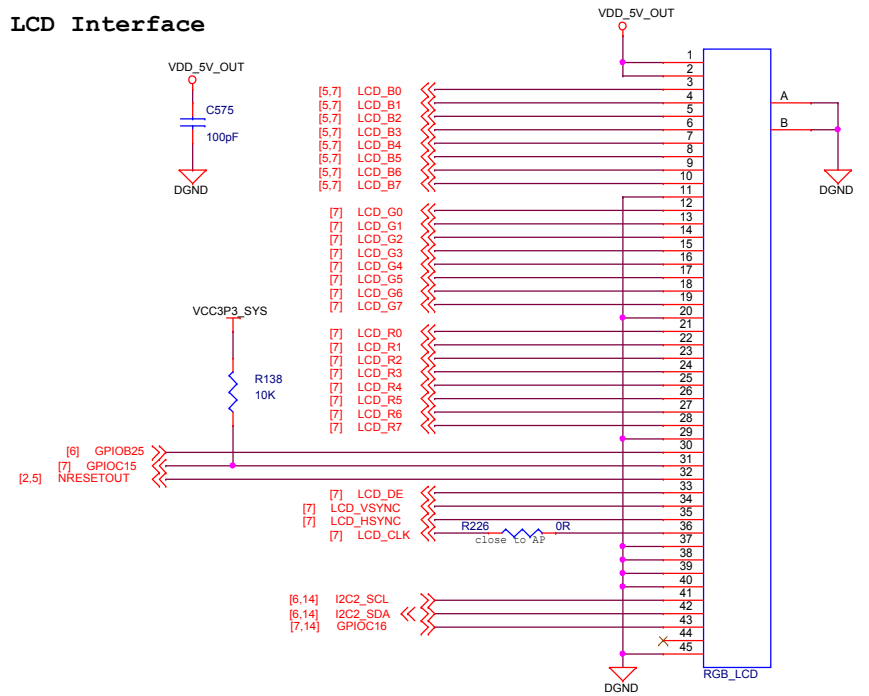
USB 2.0 Host



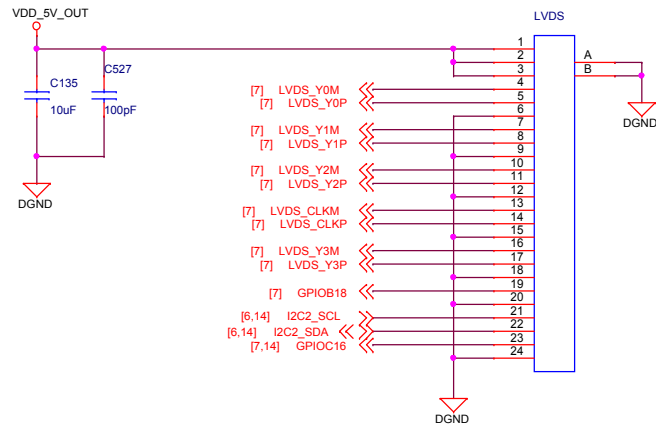
SDCARD



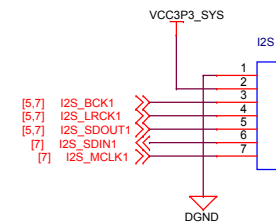
RGB LCD Interface



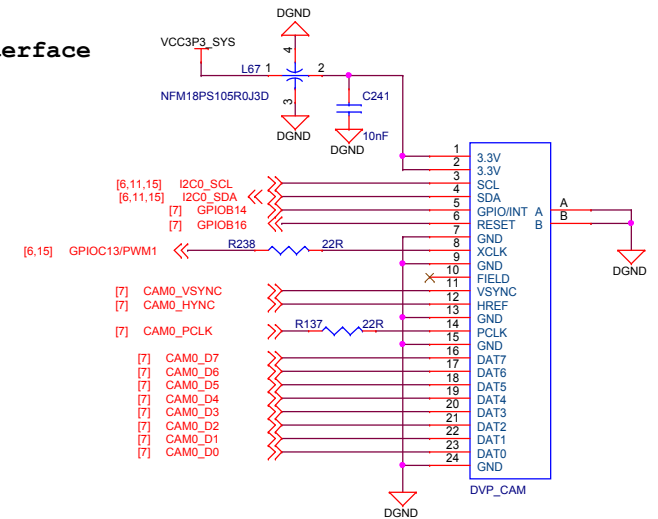
LVDS



I2S Interface



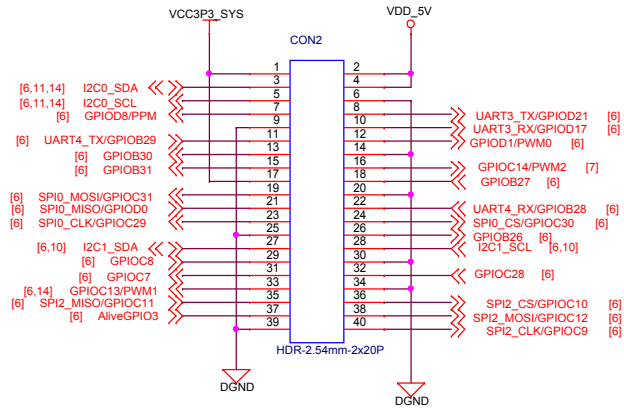
Camera Interface



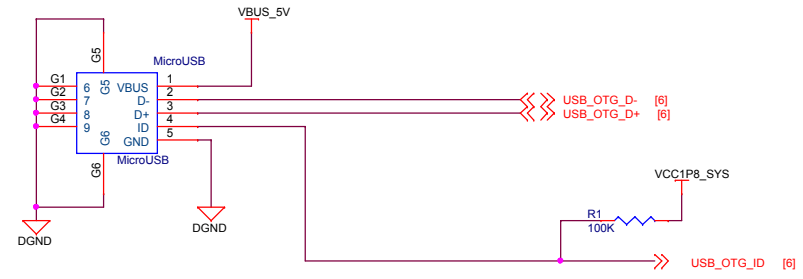
FRIENDLYARM

NanoPi M2A/M3		
Size	Document Number	Rev
A3	10.MicroSD, RGB-LCD&Camera	1712
Date:	Thursday, July 12, 2018	Sheet 14 of 16

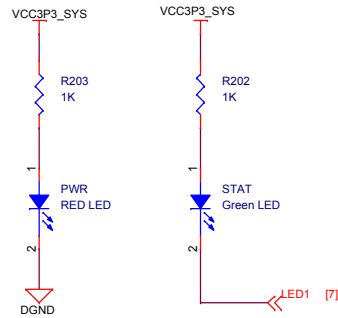
2.54mm Header



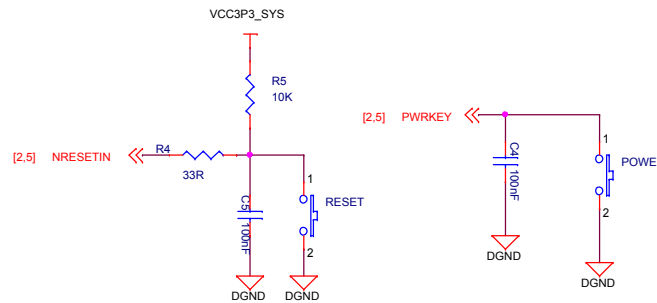
MicroUSB



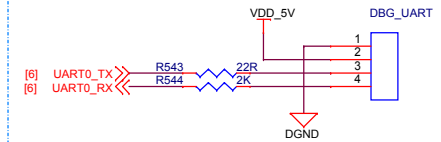
LEDs



Buttons



Debug UART



FRIENDLYARM

Wi-Fi/Bluetooth

