

# NanoPi NEO

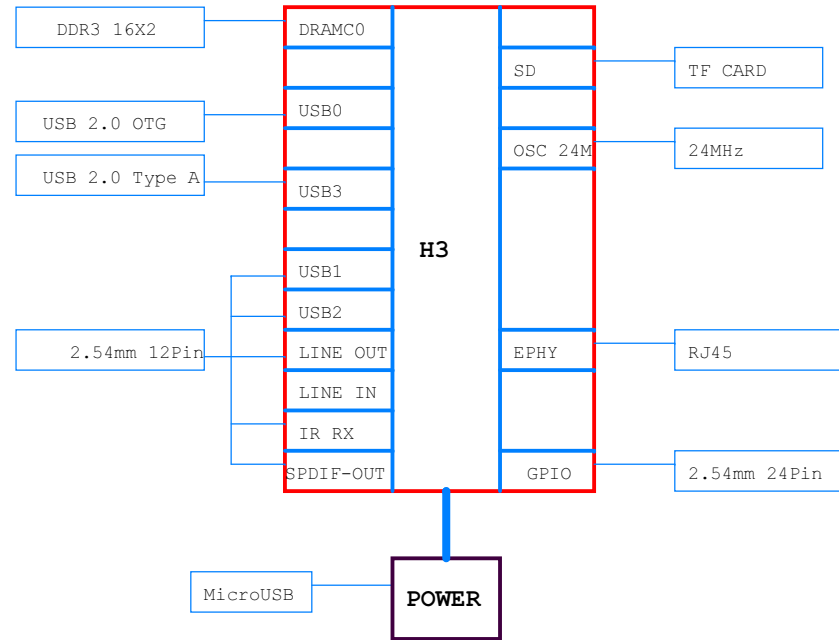
Revision

1606 , First Release

**FRIENDLYARM**

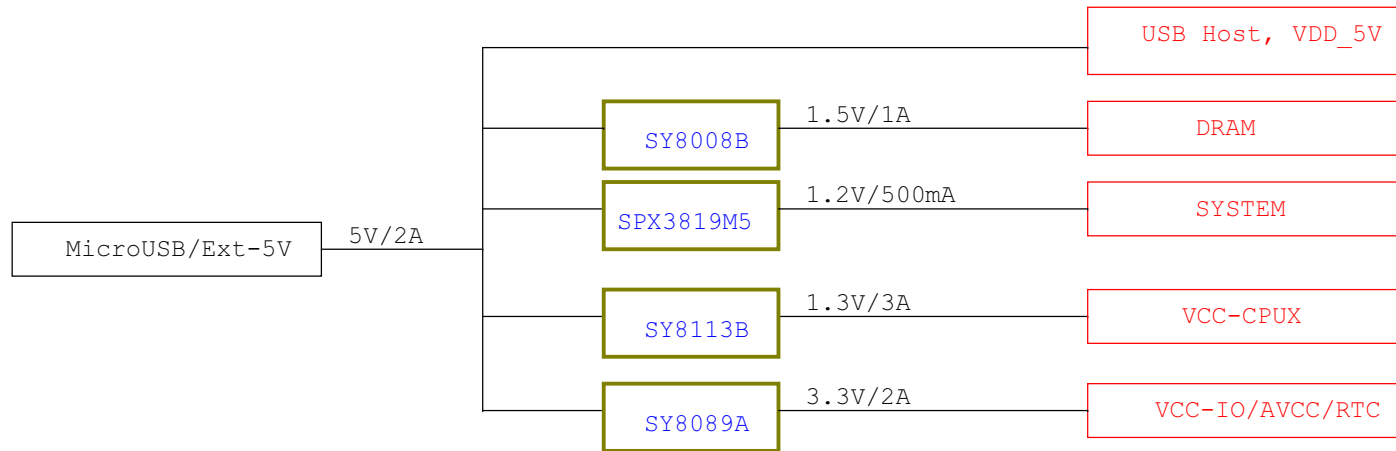
|            |                             |               |
|------------|-----------------------------|---------------|
| NanoPi NEO |                             |               |
| Size<br>A3 | Document Number<br>01:Title | Rev<br>1606   |
| Date:      | Tuesday, July 05, 2016      | Sheet 1 of 11 |

# BLOCK



FRIENDLYARM

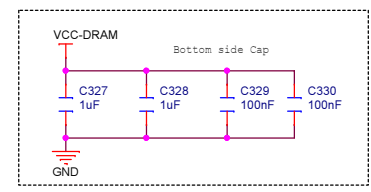
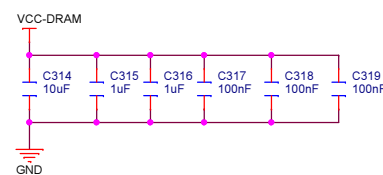
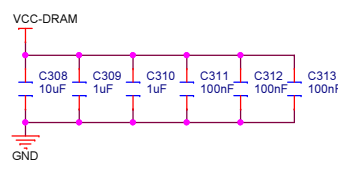
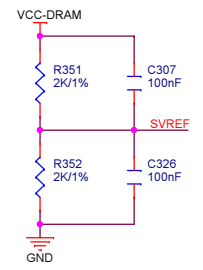
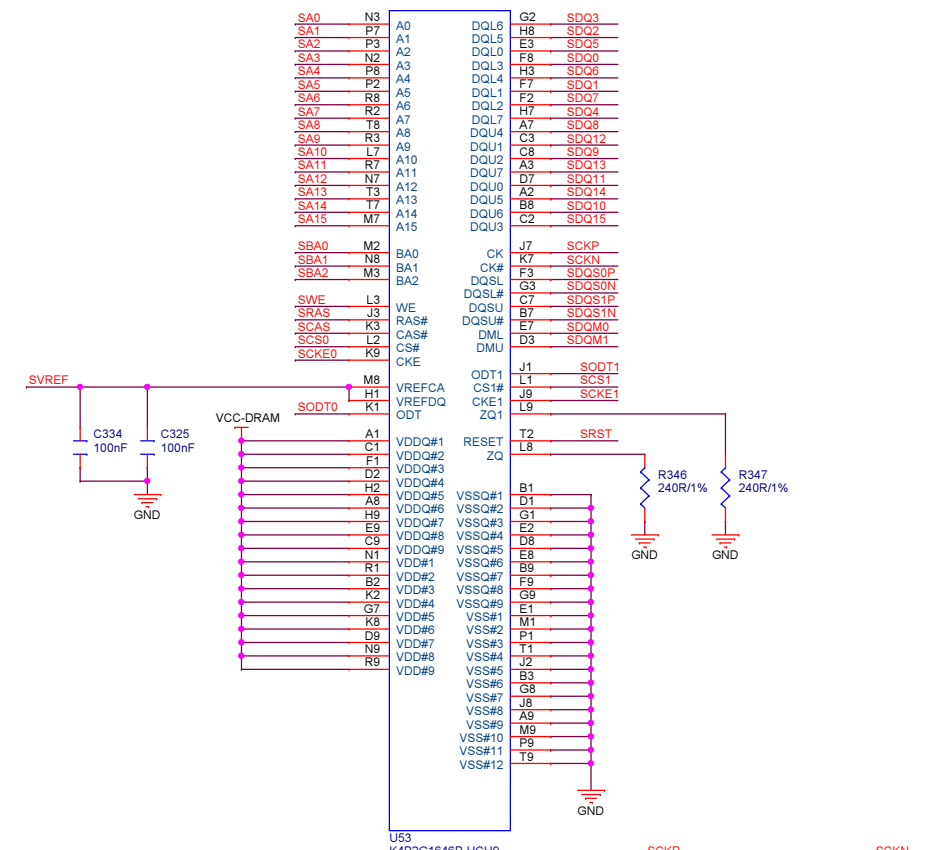
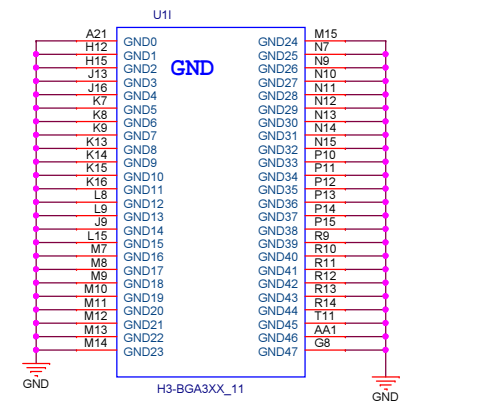
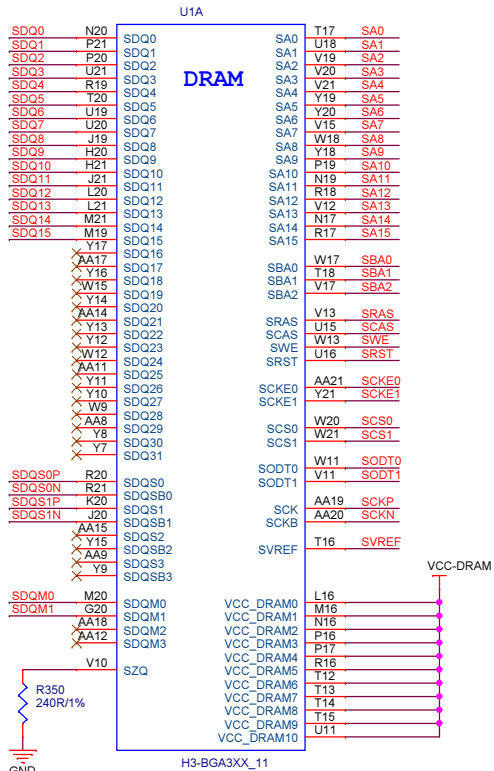
# POWER TREE



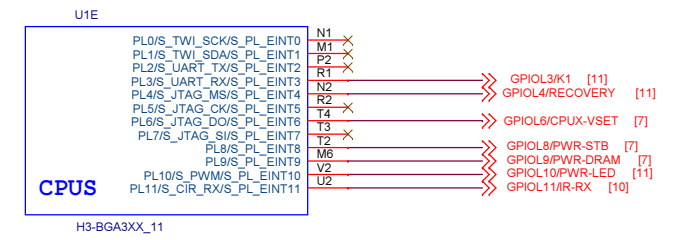
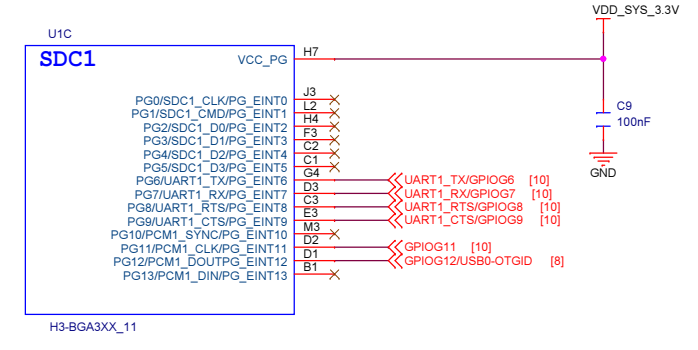
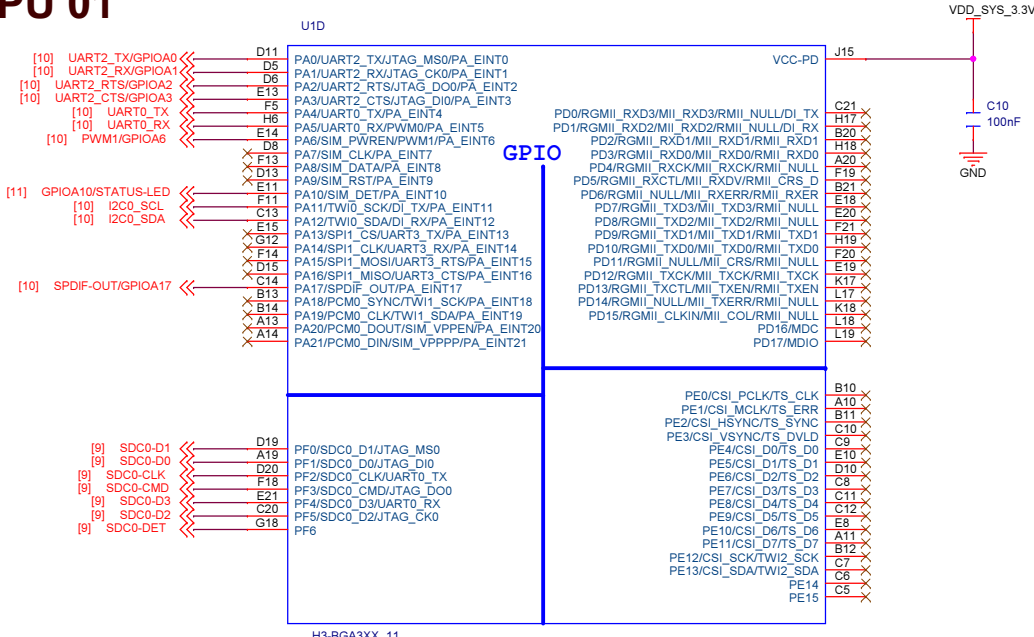
**FRIENDLYARM**

|            |                                  |               |
|------------|----------------------------------|---------------|
| NanoPi NEO |                                  |               |
| Size<br>A3 | Document Number<br>03:Power Tree | Rev<br>1606   |
| Date:      | Tuesday, July 05, 2016           | Sheet 3 of 11 |

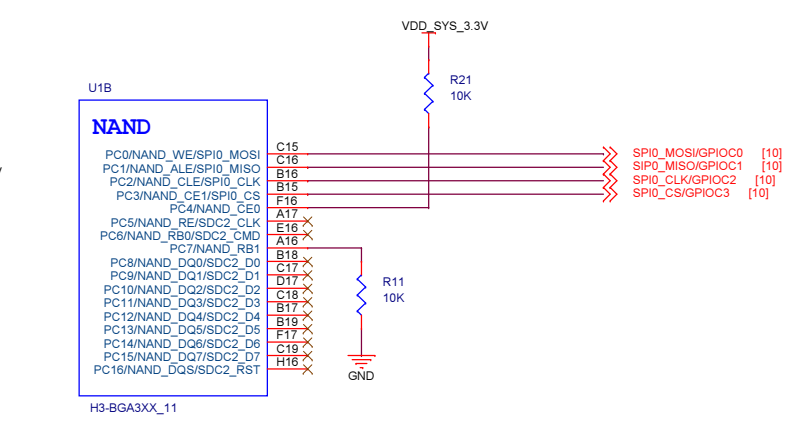
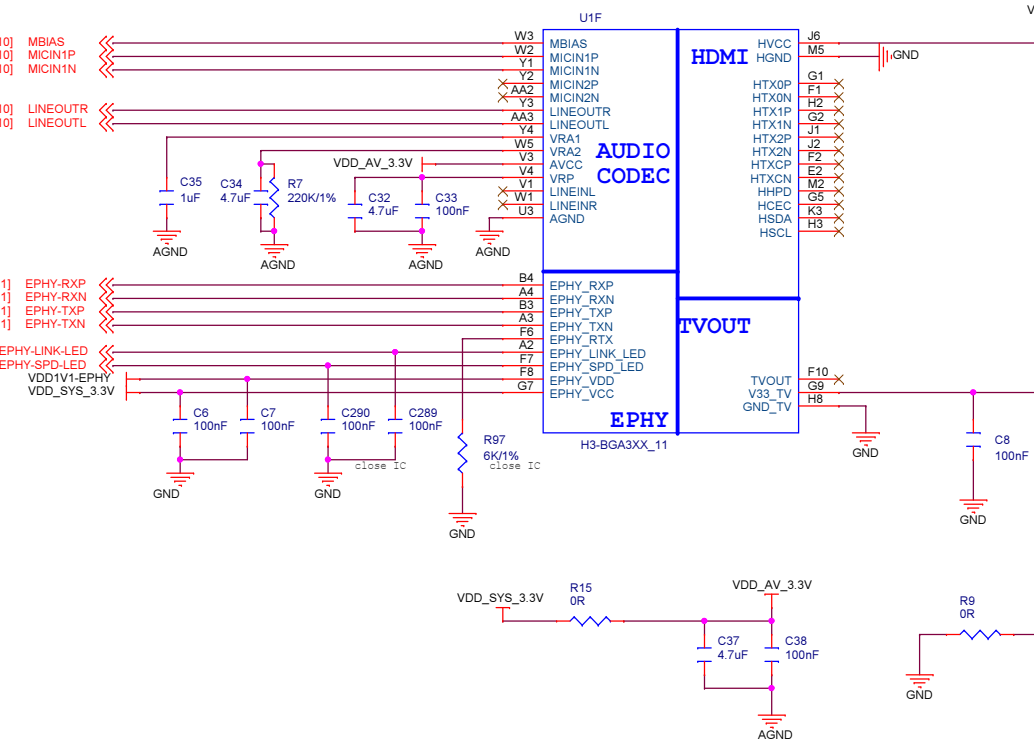
# DDR3 16x1



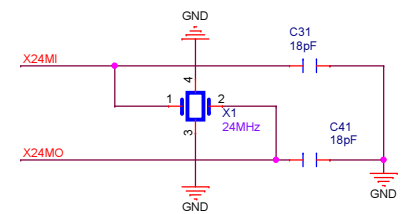
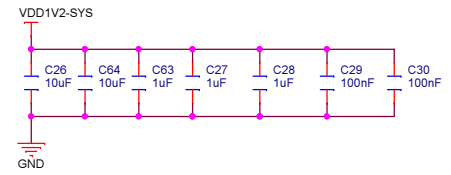
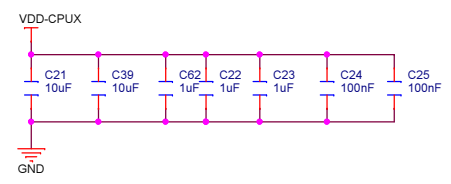
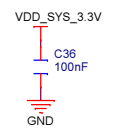
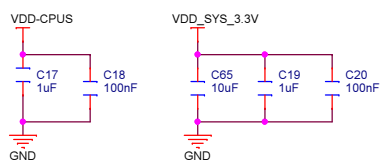
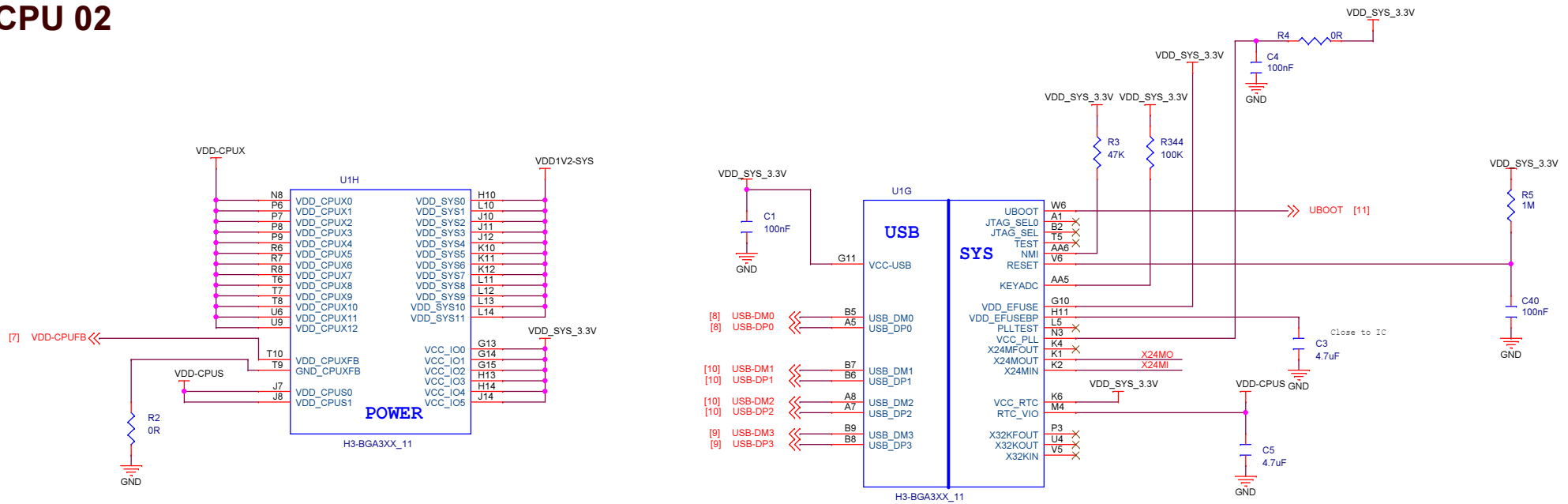
# CPU 01



|          | PWRON/WORX | STANDBY | PWROFF |
|----------|------------|---------|--------|
| PWR-STB  | 1          | 0       | 0      |
| PWR-DRAM | 1          | 1       | 0      |

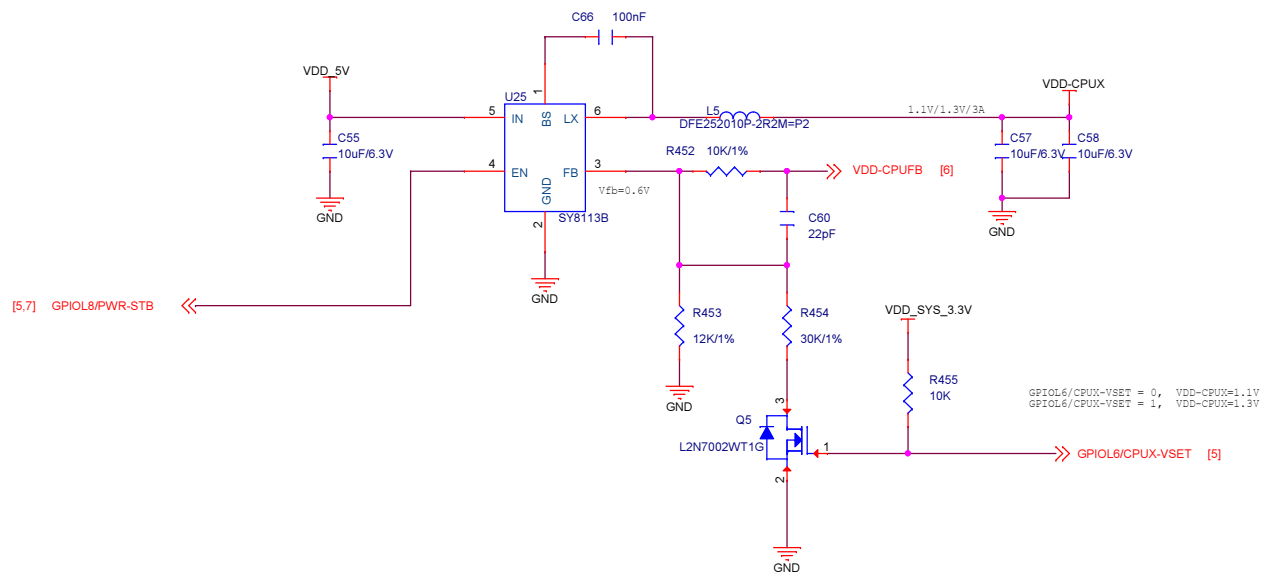
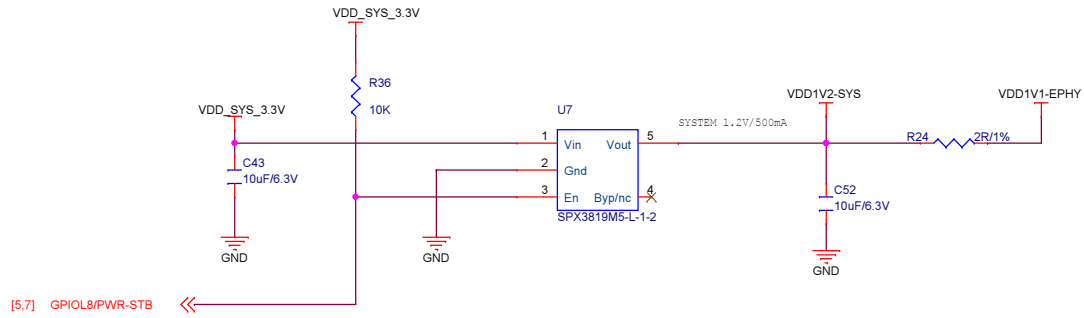
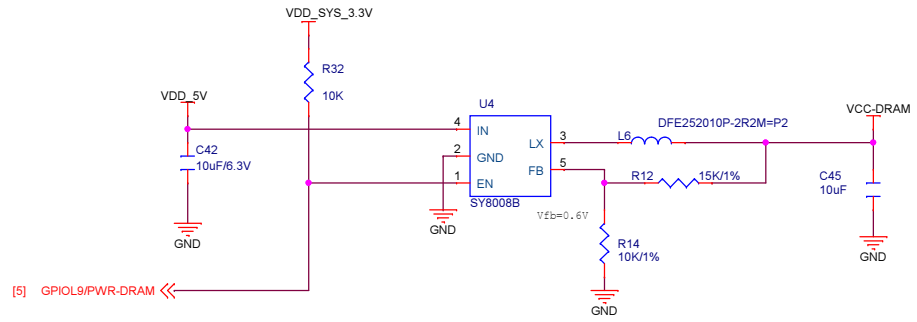


# CPU 02



|                              |                              |          |
|------------------------------|------------------------------|----------|
| NanoPi NEO                   |                              |          |
| Size A3                      | Document Number 06:CPU-H3-02 | Rev 1606 |
| Date: Tuesday, July 05, 2016 | Sheet 6                      | of 11    |

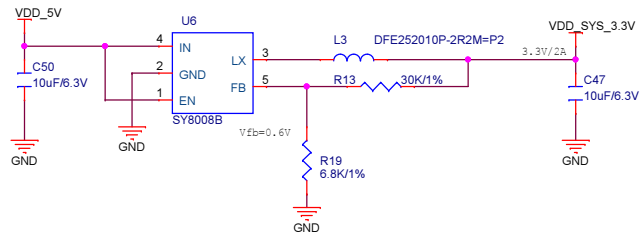
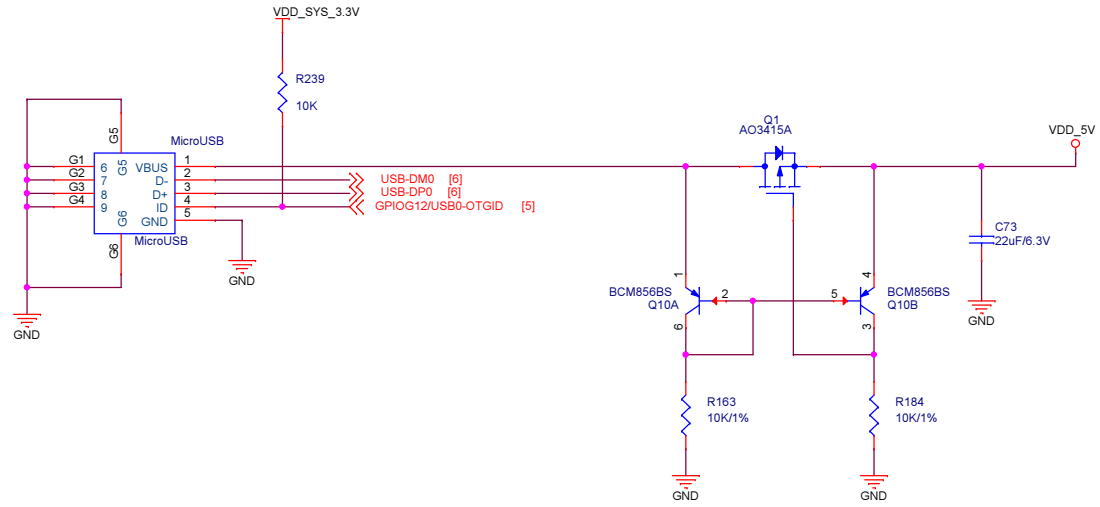
# POWER 01



**FRIENDLYARM**

|                              |                             |          |
|------------------------------|-----------------------------|----------|
| NanoPi NEO                   |                             |          |
| Size A3                      | Document Number 07:Power-01 | Rev 1606 |
| Date: Tuesday, July 05, 2016 | Sheet 7 of 11               |          |

# POWER 02

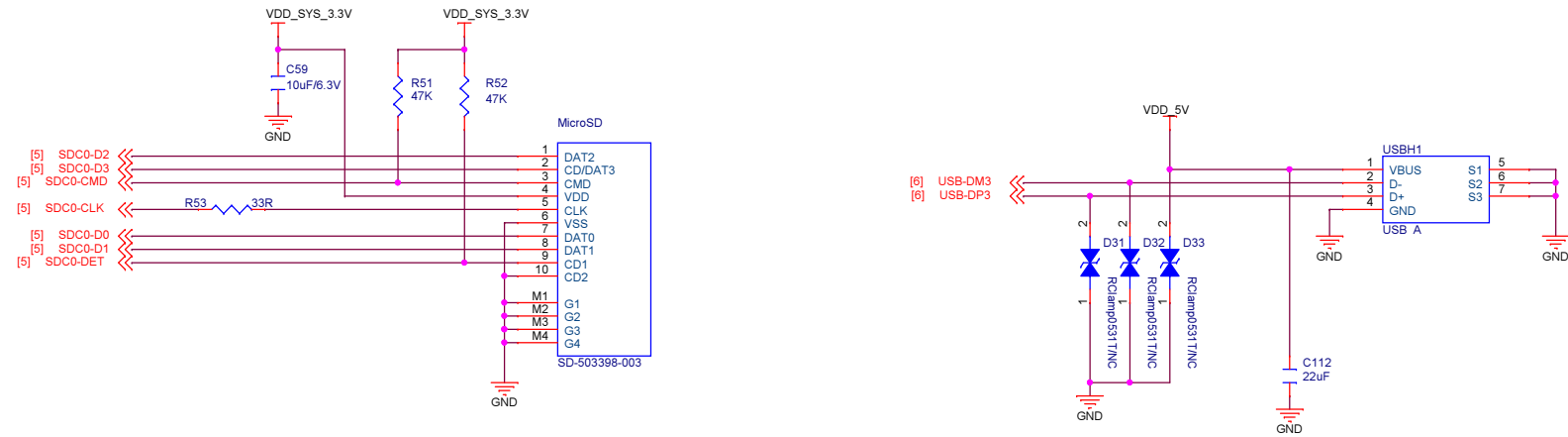


**FRIENDLYARM**

|                                 |                                |             |
|---------------------------------|--------------------------------|-------------|
| NanoPi NEO                      |                                |             |
| Size<br>A3                      | Document Number<br>08:Power-02 | Rev<br>1606 |
| Date:<br>Tuesday, July 05, 2016 | Sheet<br>8                     | of<br>11    |



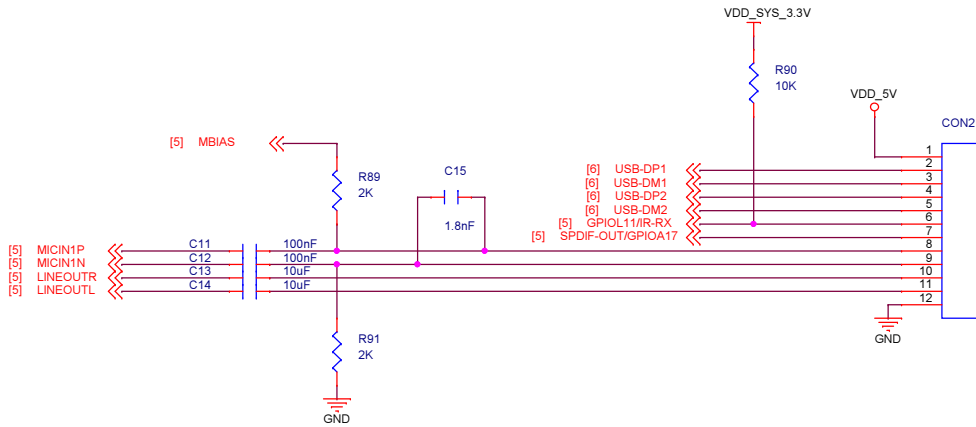
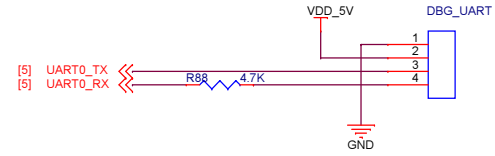
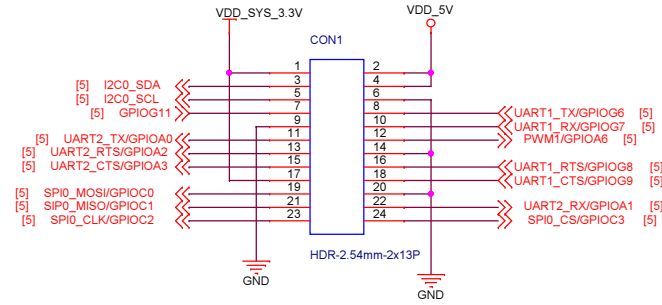
# TF,USB Host



**FRIENDLYARM**

|            |                        |               |
|------------|------------------------|---------------|
| NanoPi NEO |                        |               |
| Size       | Document Number        | Rev           |
| A3         | 09:Card,USB Host, AV   | 1606          |
| Date:      | Tuesday, July 05, 2016 | Sheet 9 of 11 |

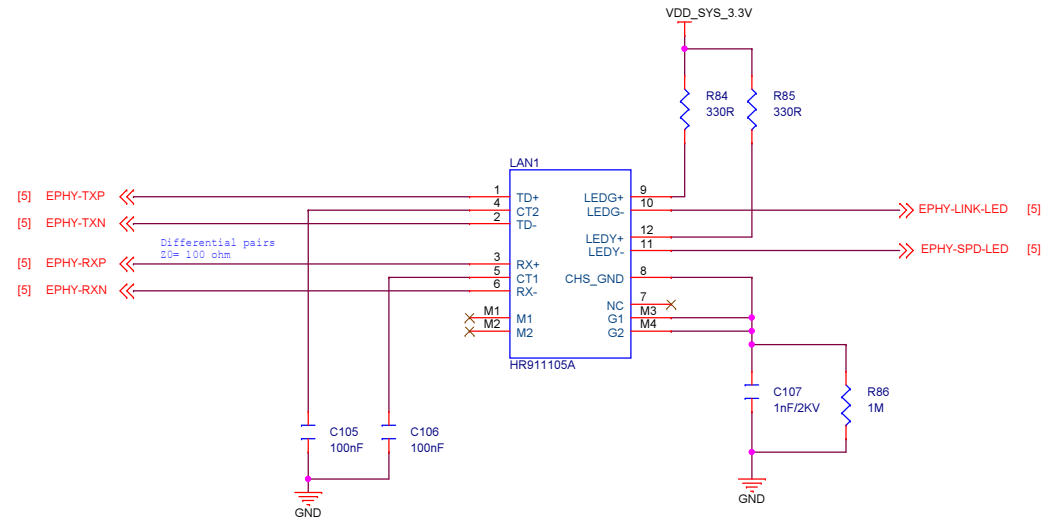
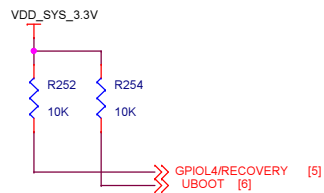
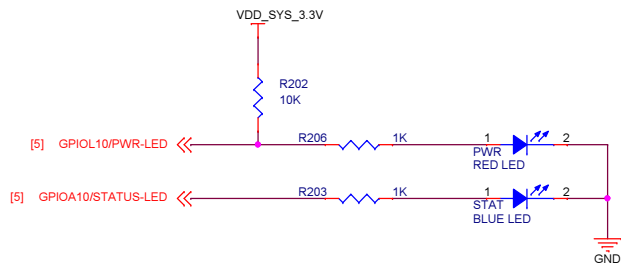
# GPIO



**FRIENDLYARM**

|            |                        |                |
|------------|------------------------|----------------|
| NanoPi NEO |                        |                |
| Size       | Document Number        | Rev            |
| A3         | 11:GPIO, CAM, IR       | 1606           |
| Date:      | Tuesday, July 05, 2016 | Sheet 10 of 11 |

# LEDs, LAN, Keys



FRIENDLYARM

|                                 |                                       |             |
|---------------------------------|---------------------------------------|-------------|
| NanoPi NEO                      |                                       |             |
| Size<br>A3                      | Document Number<br>12:LEDs, LAN, Keys | Rev<br>1606 |
| Date:<br>Tuesday, July 05, 2016 | Sheet<br>11                           | of<br>11    |