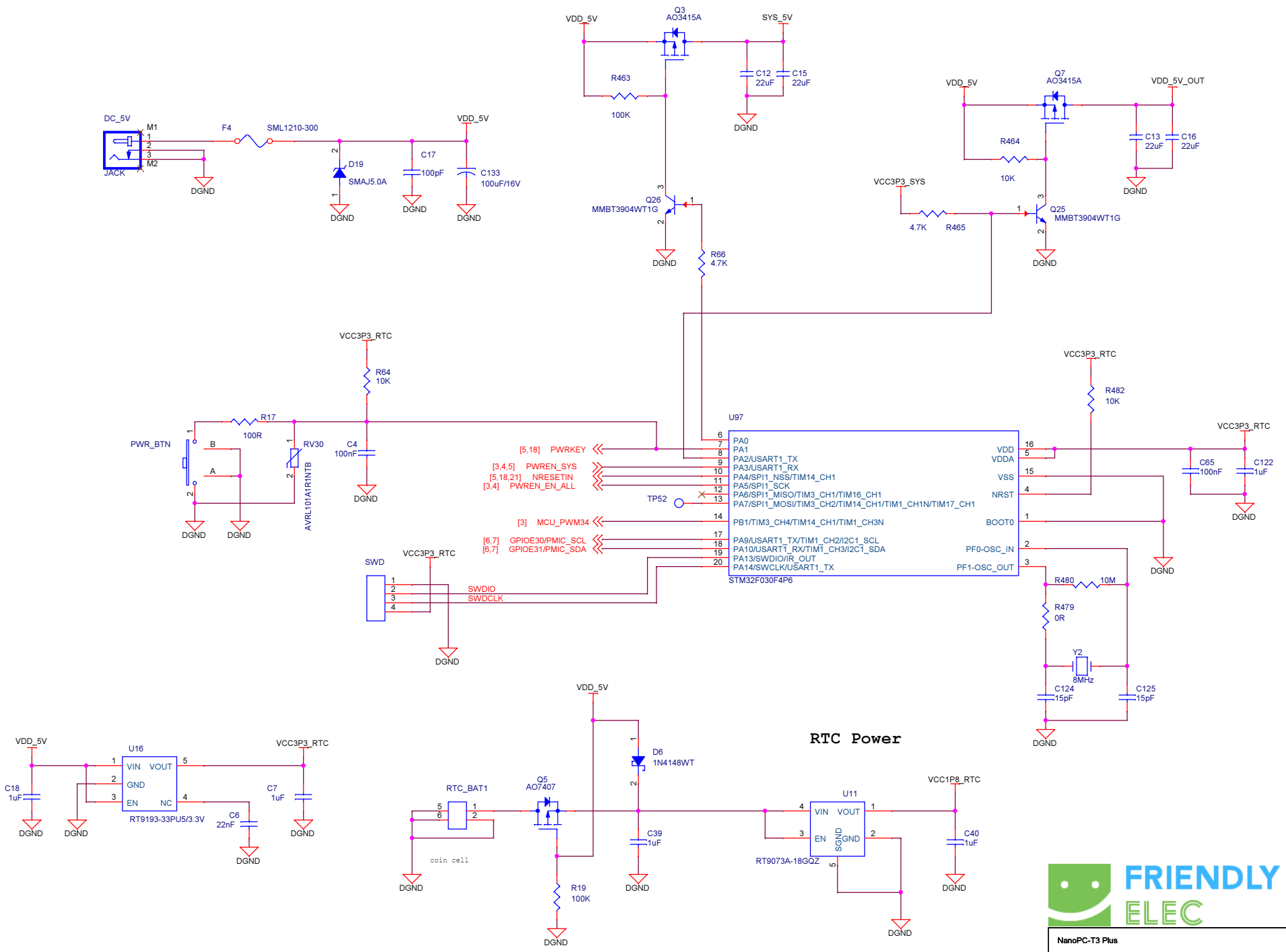


NanoPC-T3 Plus

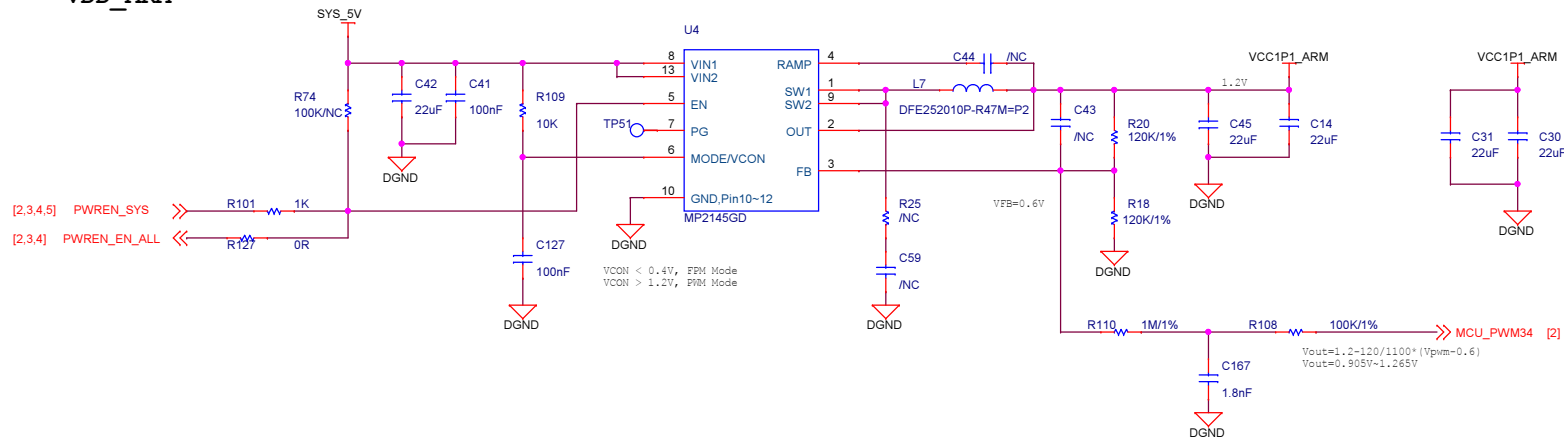
1709



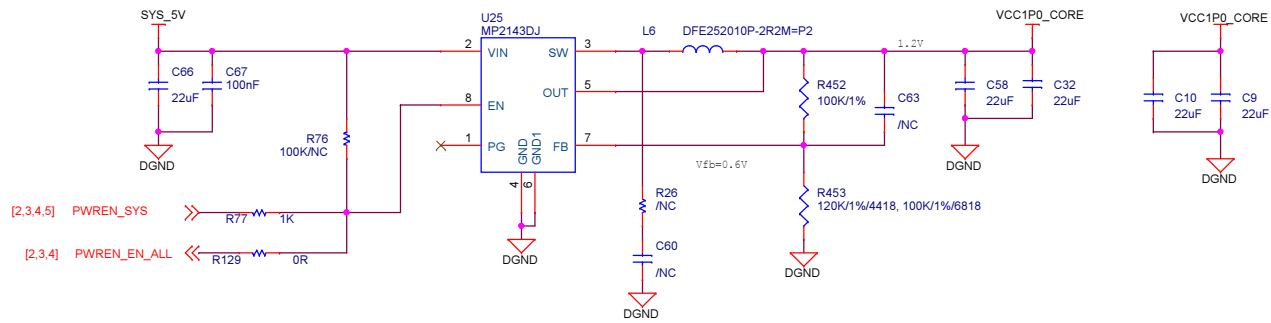
NanoPC-T3 Plus		
Size	Document Number	Rev
A3	01.Title	1709
Date:	Wednesday, November 29, 2017	Sheet 1 of 21

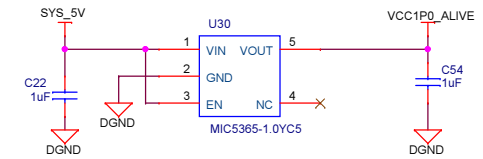
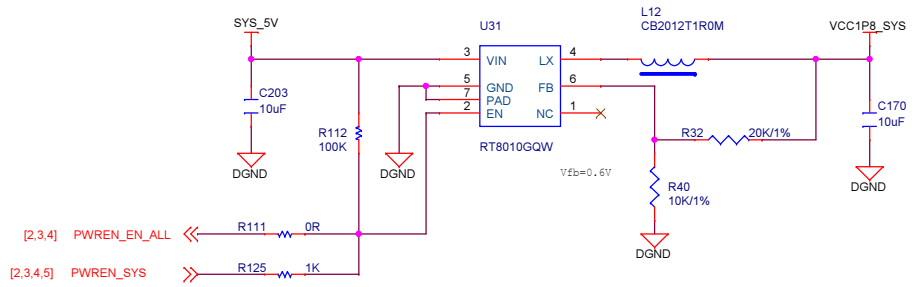
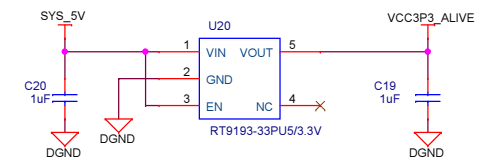
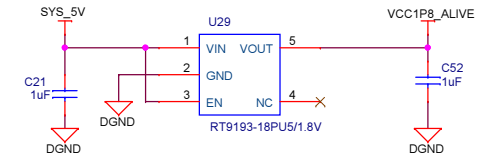
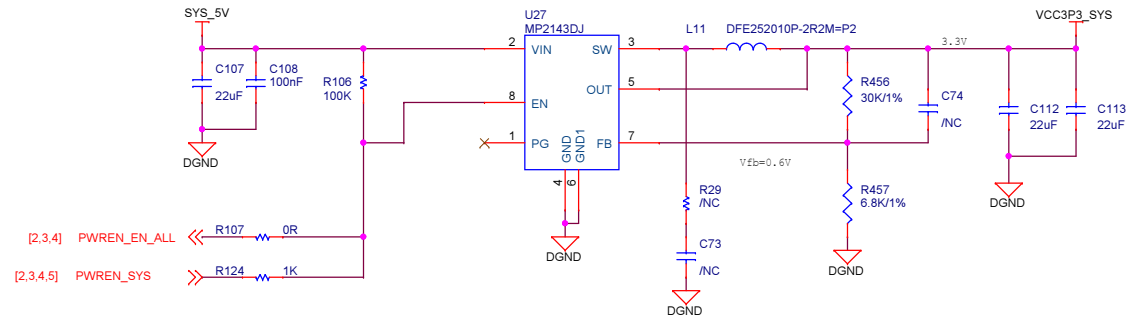
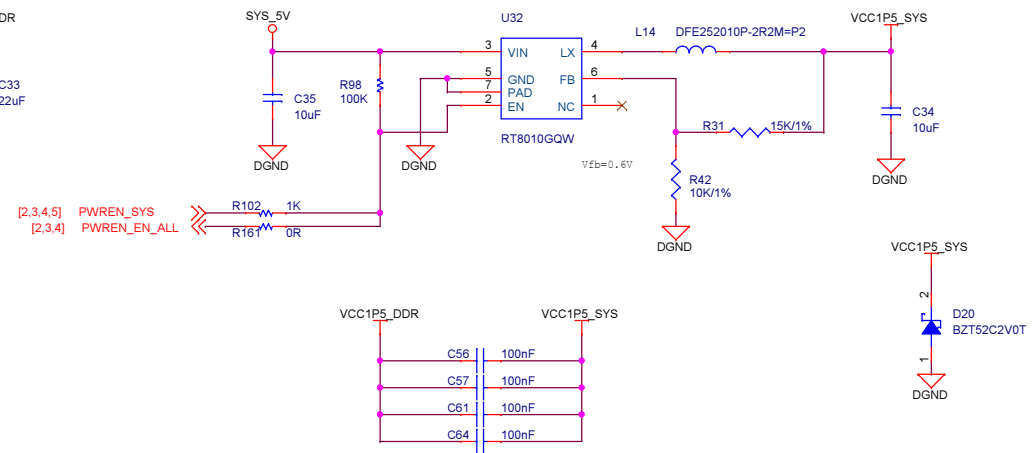
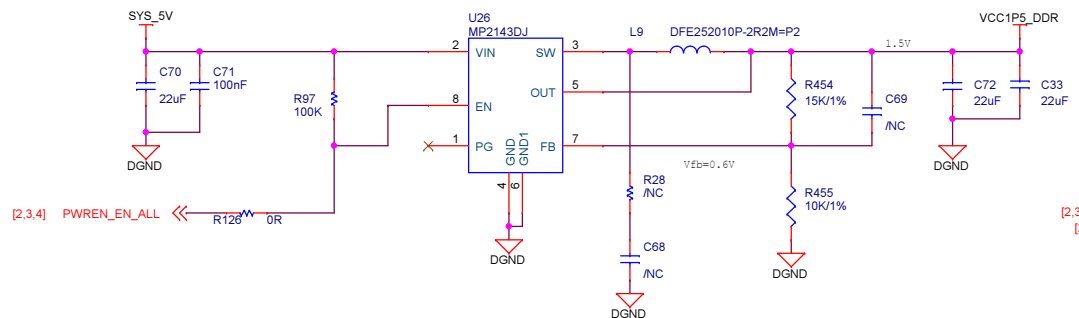


VDD_ARM



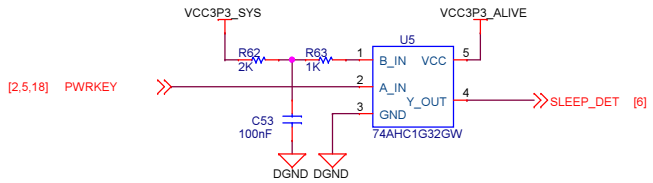
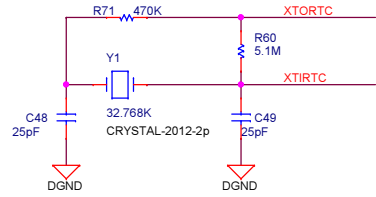
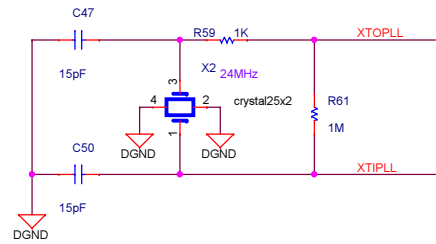
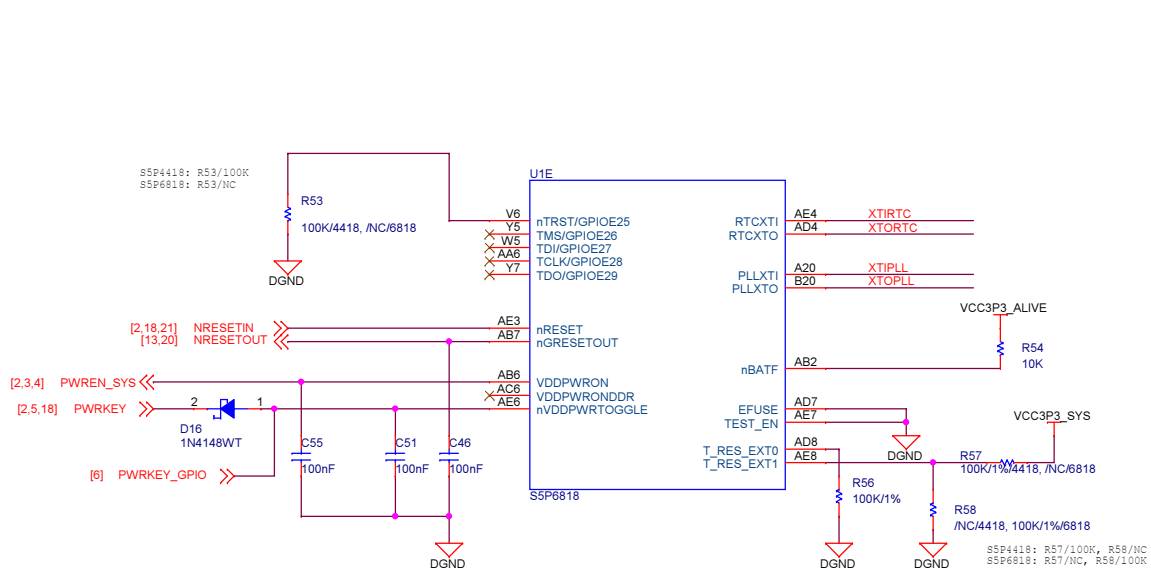
VDD_CORE



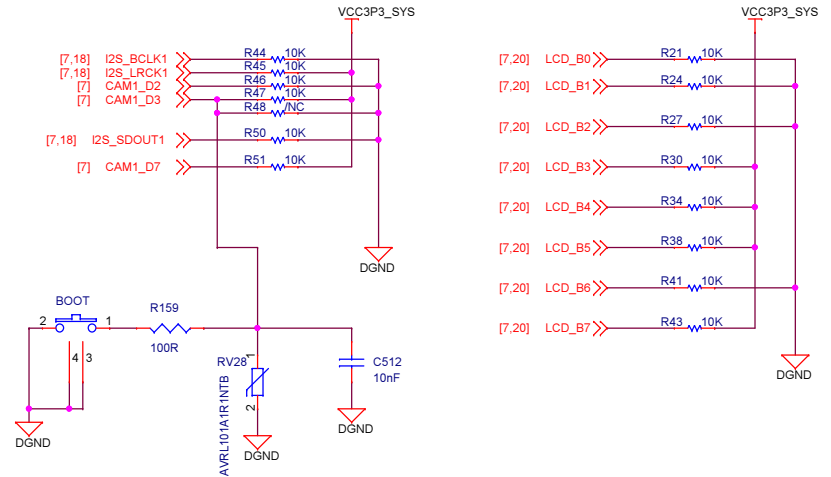


NanoPC-T3 Plus		
Size A3	Document Number 04.VDD_DDR/3.3V	Rev 1709
Date: Wednesday, November 29, 2017	Sheet 4	of 21

System Reset, Clocks



Boot Mode Config



BOOT MODE OPTION

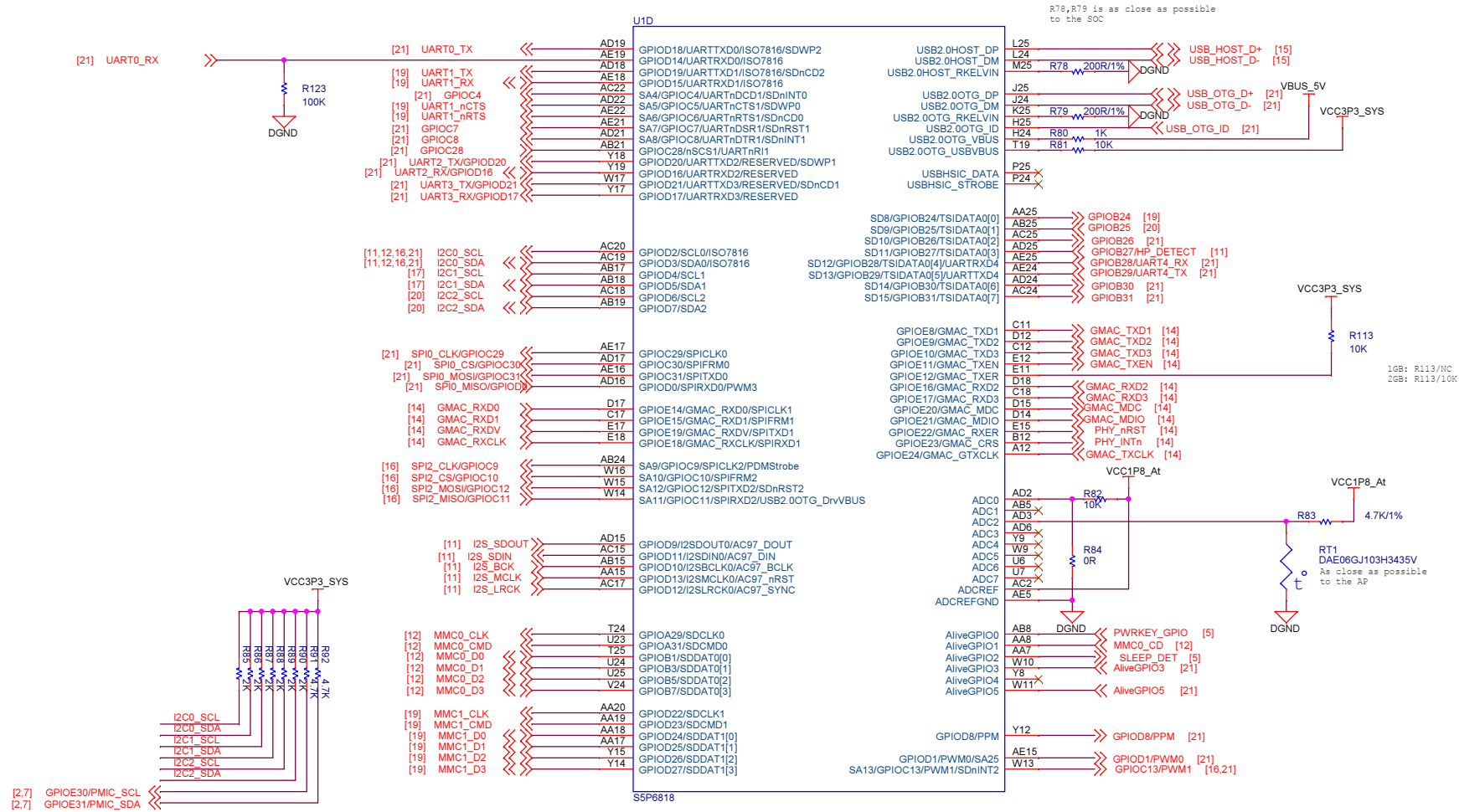
	eMMC	SPI	USB	NAND
SD0	HIGH	LOW	LOW	HIGH
SD1	LOW	LOW	HIGH	HIGH
SD2	HIGH	HIGH	HIGH	HIGH
SD4	LOW	HIGH		
SD5	LOW	LOW		

Boot media port select (SPI, eMMC)

	CH0	CH1	CH2
SD3	LOW	HIGH	LOW
CAM1_D3	LOW	LOW	HIGH



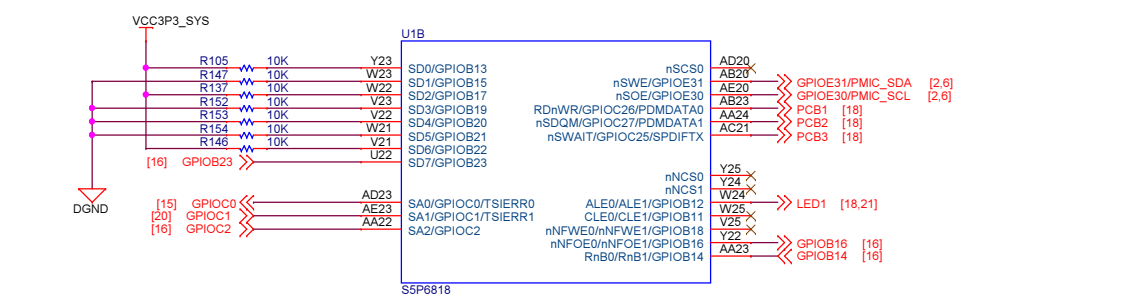
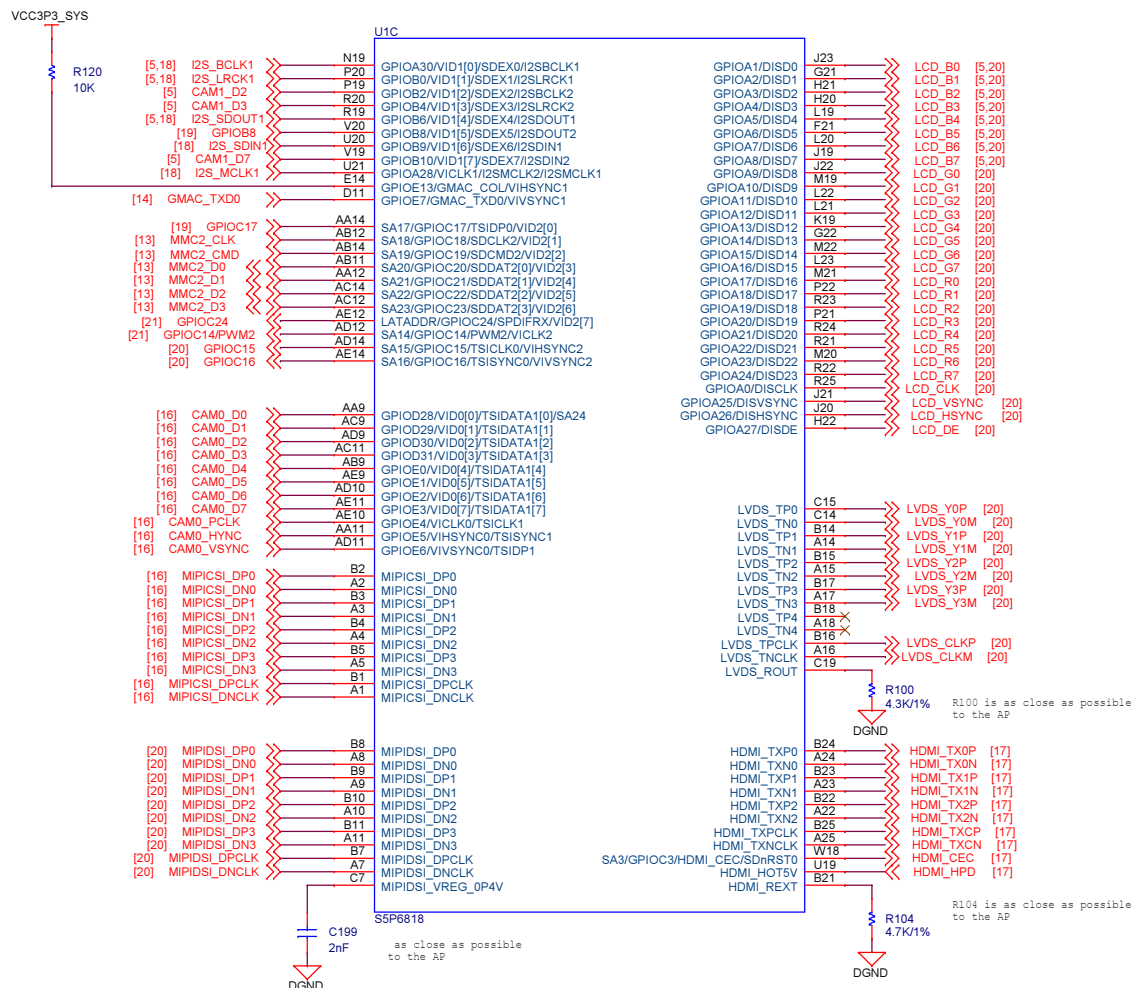
AP Peripherals



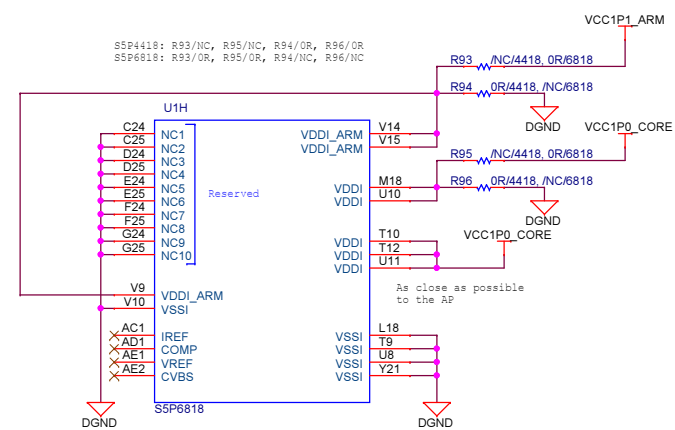
I2C CH0 : Camera
 I2C CH1 : HDMI EDID
 I2C CH2 : Touch
 PMIC_I2C : PMIC



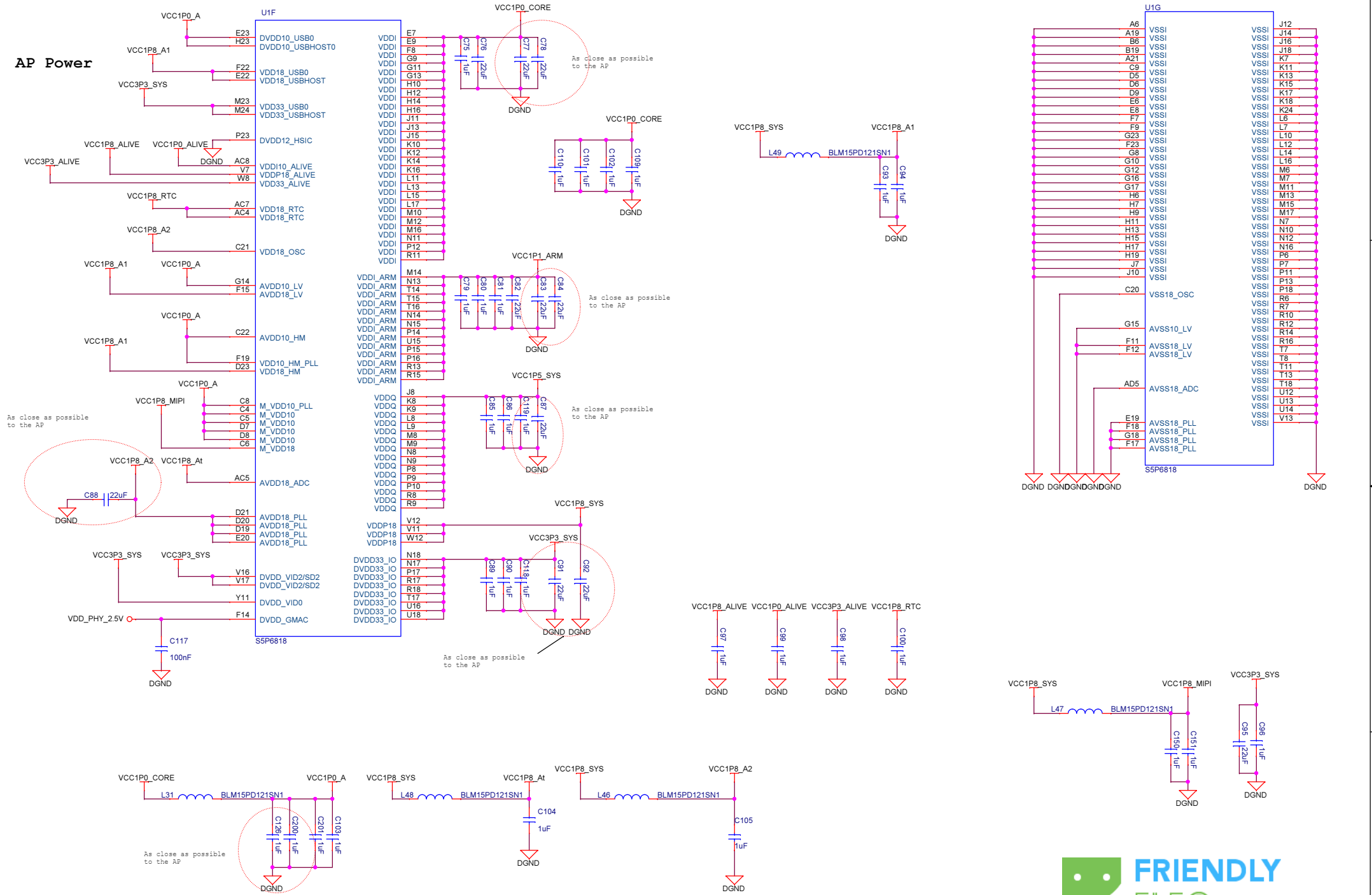
AP VIP&Display

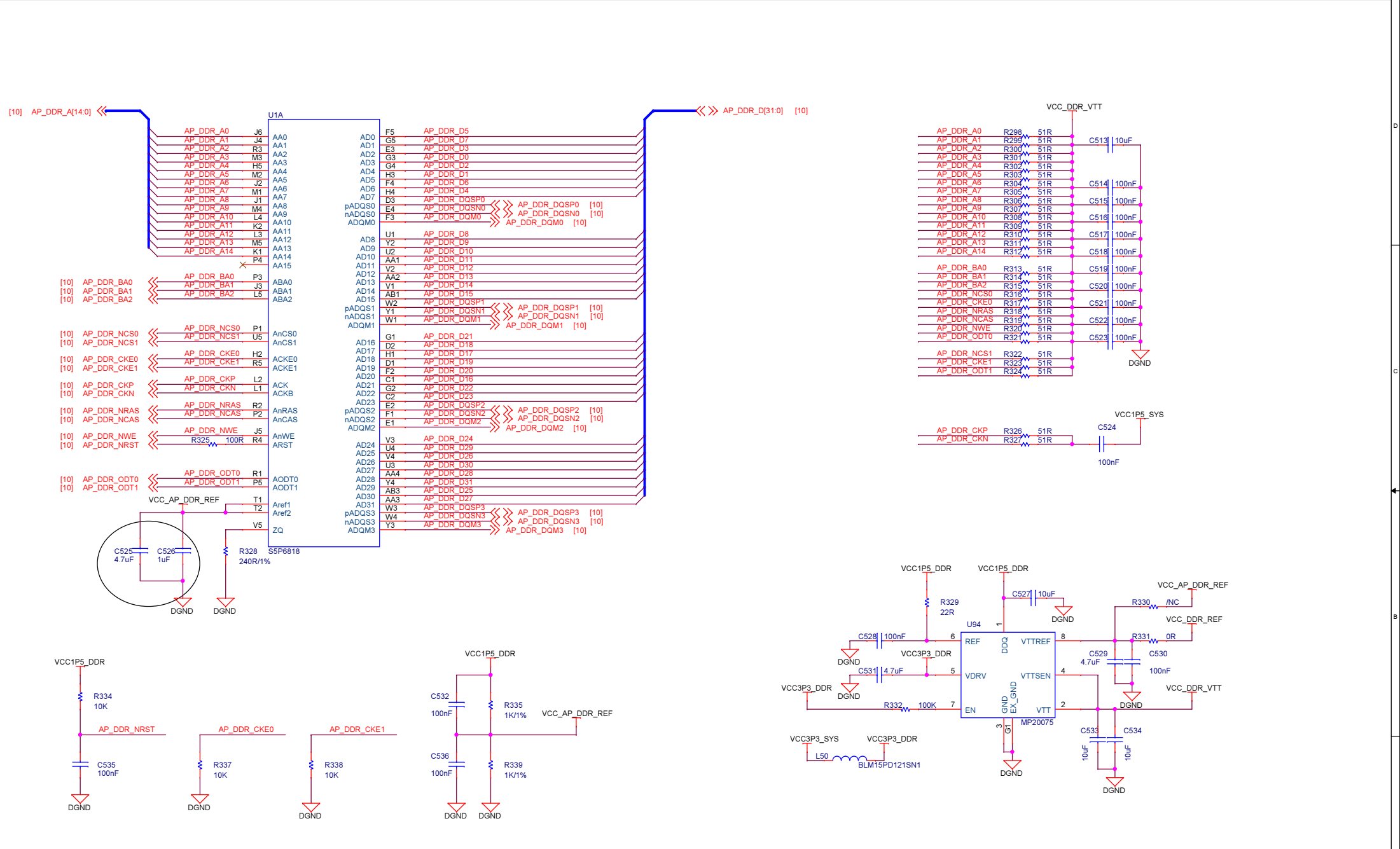


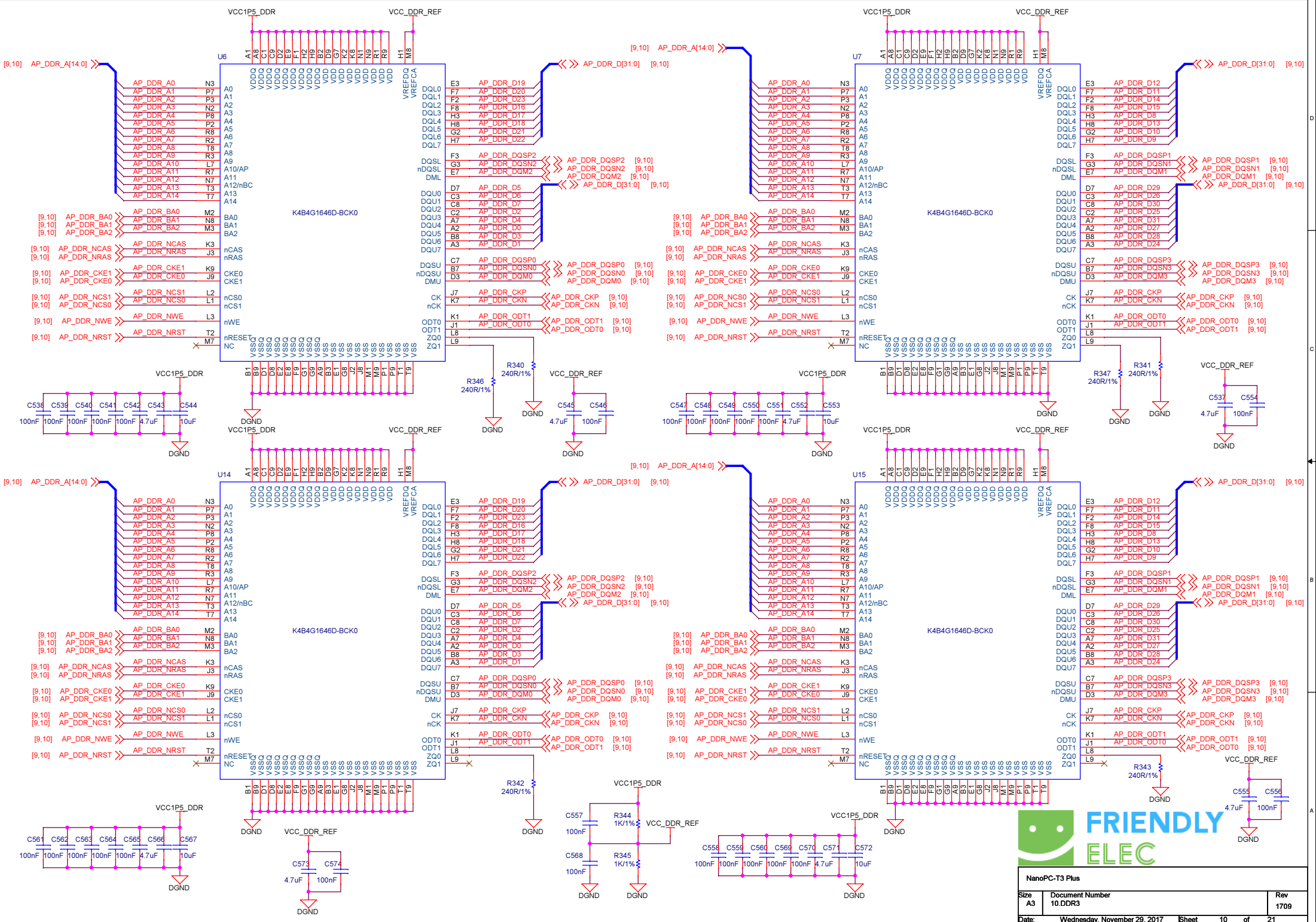
Reserved Function



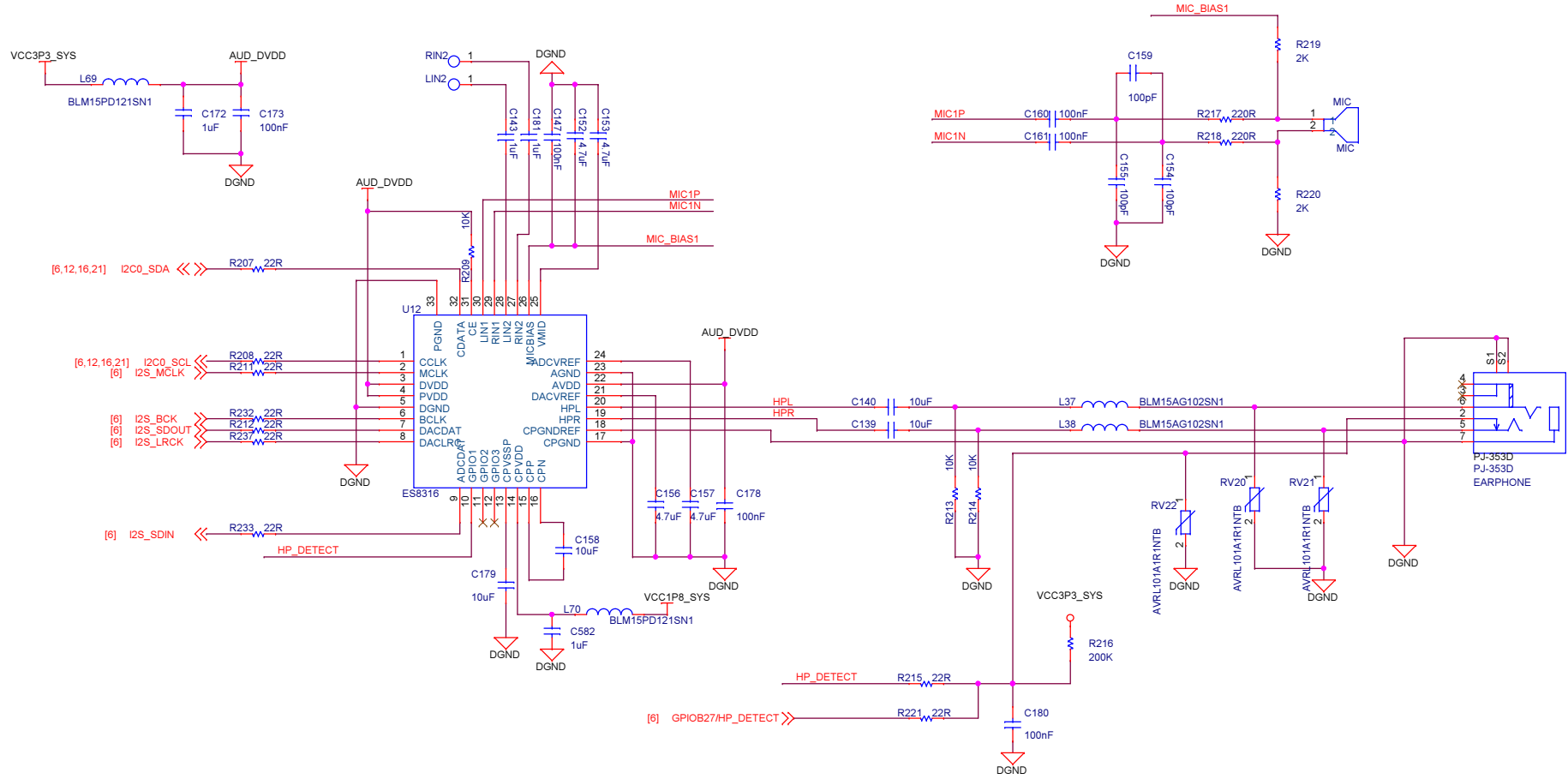
AP Power



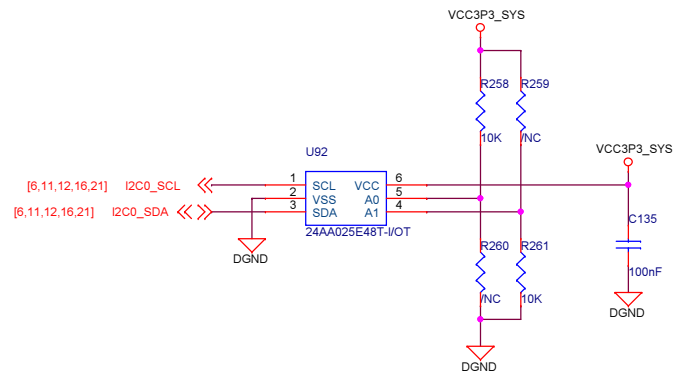




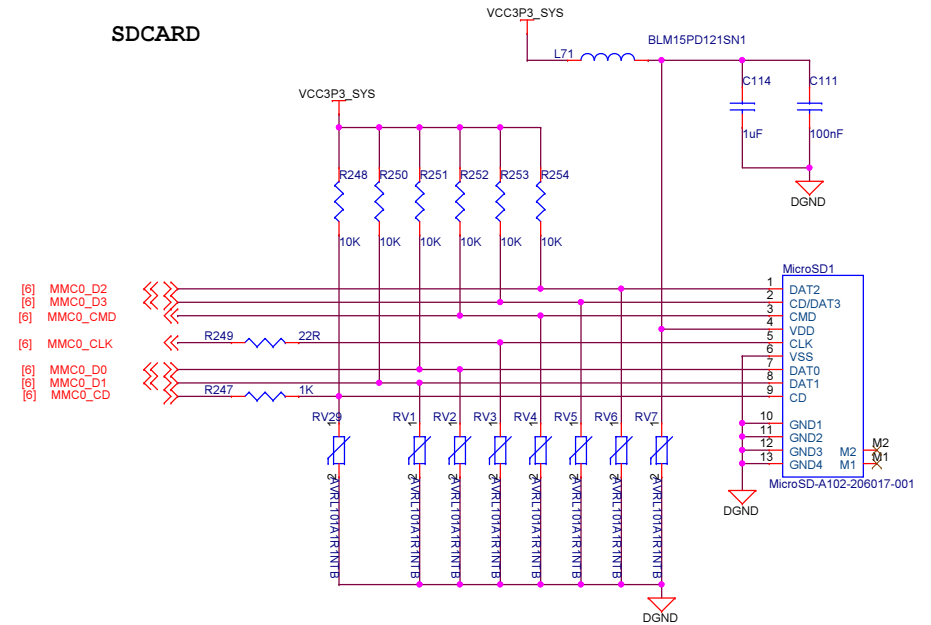
Audio



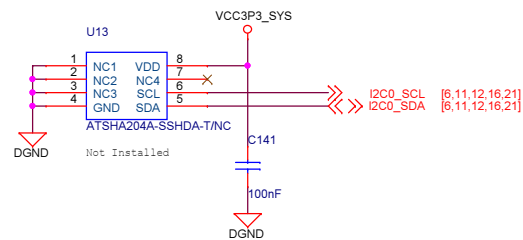
EEPROM with MAC Address



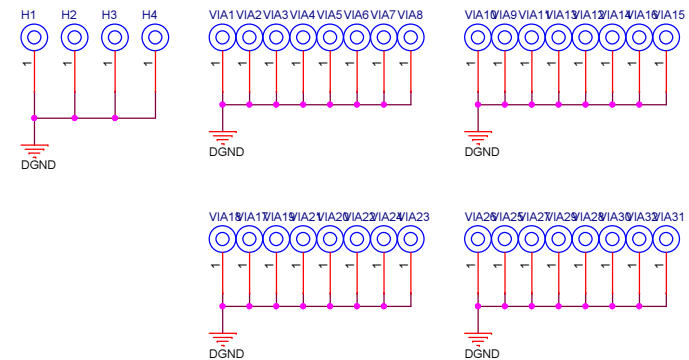
SDCARD



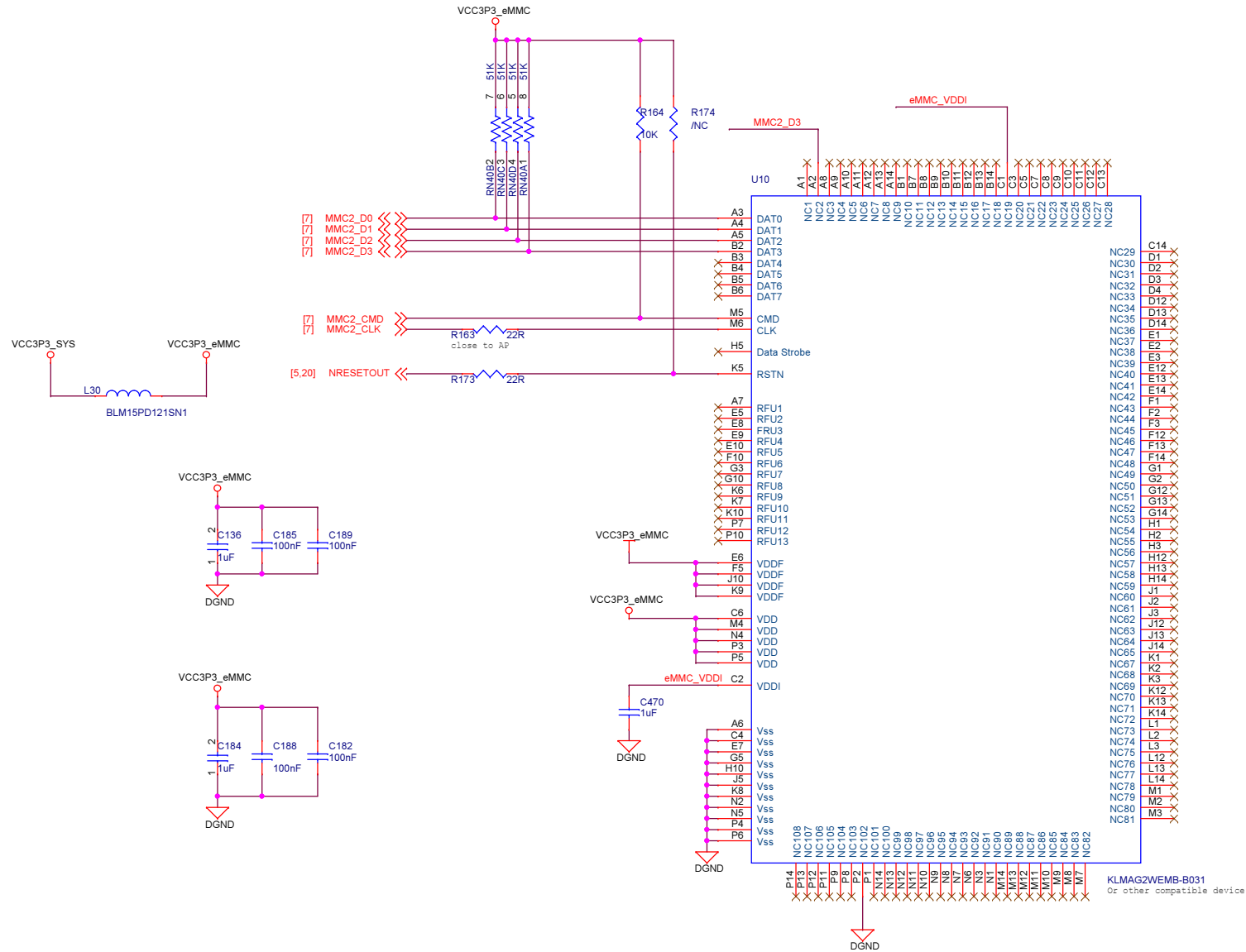
CryptoAuthentication



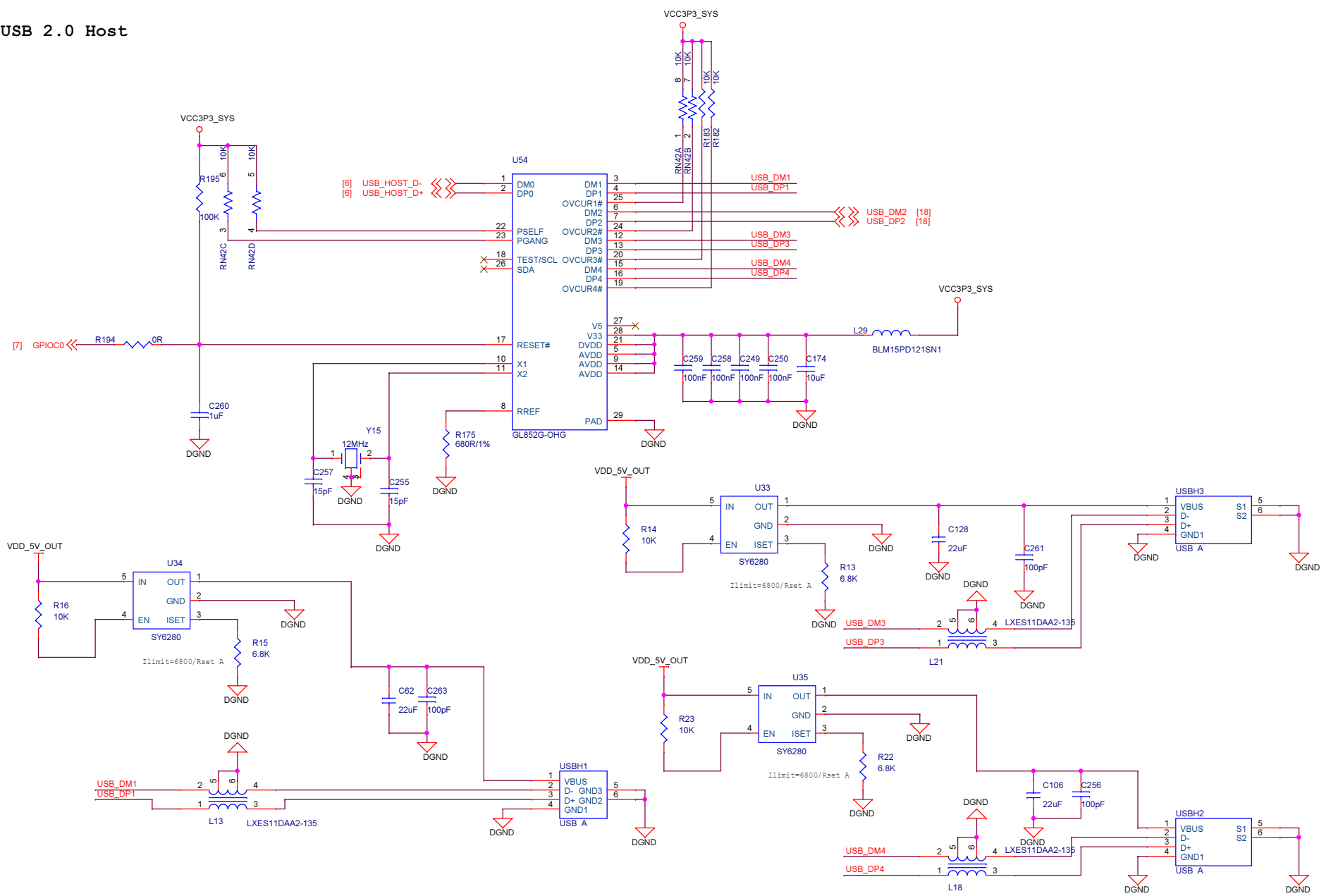
Mounting Holes



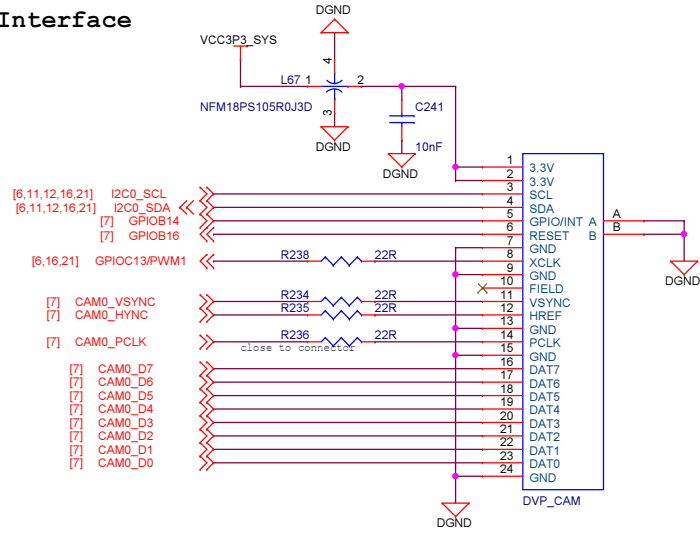
eMMC



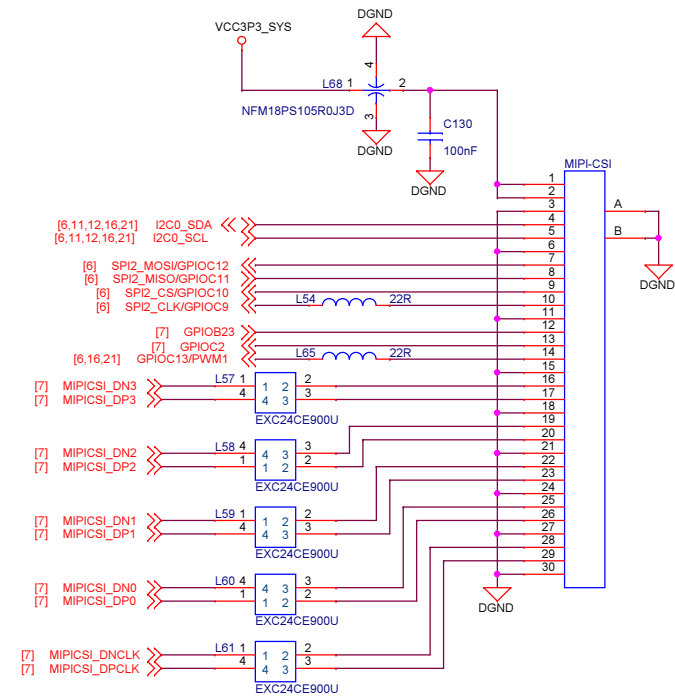
USB 2.0 Host



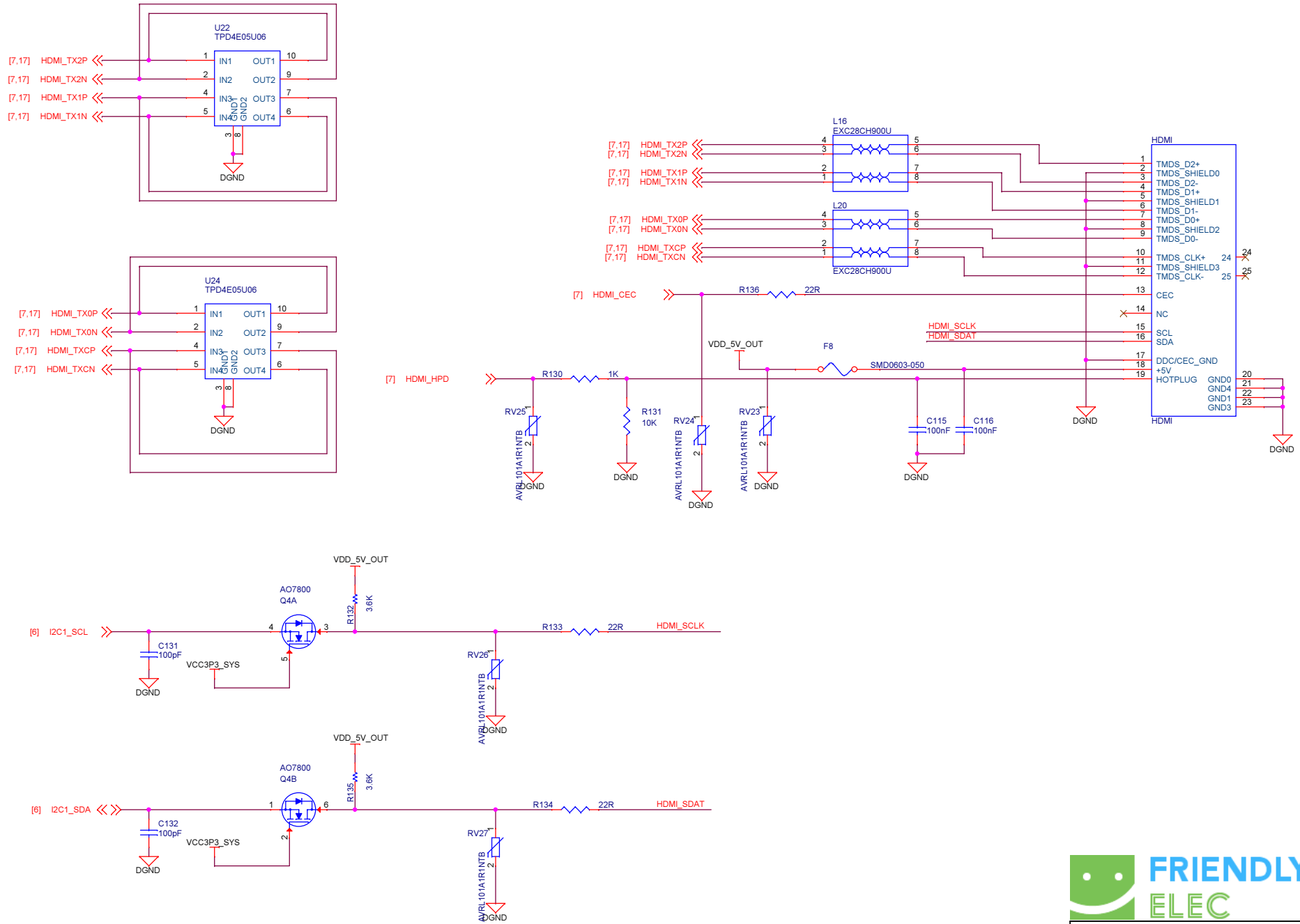
Camera Interface

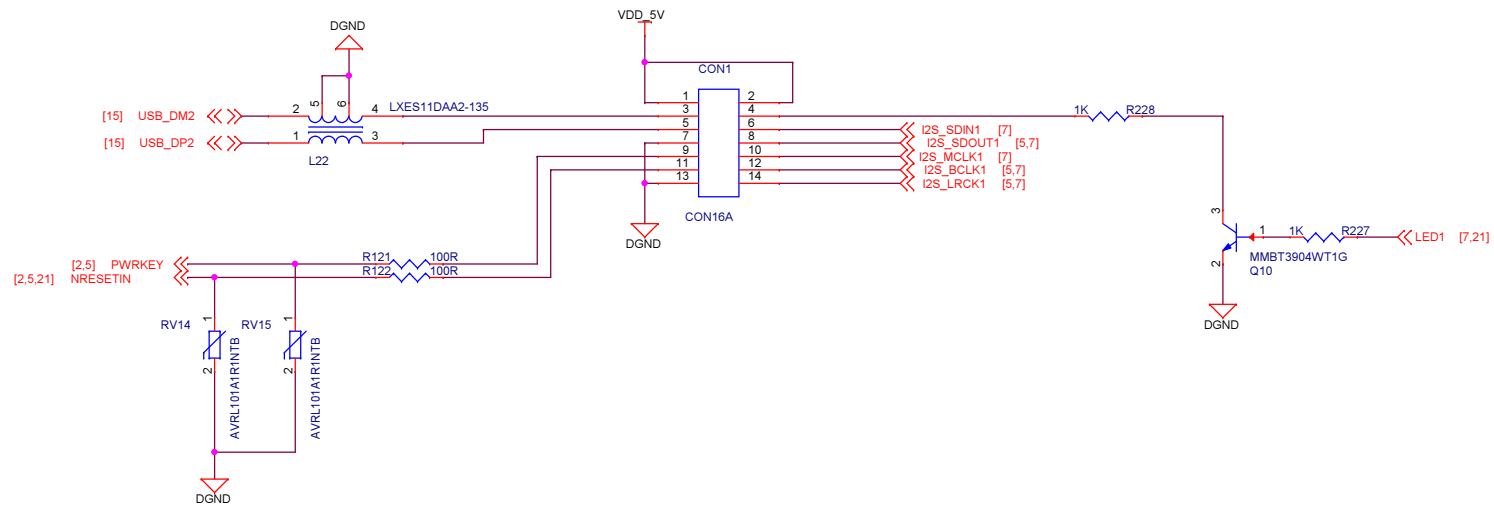
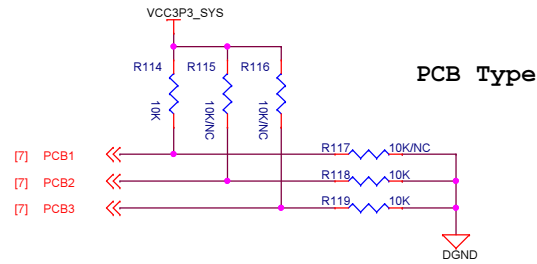


MIPI CSI

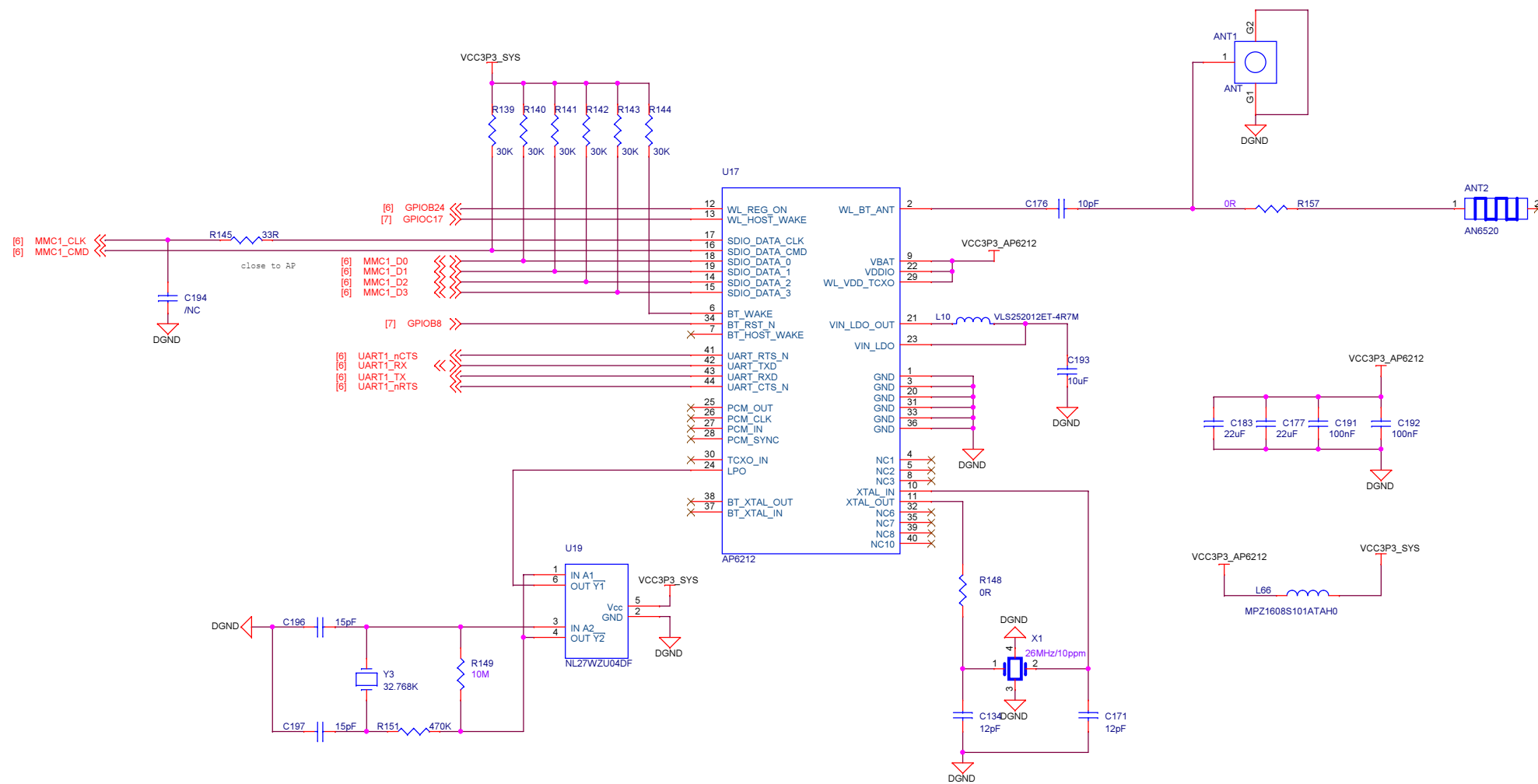


HDMI

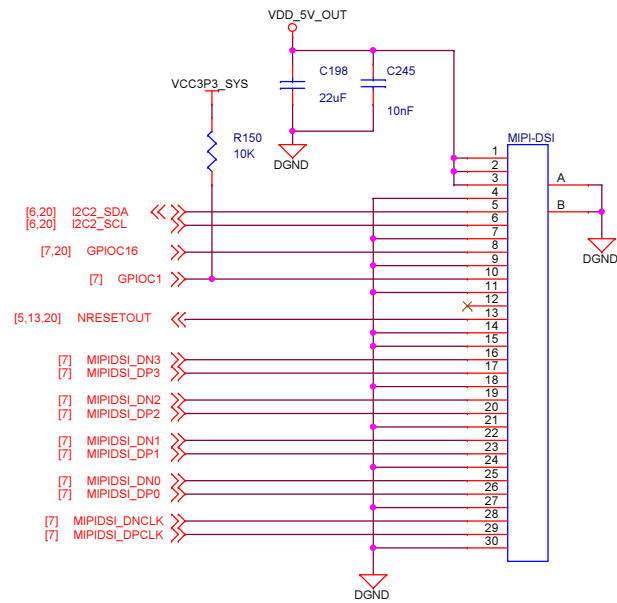




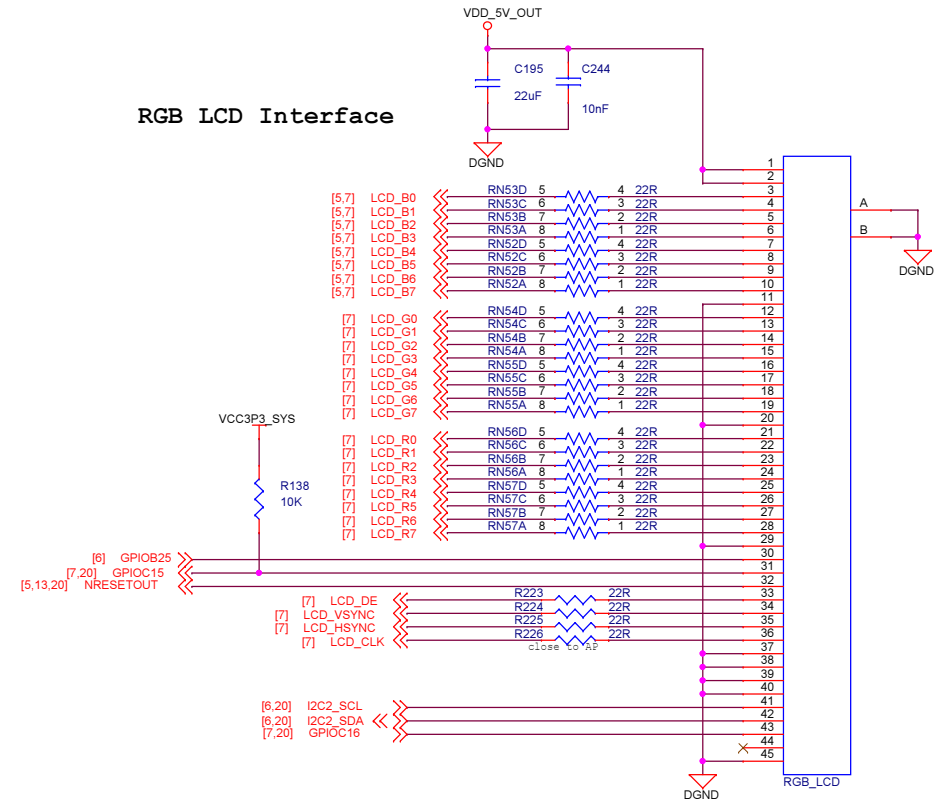
Wi-Fi/Bluetooth



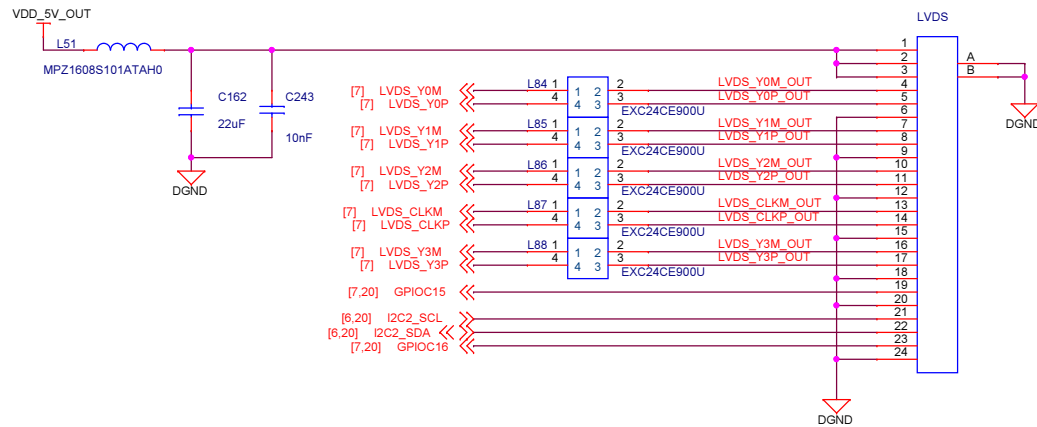
MIPI DSI Interface



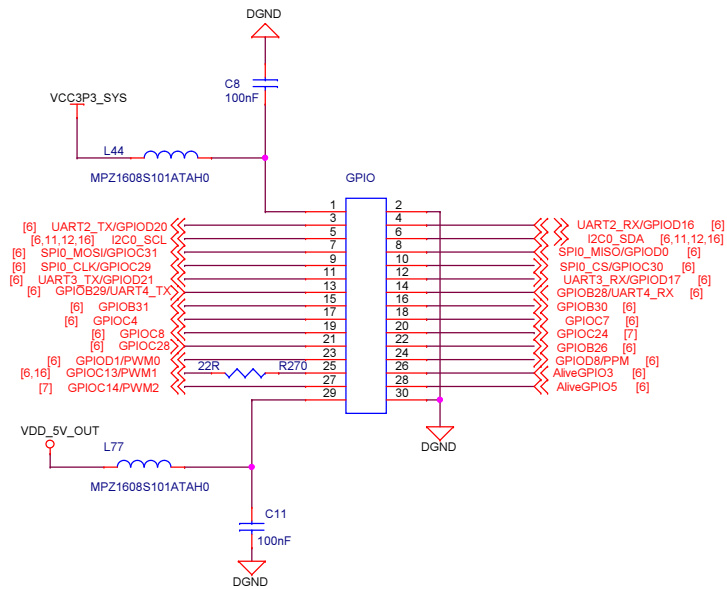
RGB LCD Interface



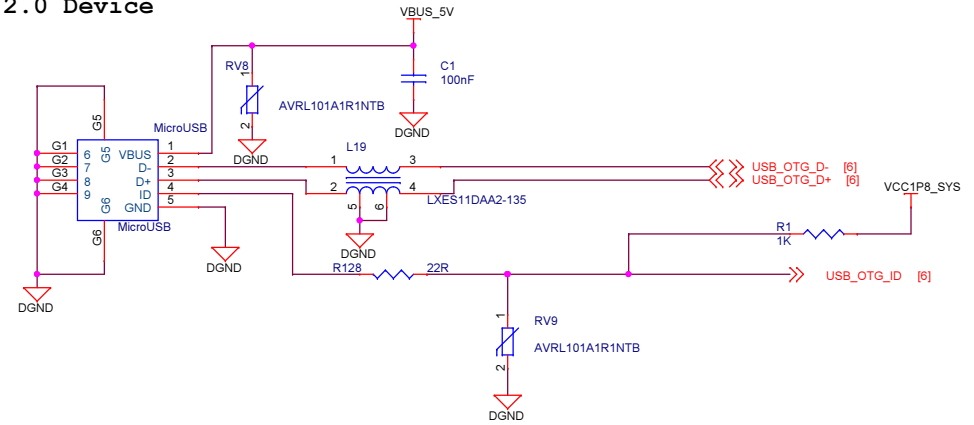
LVDS



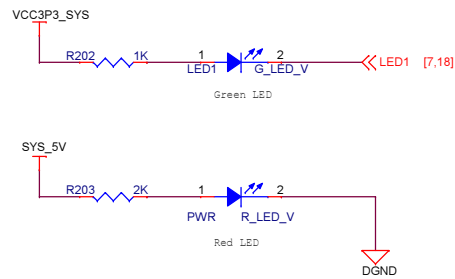
2.54mm Header



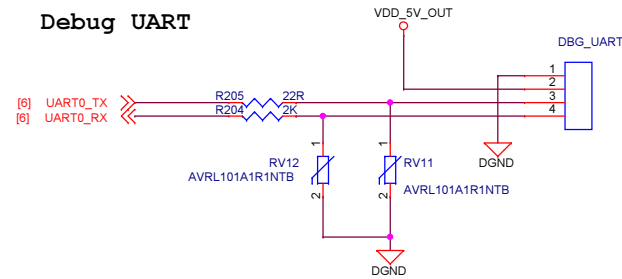
USB 2.0 Device



LEDs



Debug UART



RESET

