

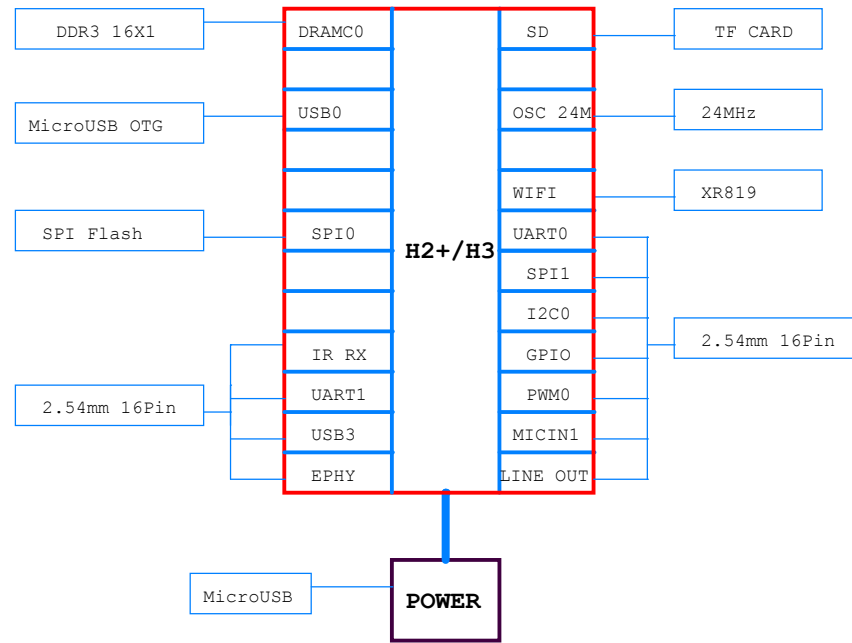
NanoPi Duo

Revision 1706 , V1.0

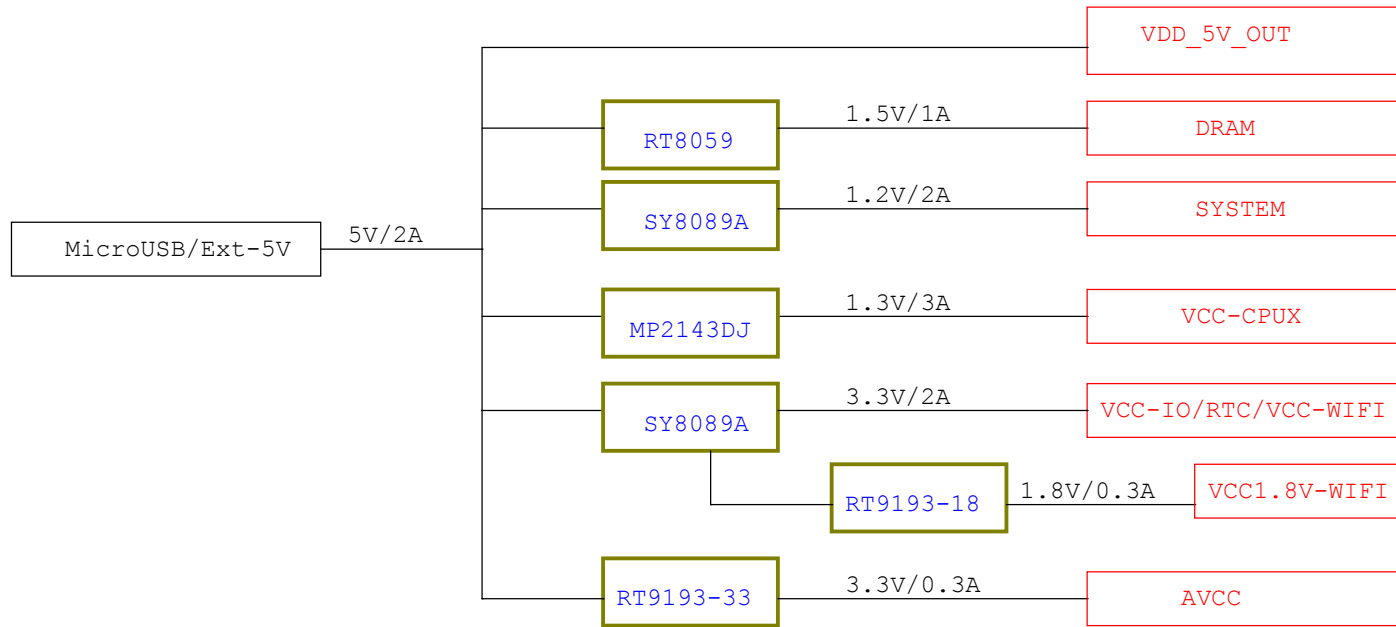


NanoPi Duo		
Size A3	Document Number Title	Rev 1706
Date:	Saturday, September 16, 2017	Sheet 1 of 15

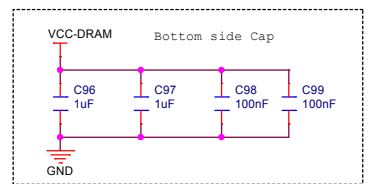
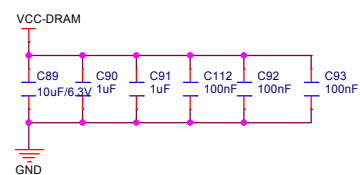
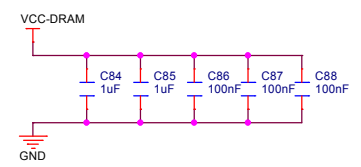
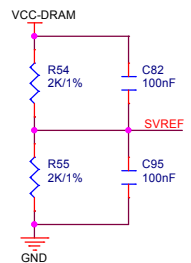
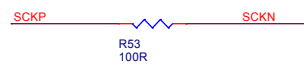
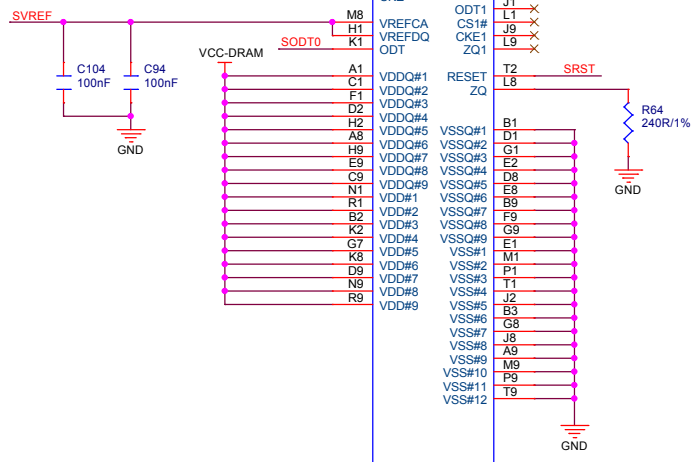
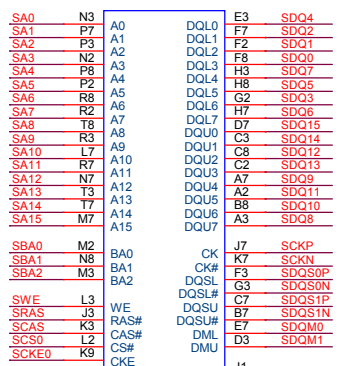
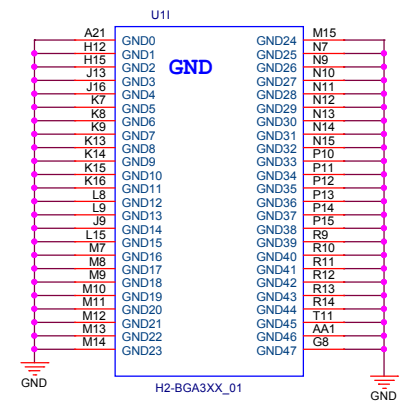
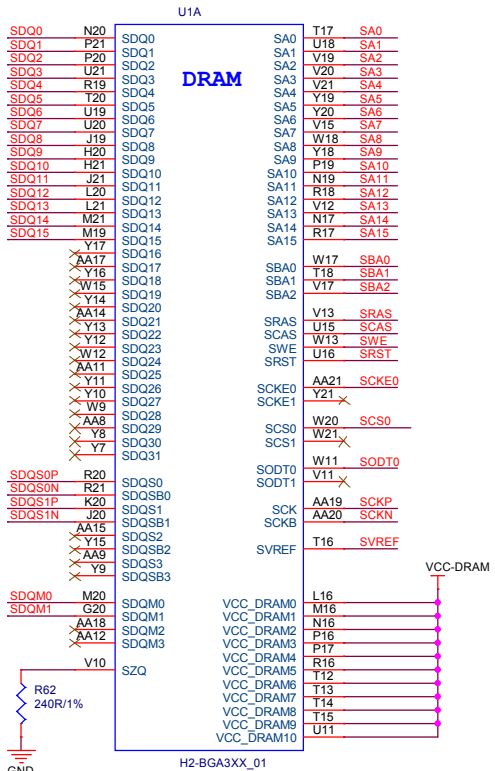
BLOCK



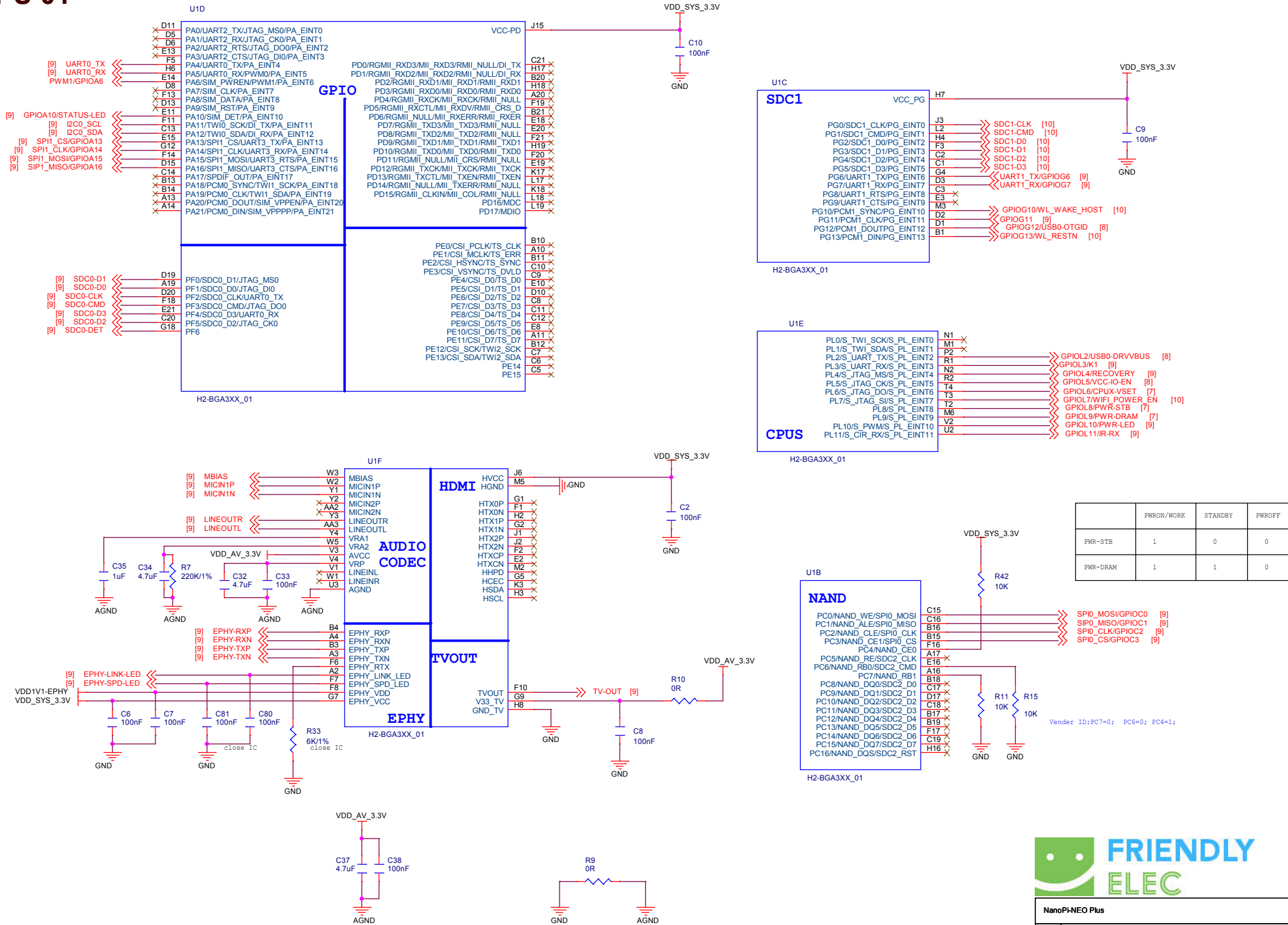
POWER TREE



DDR3 16x1



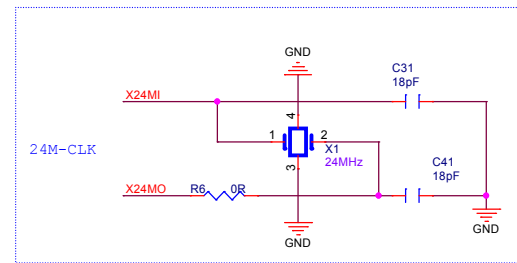
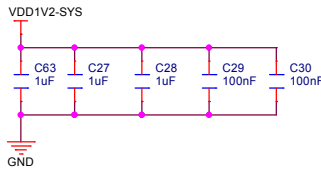
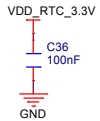
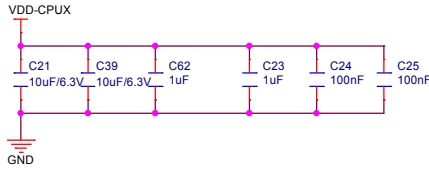
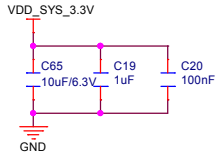
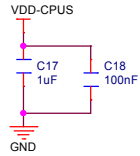
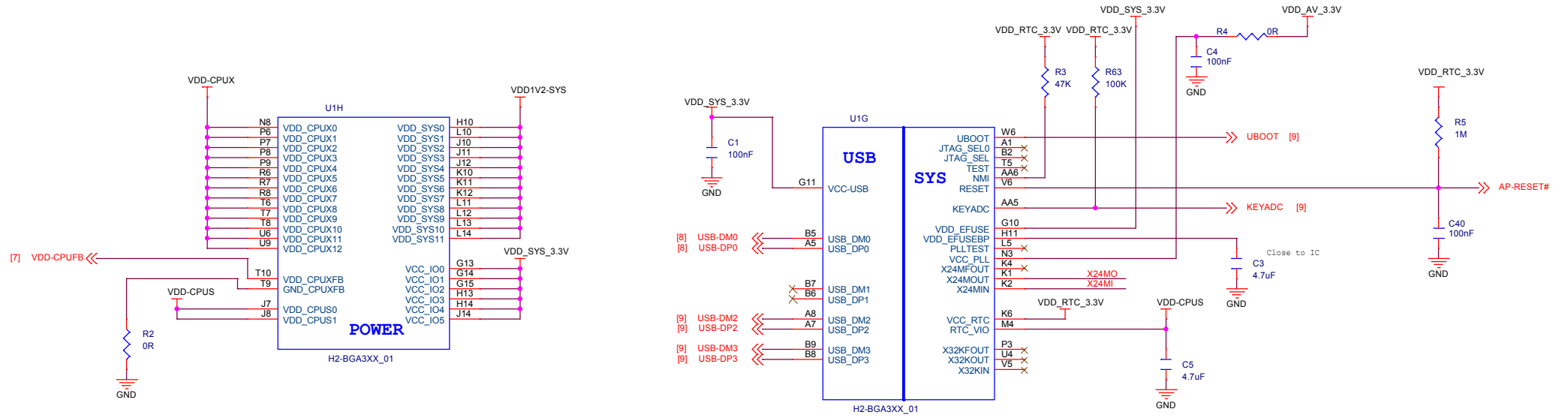
CPU 01



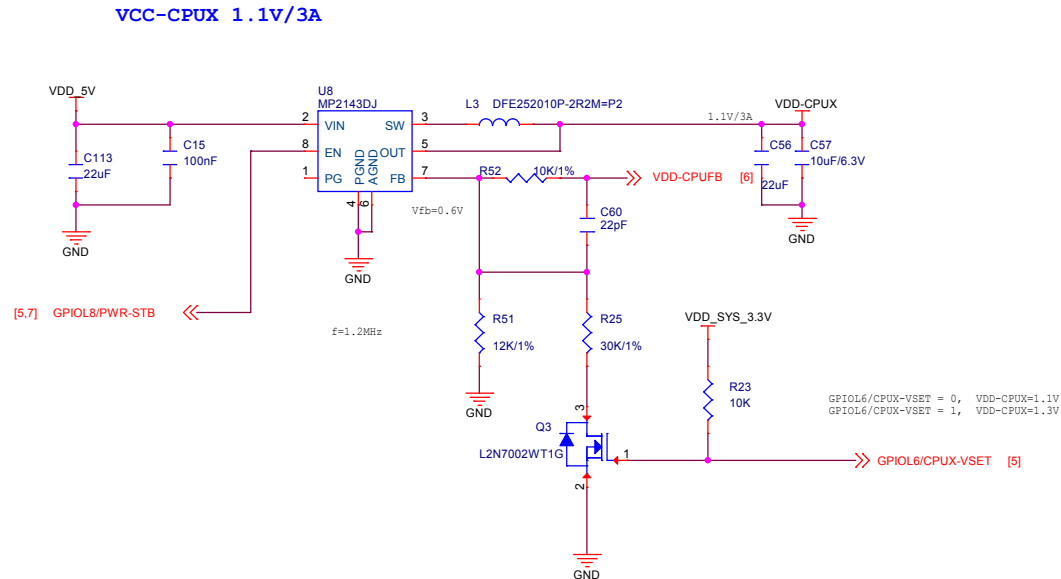
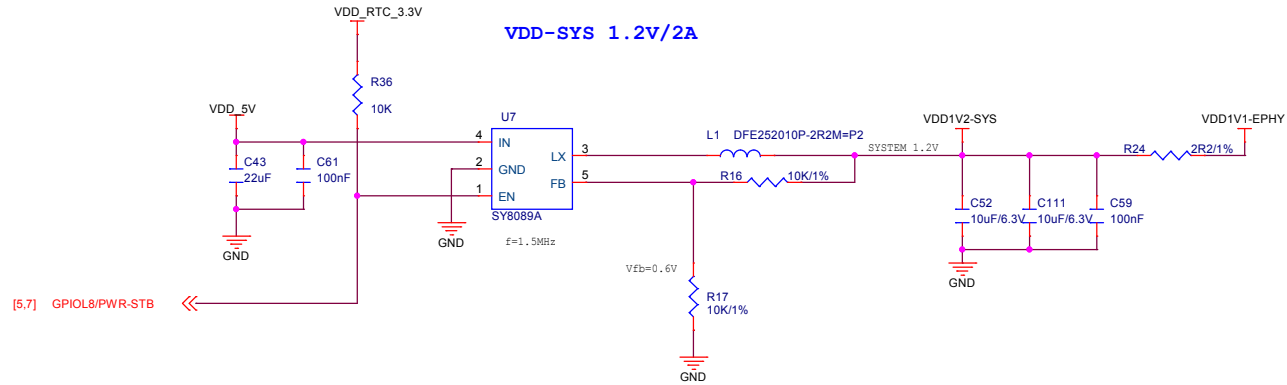
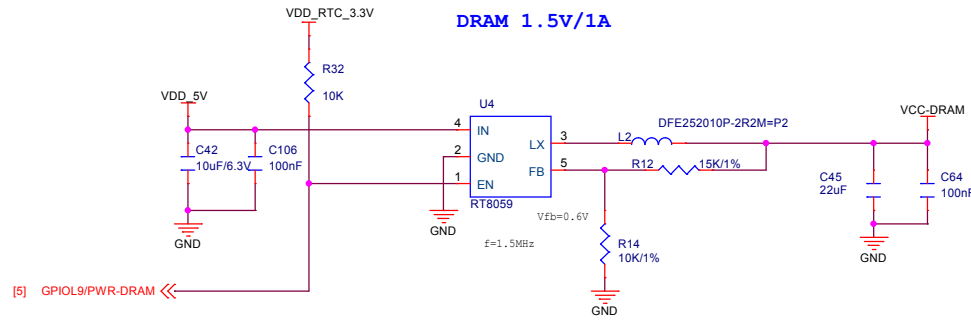
	PWRON/WORK	STANDBY	PWROFF
PWR-5TB	1	0	0
PWR-DRAM	1	1	0



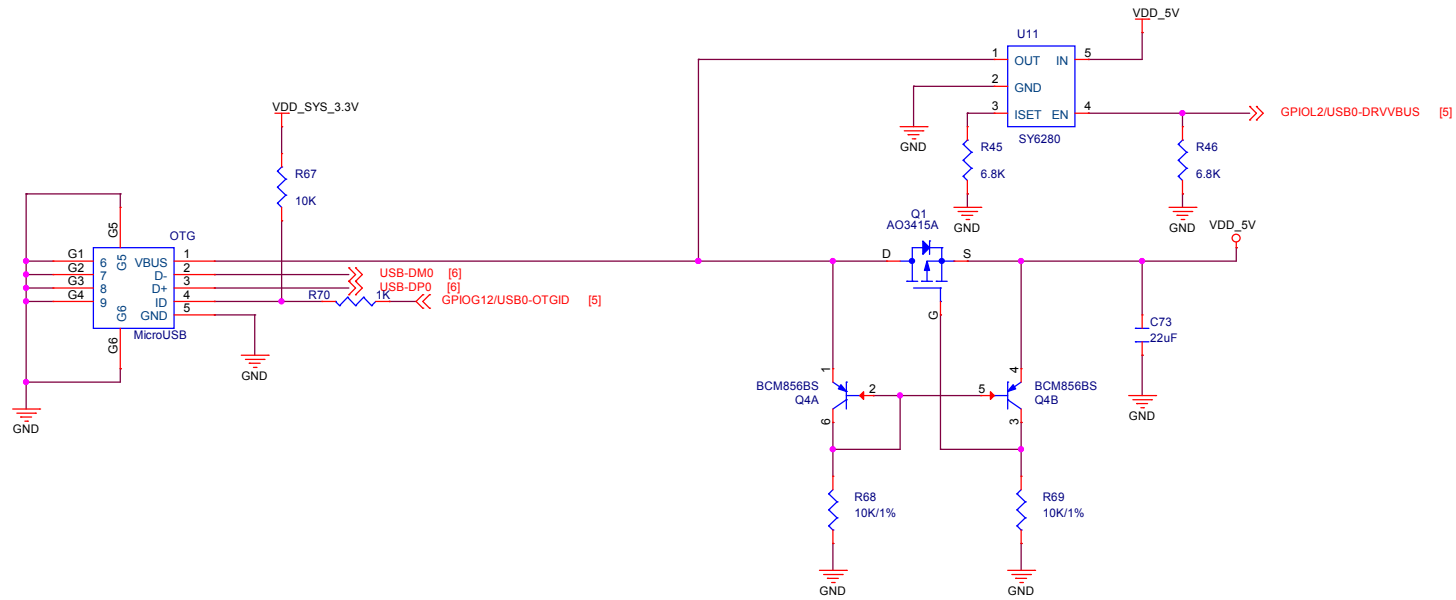
CPU 02



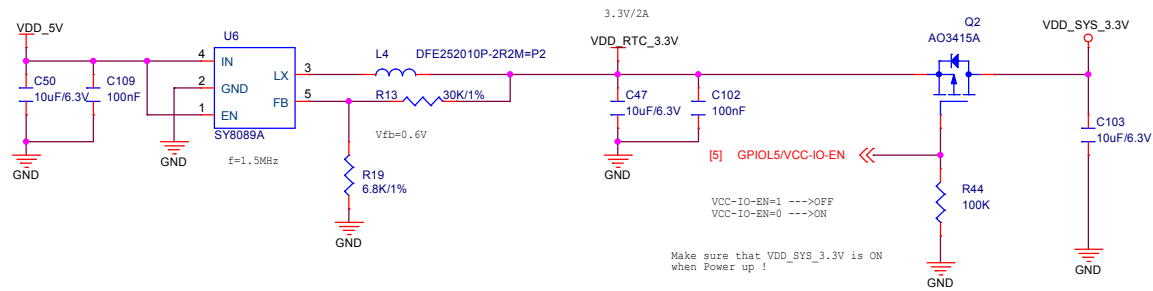
POWER 01



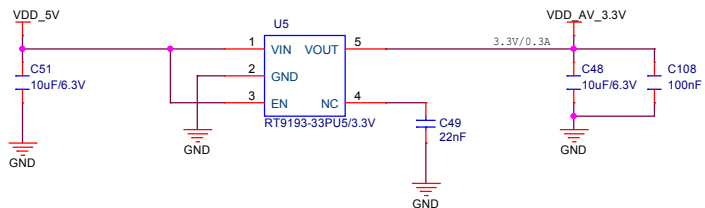
POWER 02



VCC-IO 3.3V/2A

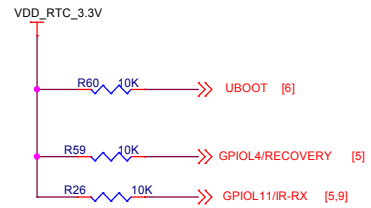
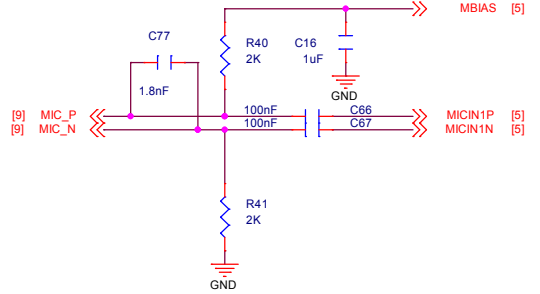
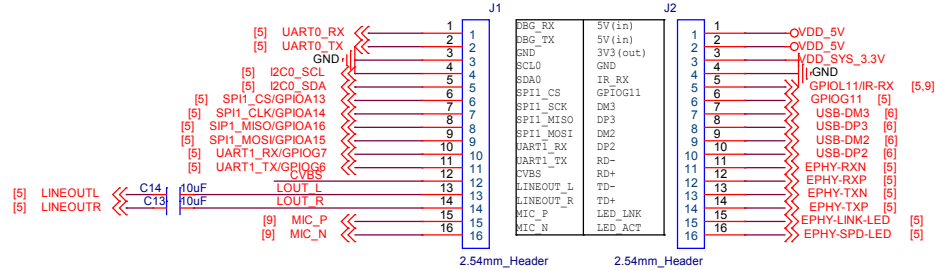


VCC-AVCC 3.3V/0.3A

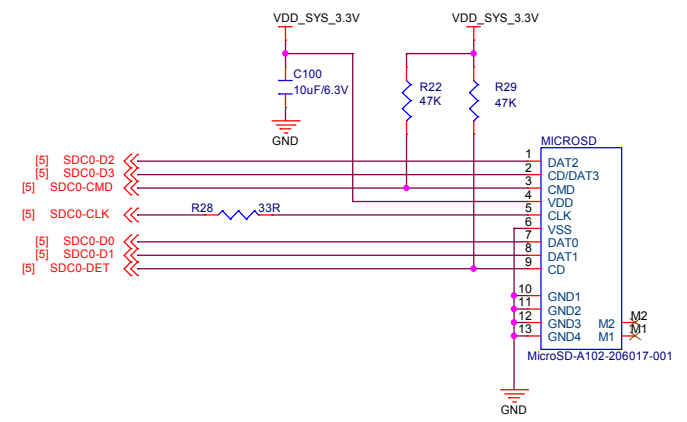
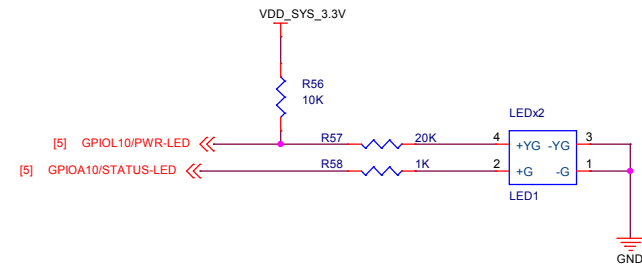
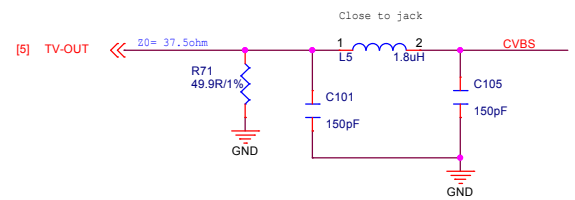
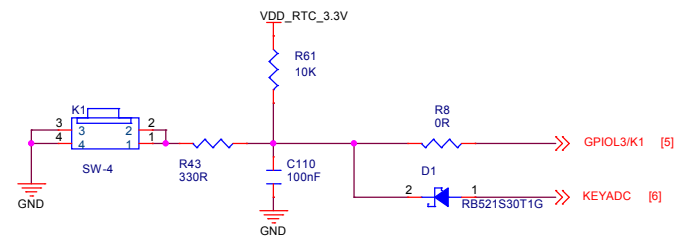
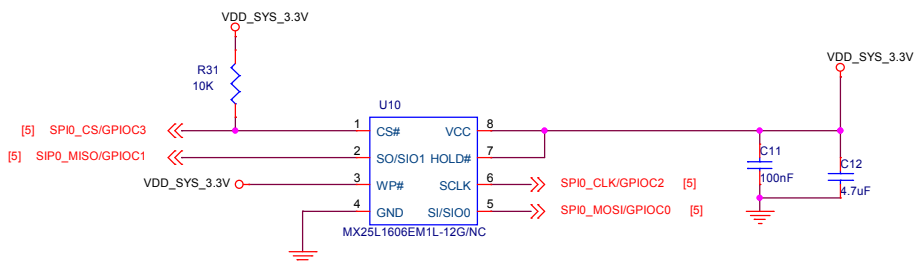


NanoPi-NEO Plus		
Size A3	Document Number POWER 02	Rev 1706
Date:	Saturday, September 16, 2017	Sheet 8 of 15

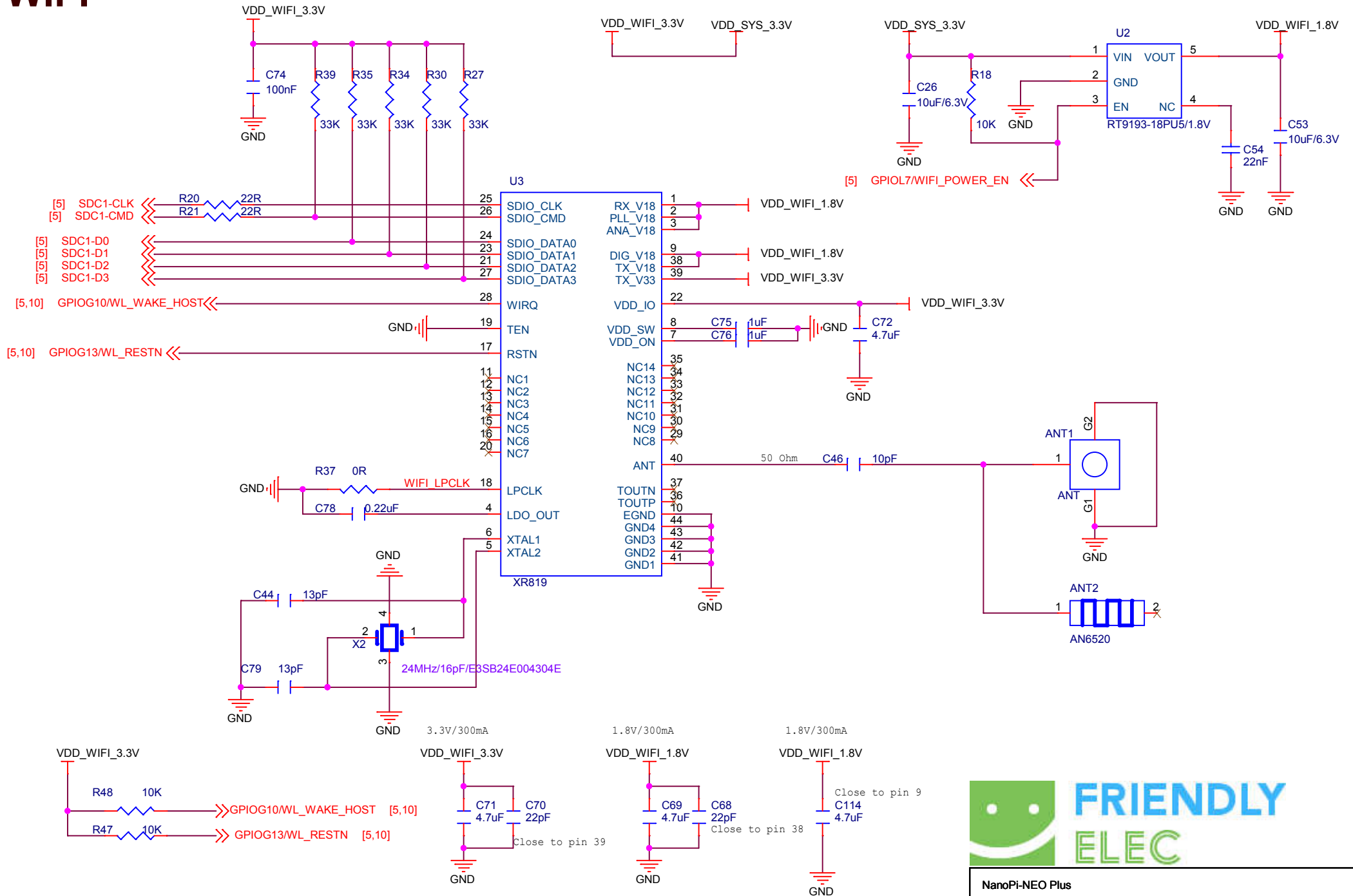
GPIO,LEDs,TF Card



SPI Flash



WIFI



NanoPi-NEO Plus		
Size A4	Document Number WIFI	Rev 1706
Date:	Saturday, September 16, 2017	Sheet 10 of 10