

NanoPi NEO Air

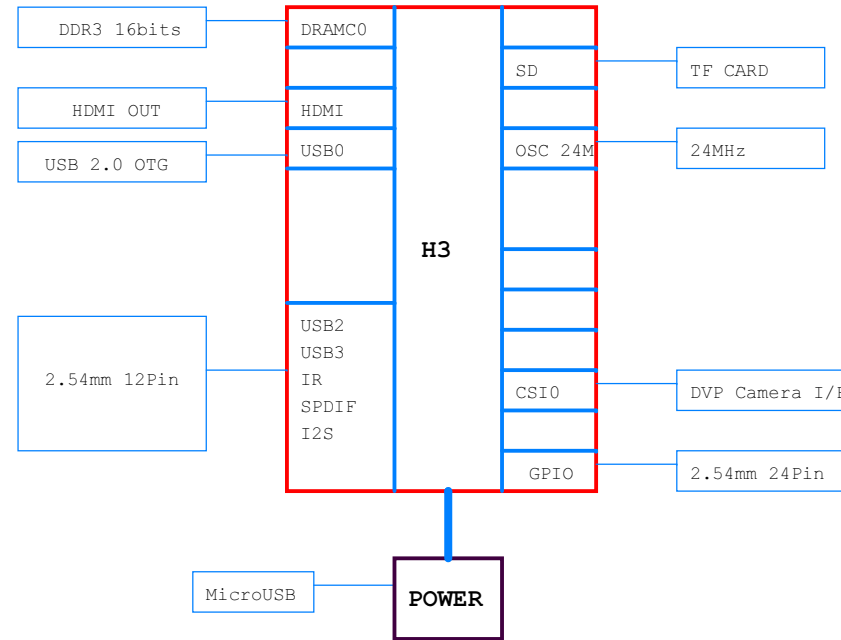
Revision

1608 , First Release
2017/05/18 rename net PWM1/GPIOA6 to GPIOA6

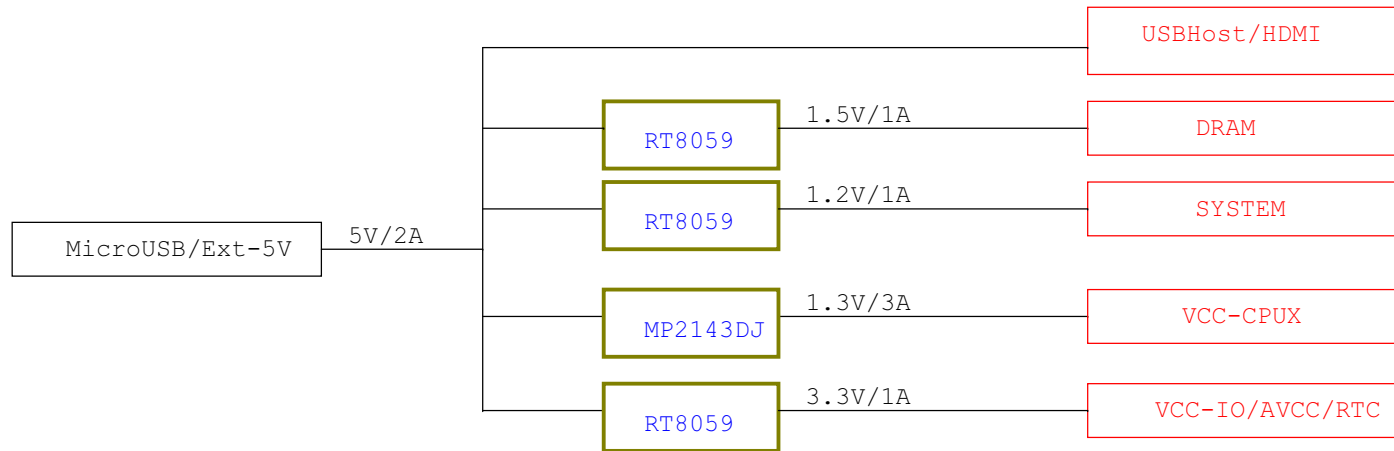


NanoPi NEO Air		
Size A3	Document Number 01:Title	Rev 1608
Date:	Thursday, May 18, 2017	Sheet 1 of 13

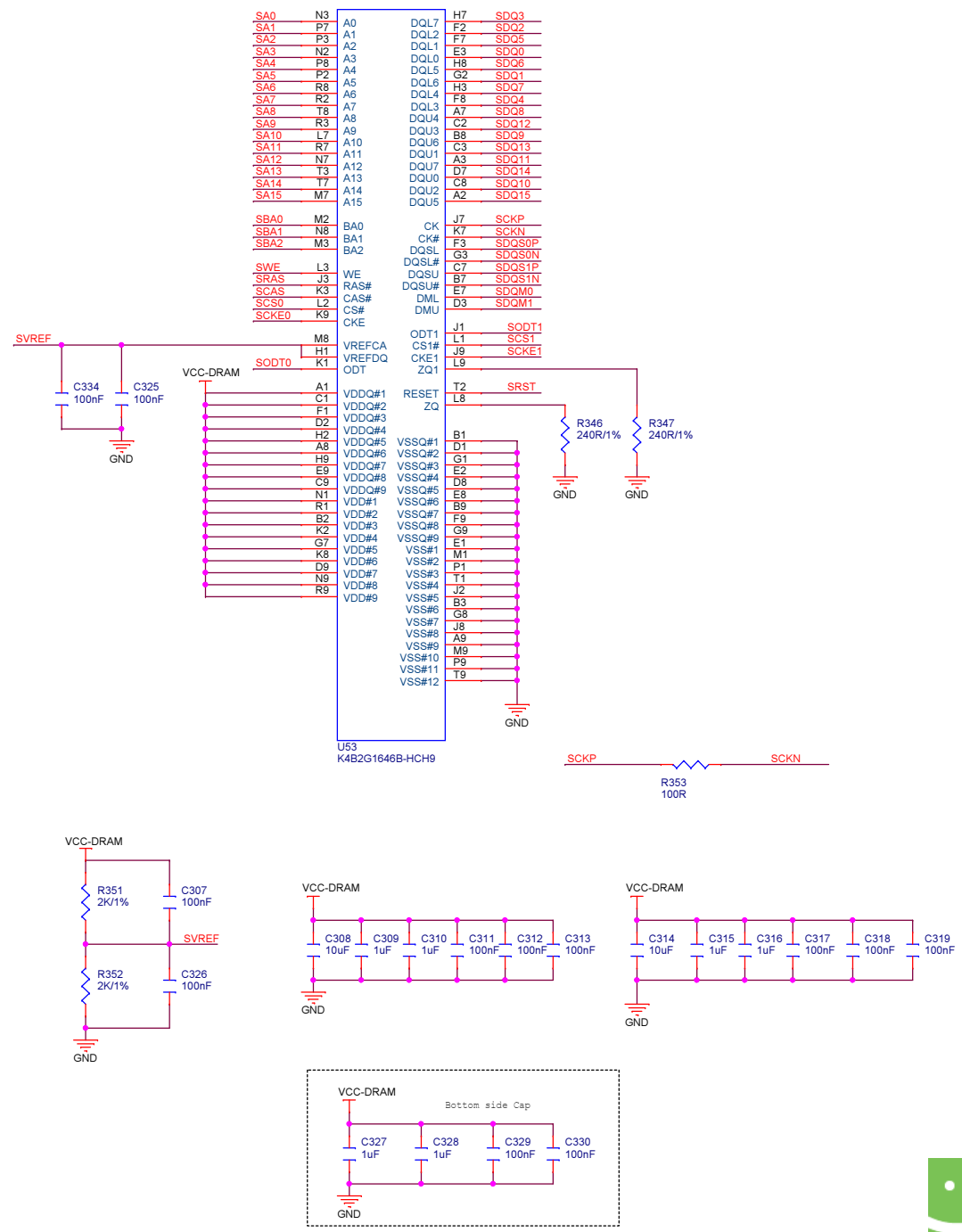
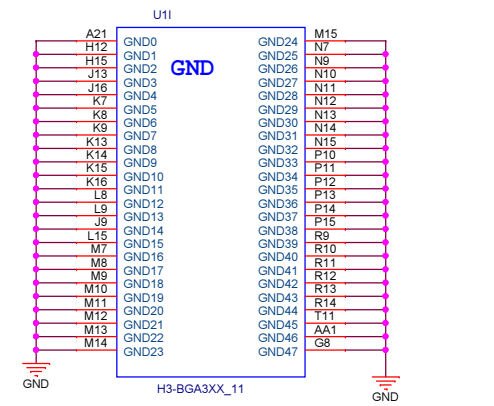
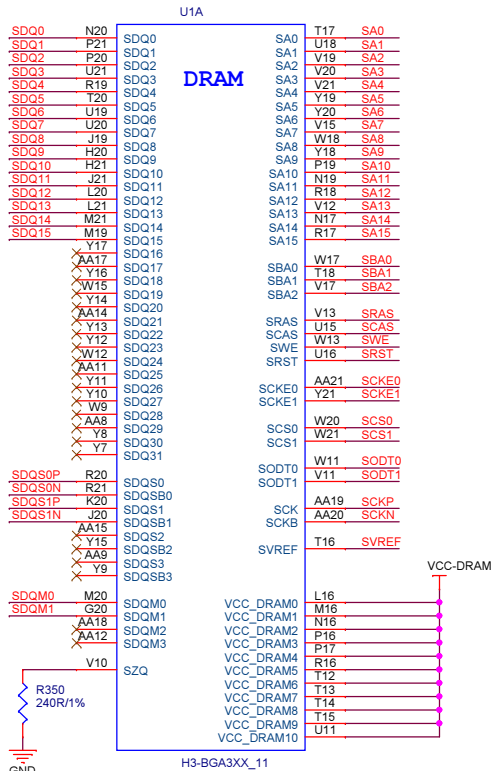
BLOCK



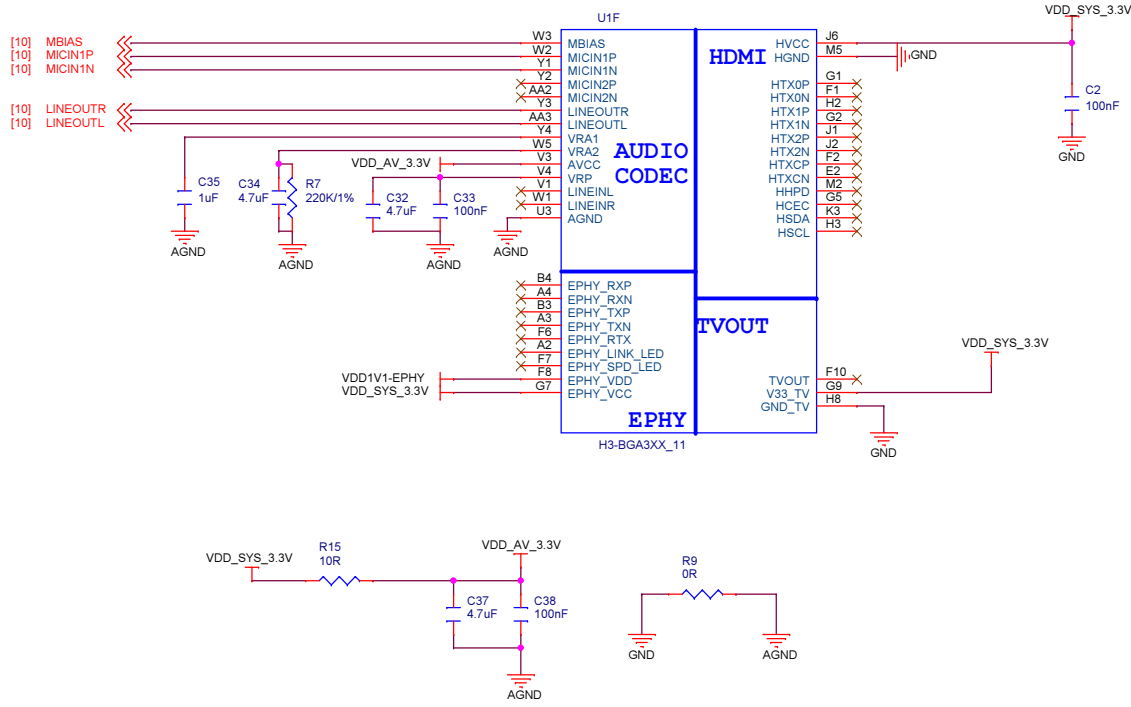
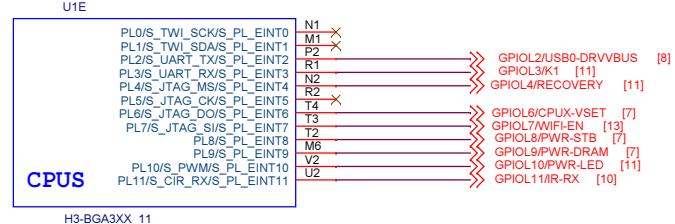
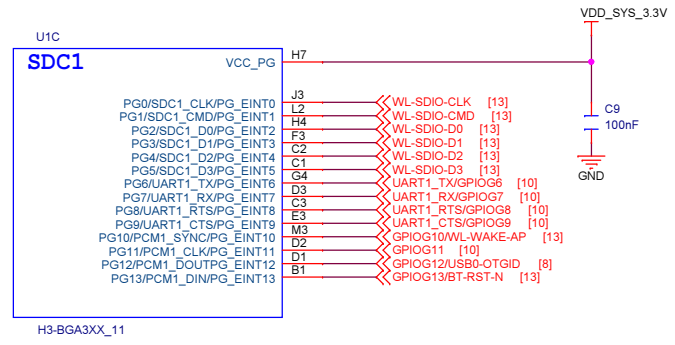
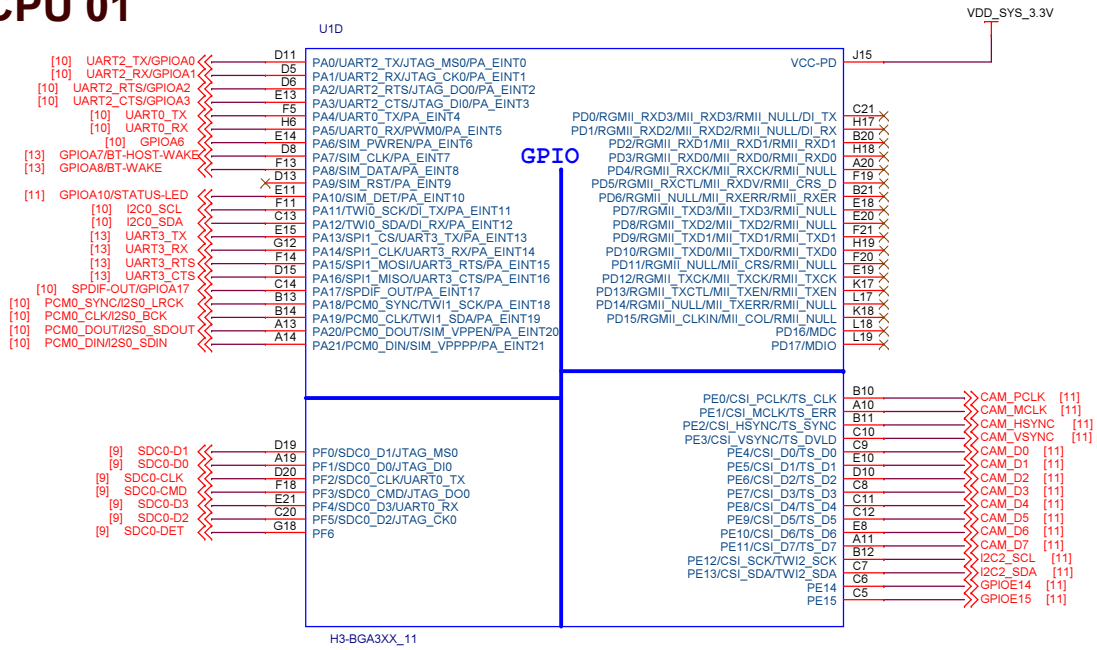
POWER TREE



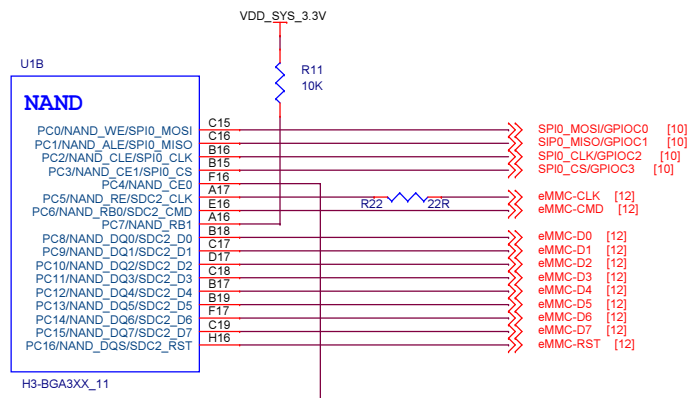
DDR3 16x1



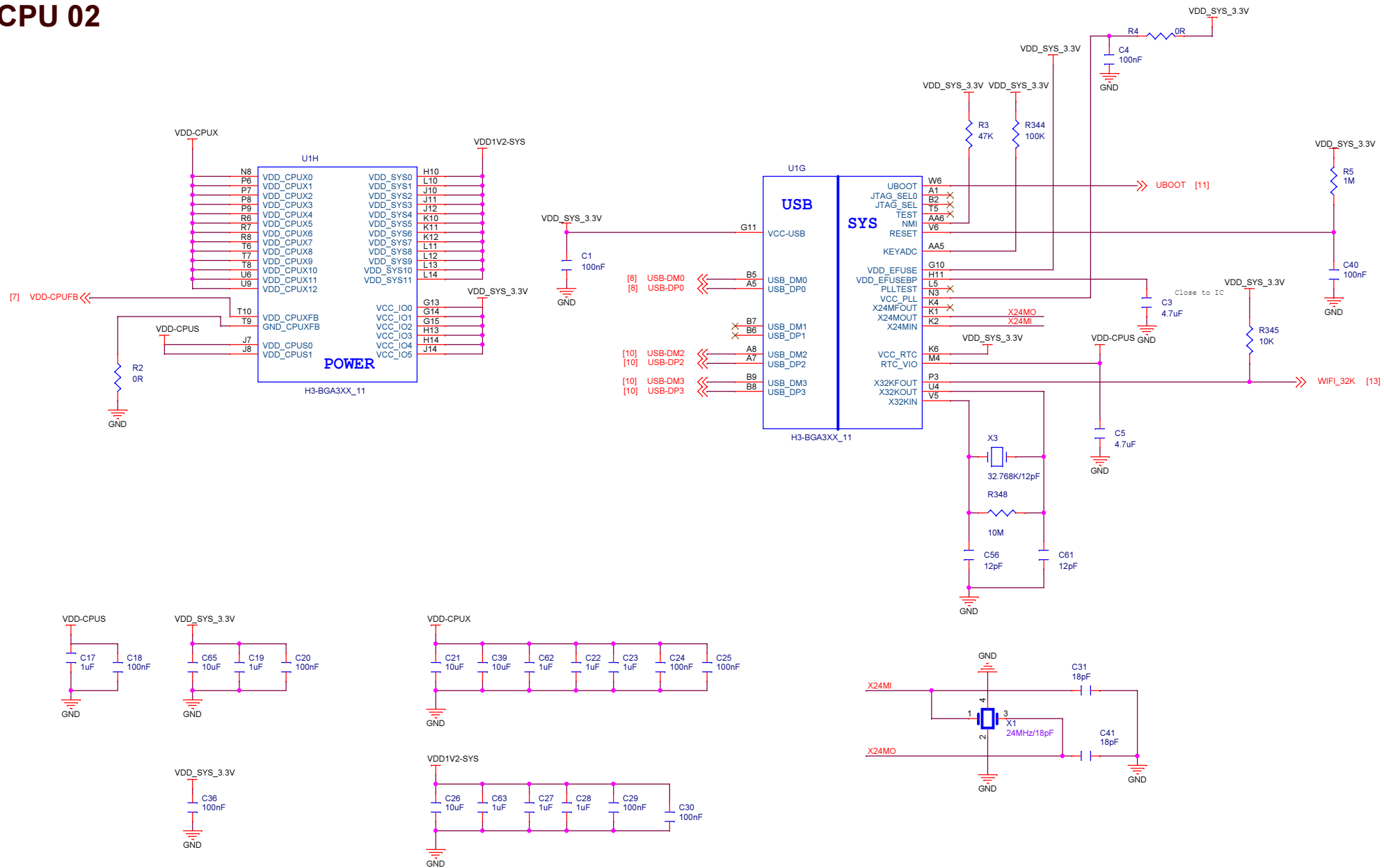
CPU 01



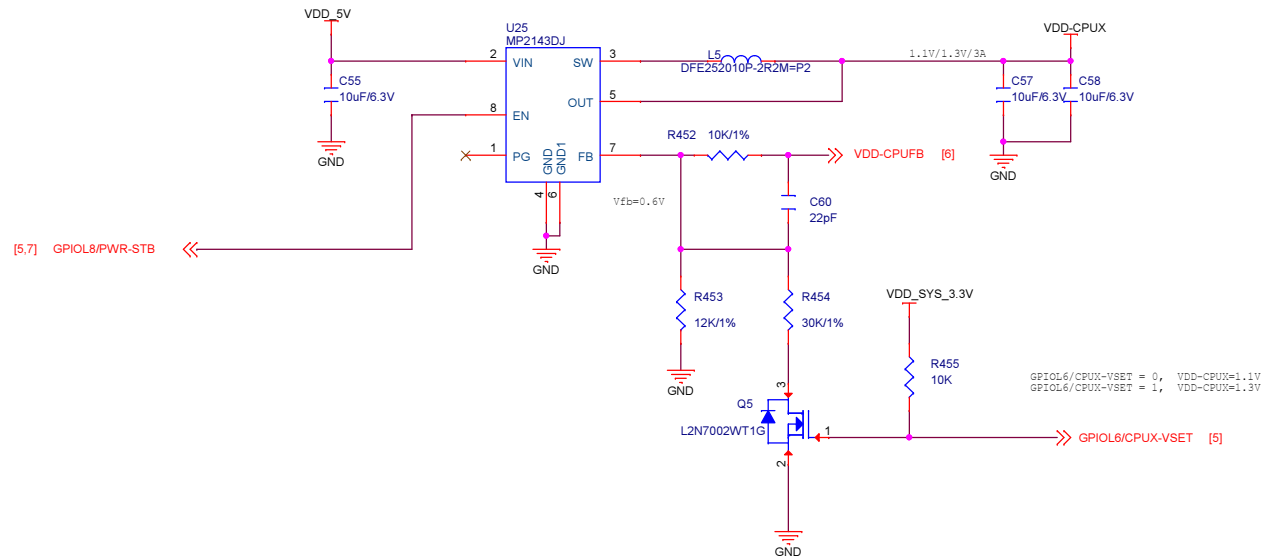
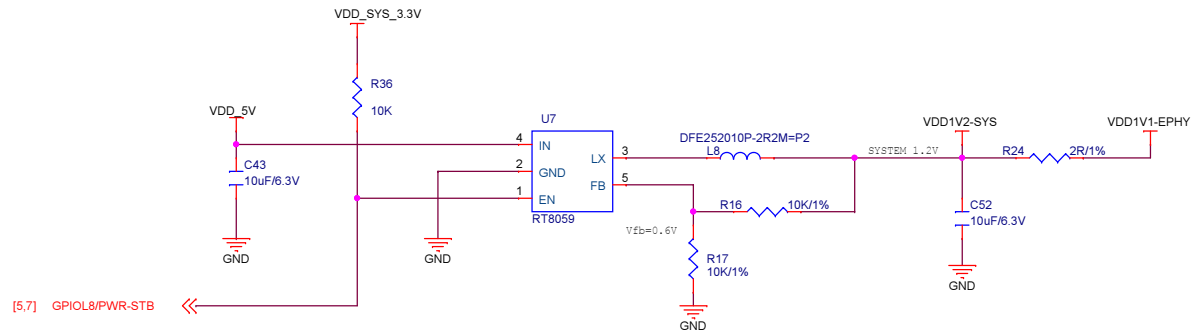
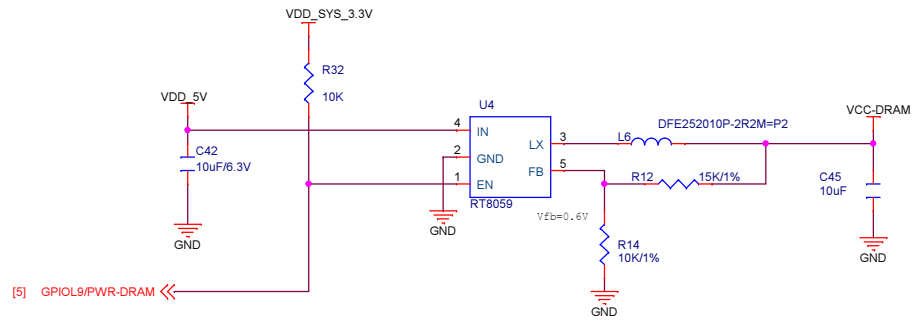
	PWRON/WORX	STANDBY	PWROFF
PWR-STB	1	0	0
PWR-DRAM	1	1	0



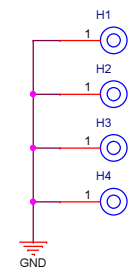
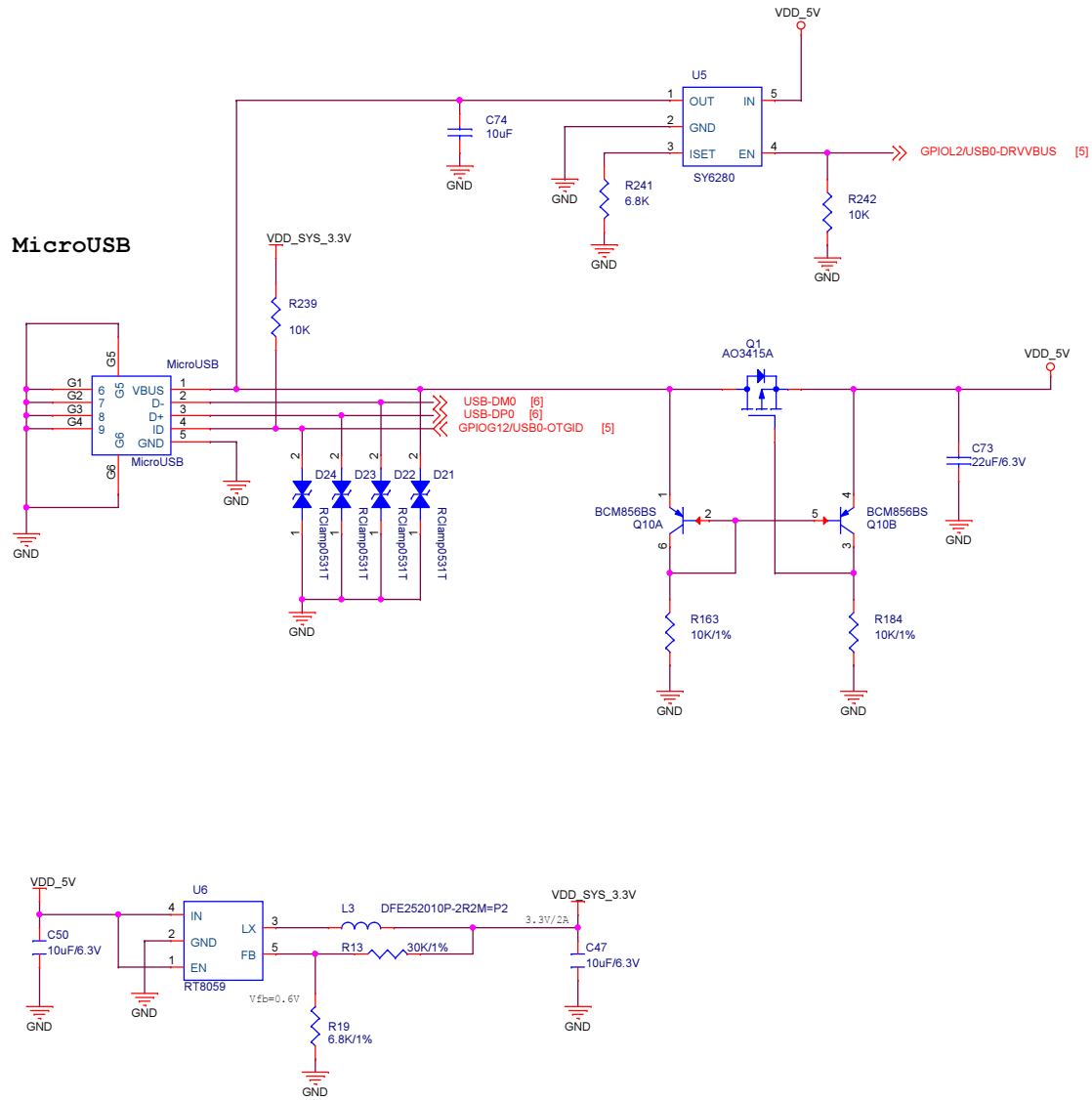
CPU 02



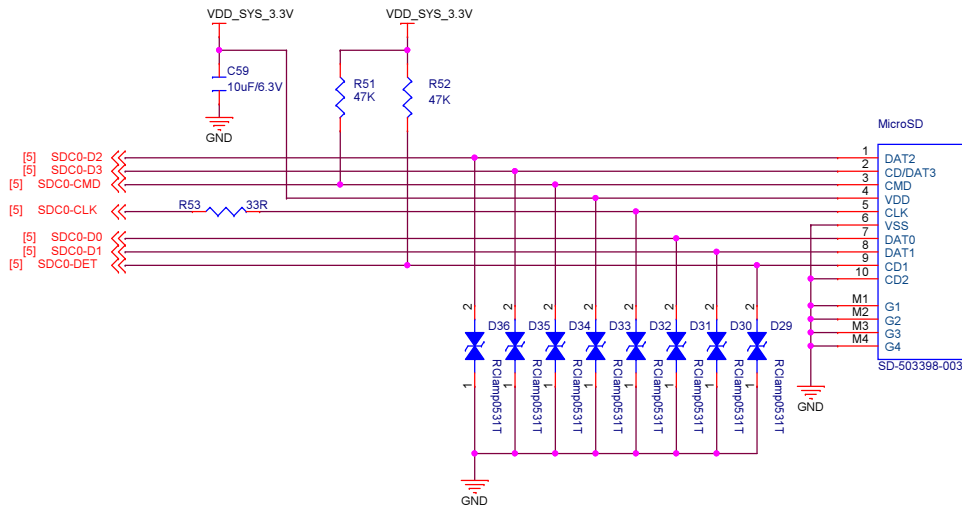
POWER 01



POWER 02

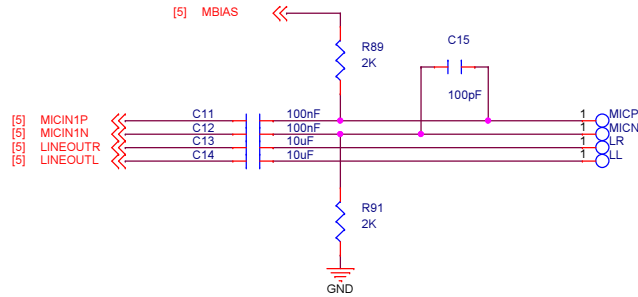
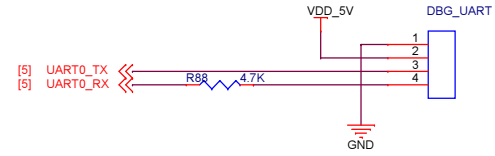
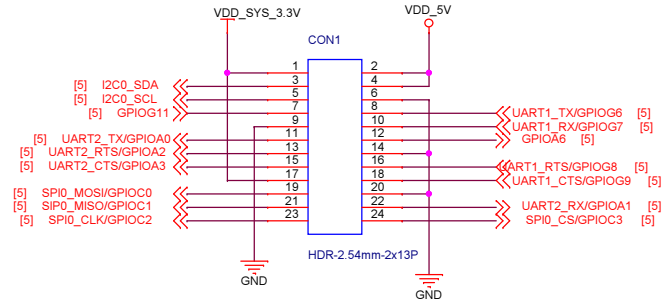


MicroSD

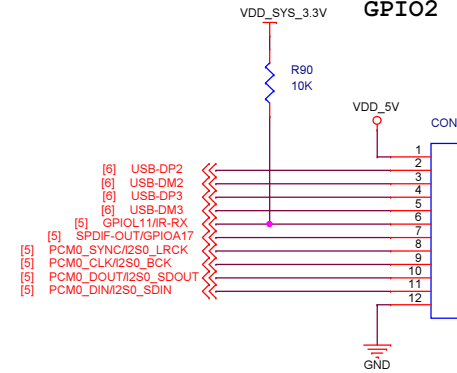


GPIO

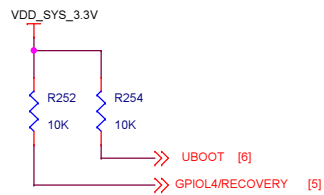
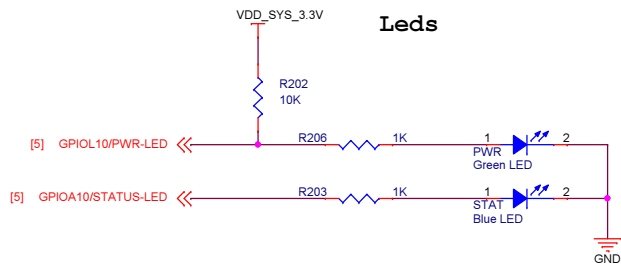
GPIO1



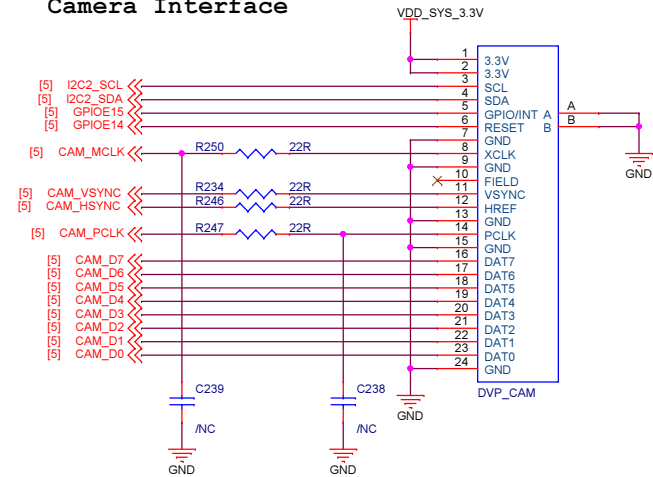
GPIO2



LEDs, LAN, Keys



Camera Interface



eMMC

