

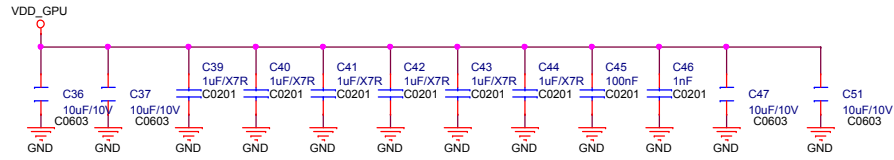
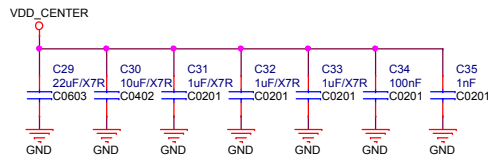
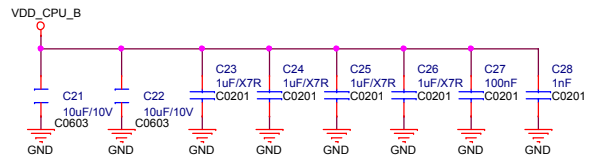
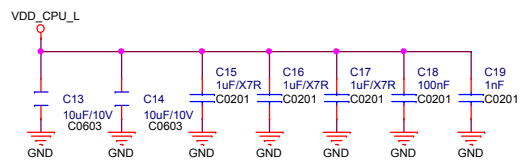
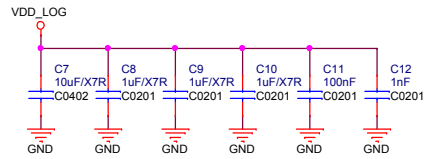
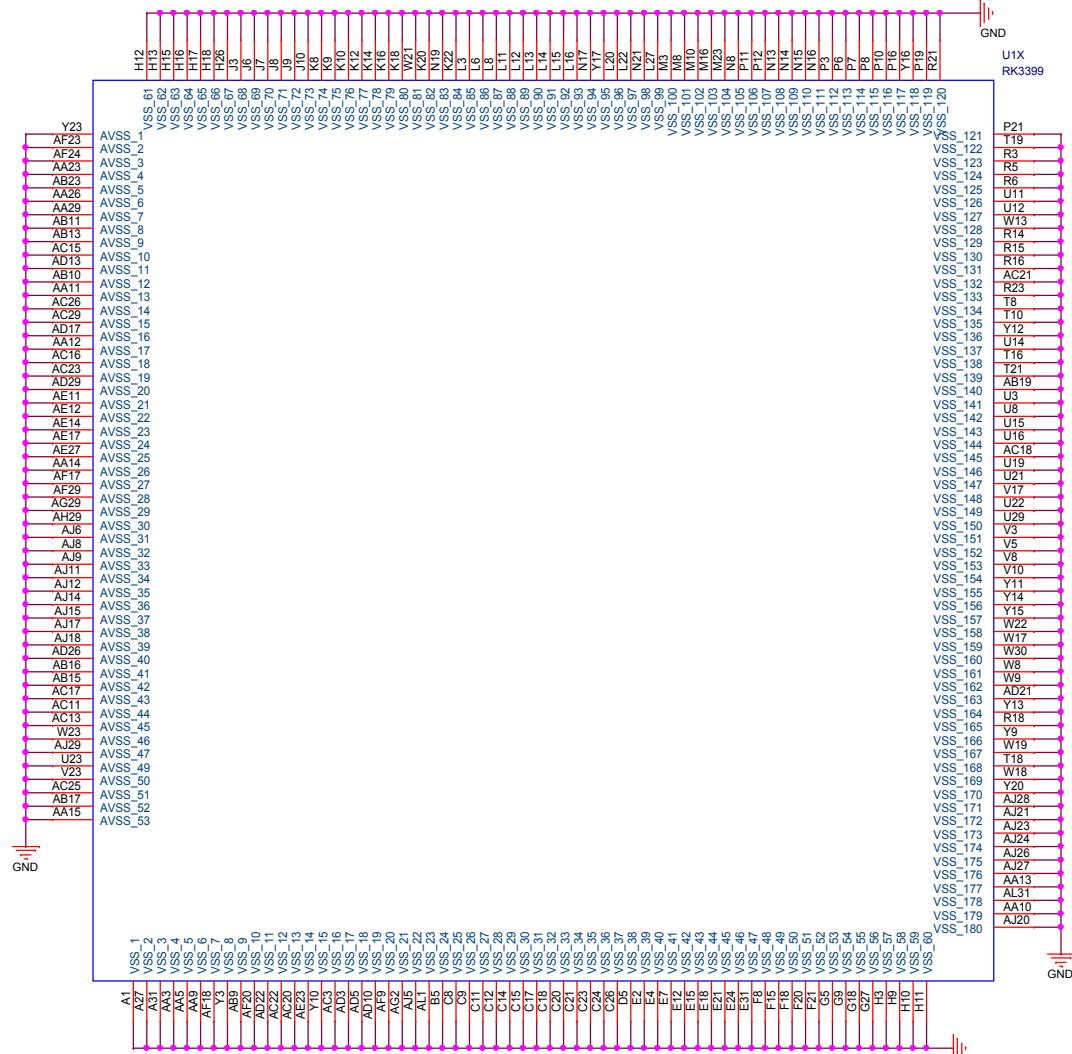
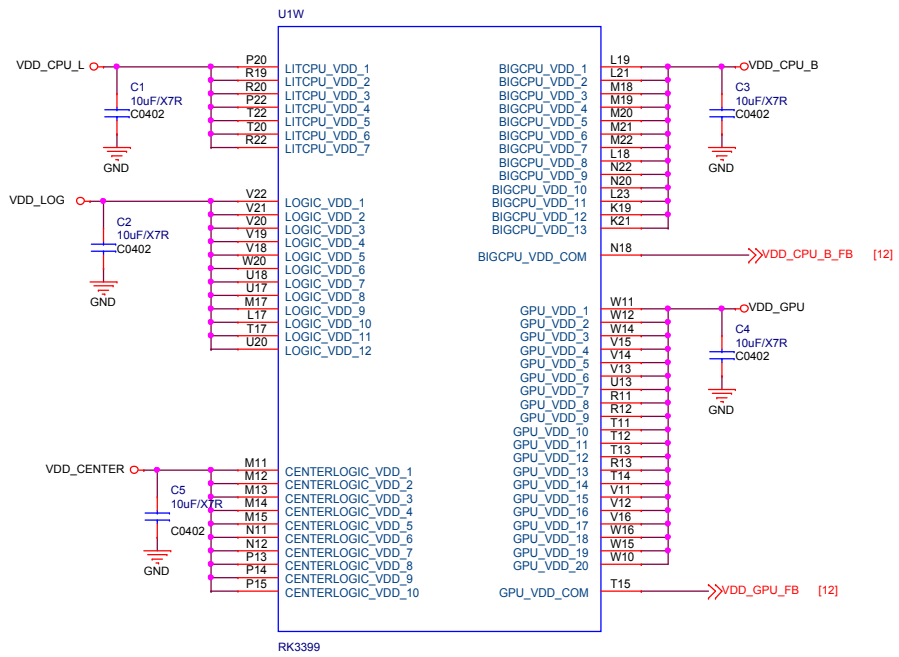
SOM-RK3399

Revision

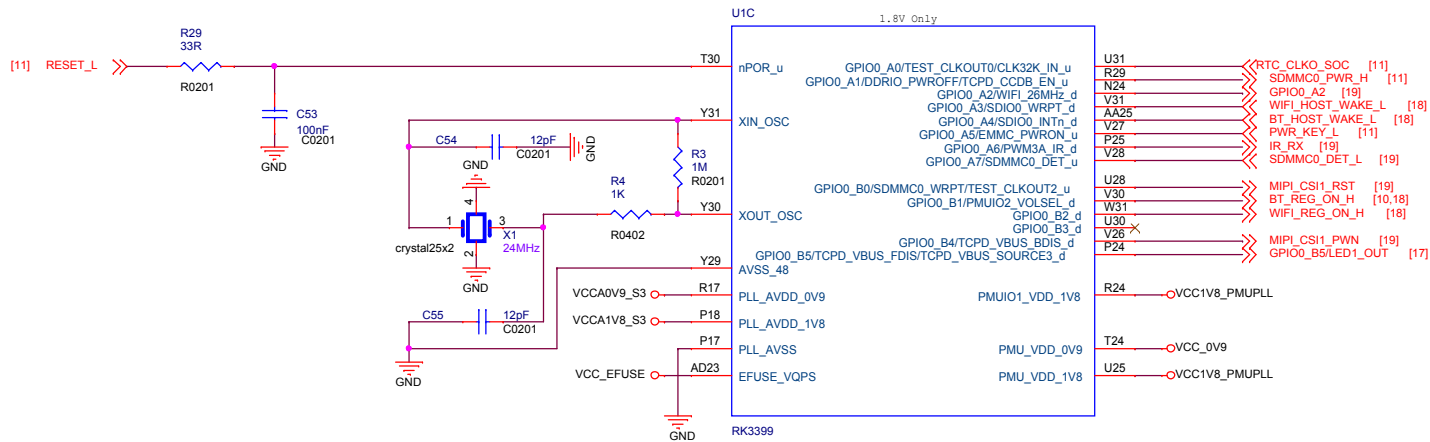
1904 , First Release

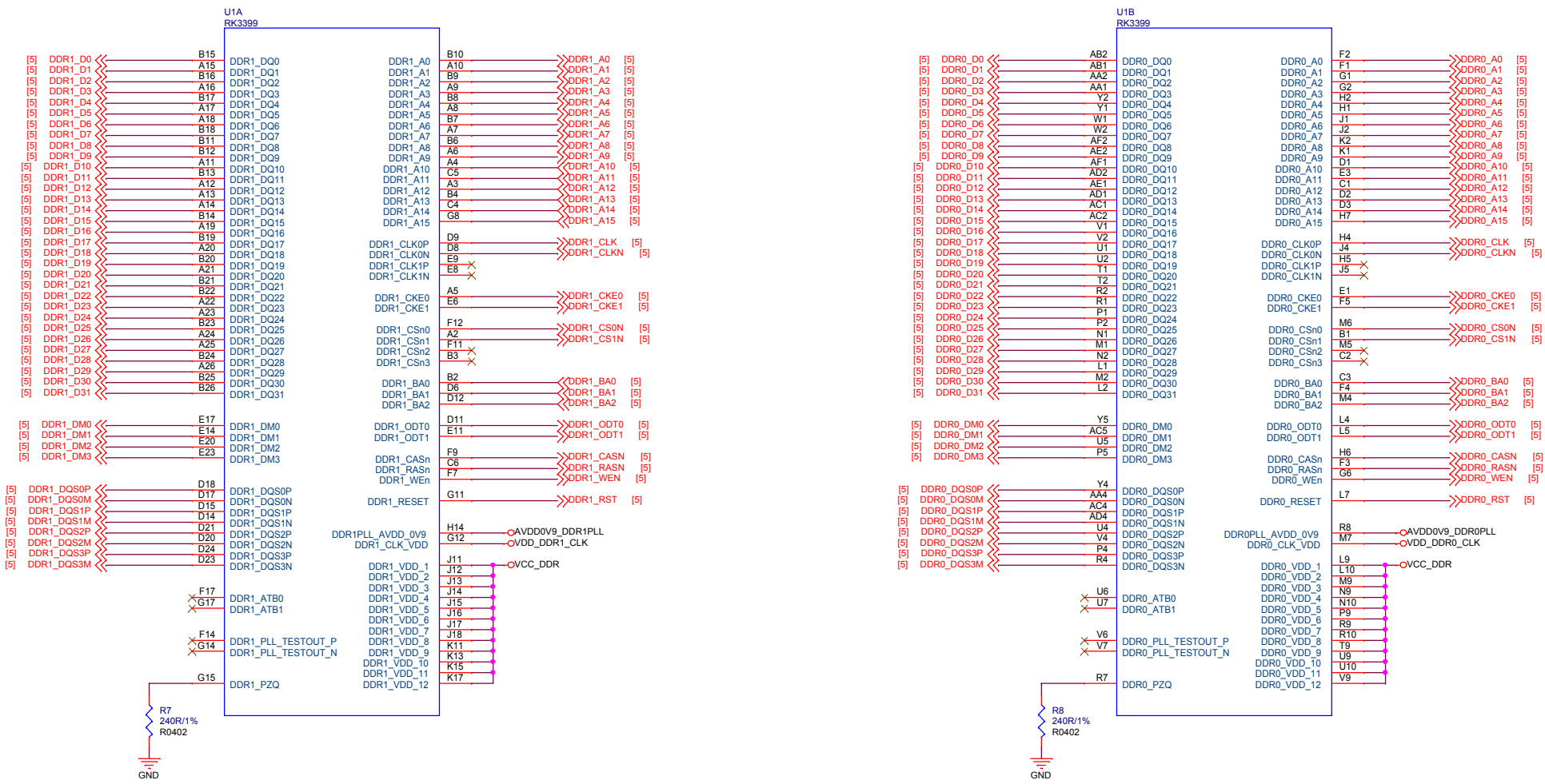


| | | |
|------------|-----------------------------|---------------|
| SOM-RK3399 | | |
| Size A3 | Document Number 01.Title | Rev 1904 |
| Date: | Wednesday, May 22, 2019 | Sheet 1 of 20 |

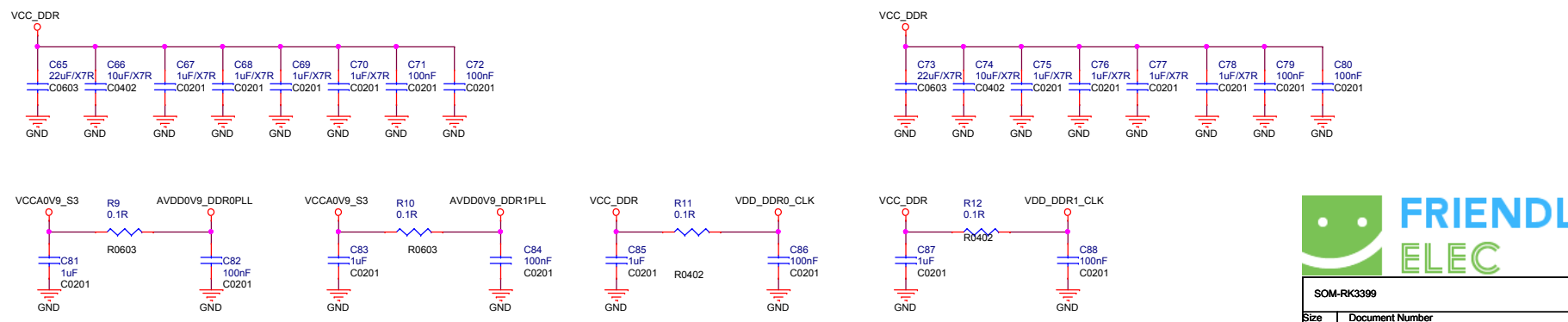


| | | |
|-------------------------------|---------------------------------|----------|
| SOM-RK3399 | | |
| Size A3 | Document Number 02.RK3399 Power | Rev 1904 |
| Date: Wednesday, May 22, 2019 | Sheet 2 of 20 | |

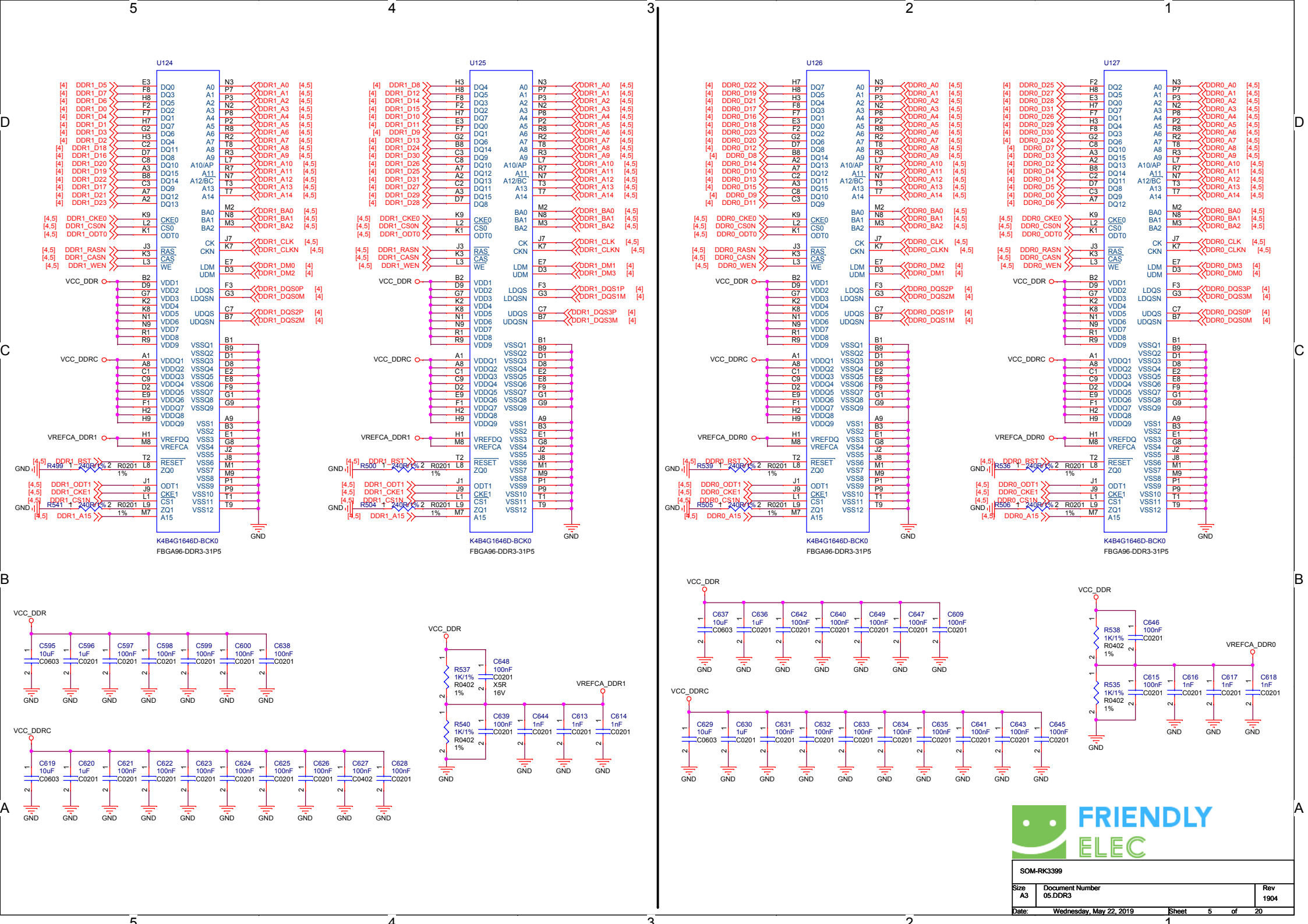


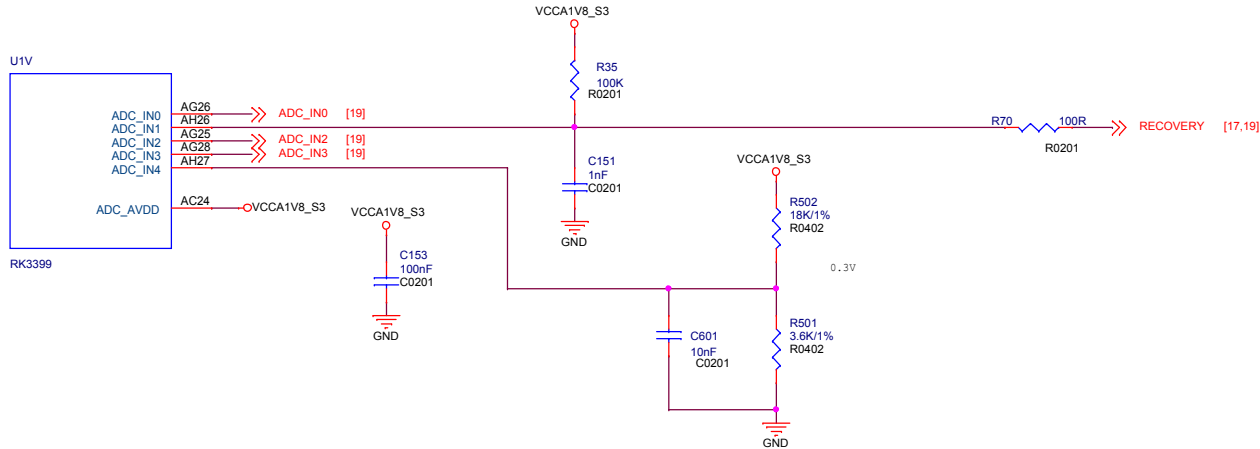
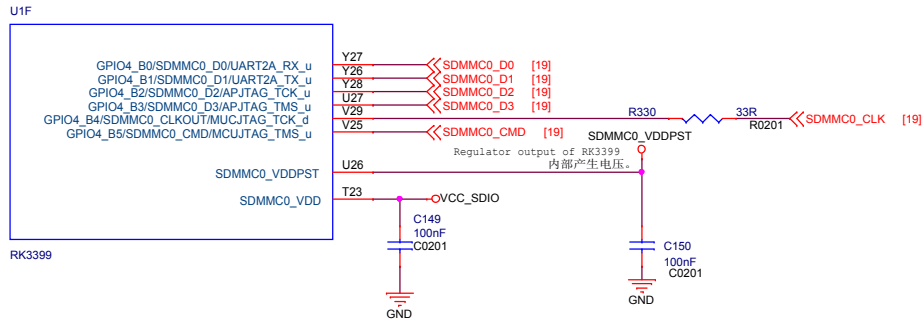
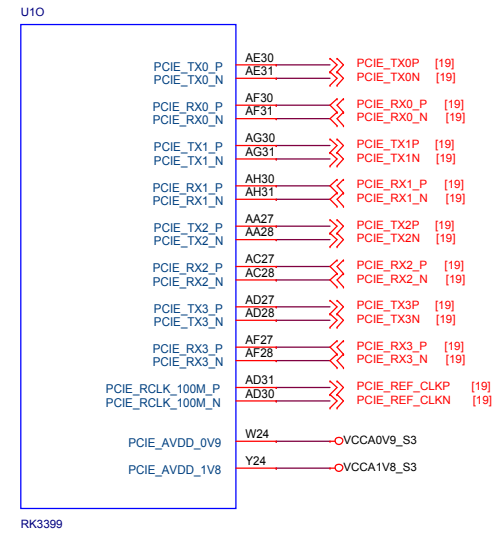
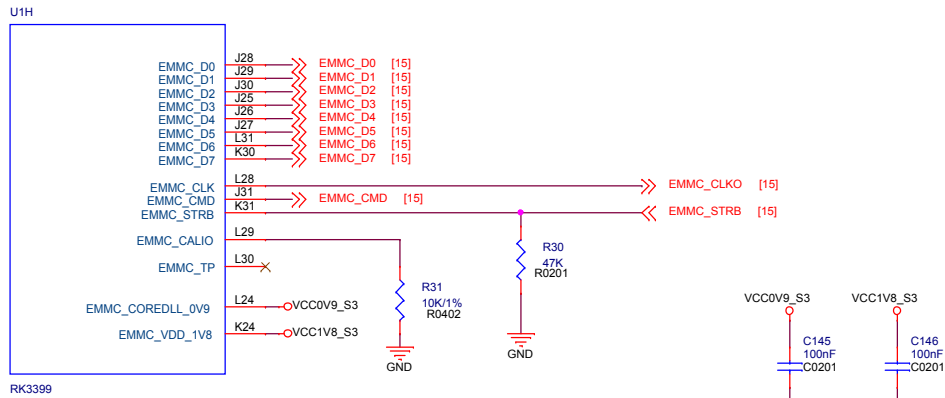


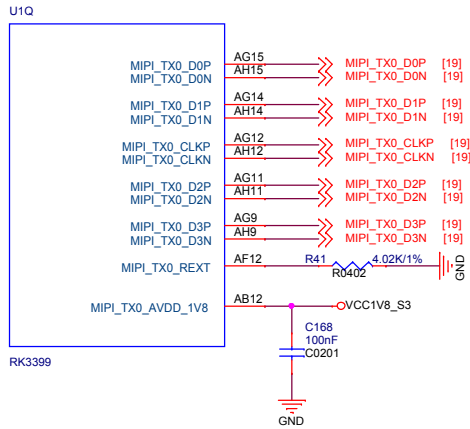
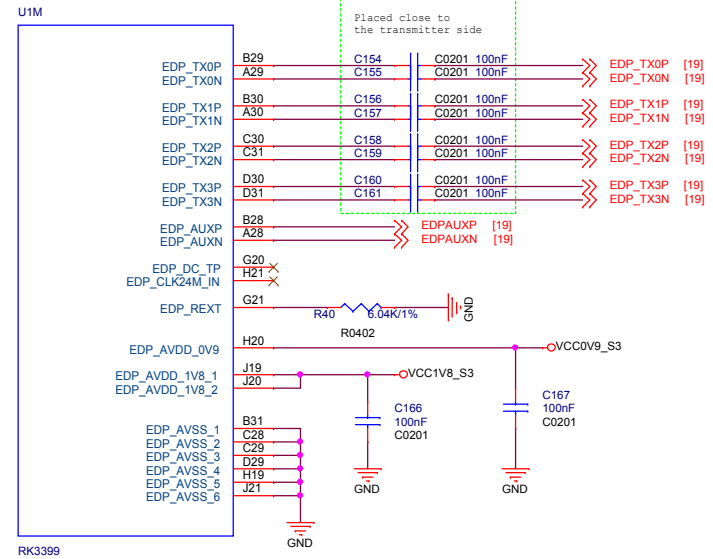
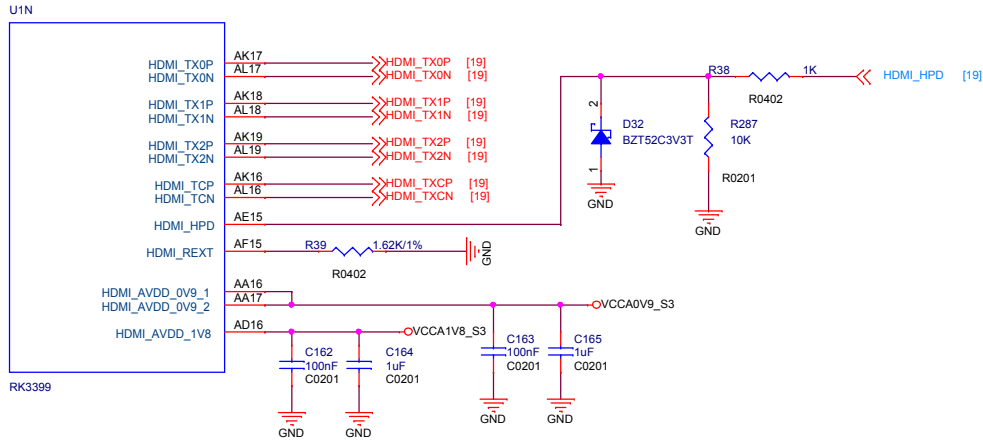
DDR FILTER



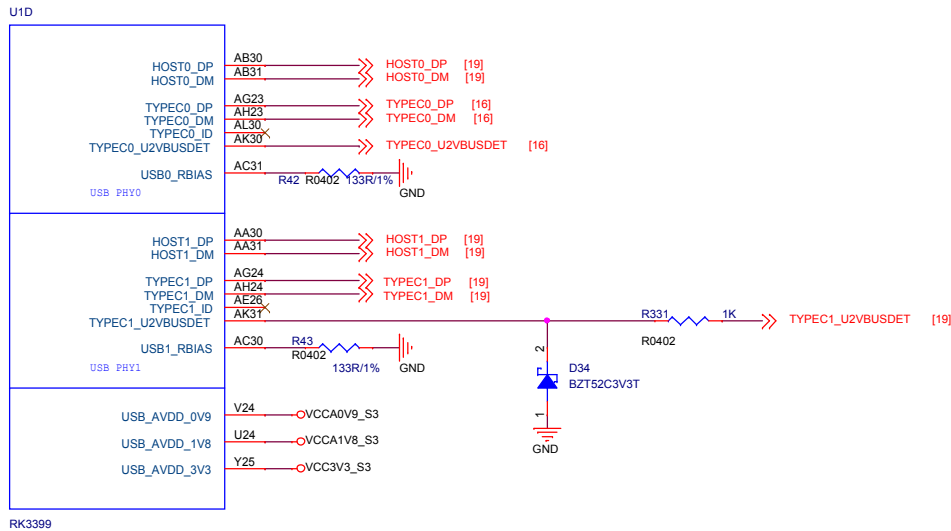
| | | |
|-------------------------------|--|----------|
| SOM-RK3399 | | |
| Size A3 | Document Number 04.RK3399 DDR Controller | Rev 1904 |
| Date: Wednesday, May 22, 2019 | Sheet 4 of 20 | |



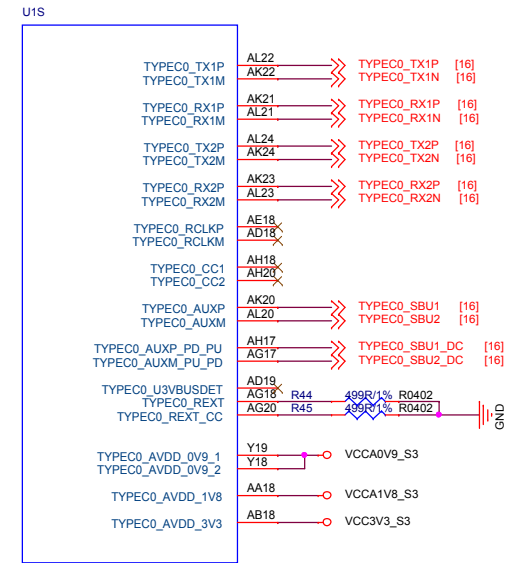
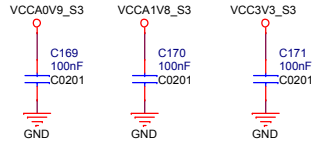




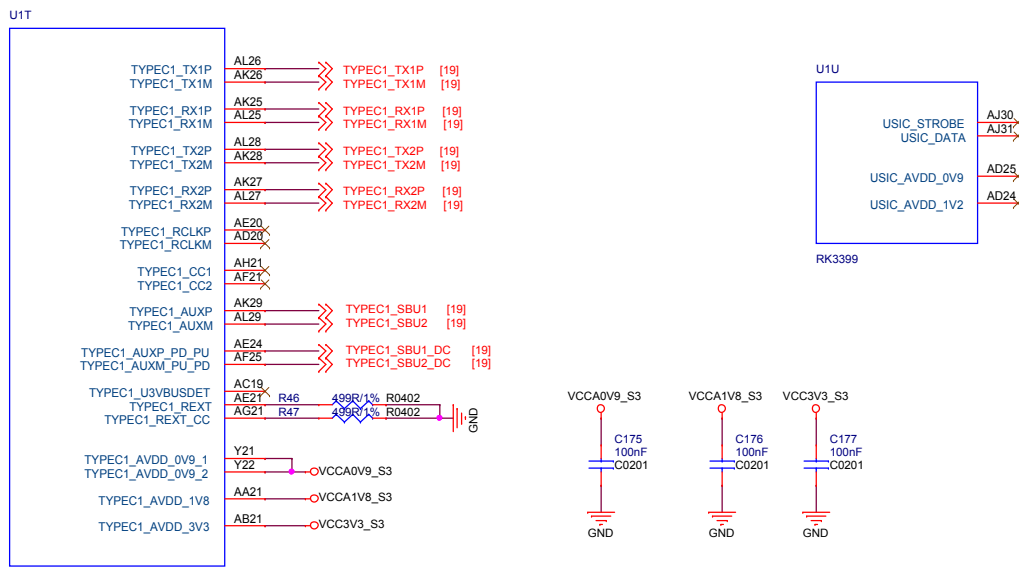
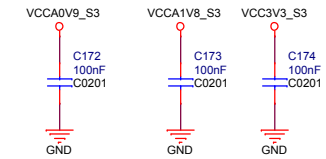
| | | |
|------------|-----------------------------|---------------|
| SOM-RK3399 | | |
| Size | Document Number | Rev |
| A3 | 07.RK3399 Display Interface | 1904 |
| Date: | Wednesday, May 22, 2019 | Sheet 7 of 20 |



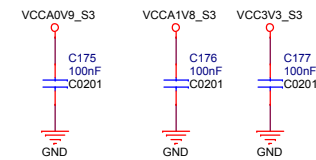
RK3399



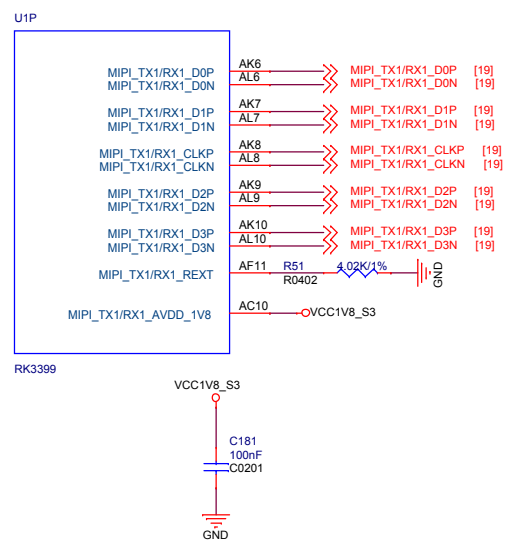
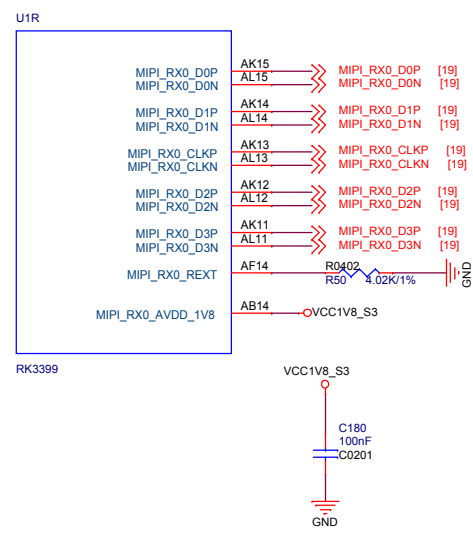
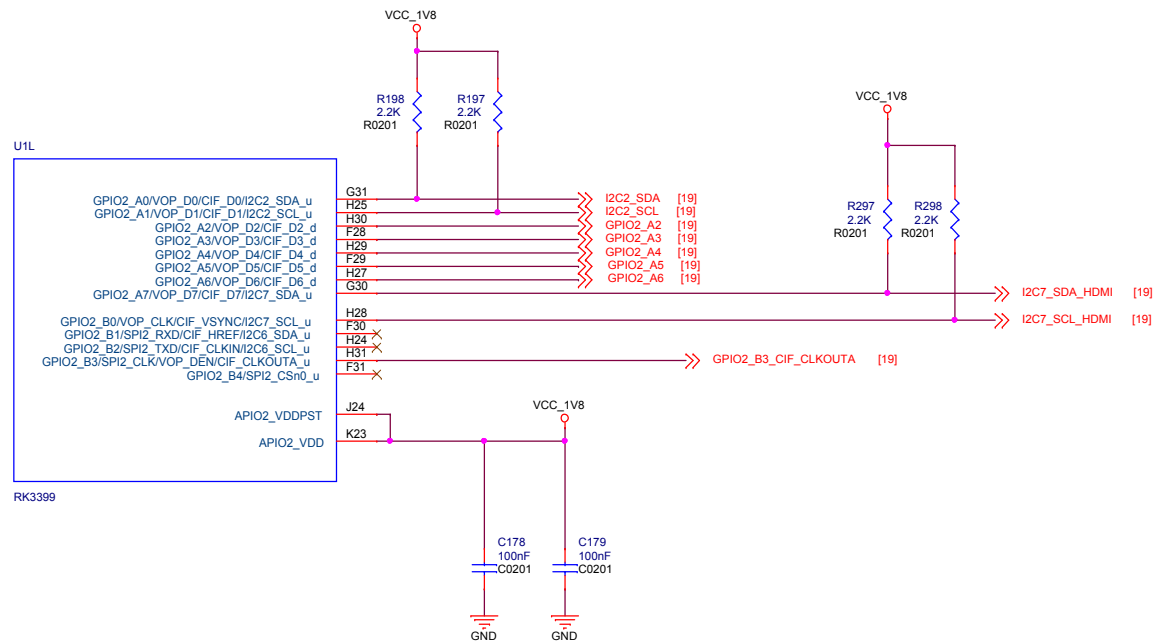
RK3399

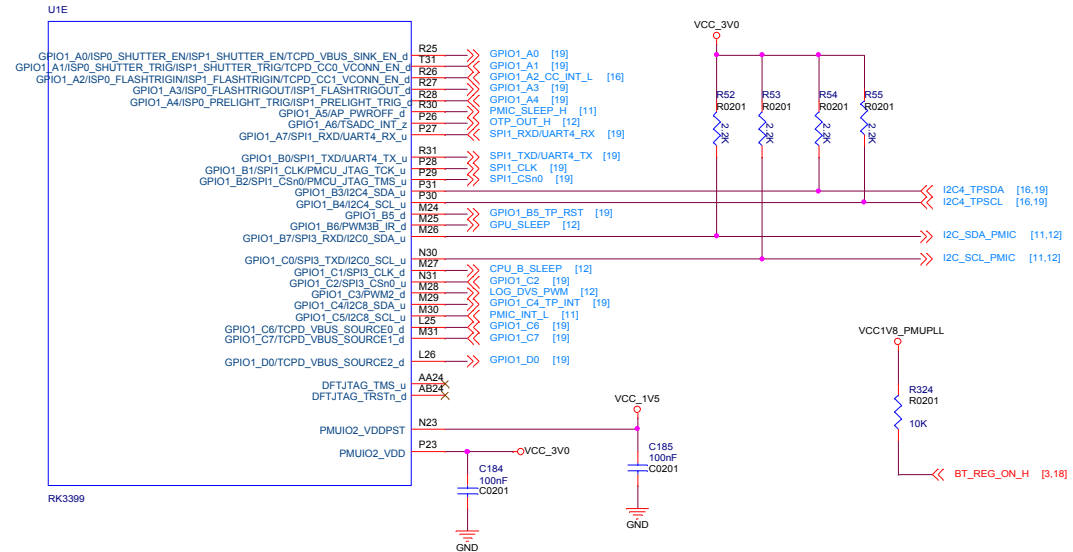
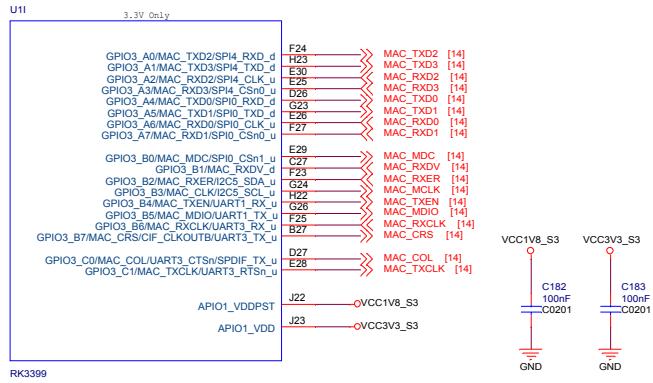


RK3399

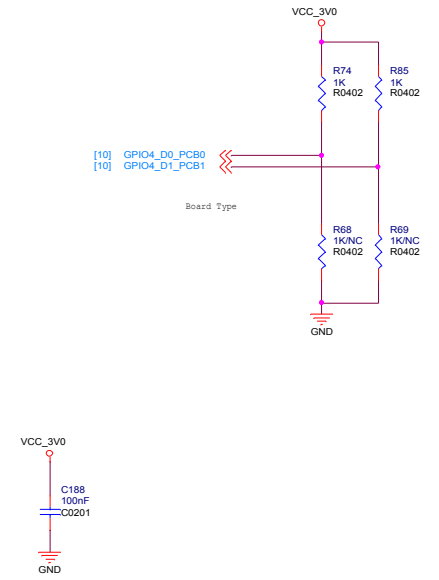
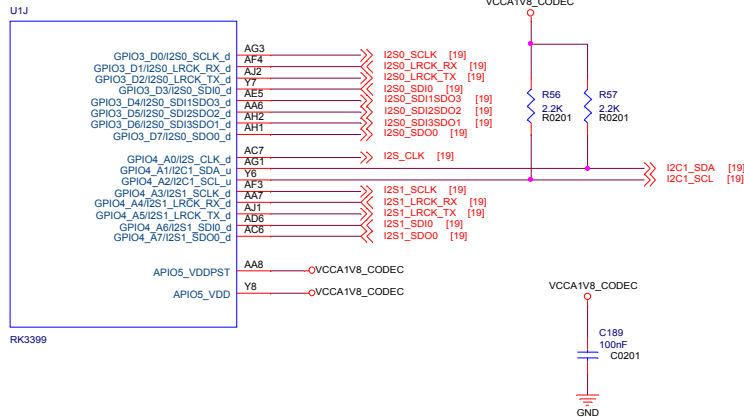
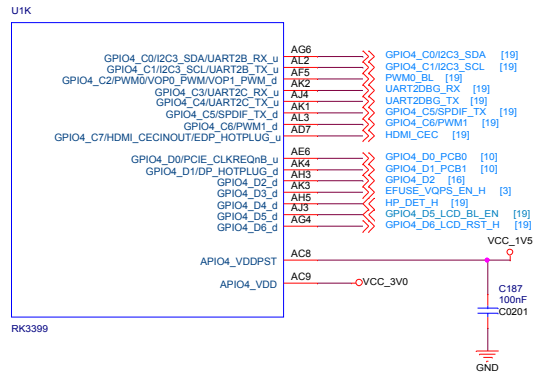
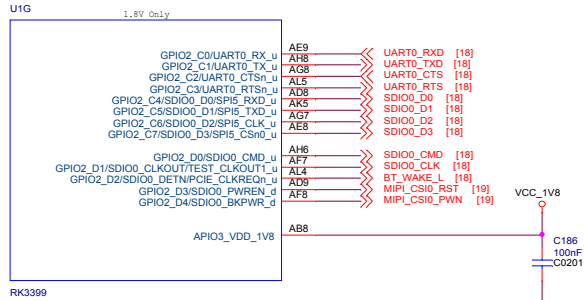


| | | |
|-------------------------------|---|----------|
| SOM-RK3399 | | |
| Size A3 | Document Number 09.RK3399 USB/USIC Controller | Rev 1904 |
| Date: Wednesday, May 22, 2019 | Sheet 8 | of 20 |

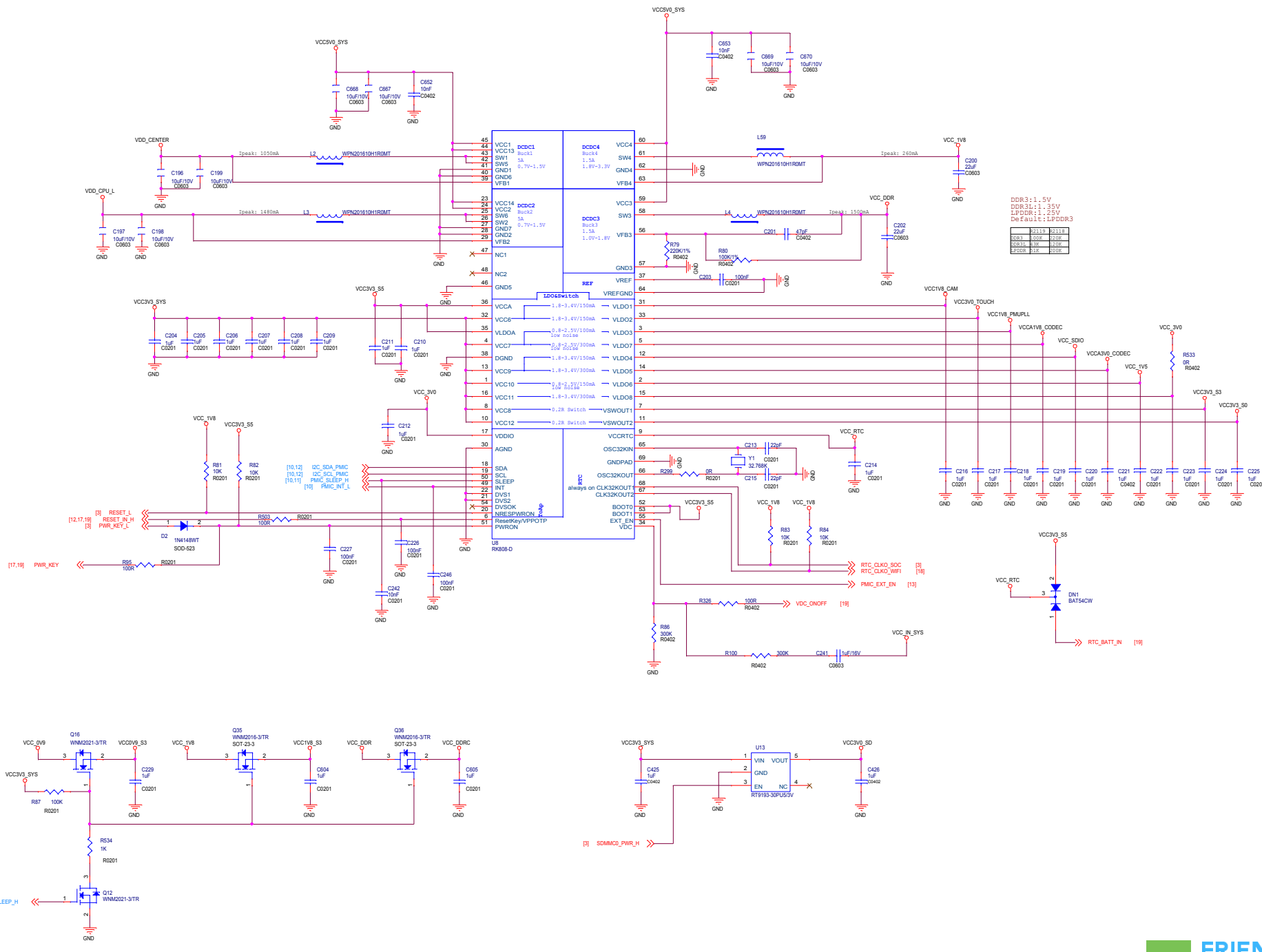




| | |
|-----------|--|
| 1.8V Only | VDDPST=VDDIO=1.8V |
| 3.3V Only | VDDPST=1.8V, VDDIO=3.3V |
| other | 3.0V mode: VDDPST=1.5V, VDDIO=3.0V 1.8V mode: VDDPST=1.8V, VDDIO=1.8V |



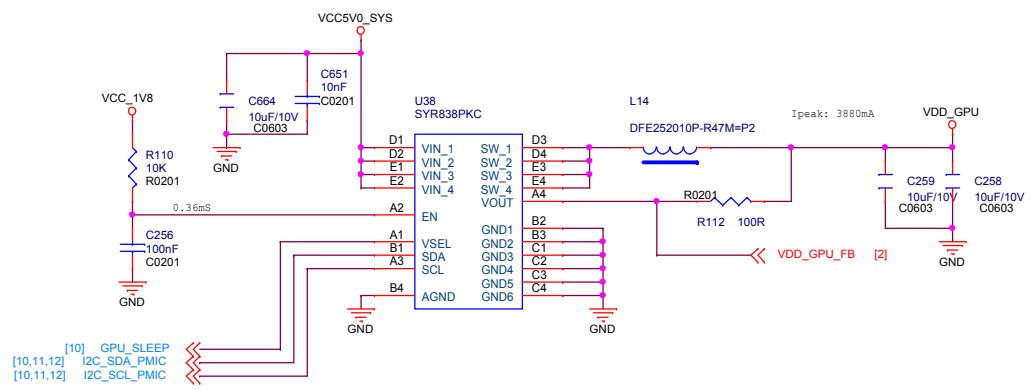
| | | |
|------------|------------------------------|----------------|
| SOM-RK3399 | | |
| Size | Document Number | Rev |
| Custom | 10.RK3399 RGMII/SDIO/SPI/etc | 1904 |
| Date: | Wednesday, May 22, 2019 | Sheet 10 of 20 |



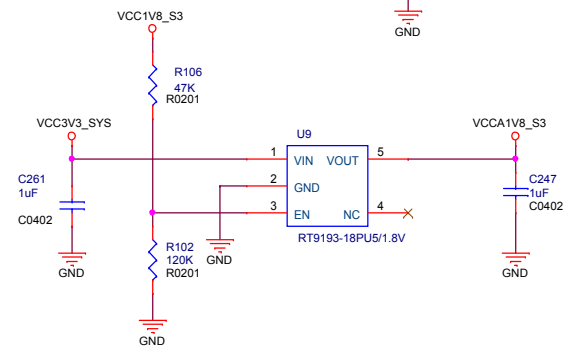
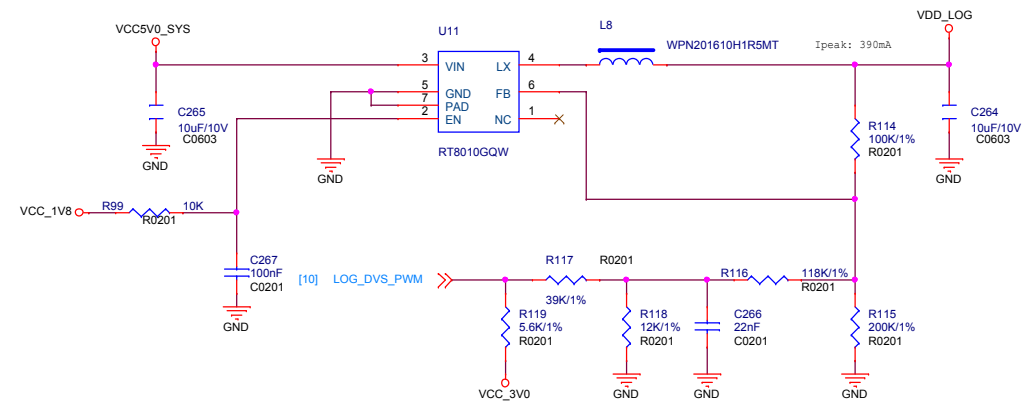
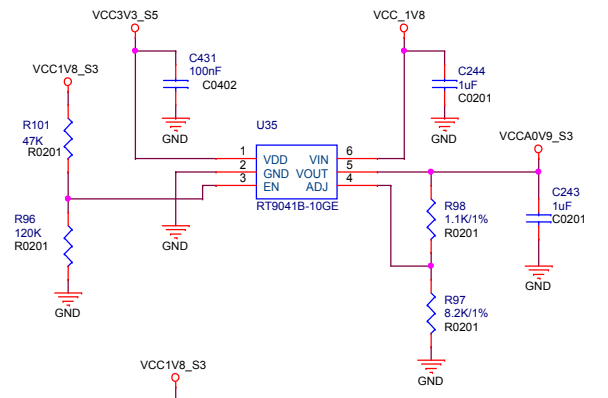
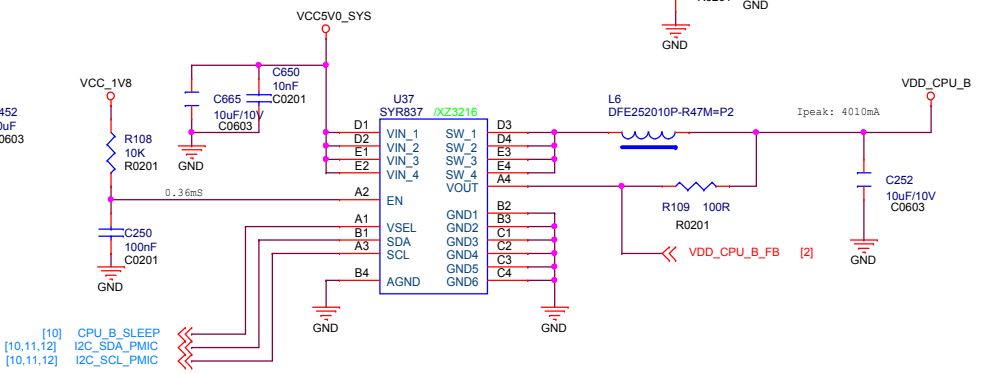
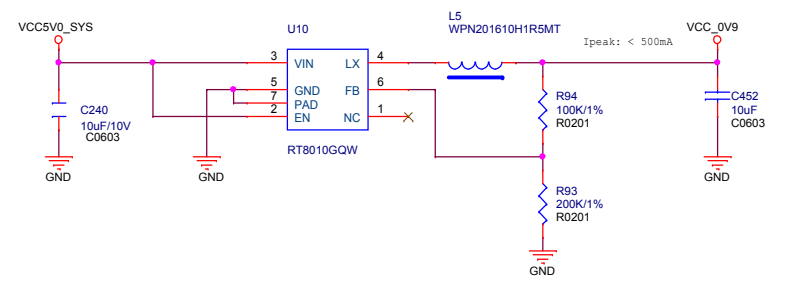
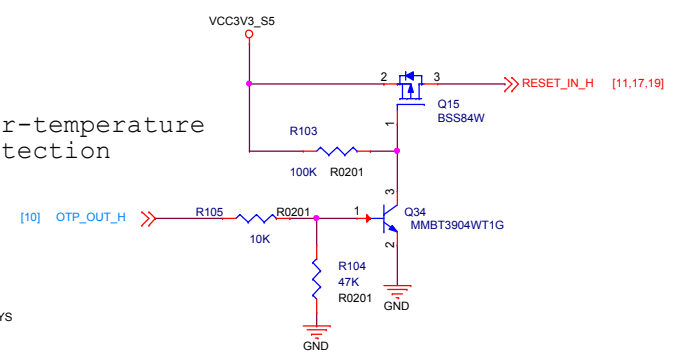
DCDC3: 1.5V
 DCDC3I1: 35V
 LPDDR: 1.25V
 Default: LPDDR3

| Q13 | Q14 | Q15 | Q16 |
|-----|-----|-----|-----|
| Q13 | Q14 | Q15 | Q16 |
| Q13 | Q14 | Q15 | Q16 |
| Q13 | Q14 | Q15 | Q16 |

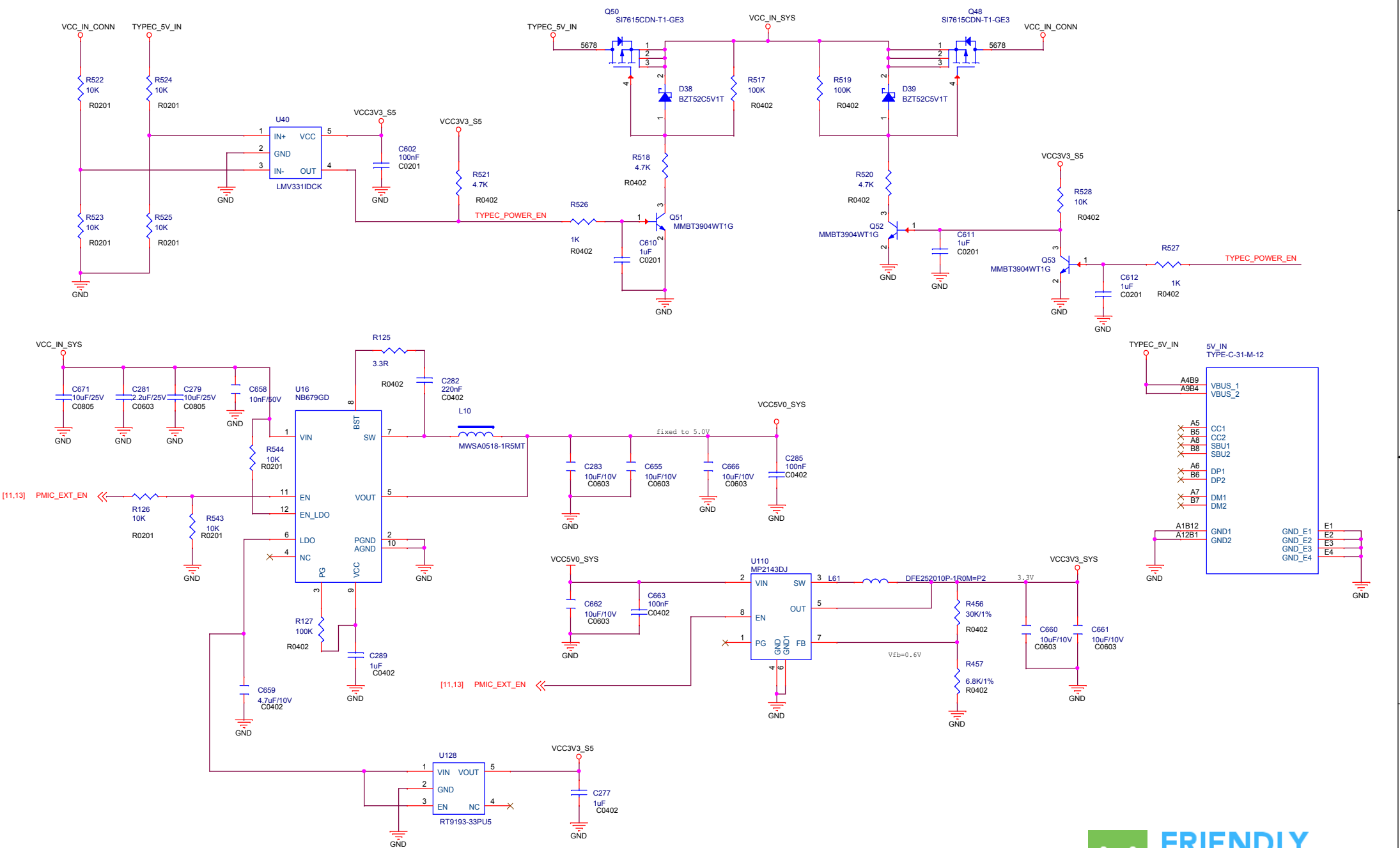




Over-temperature Protection

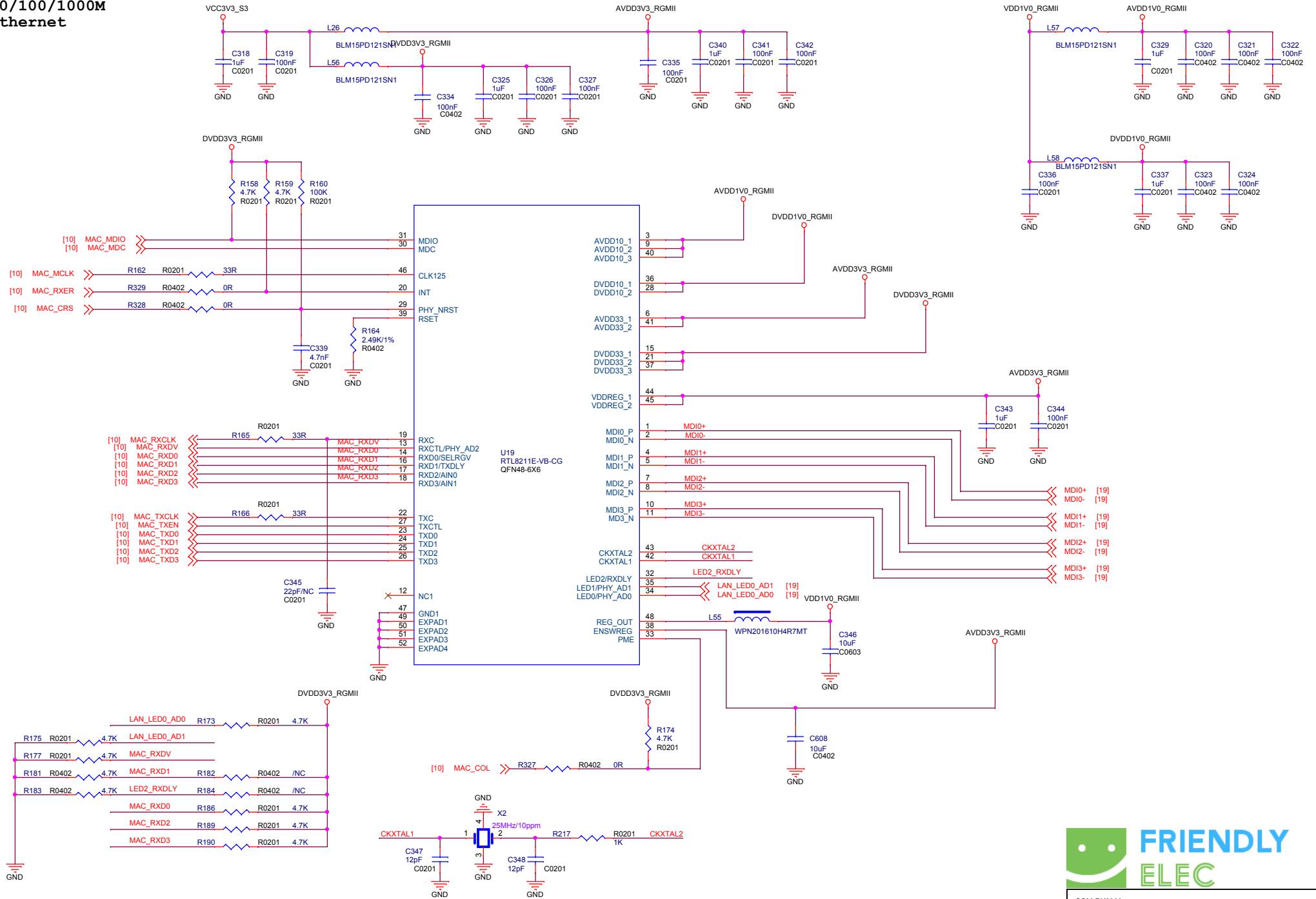


| | | |
|------------|--|----------------|
| SOM-RK3399 | | |
| Size A3 | Document Number 12.Power2-CPU/GPU/etc | Rev 1904 |
| Date: | Wednesday, May 22, 2019 | Sheet 12 of 20 |

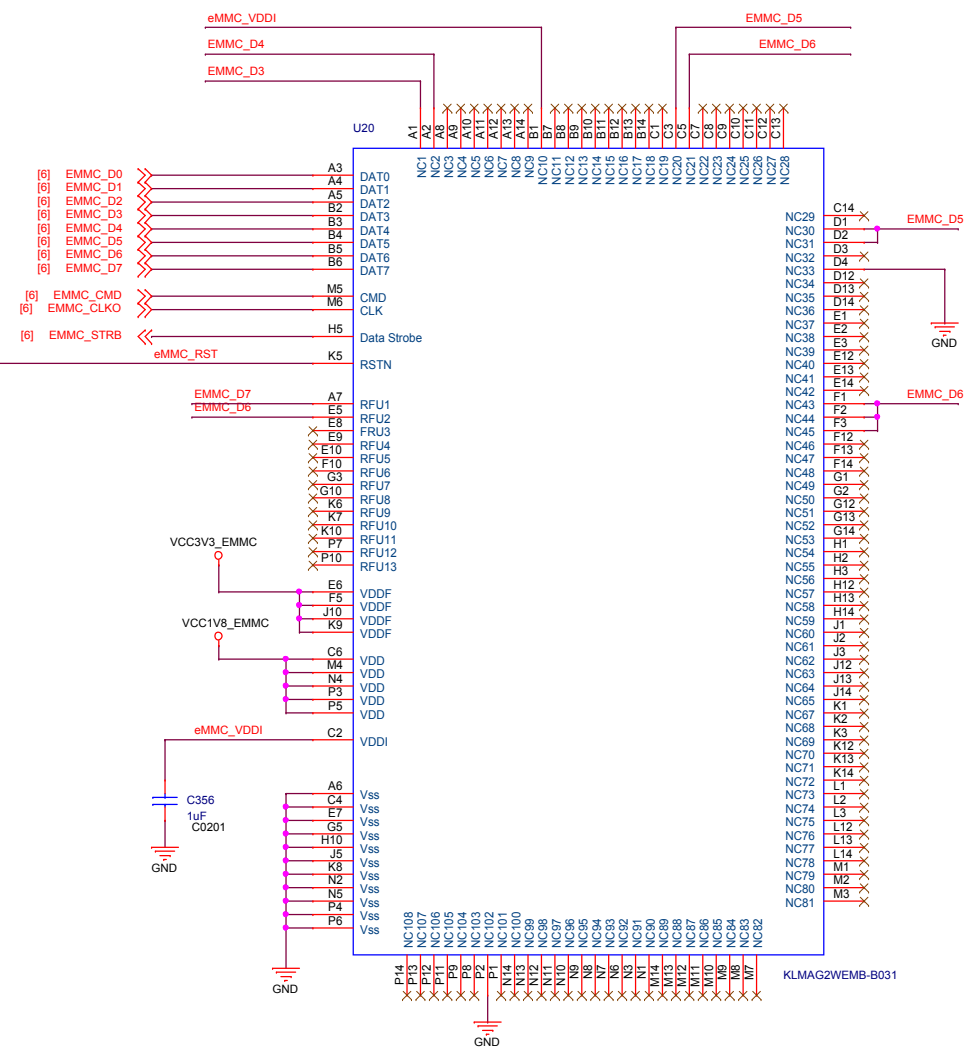
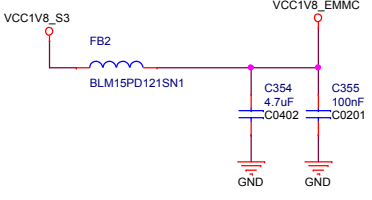
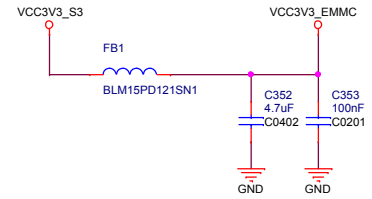
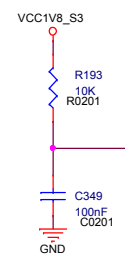
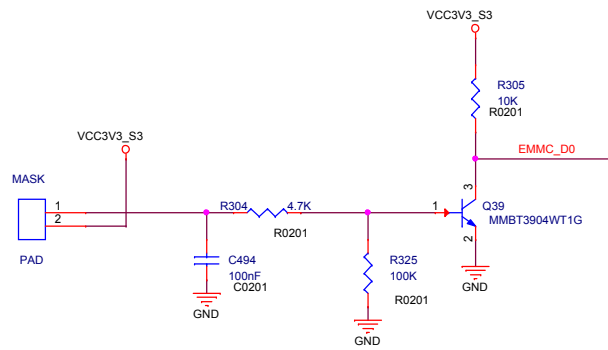


| | | |
|----------------------------------|--------------------------------------|-------------|
| SOM-RK3399 | | |
| Size A3 | Document Number 13.Power3-3.3V/5V | Rev 1904 |
| Date: Wednesday, May 22, 2019 | Sheet 13 | of 20 |

10/100/1000M Ethernet

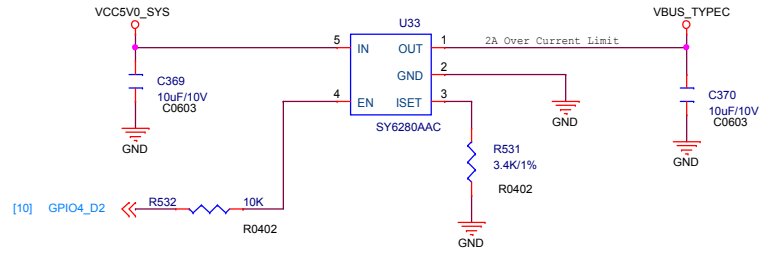
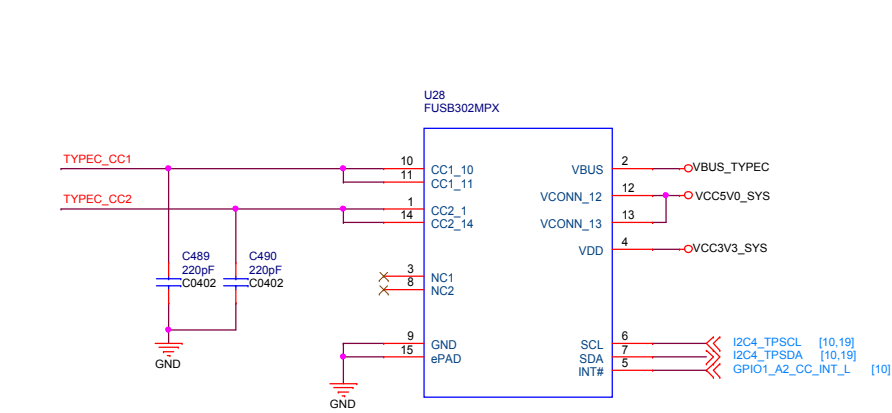
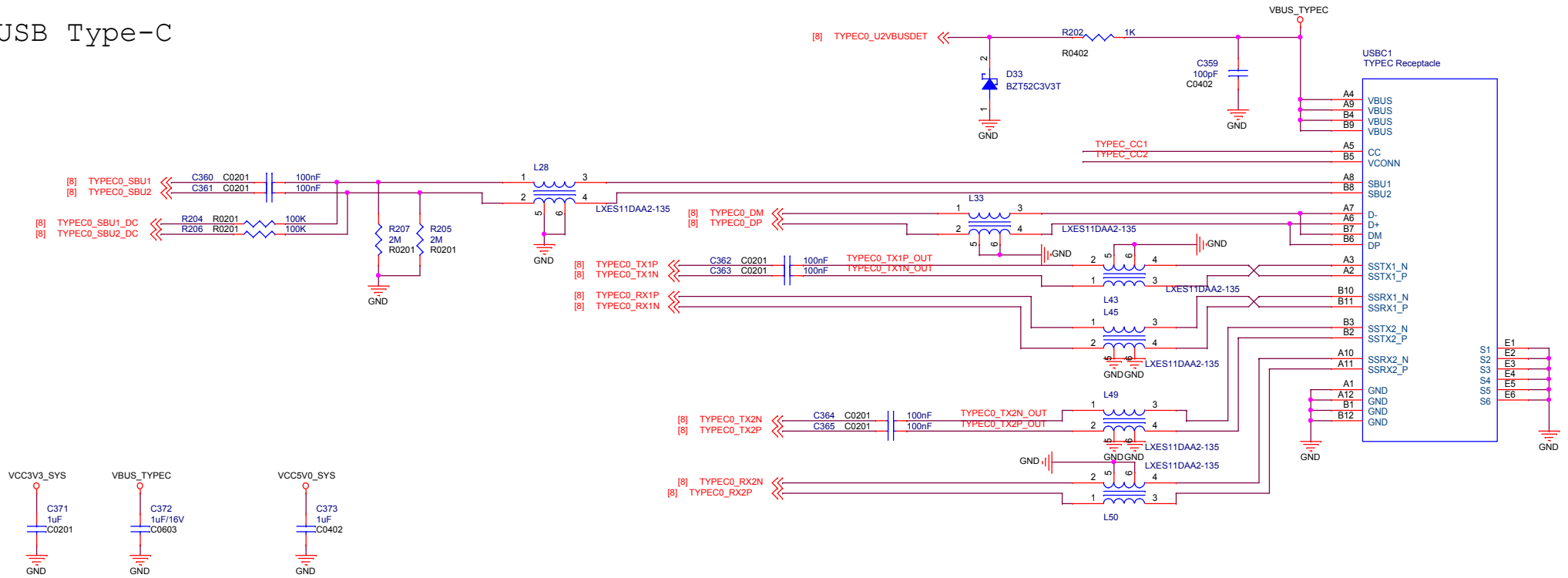


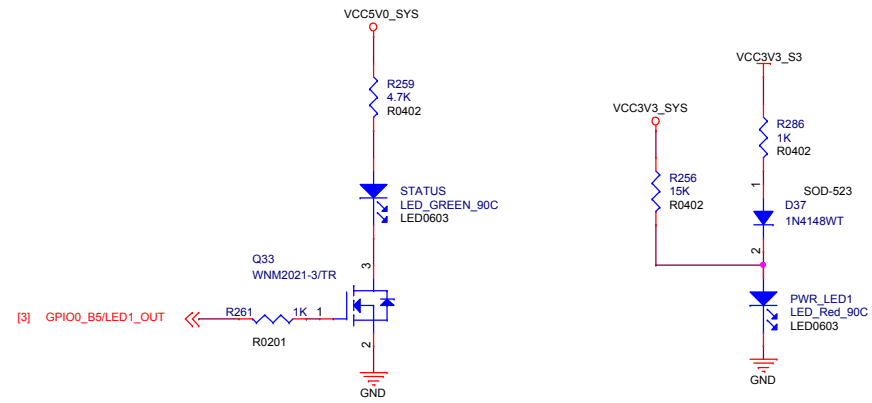
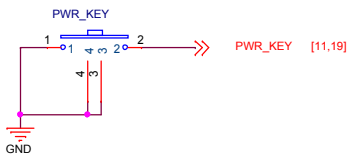
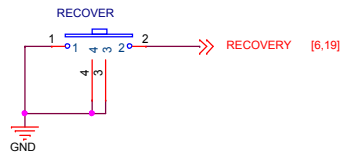
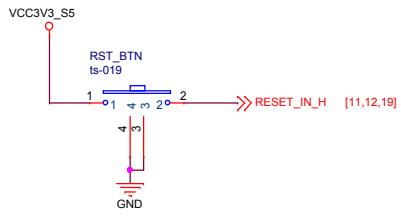
| | | |
|-------------------------------|---------------------------------------|----------|
| SOM-RK3399 | | |
| Size A3 | Document Number 14.RGMII-10/100/1000M | Rev 1904 |
| Date: Wednesday, May 22, 2019 | Sheet 14 | of 20 |



| | | |
|-------------------------------|------------------------------|----------|
| SOM-RK3399 | | |
| Size A3 | Document Number 15.eMMC/boot | Rev 1904 |
| Date: Wednesday, May 22, 2019 | Sheet 15 | of 20 |

USB Type-C





WIFI/WIFI ac/BT MODULE

