

NanoPi Duo

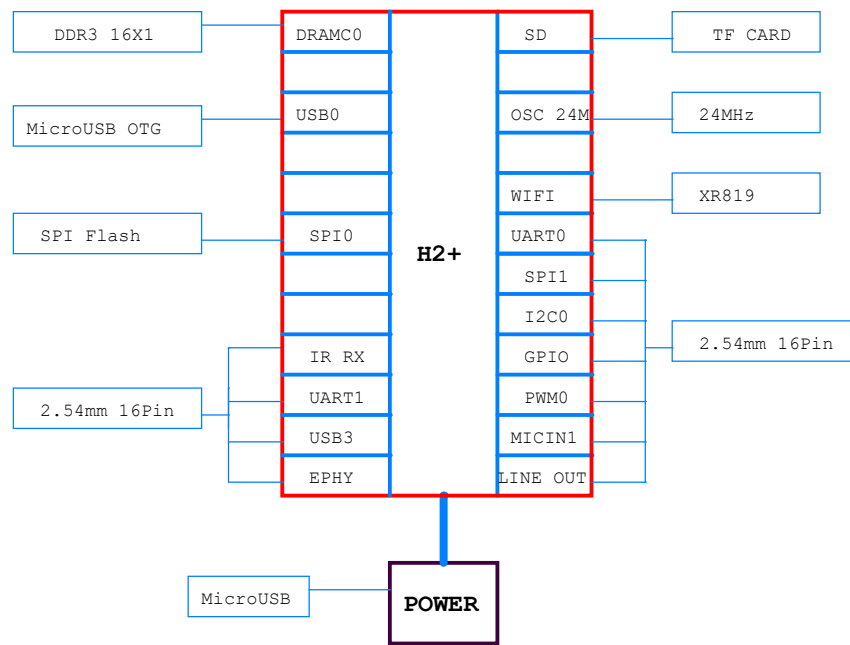
Revision 1706 , V1.0
v1.1 1709 Romoved U5(The DC-DC of AVCC)
Added U12

2020/12/18: C42,C43,C113,C73,C50 -> 10uF/0603/10V

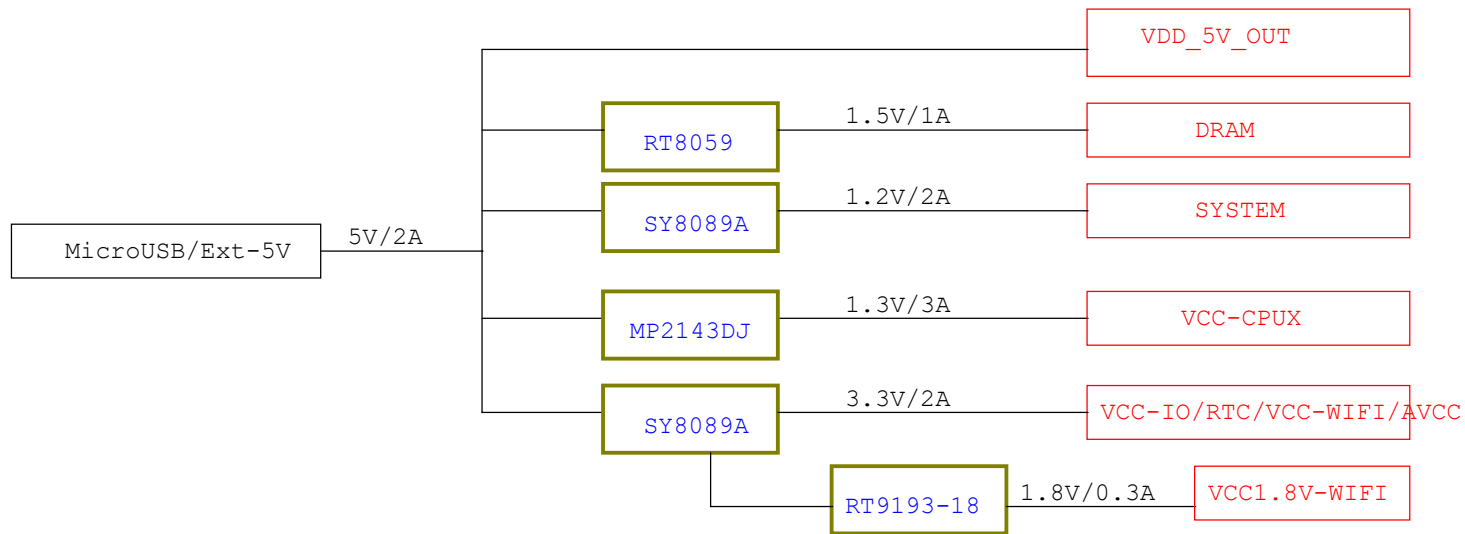


| | | |
|------------|---------------------------|------------------|
| NanoPi Duo | | |
| Size A3 | Document Number Title | Rev v1.1 1709 |
| Date: | Friday, December 18, 2020 | Sheet 1 of 15 |

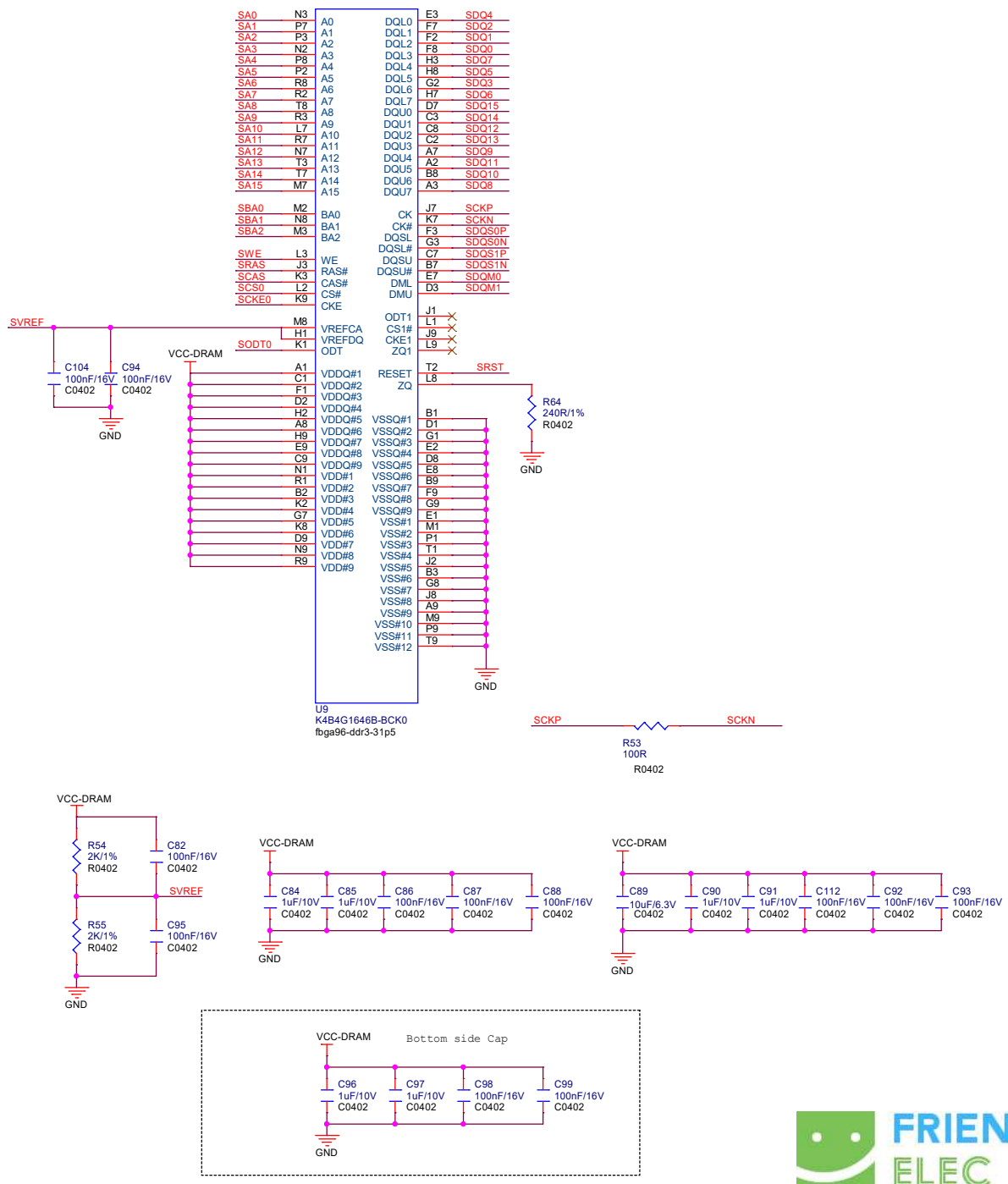
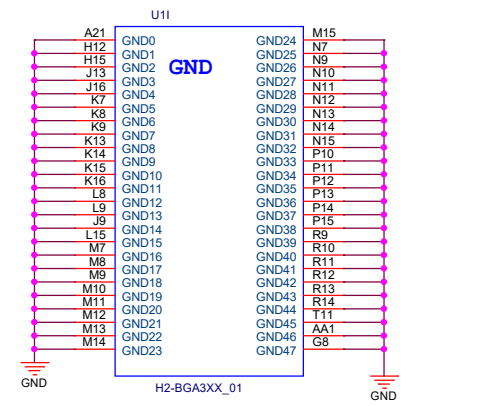
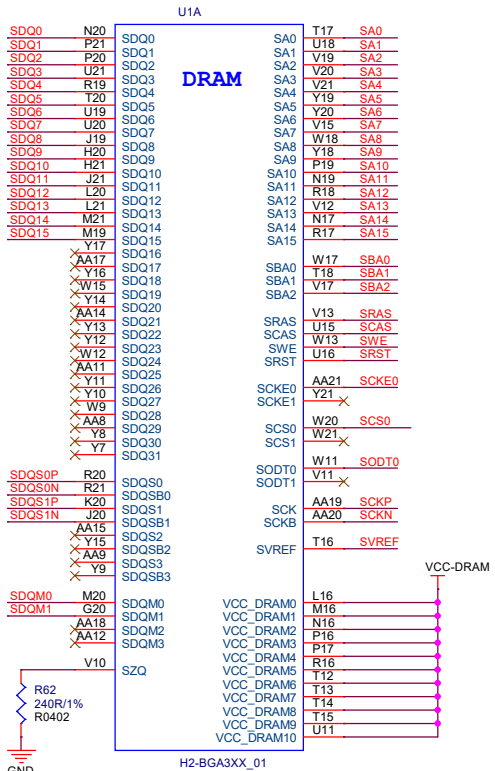
BLOCK



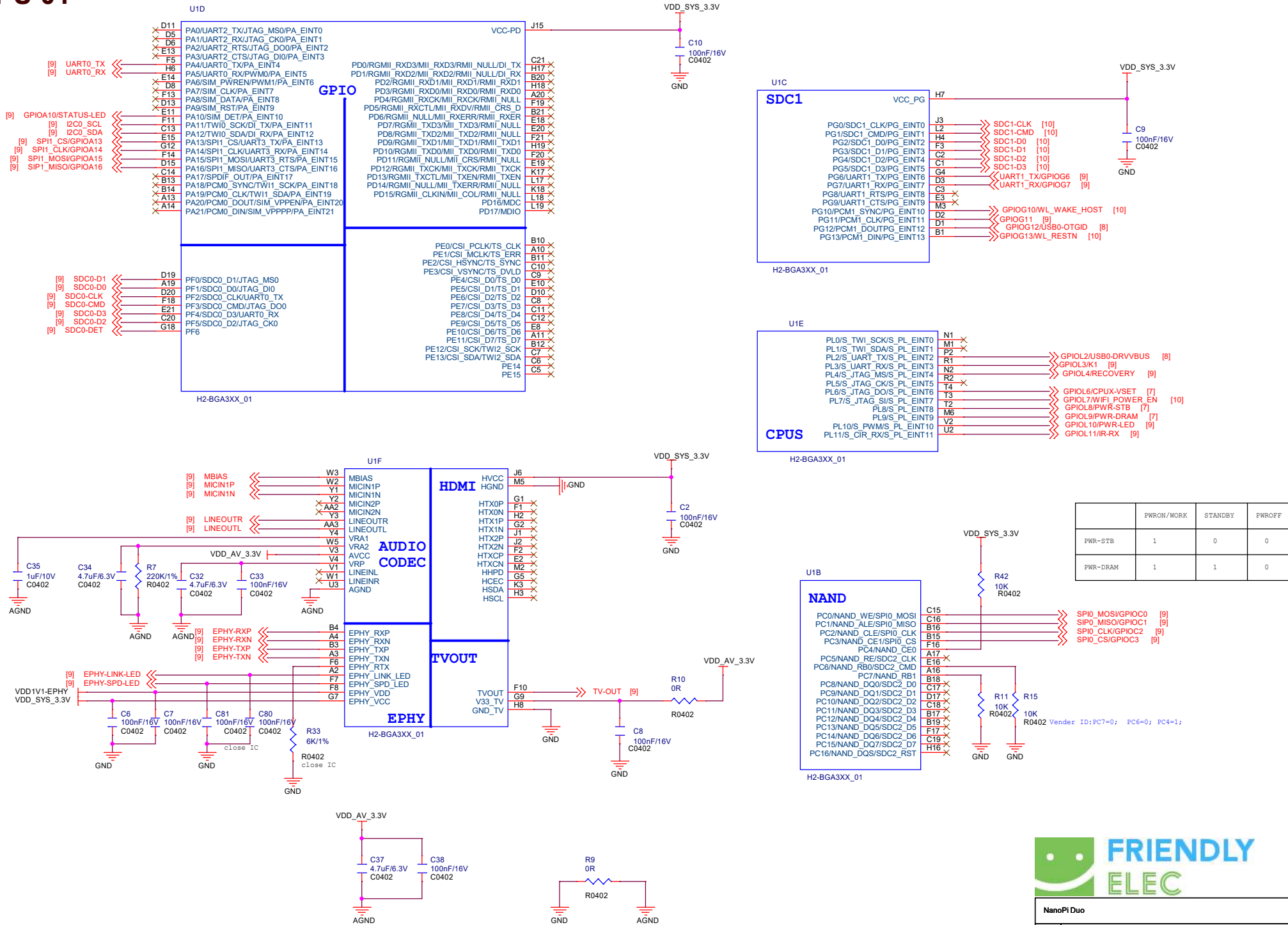
POWER TREE



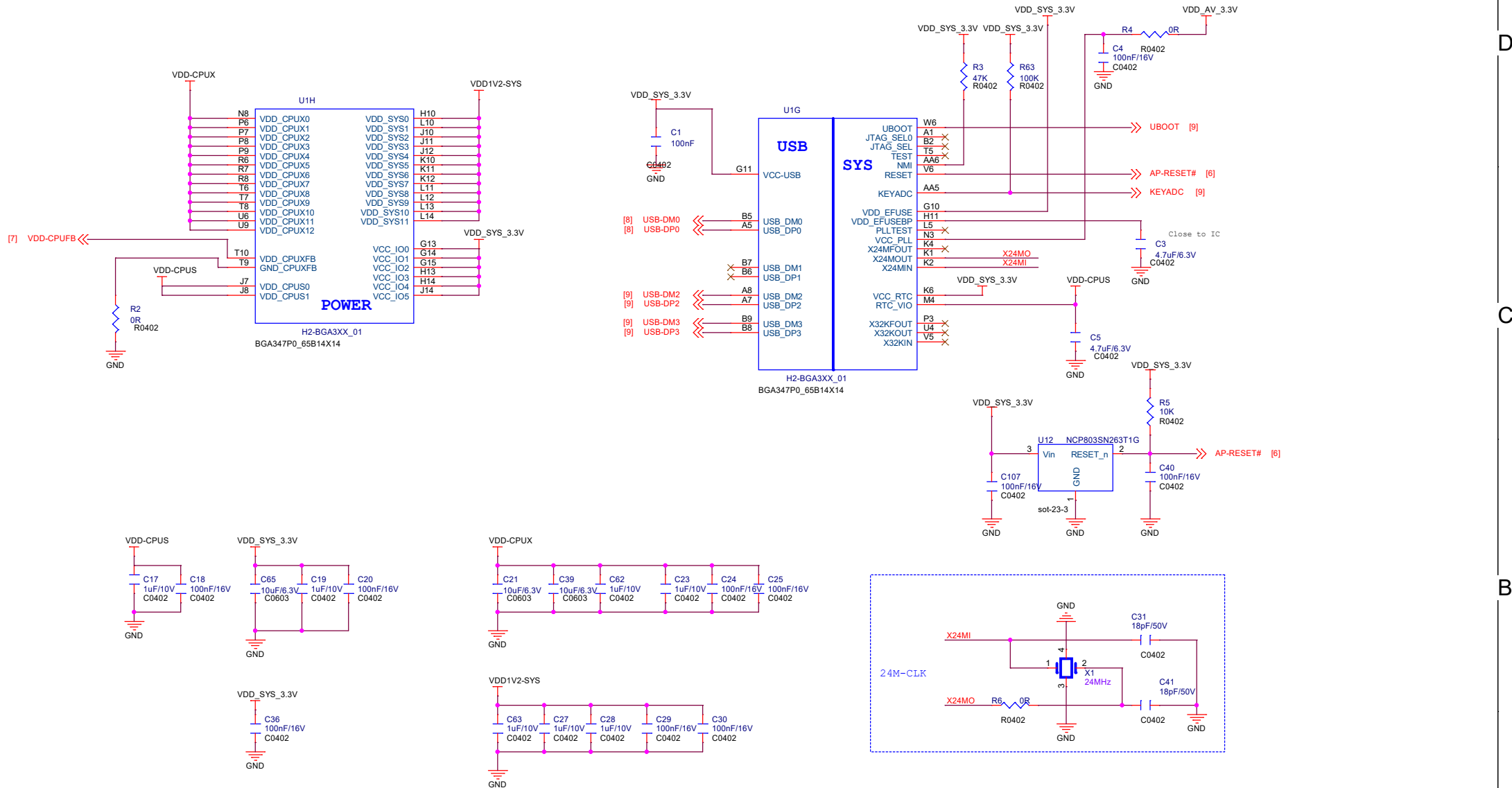
DDR3 16x1



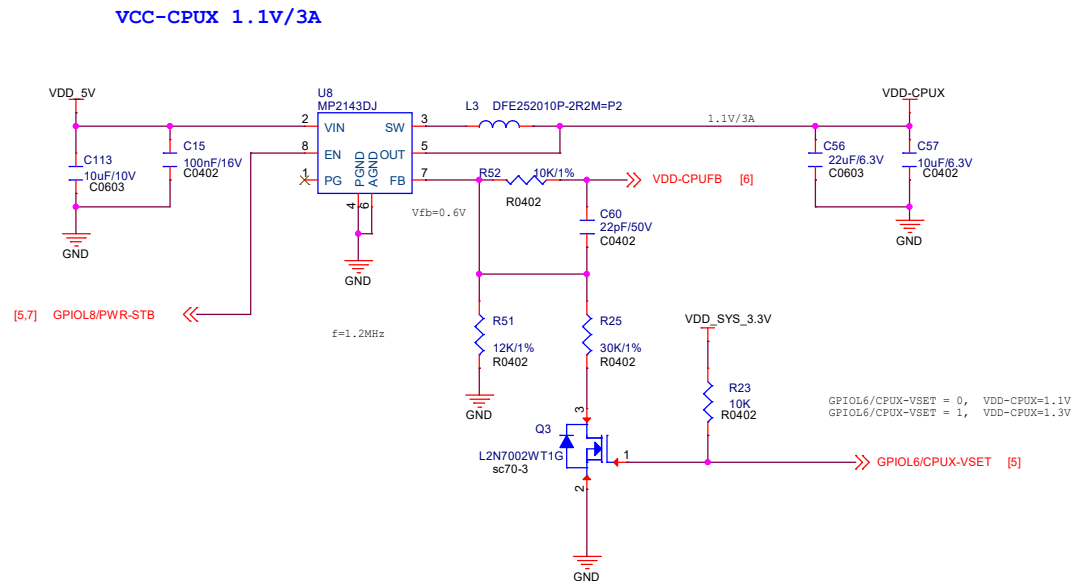
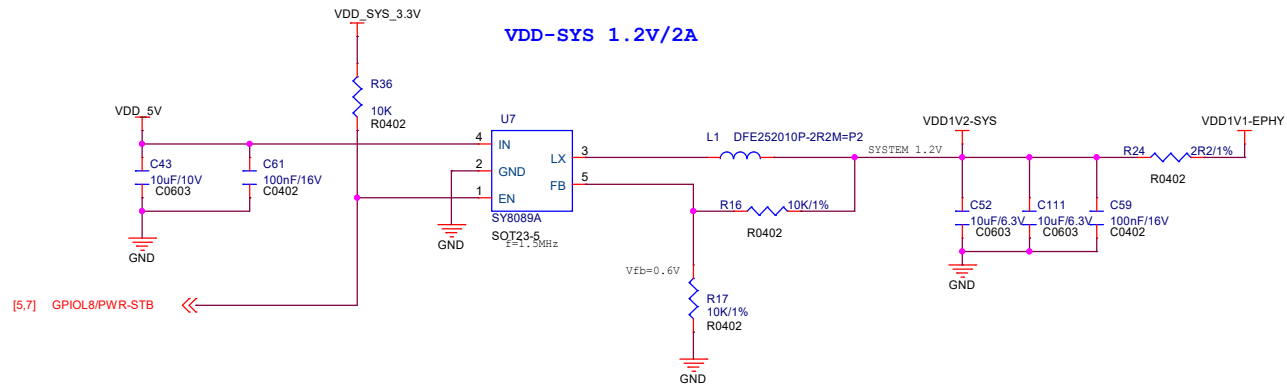
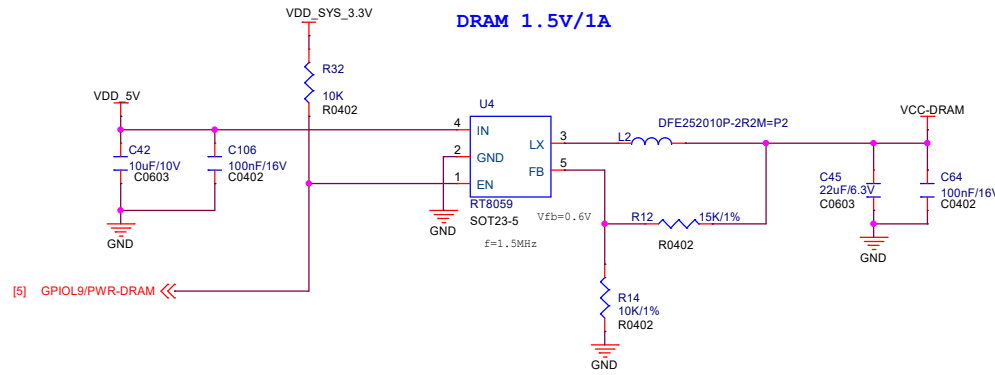
CPU 01



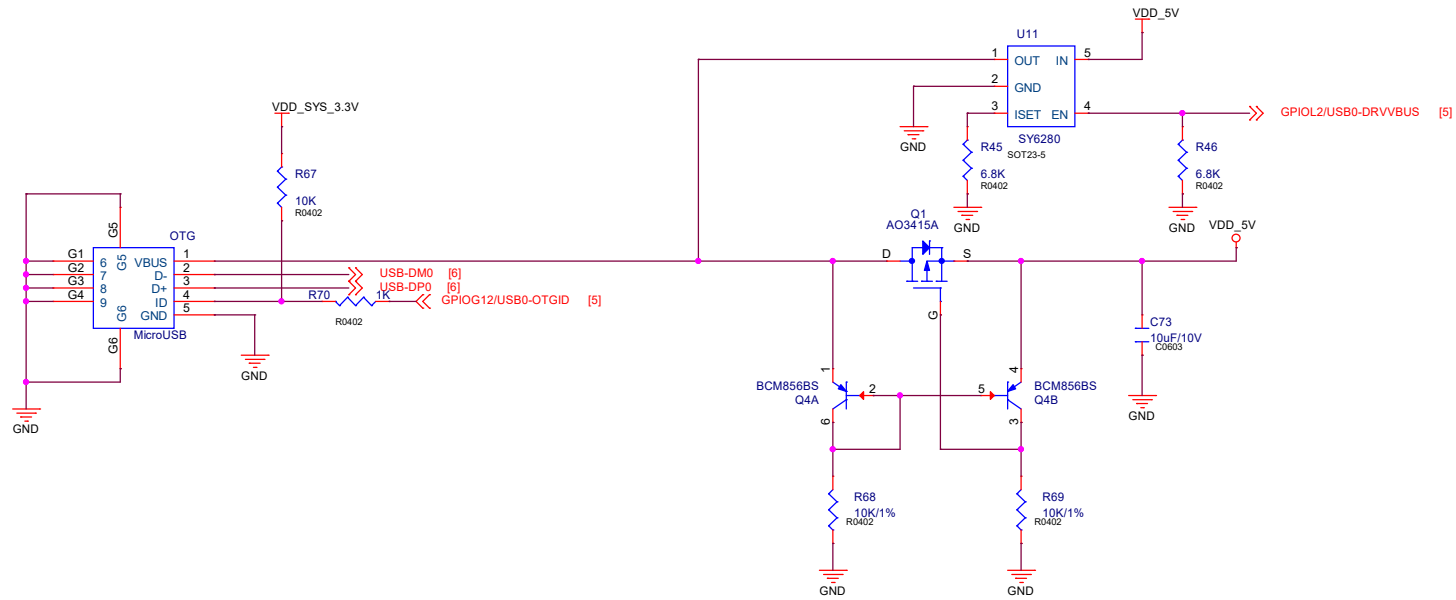
CPU 02



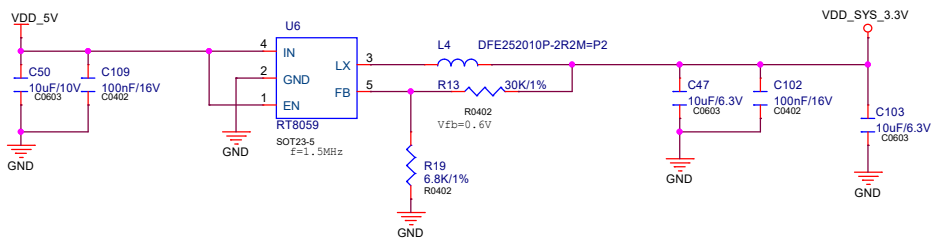
POWER 01



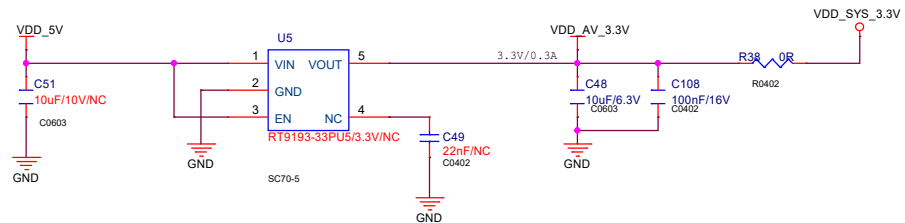
POWER 02



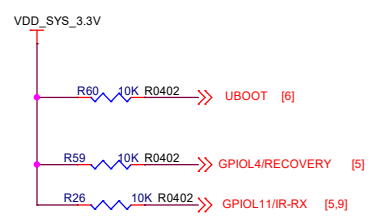
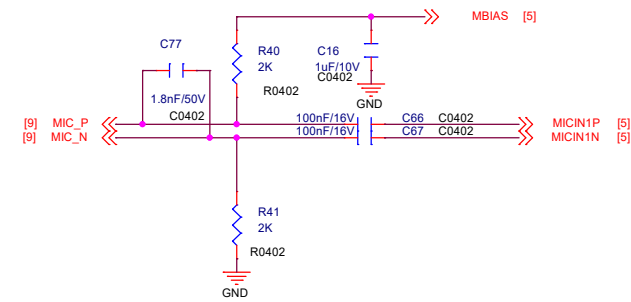
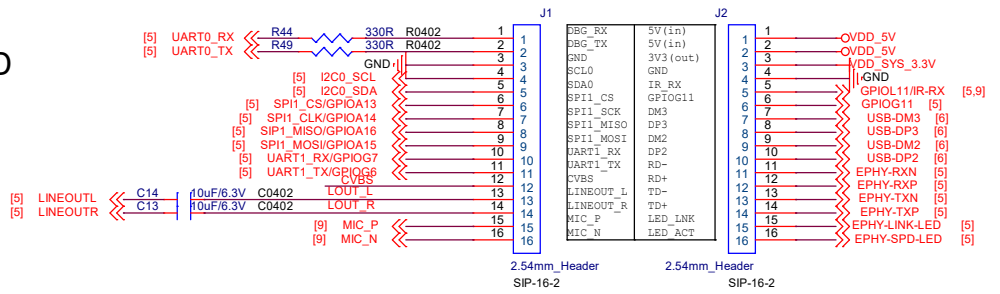
VCC-IO 3.3V/1A



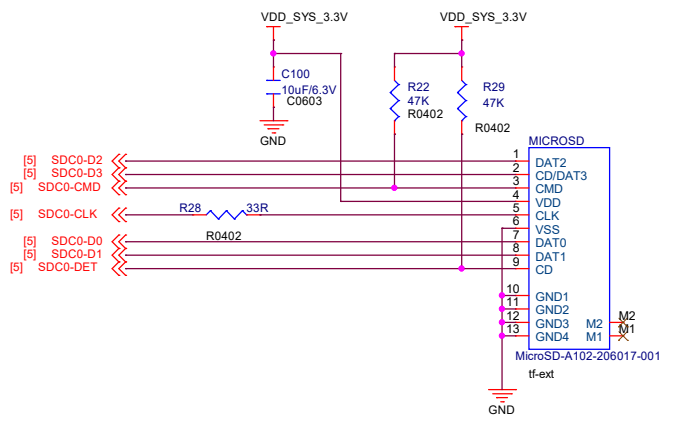
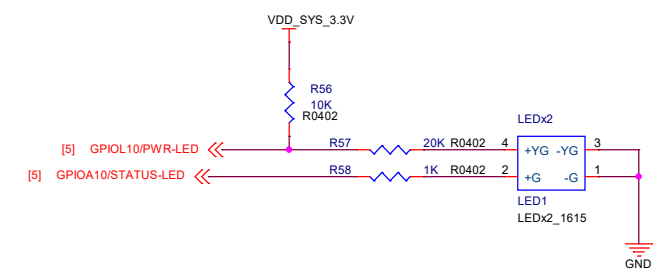
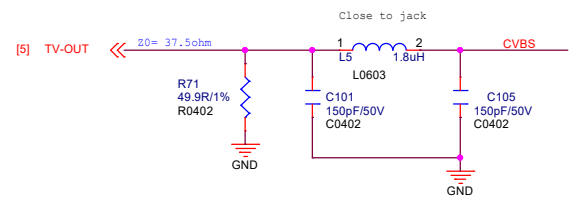
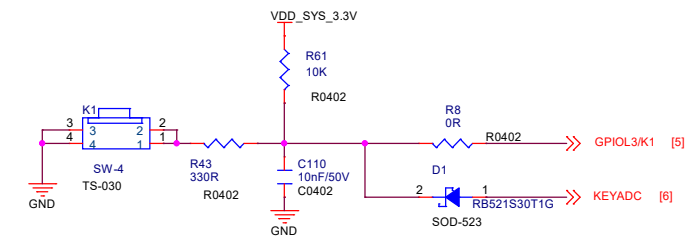
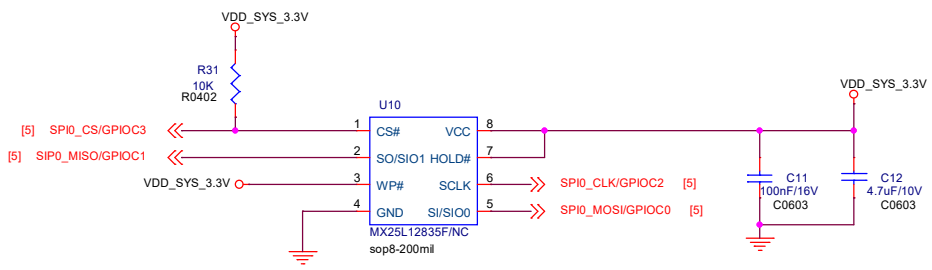
VCC-AVCC 3.3V/300mA



GPIO,LEDs,TF Card



SPI Flash



WIFI

