

# Smart4418/6818SDK V2 1812

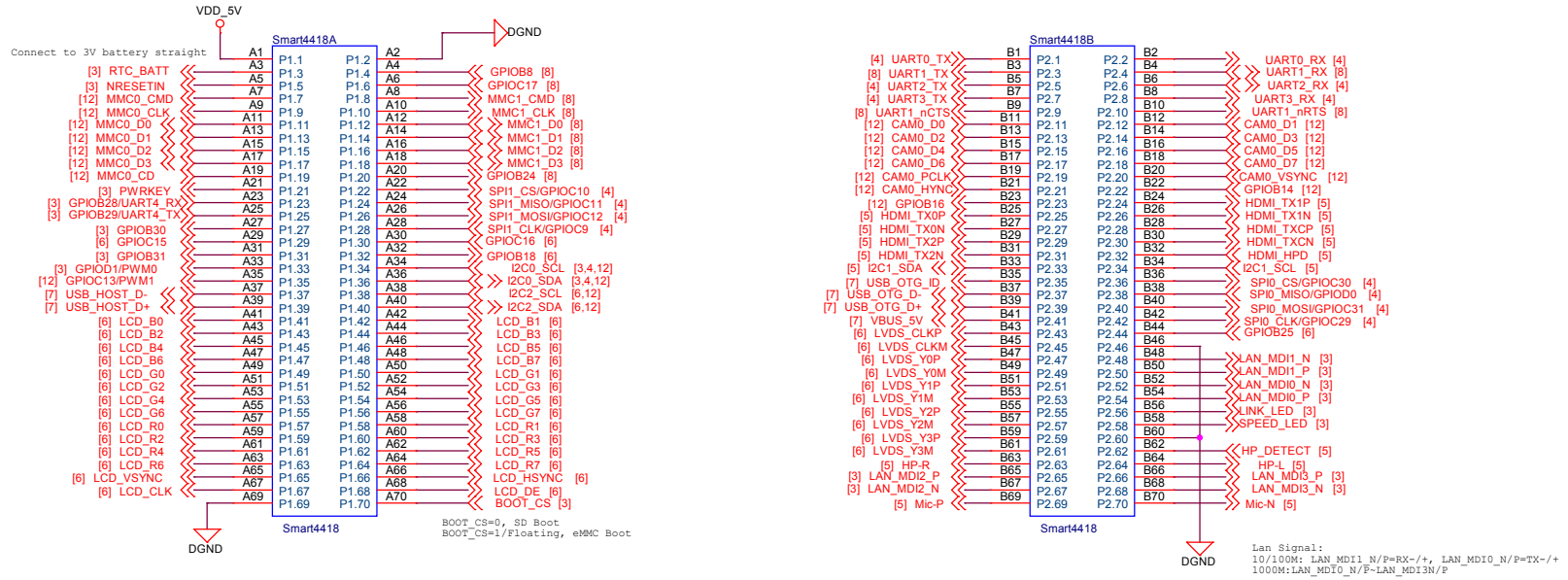
Revision

1606, First Version  
1812, Fit for HD702

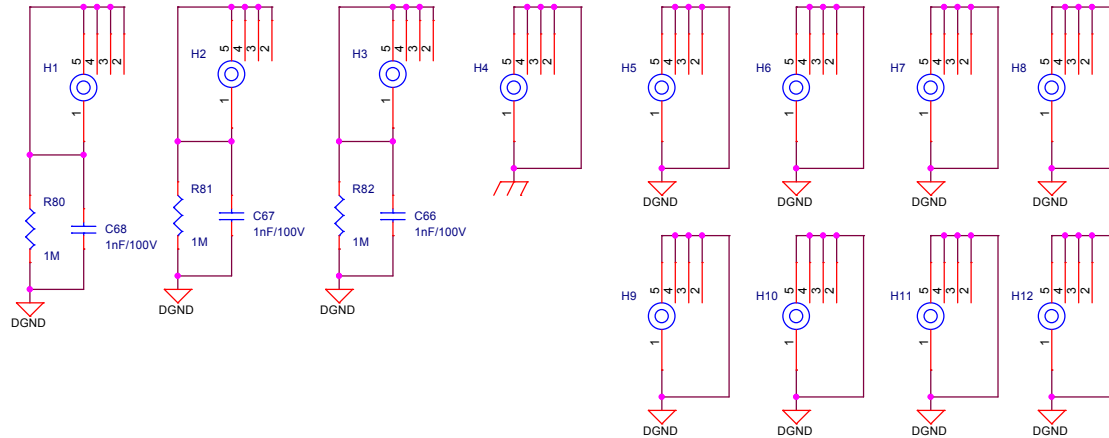


Smart4418/6818SDK V2		
Size A3	Document Number 01.Title	Rev 1812
Date:	Monday, December 17, 2018	Sheet 1 of 12

# Smart4418 Connectors



## Mounting Holes

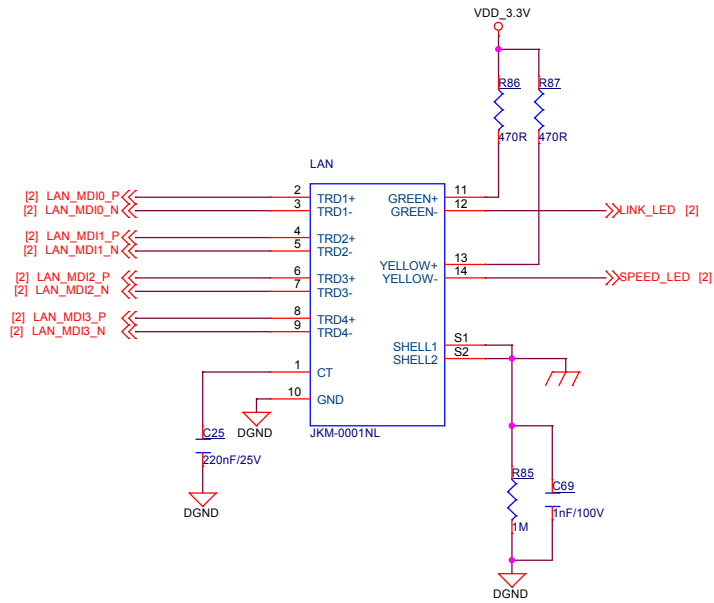


Smart4418/6818SDK V2

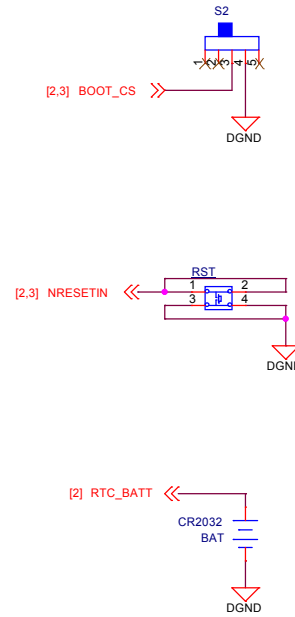
Size	Document Number	Rev
A3	02.Smart4418	1812

Date: Monday, December 17, 2018 Sheet 2 of 12

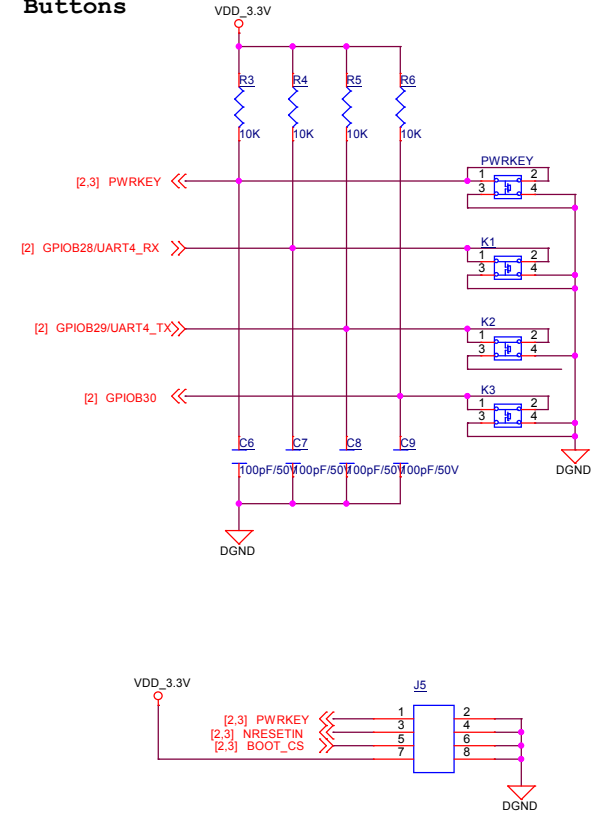
## Gigabit Ethernet



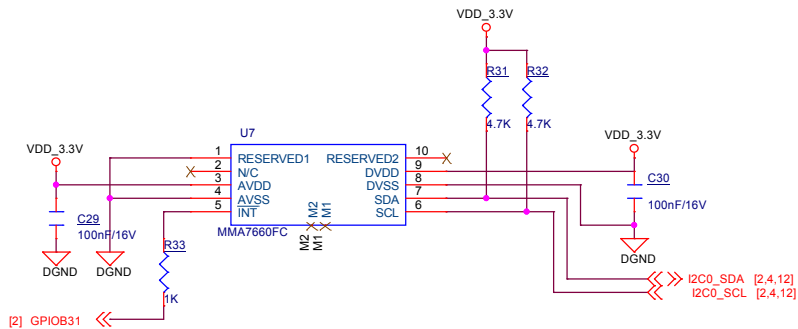
## RTC/Boot Switch/Reset



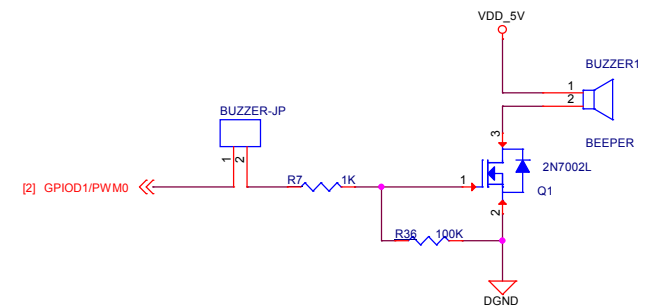
## Buttons



## 3-Axis Sensor

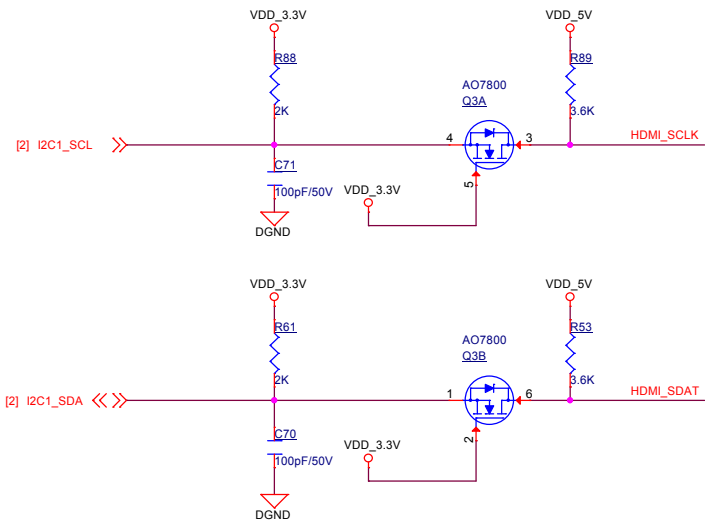
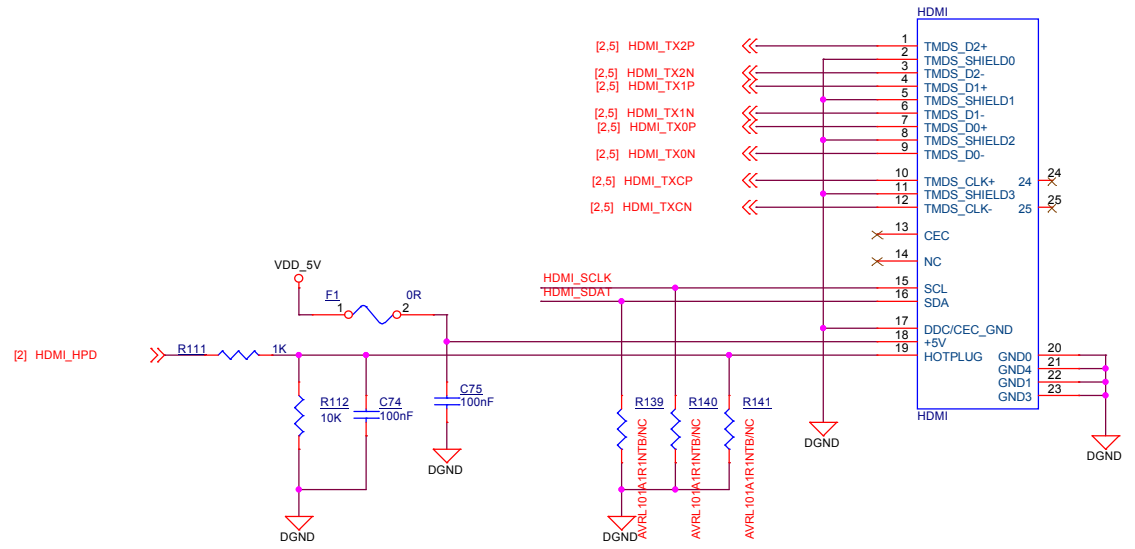
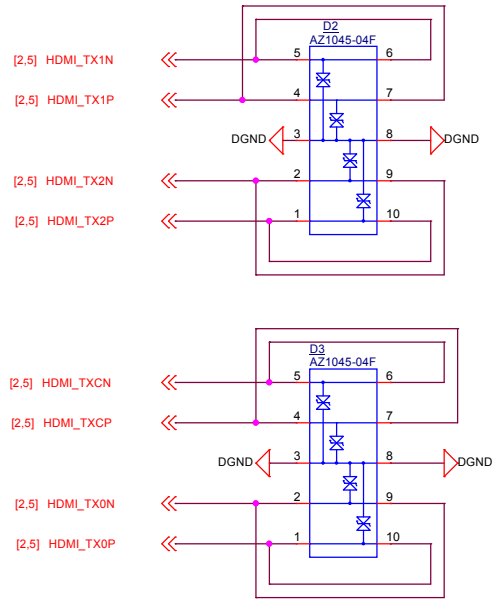


## Buzzer

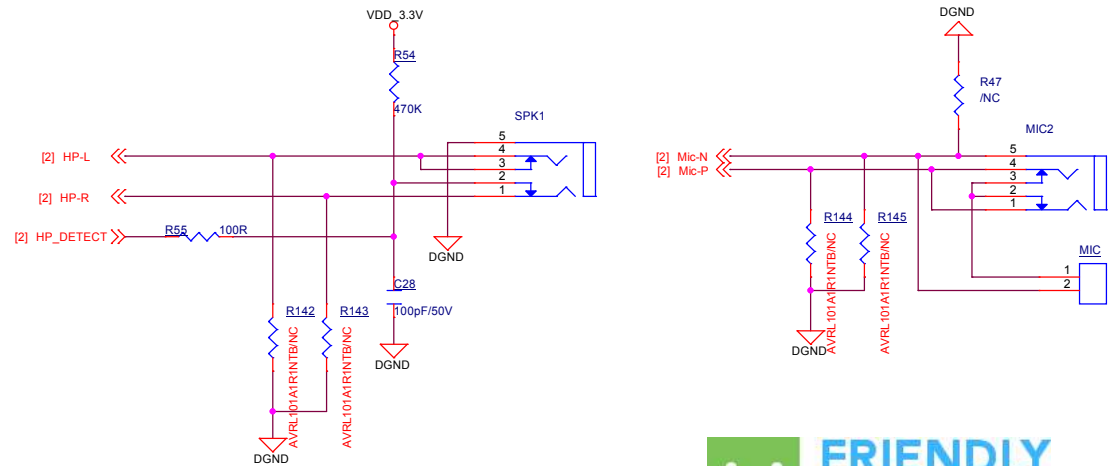




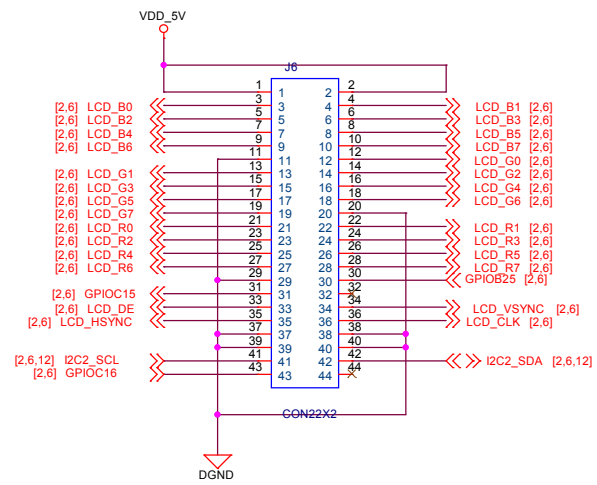
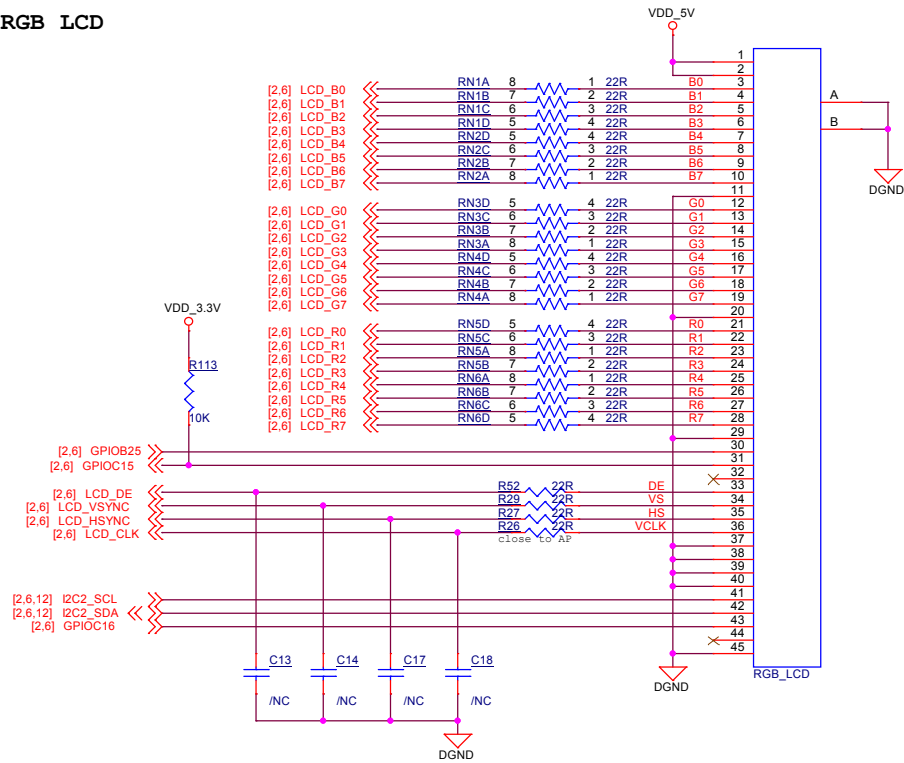
# HDMI



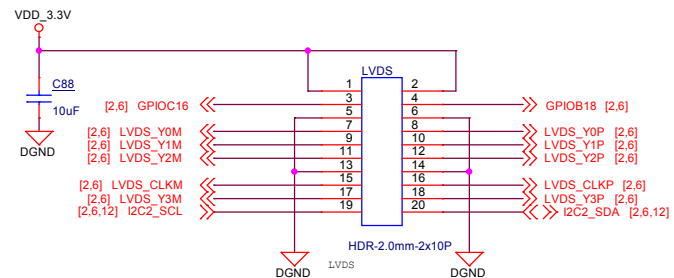
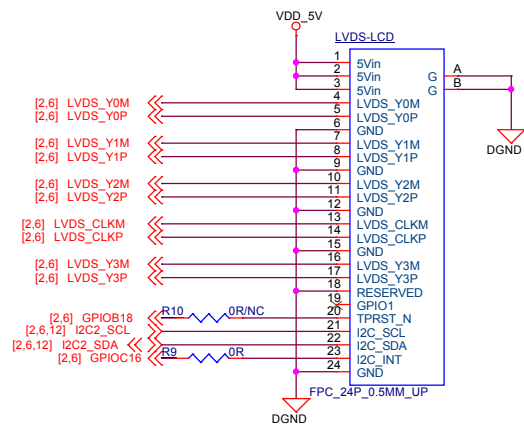
# Audio



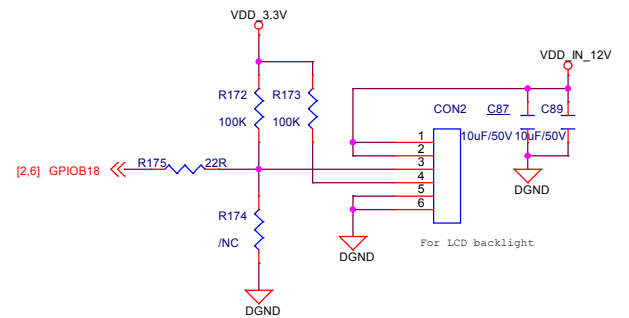
# RGB LCD



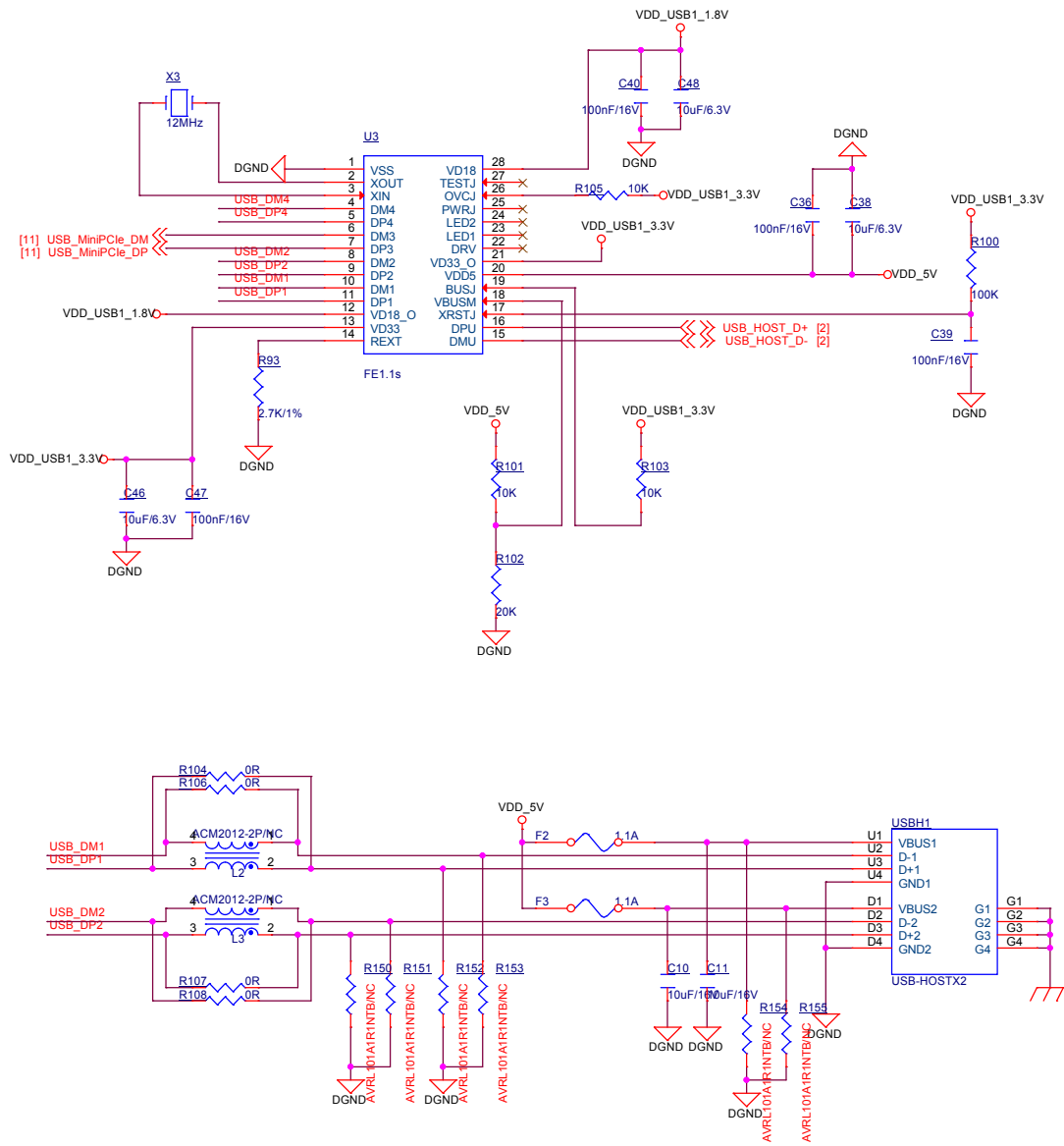
# LVDS



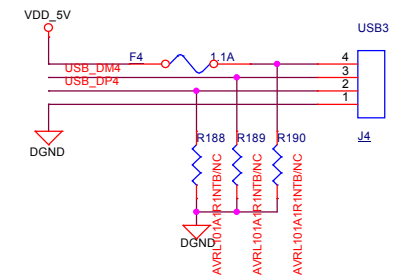
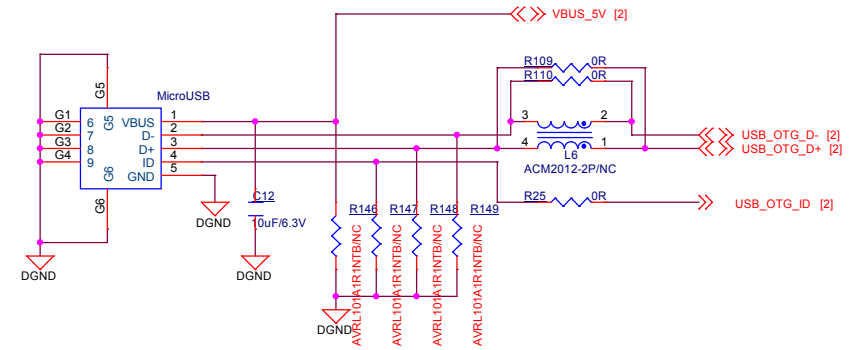
# LVDS



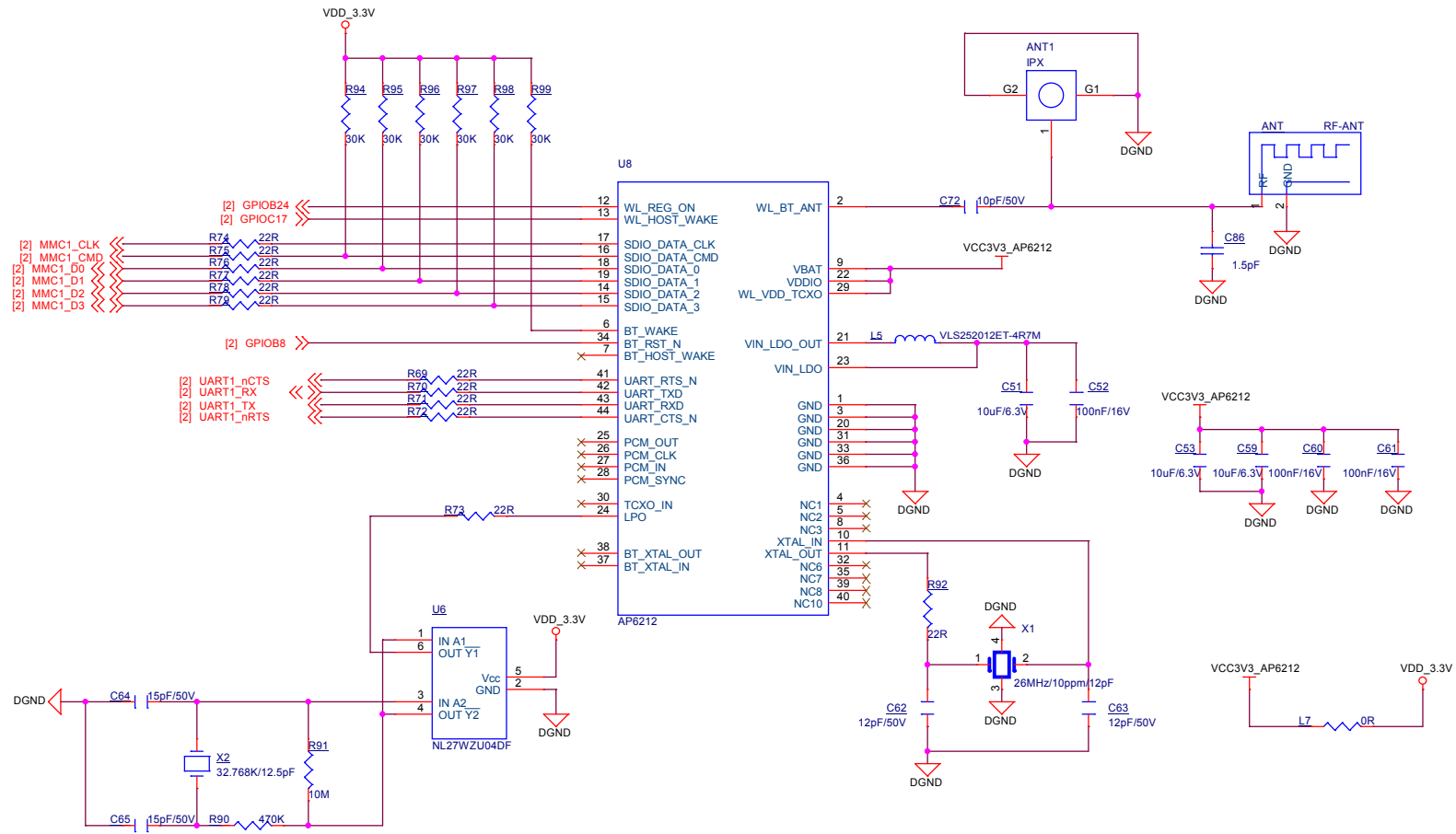
# USB 2.0 Host



# USB 2.0 Slave

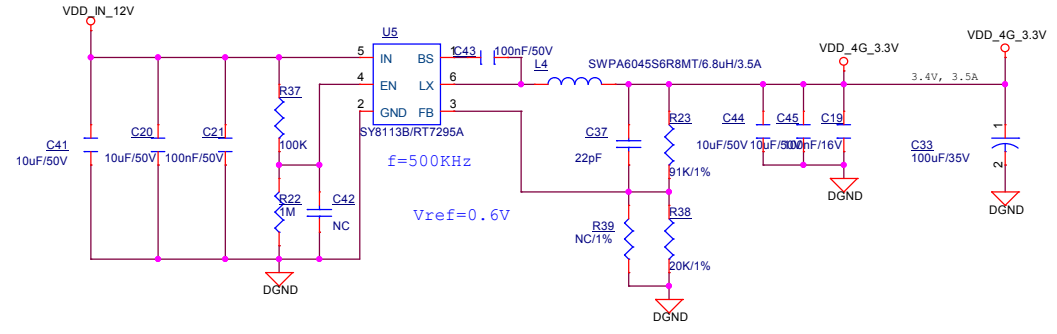
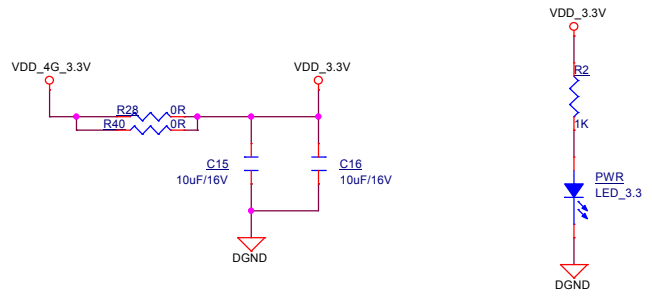
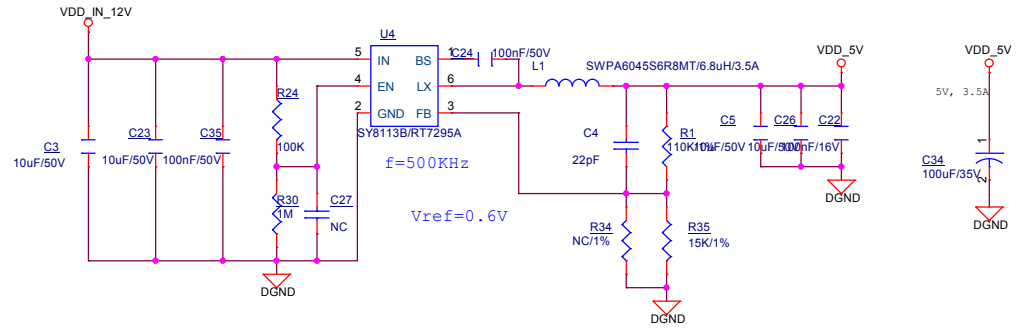
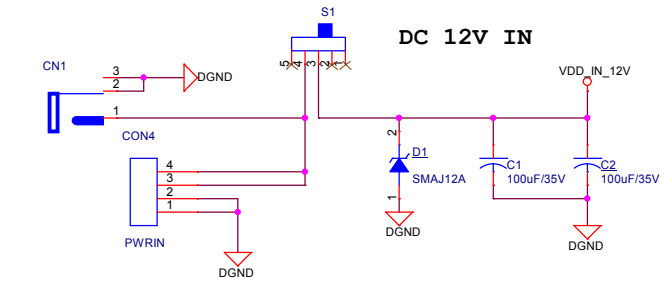


# Wi-Fi/Bluetooth

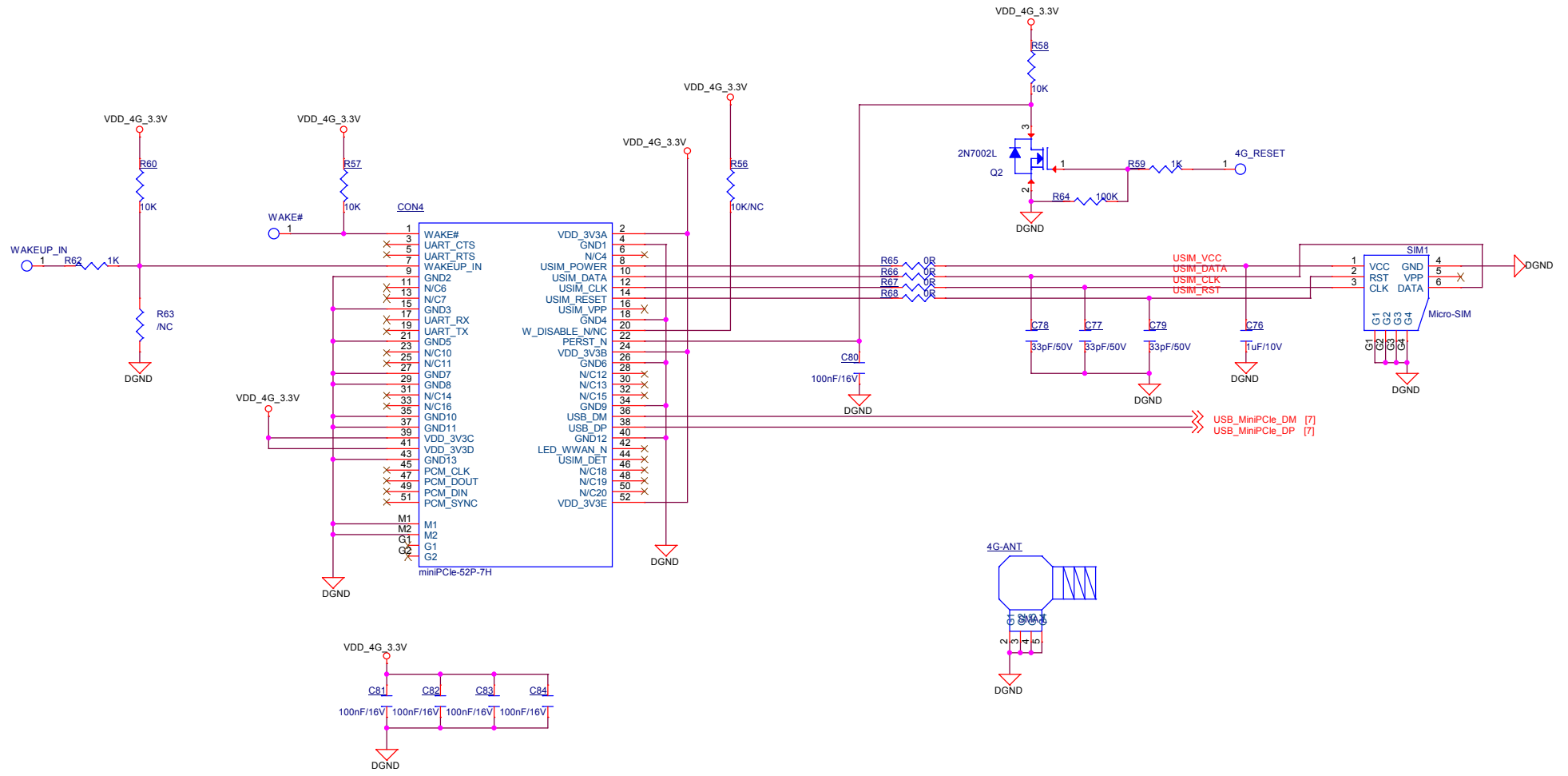




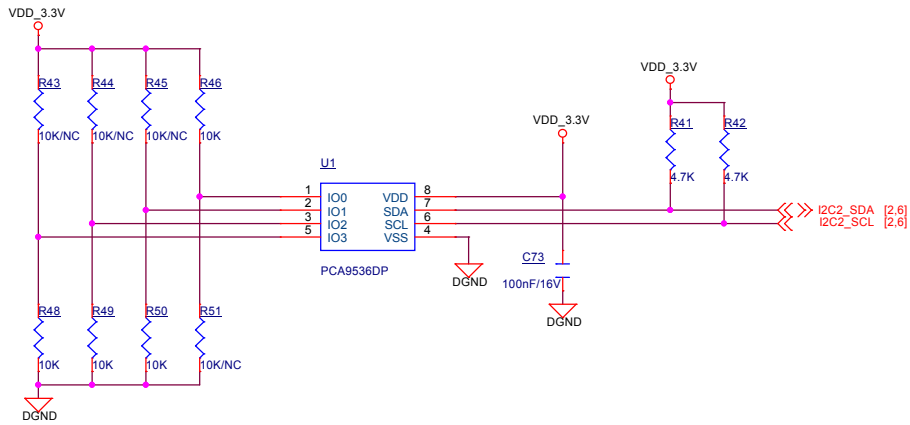
Power



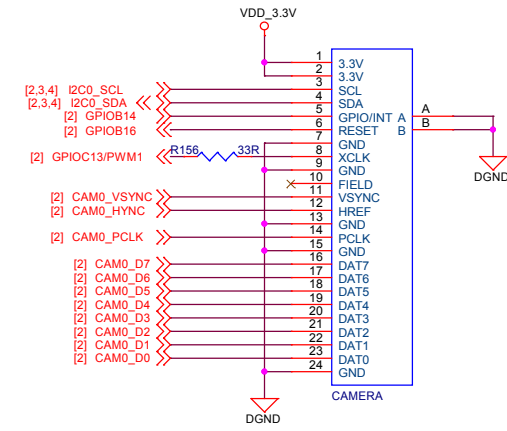
# MiniPCIe for 4G Module



## Board Revision



## DVP Camera



## TF Card

