

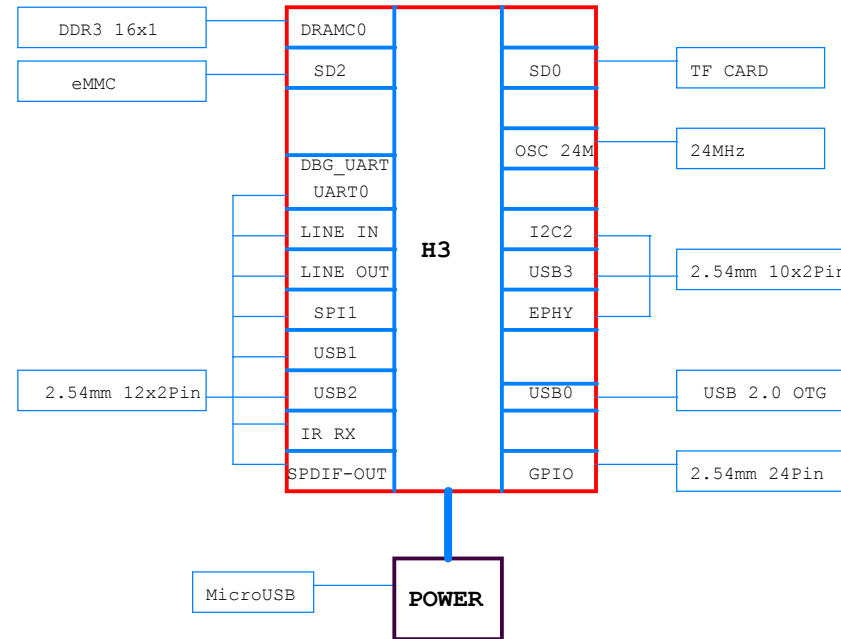
NanoPi NEO Core

Revision
1705 , First Release

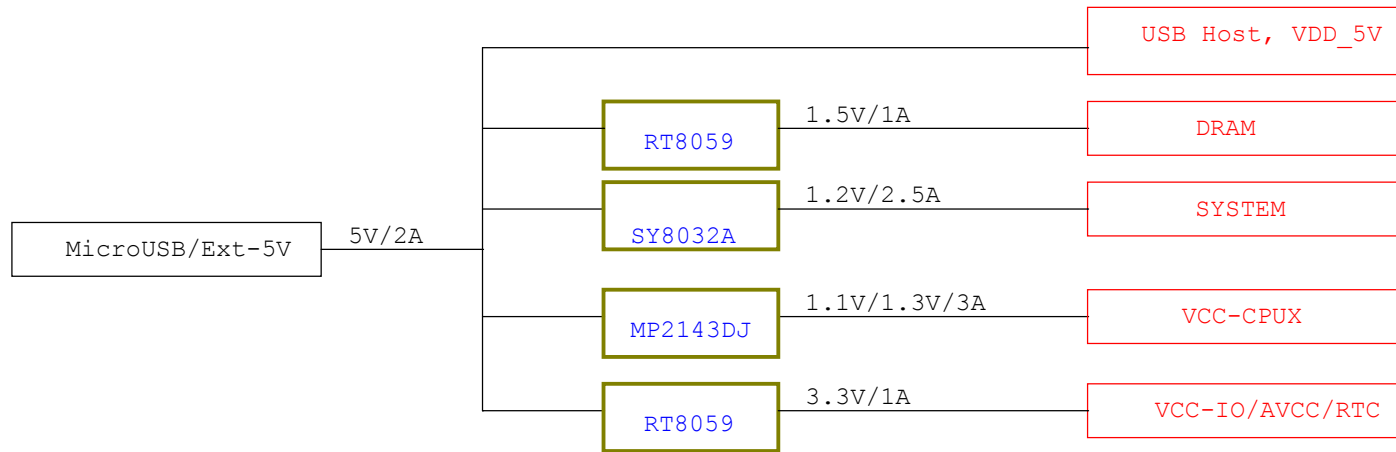


NanoPi NEO Core		
Size A3	Document Number Title	Rev 1705
Date:	Monday, November 27, 2017	Sheet 1 of 11

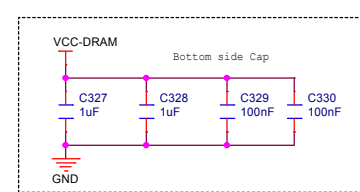
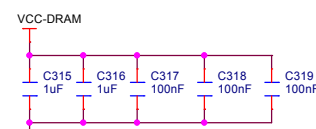
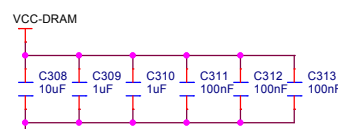
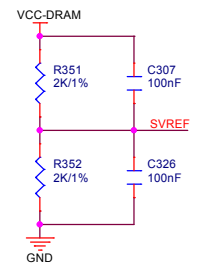
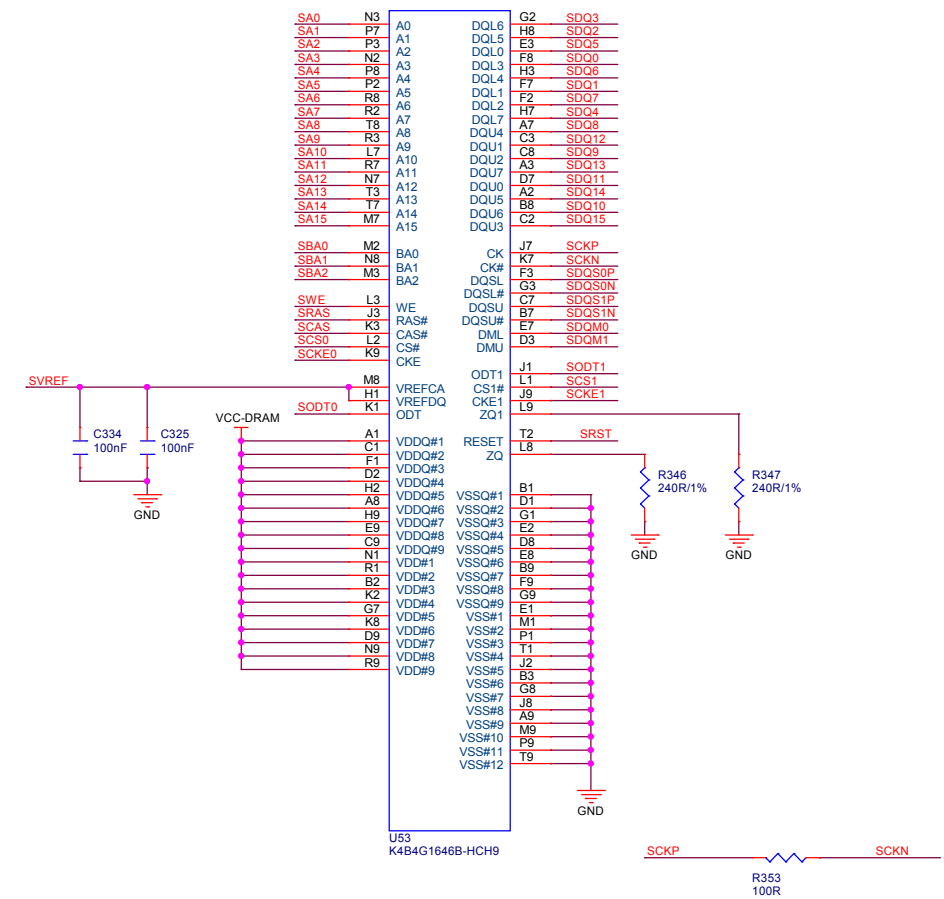
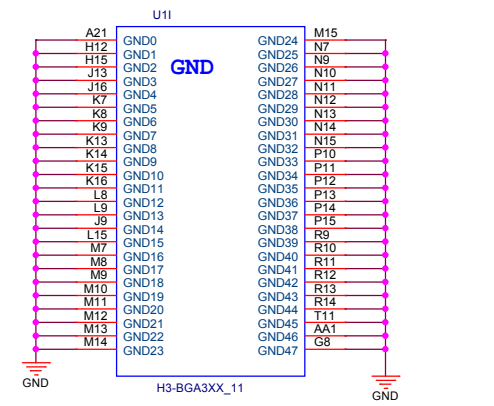
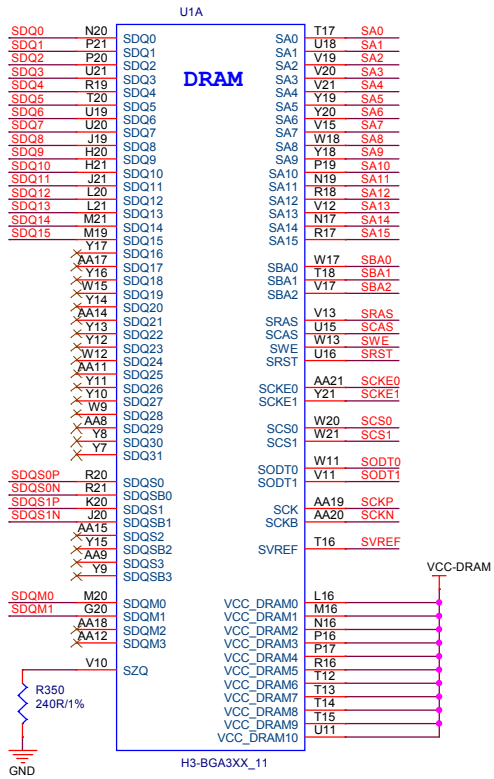
BLOCK



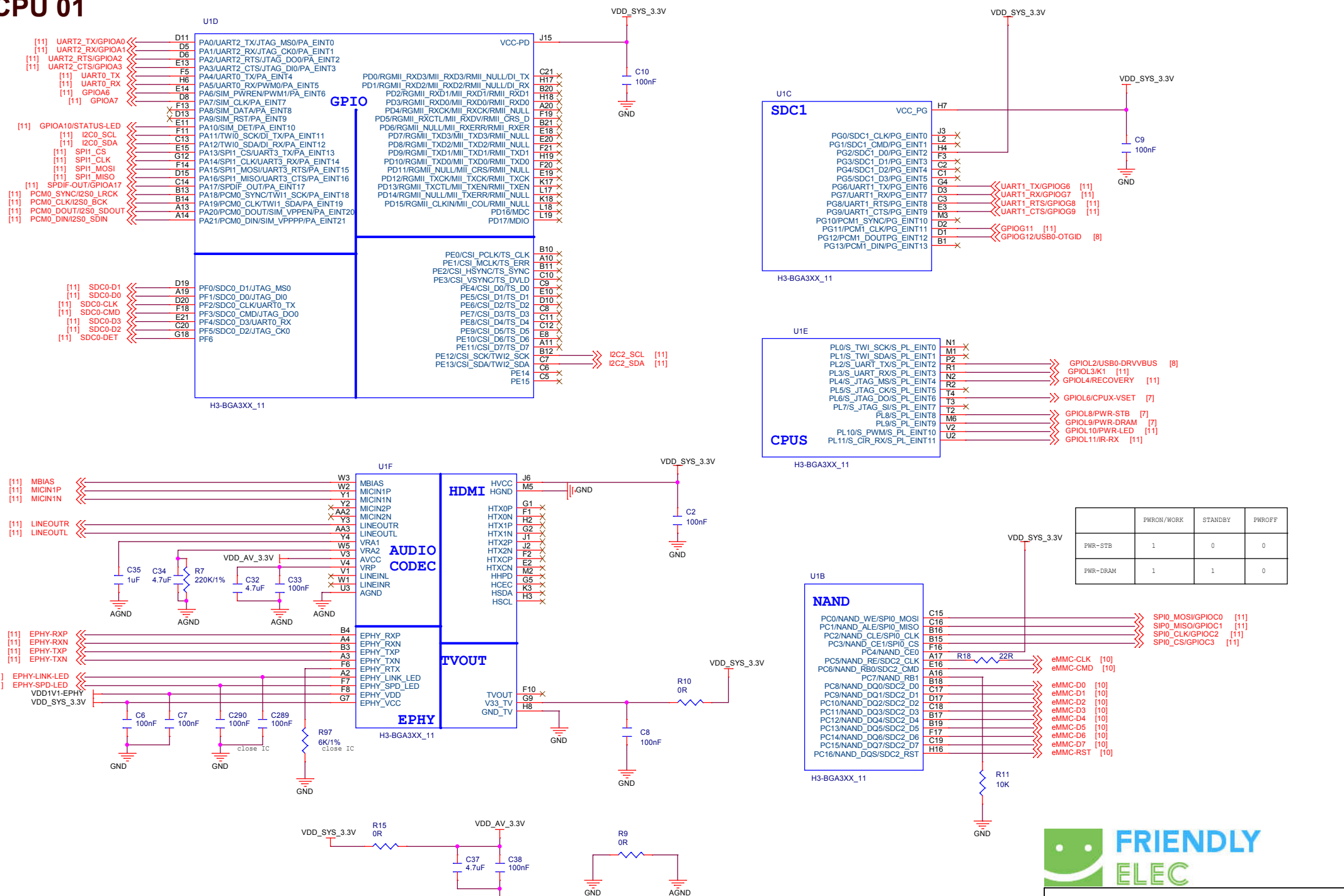
POWER TREE



DDR3 16x1



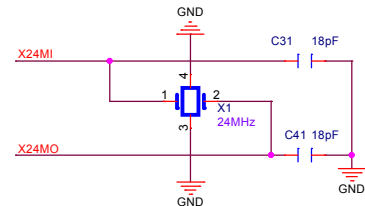
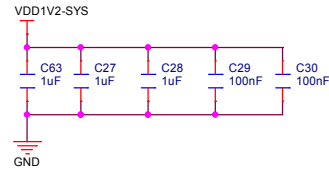
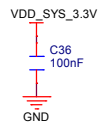
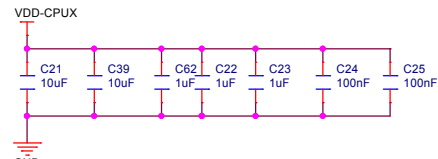
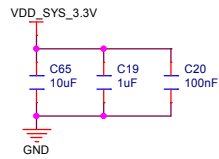
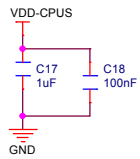
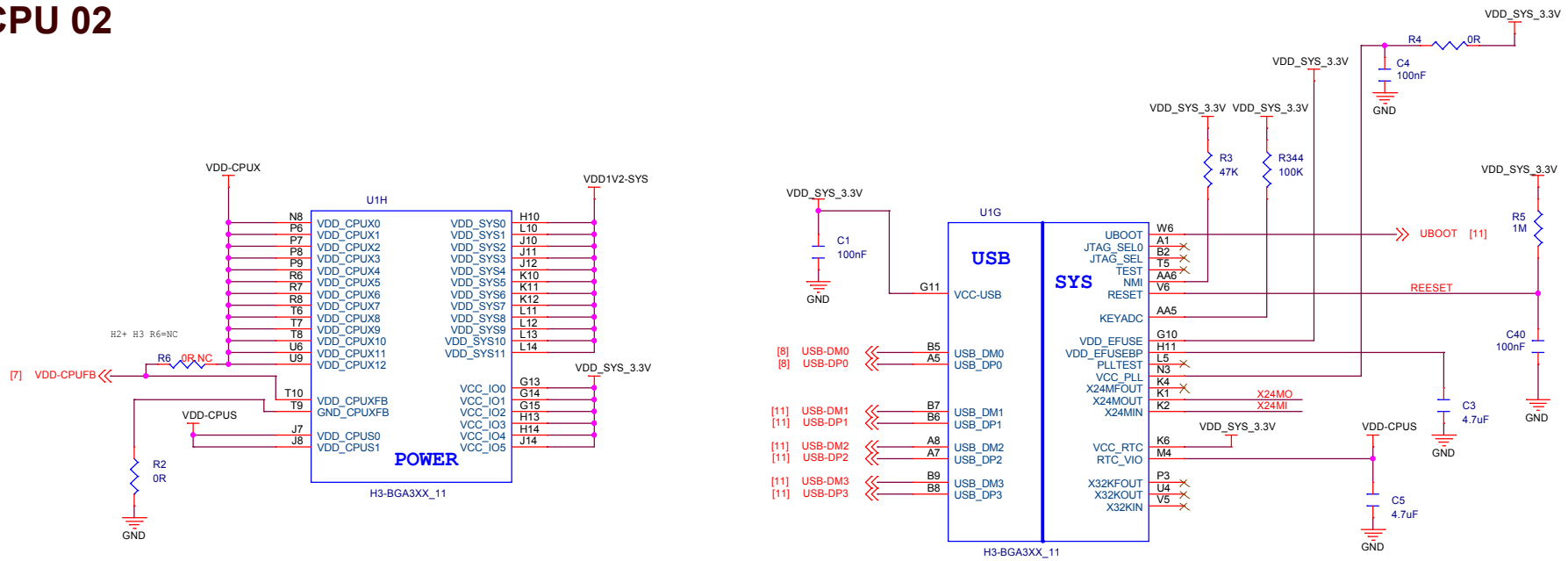
CPU 01



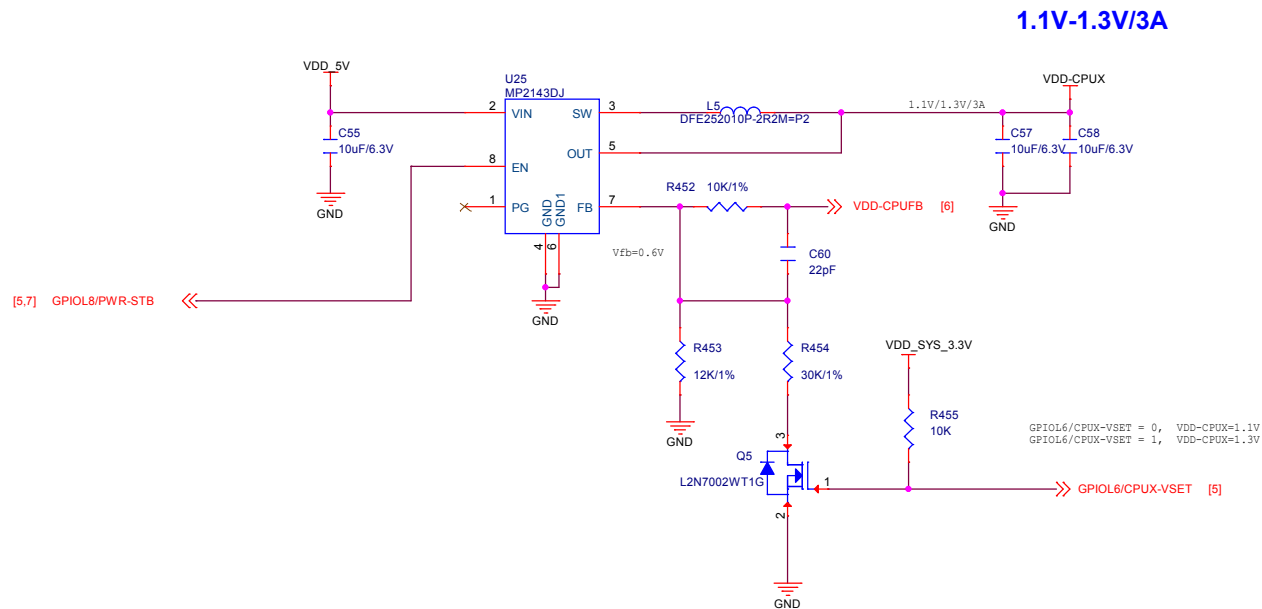
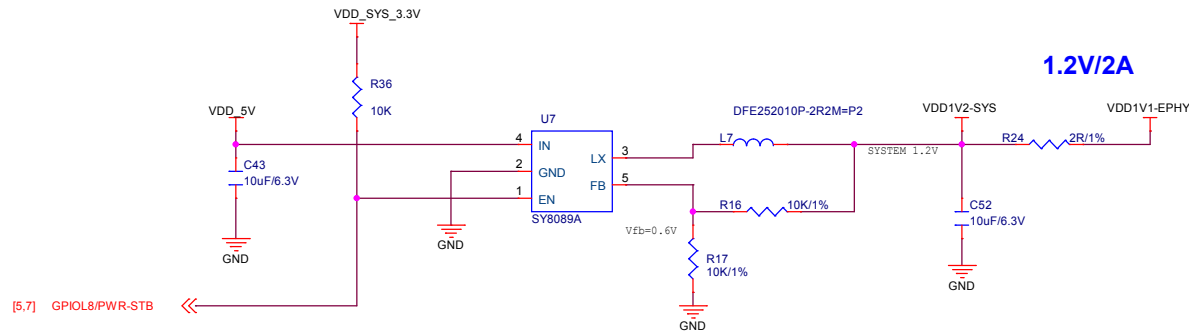
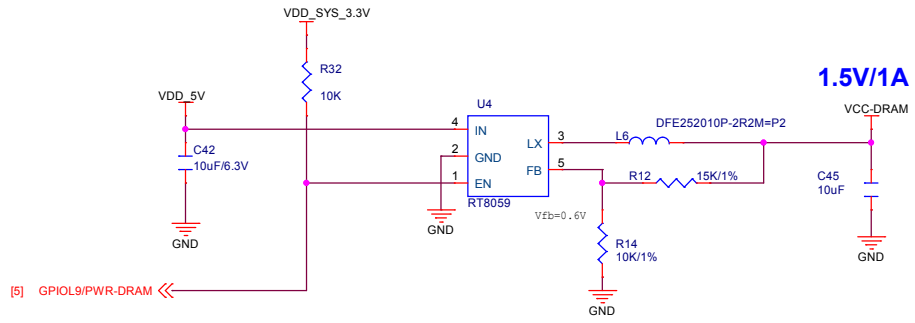
	PWRON/WORK	STANDBY	PWROFF
PWR-STB	1	0	0
PWR-DRAM	1	1	0



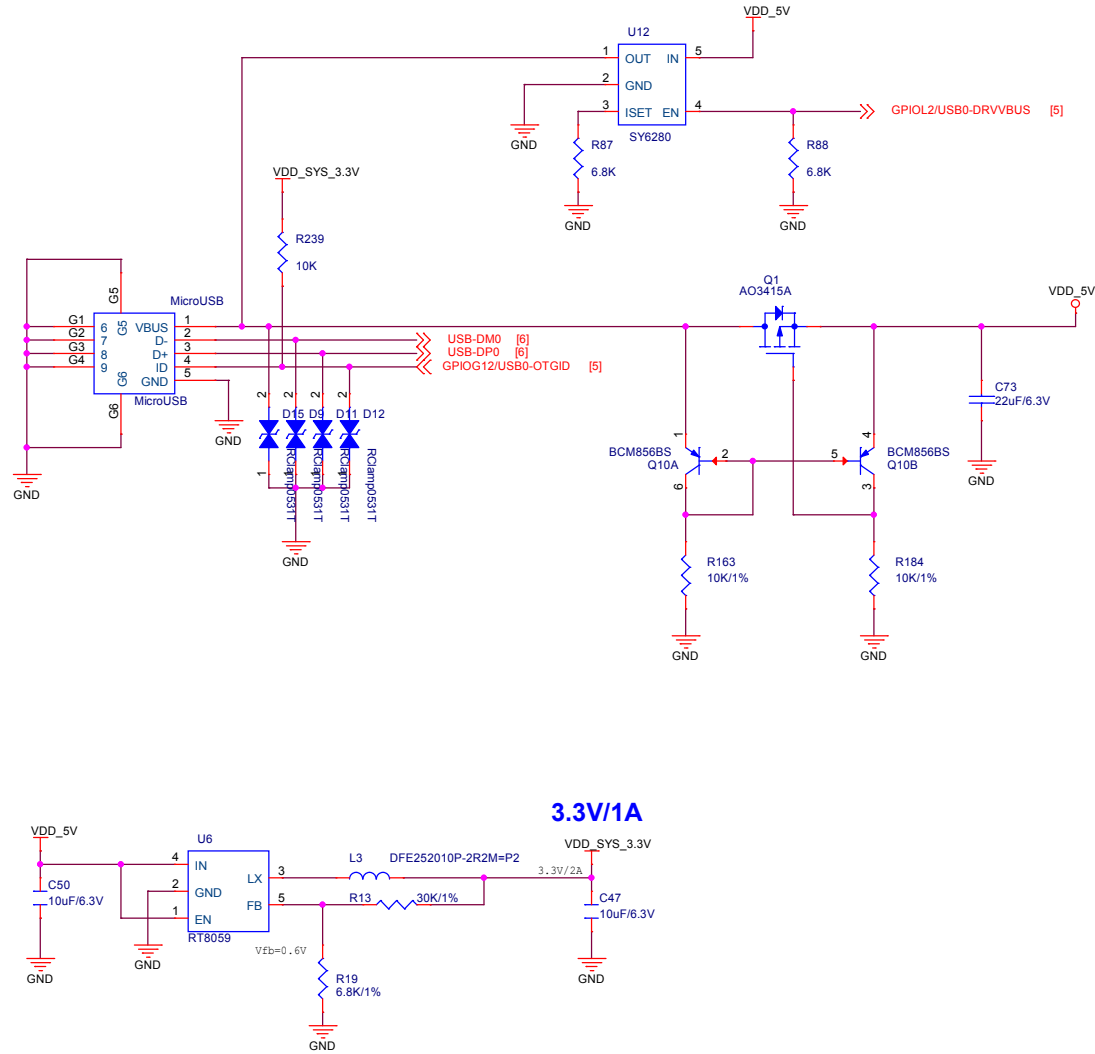
CPU 02



POWER 01

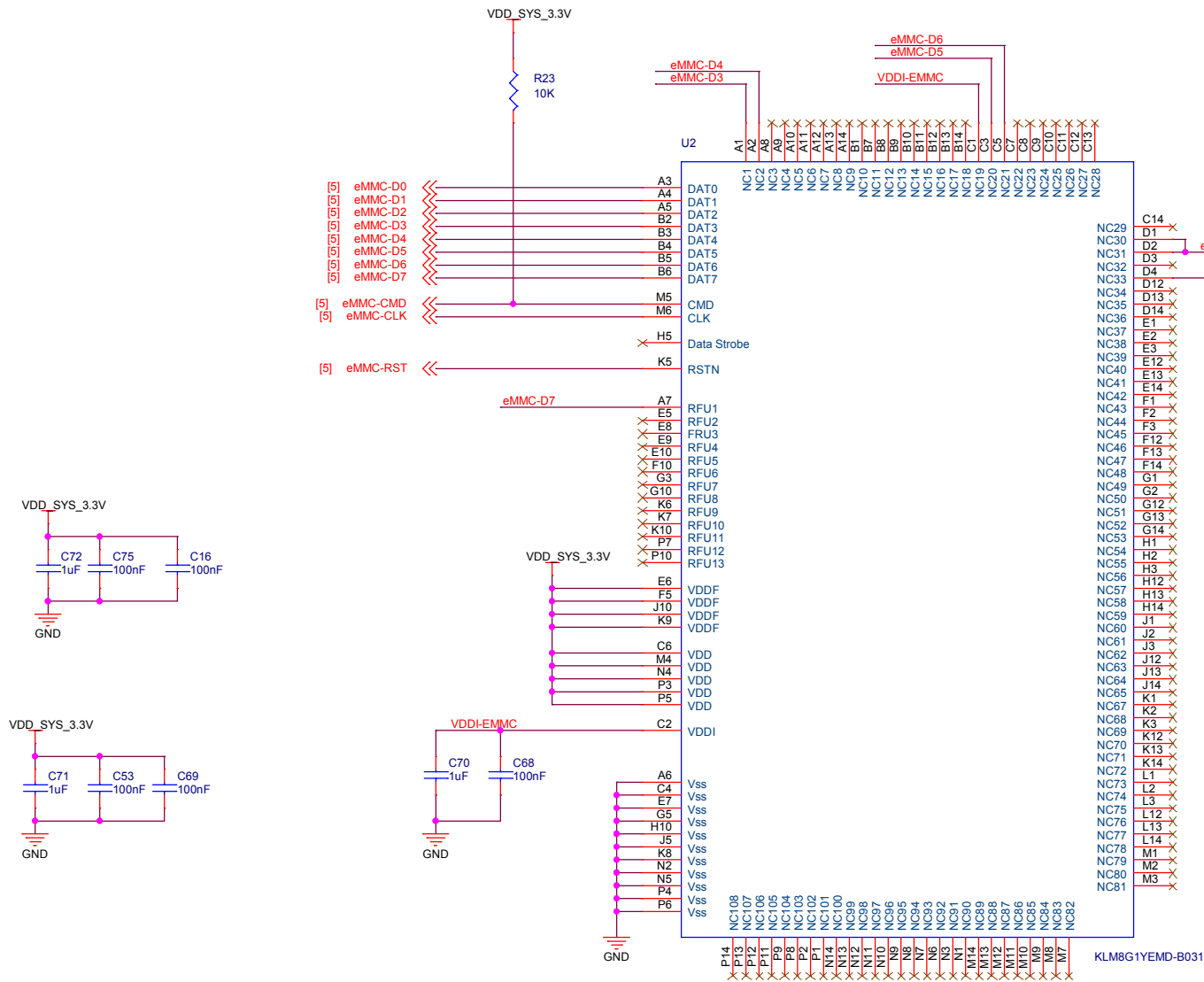


POWER 02



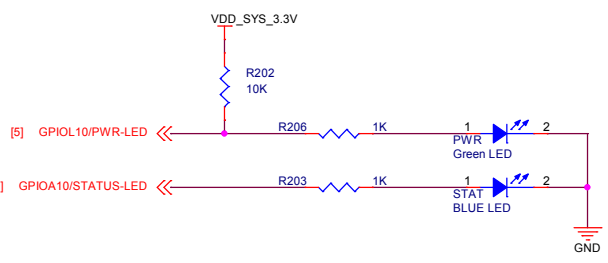
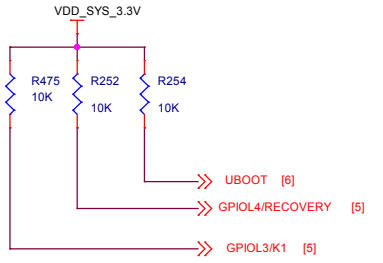
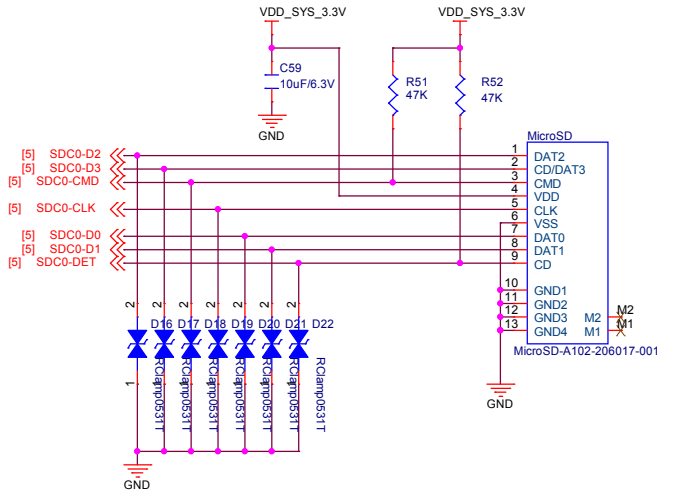
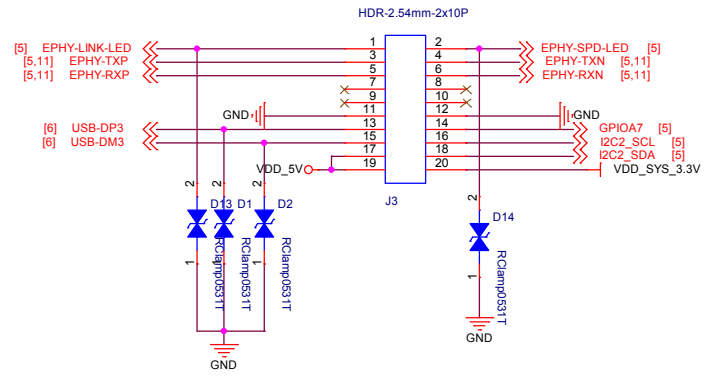
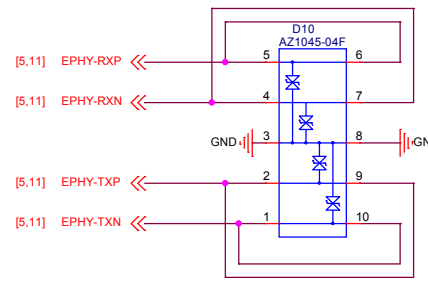
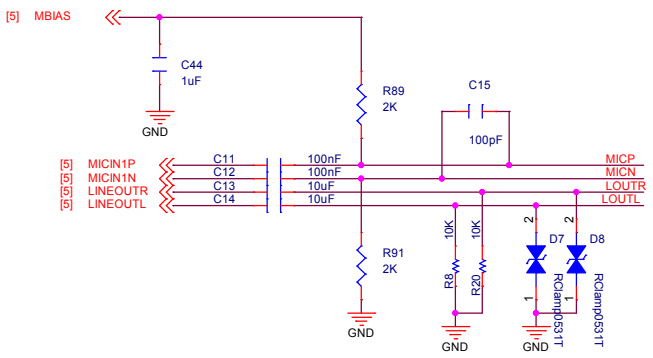
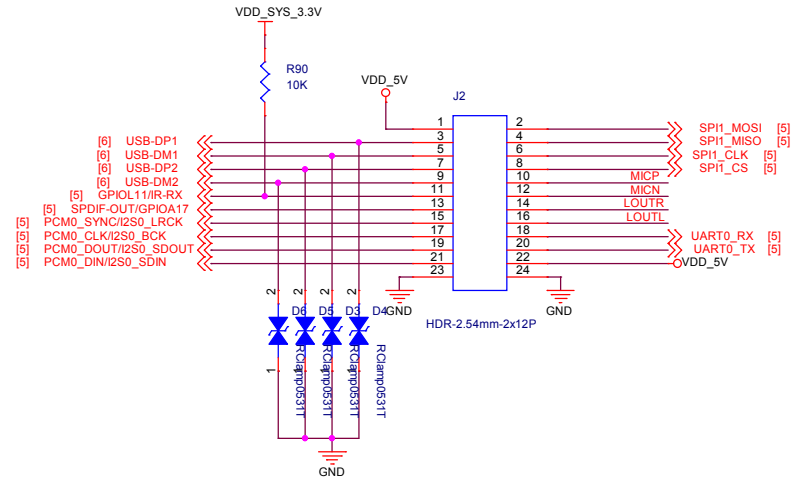
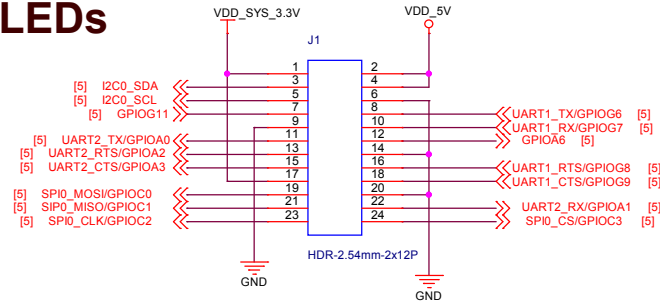
FRIENDLYARM

eMMC



NanoPi NEO Core		
Size B	Document Number eMMC	Rev 1705
Date:	Monday, November 27, 2017	Sheet 10 of 11

GPIO,Card,LEDs



NanoPi NEO Core		
Size A3	Document Number GPIO_Card_LEDs	Rev 1705
Date: Monday, November 27, 2017	Sheet 11	of 11