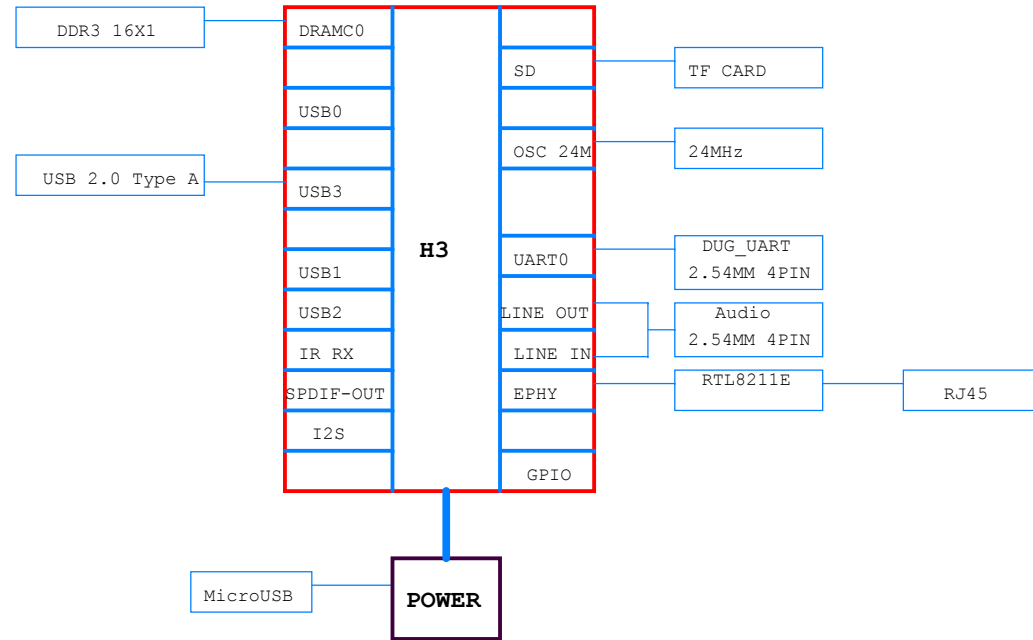


ZeroPi

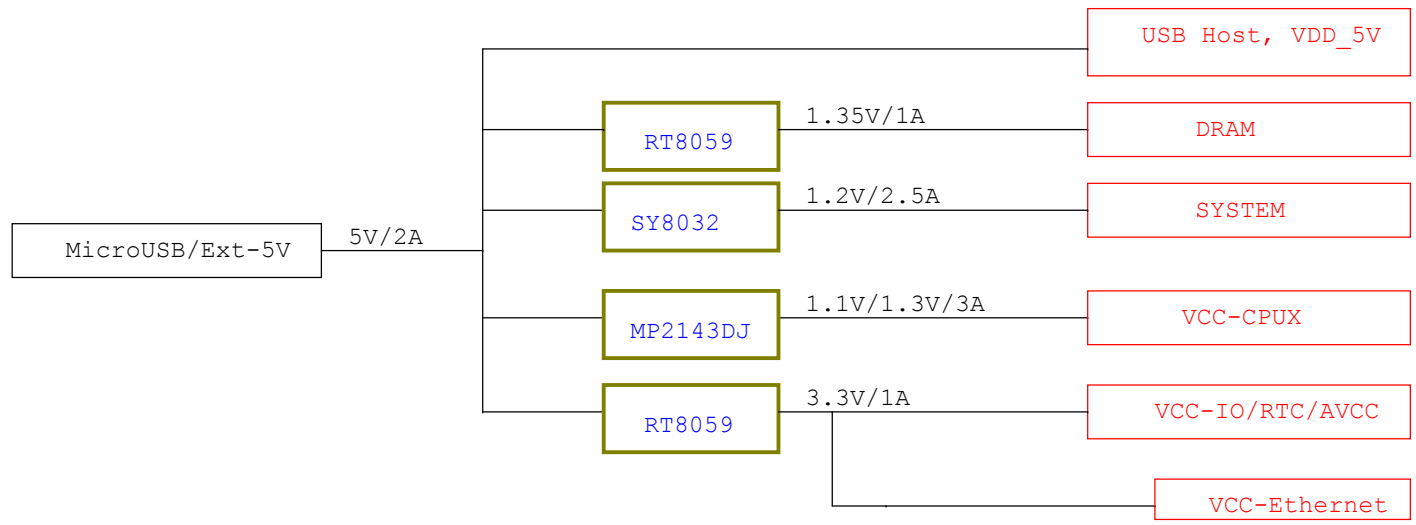


ZeroPi		
Size	Document Number	Rev
A3	01:Title	v1.0 1908
Date:	Monday, July 29, 2019	Sheet 1 of 11

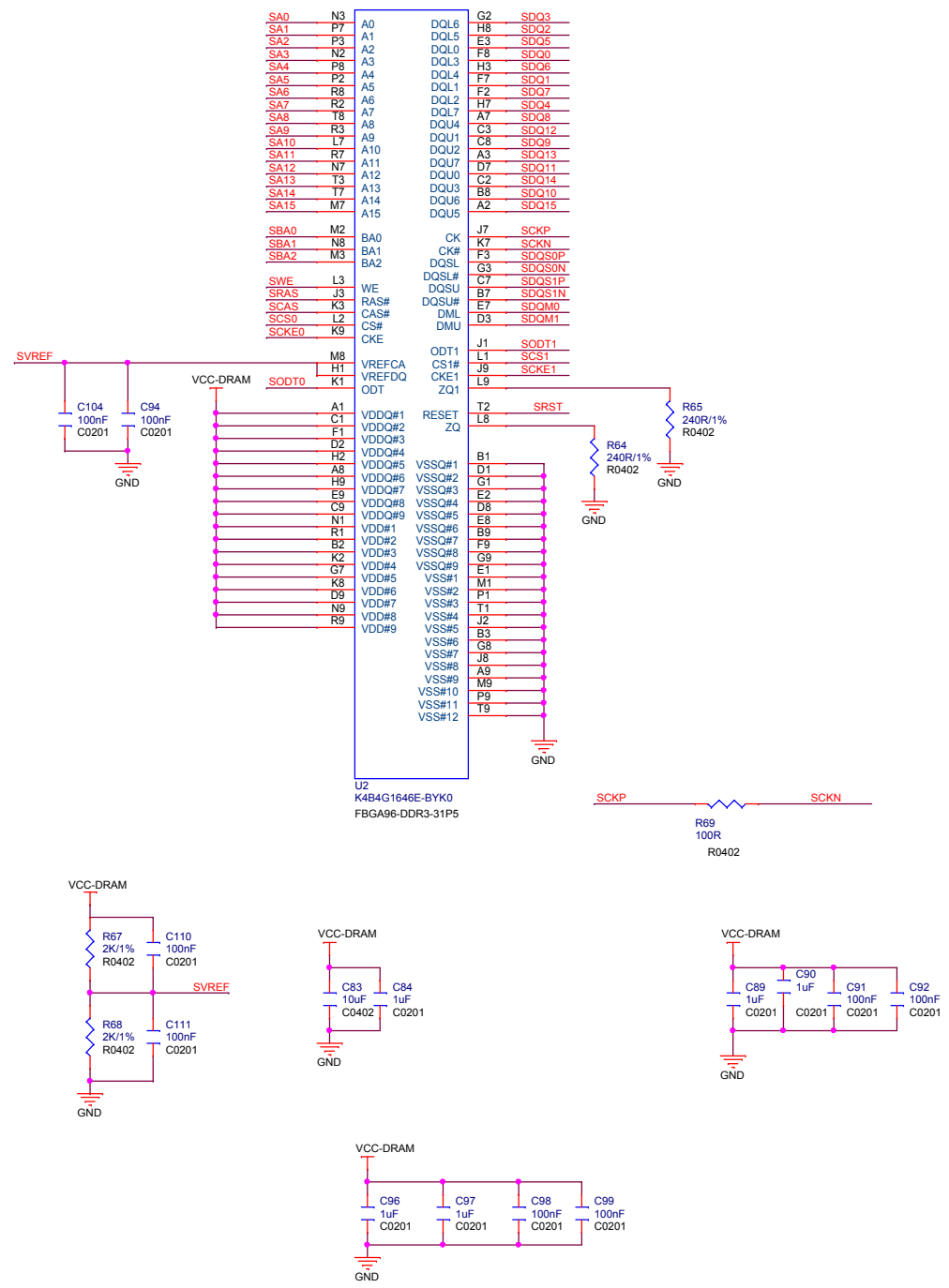
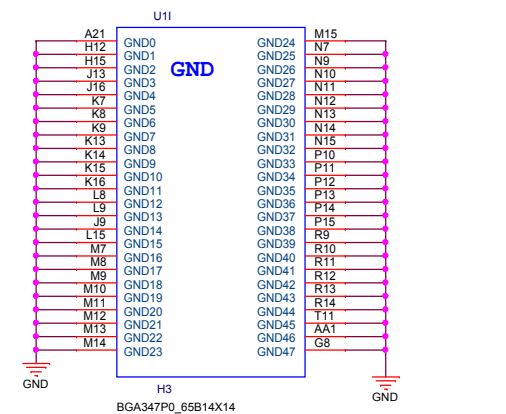
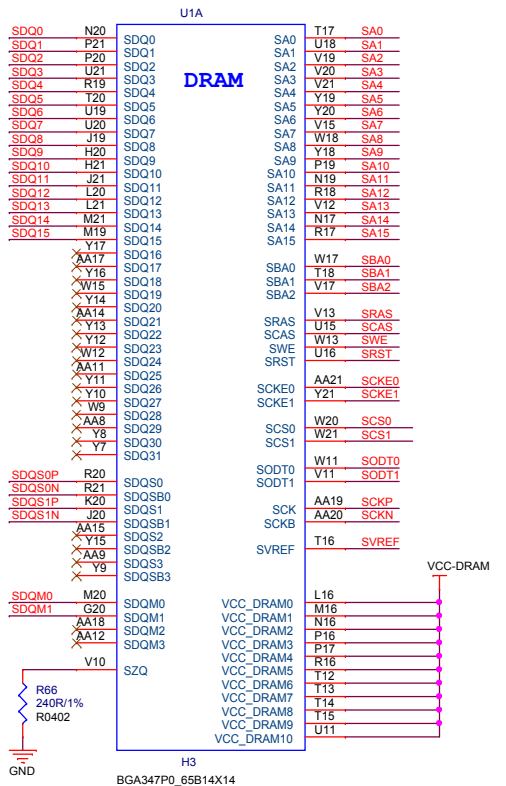
BLOCK



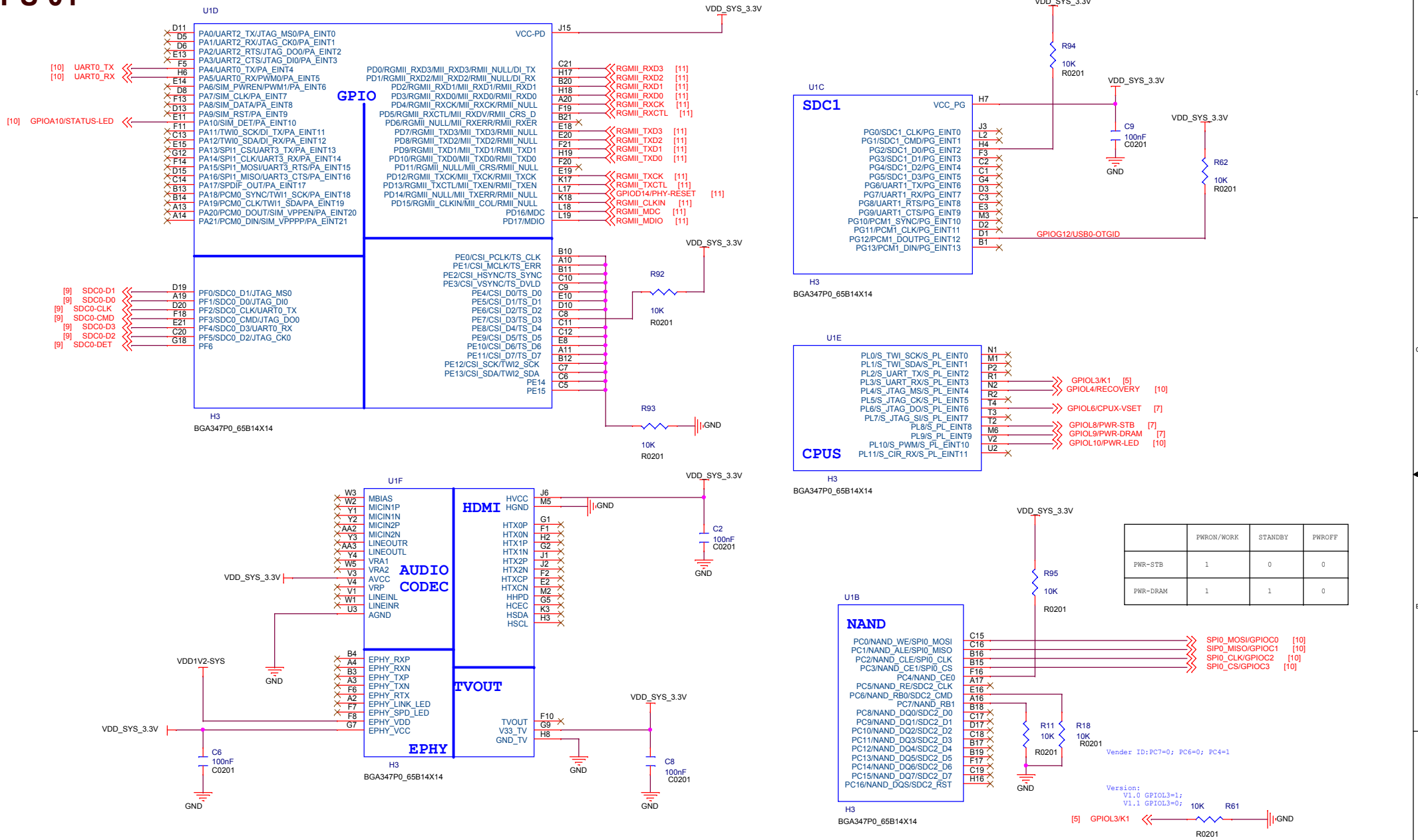
POWER TREE



DDR3 16x1



CPU 01

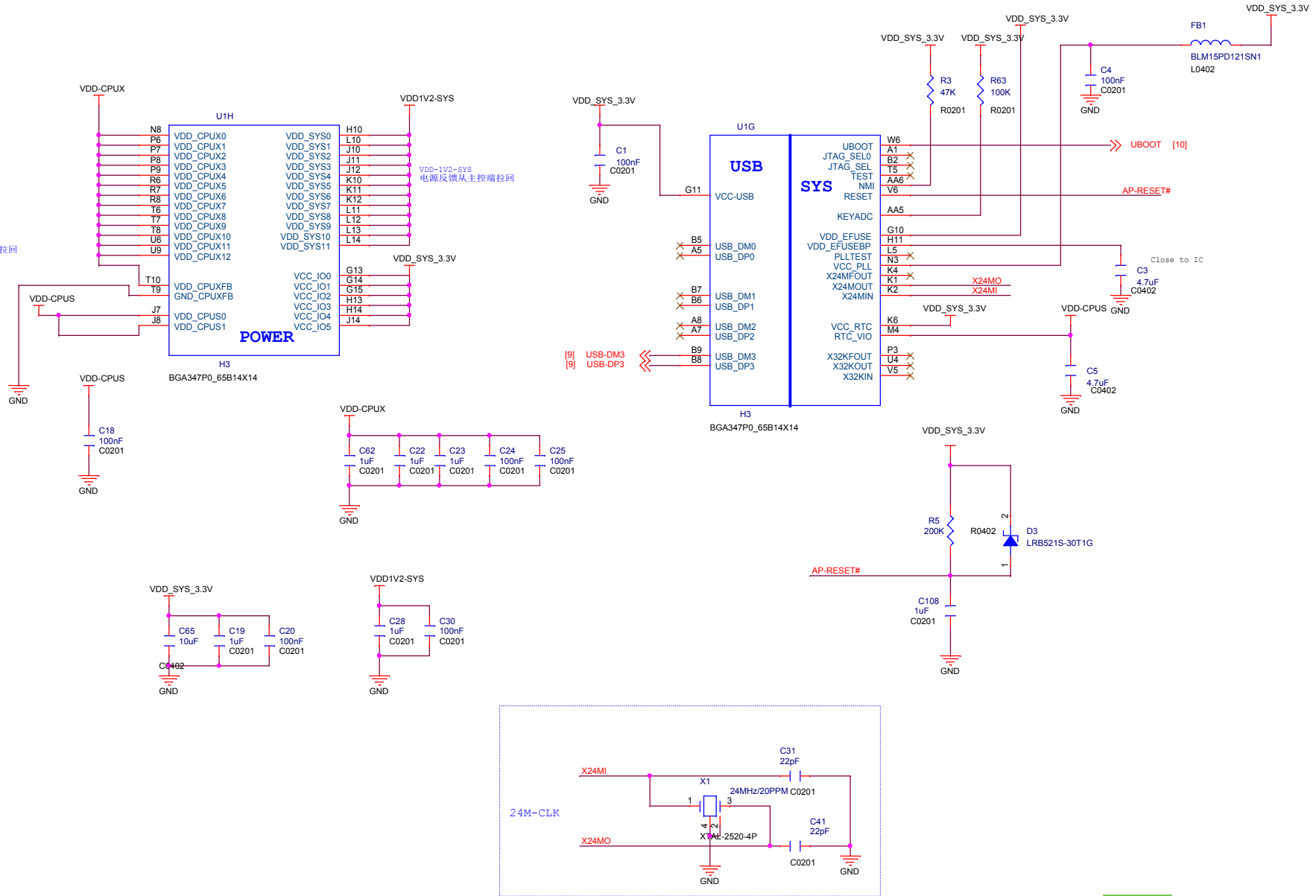


	PWRON/WORK	STANDBY	PWROFF
PWR-STB	1	0	0
PWR-DRAM	1	1	0



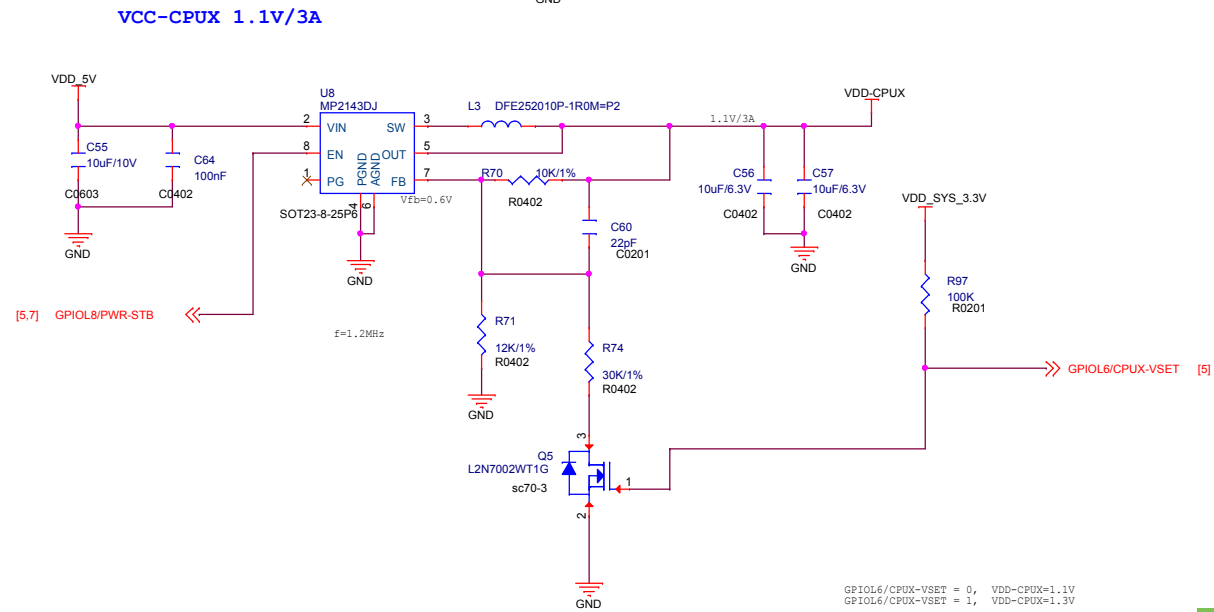
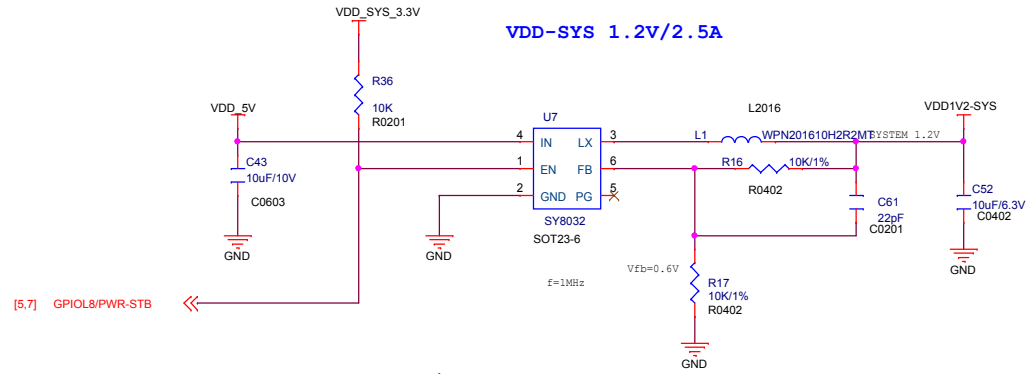
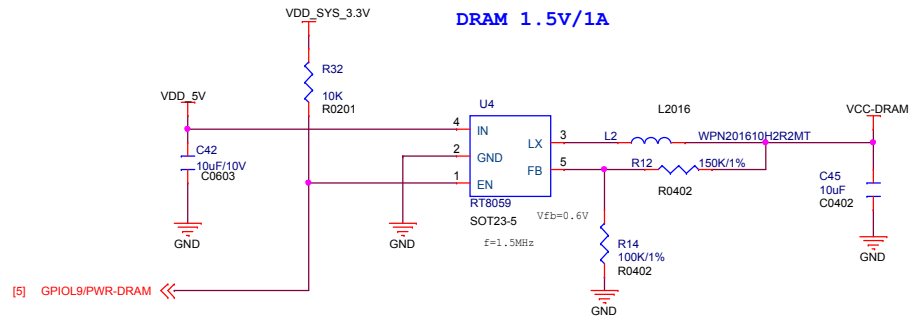
CPU 02

CPUX 电源反馈从主控端拉回



ZeroPi		
Size A3	Document Number 06:CPU-H3-02	Rev v1.0 1908
Date: Thursday, September 05, 2019	Sheet 6	of 11

POWER 01

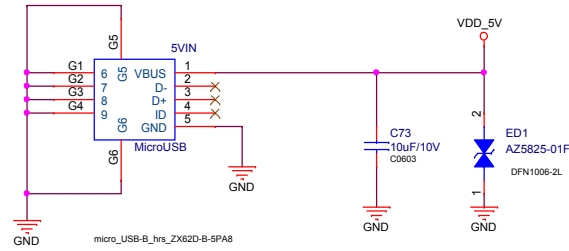


GPIOI6/CPUX-VSET = 0, VDD-CPUX=1.1V
 GPIOI6/CPUX-VSET = 1, VDD-CPUX=1.3V

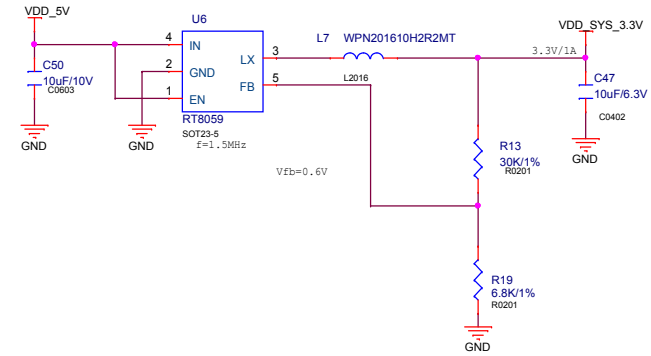


ZeroPi		
Size A3	Document Number 07:Power-01	Rev v1.0 1908
Date: Thursday, September 05, 2019	Sheet 7 of 11	

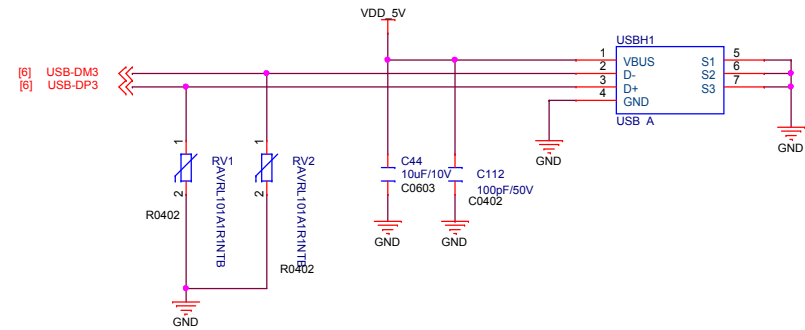
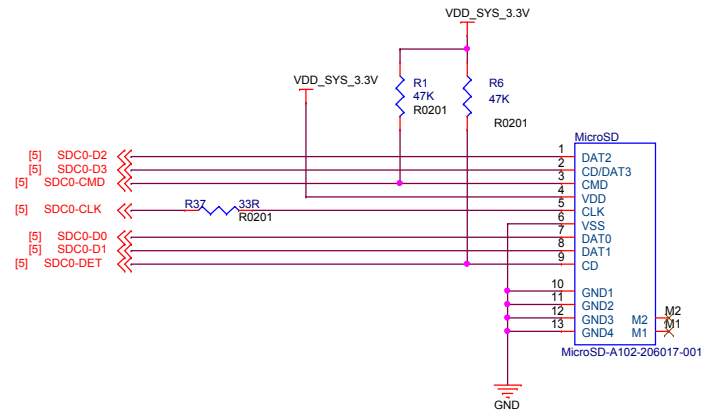
POWER 02



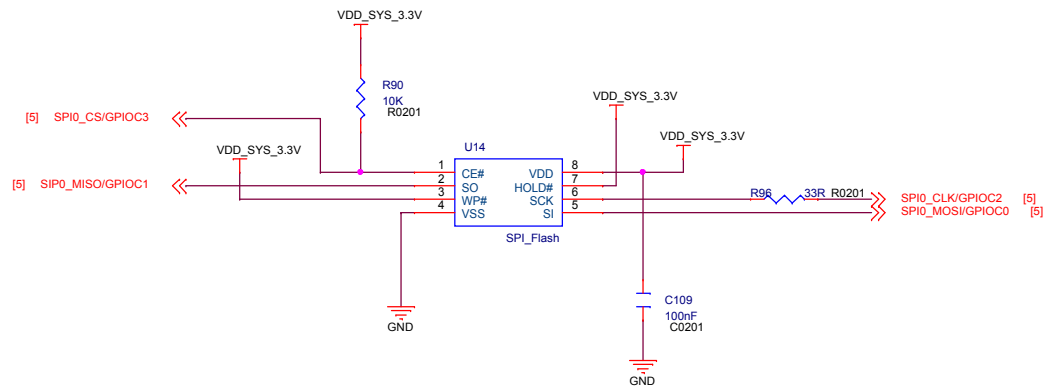
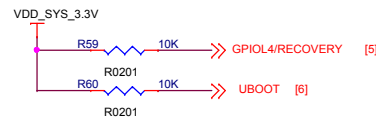
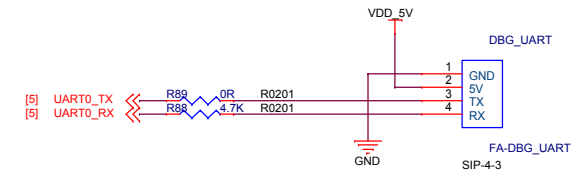
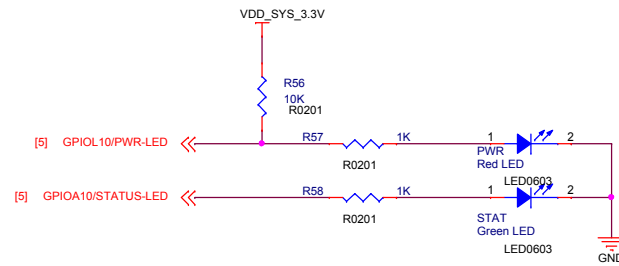
VCC-IO 3.3V/1A



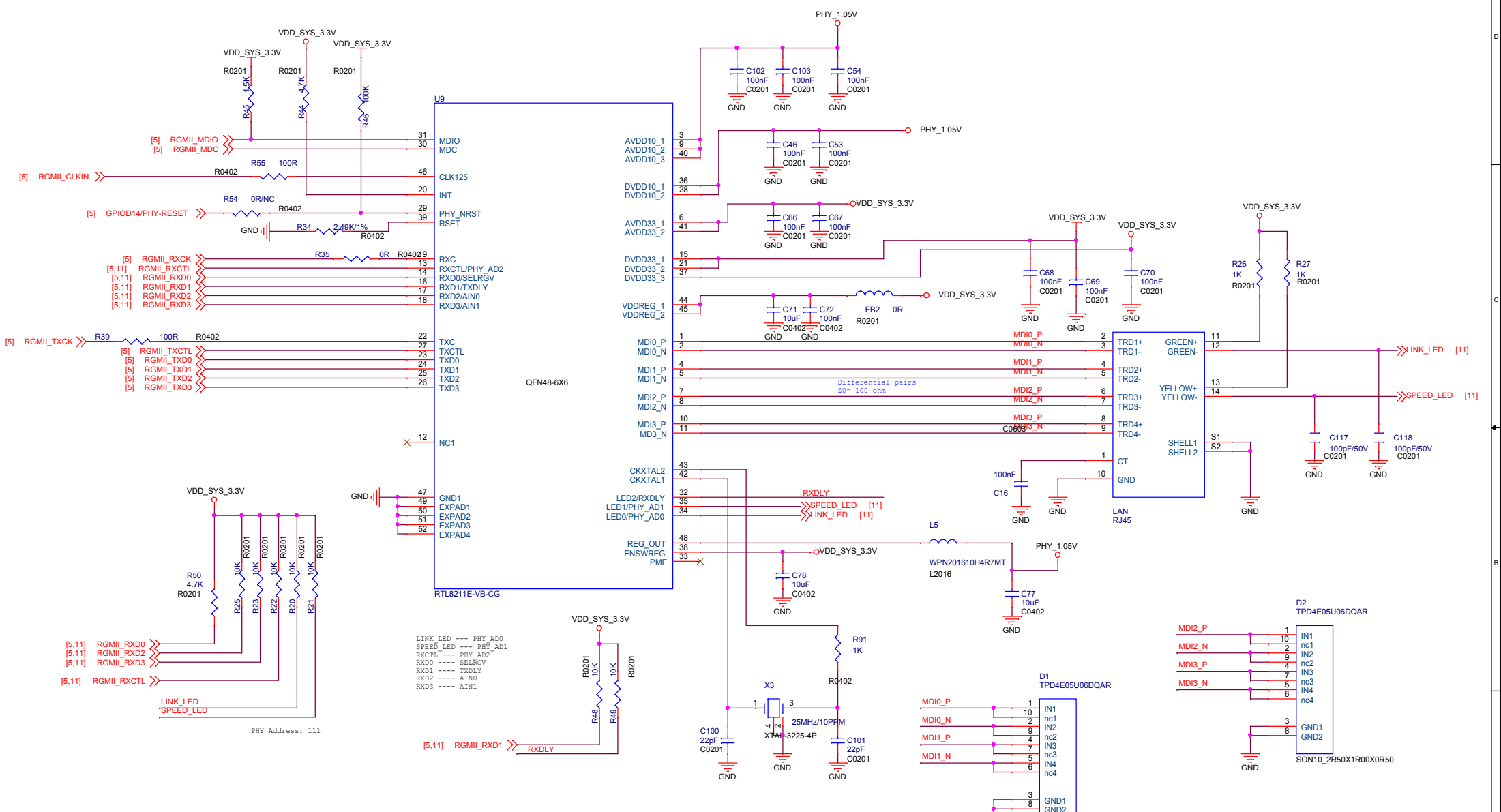
TF Card,USB Host



GPIO, DBG_UART, Audio, LEDs



10/100/1000M Ethernet



FRIENDLY ELEC

ZeroPi		
Size A3	Document Number 12:10/100/1000M Ethernet	Rev v1.0 1908
Date: Thursday, September 05, 2019	Sheet 11	of 11