

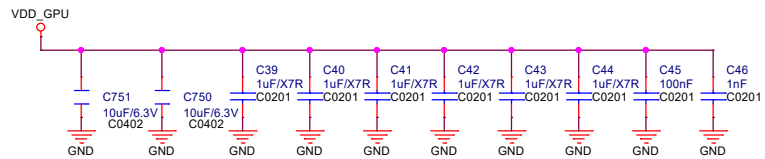
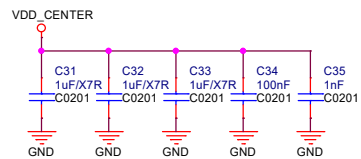
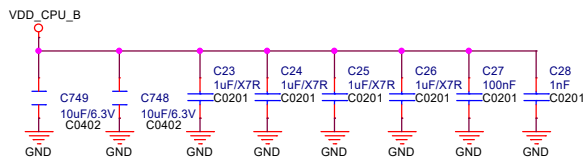
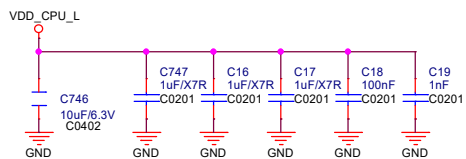
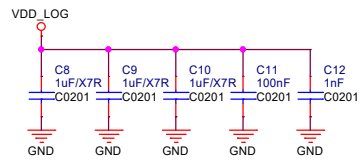
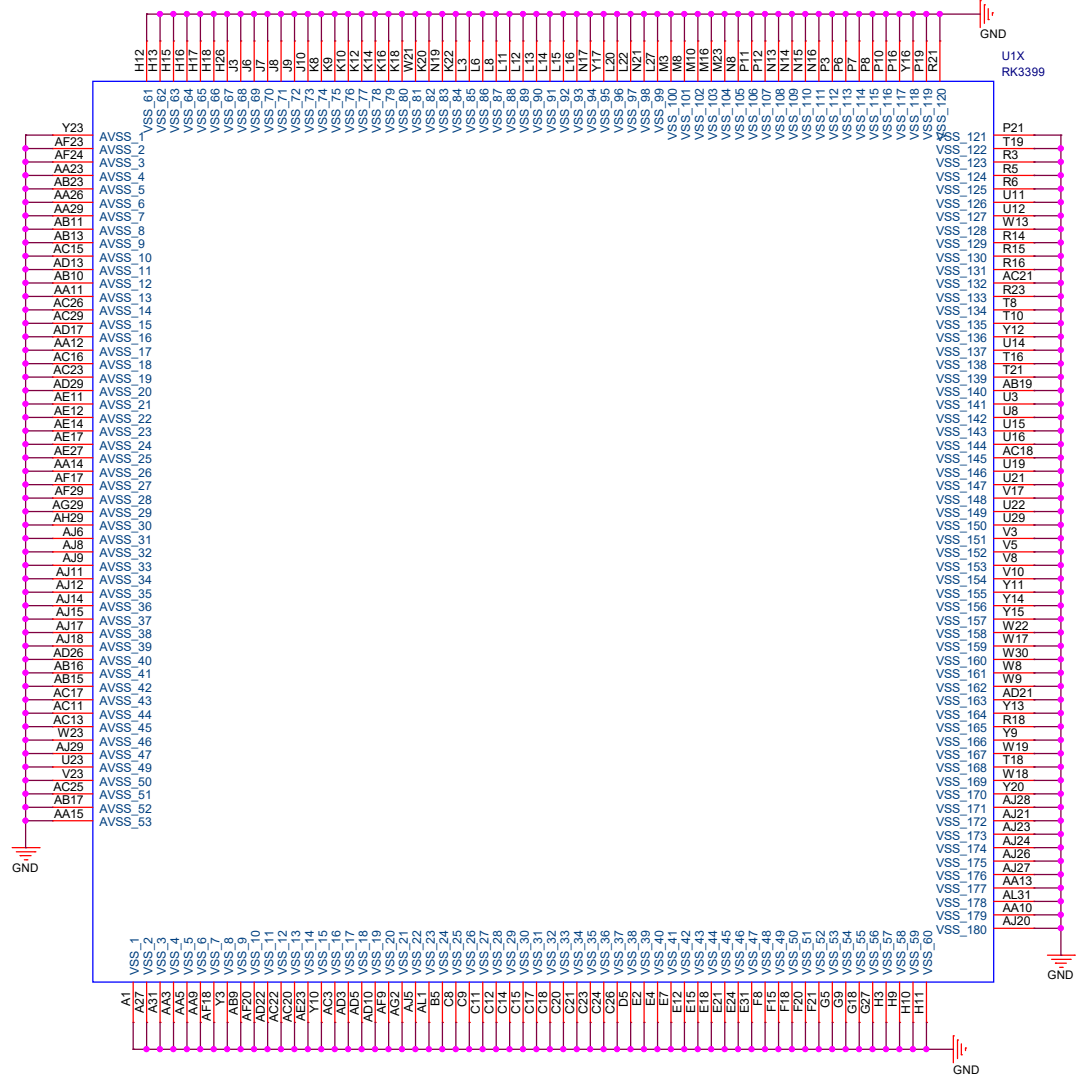
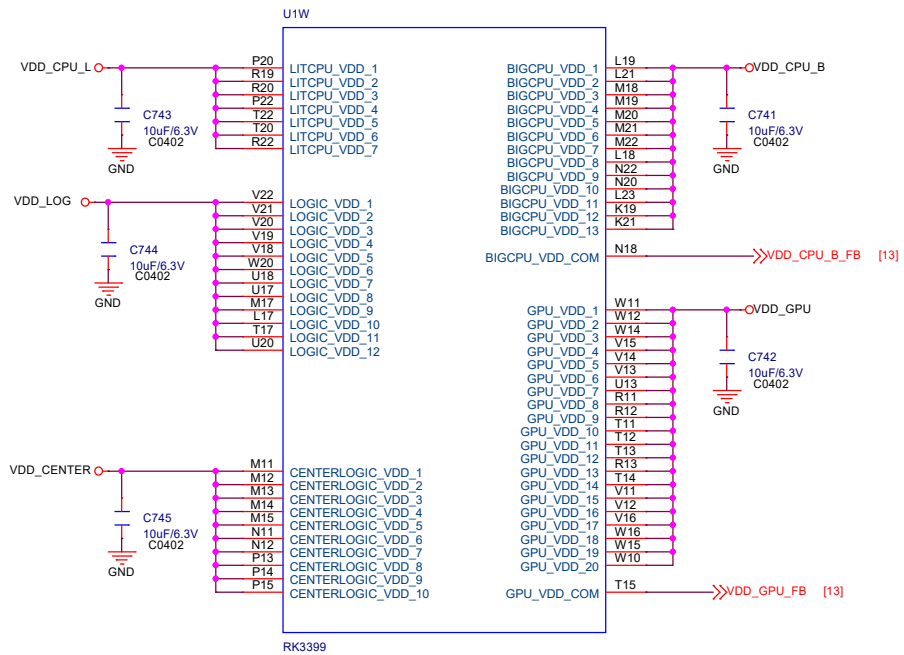
SOM-RK3399v2

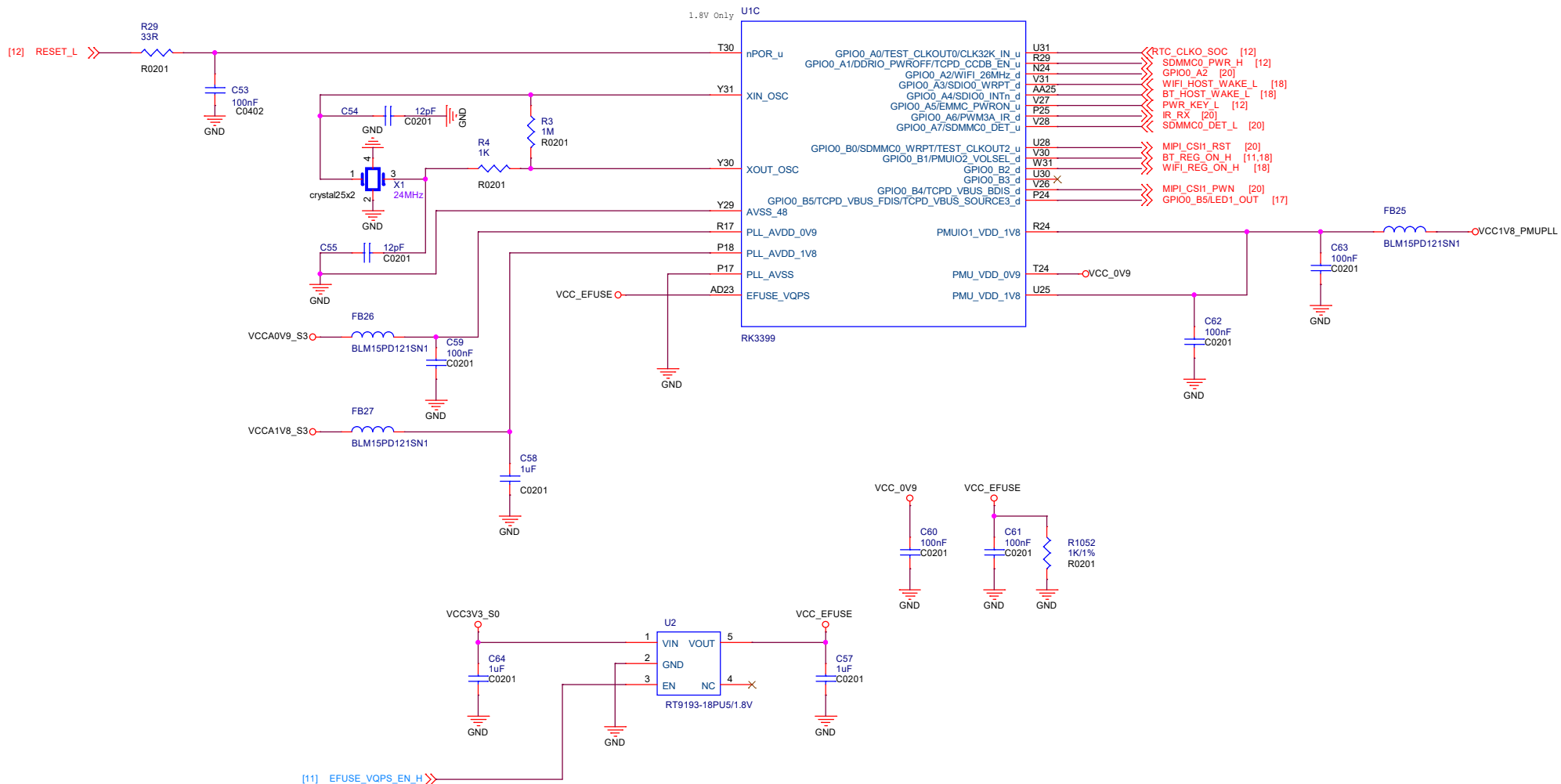
Revision 1910

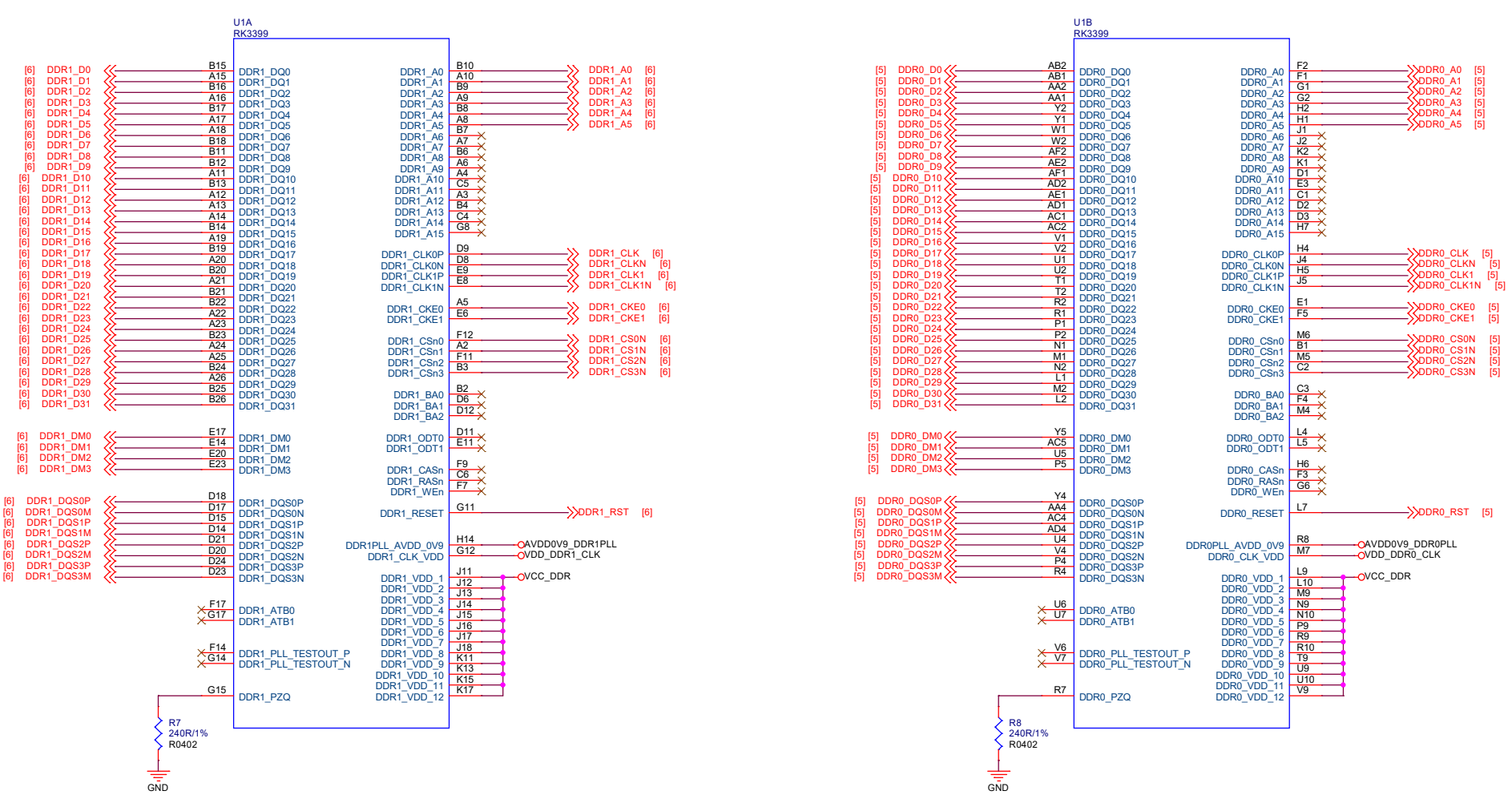
I2C device list :
I2C0 (3V), SYR838PKC, SYR837, RK808-D
I2C1 (1.8V) CSI0, ALC5651,
I2C2 (1.8V) CSI1, M.2
I2C3 (3V)
I2C4 (1.8V), Type-C FUSB302MPX
I2C5
I2C6
I2C7 (1.8V) HDMI
I2C8



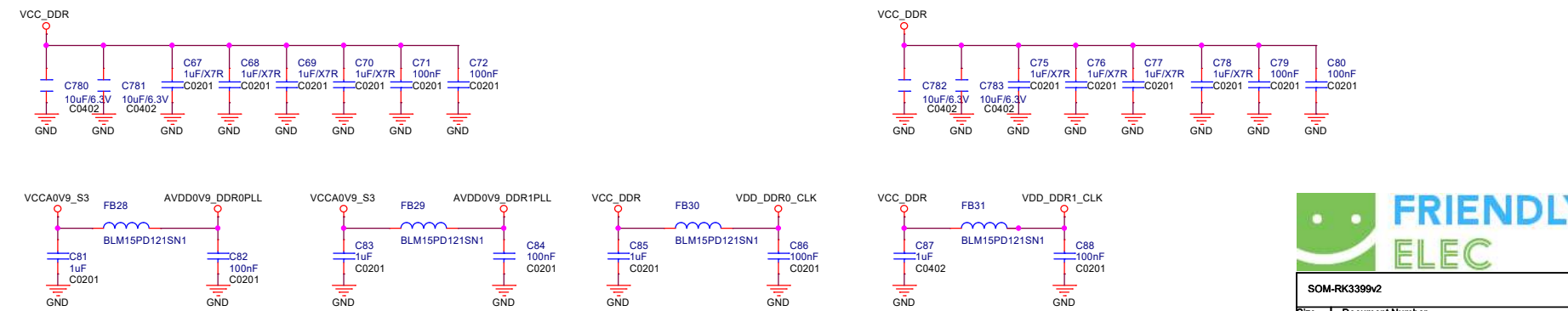
SOM-RK3399v2		
Size A3	Document Number 01.Title	Rev 1910
Date: Sunday, April 26, 2020	Sheet 1	of 21

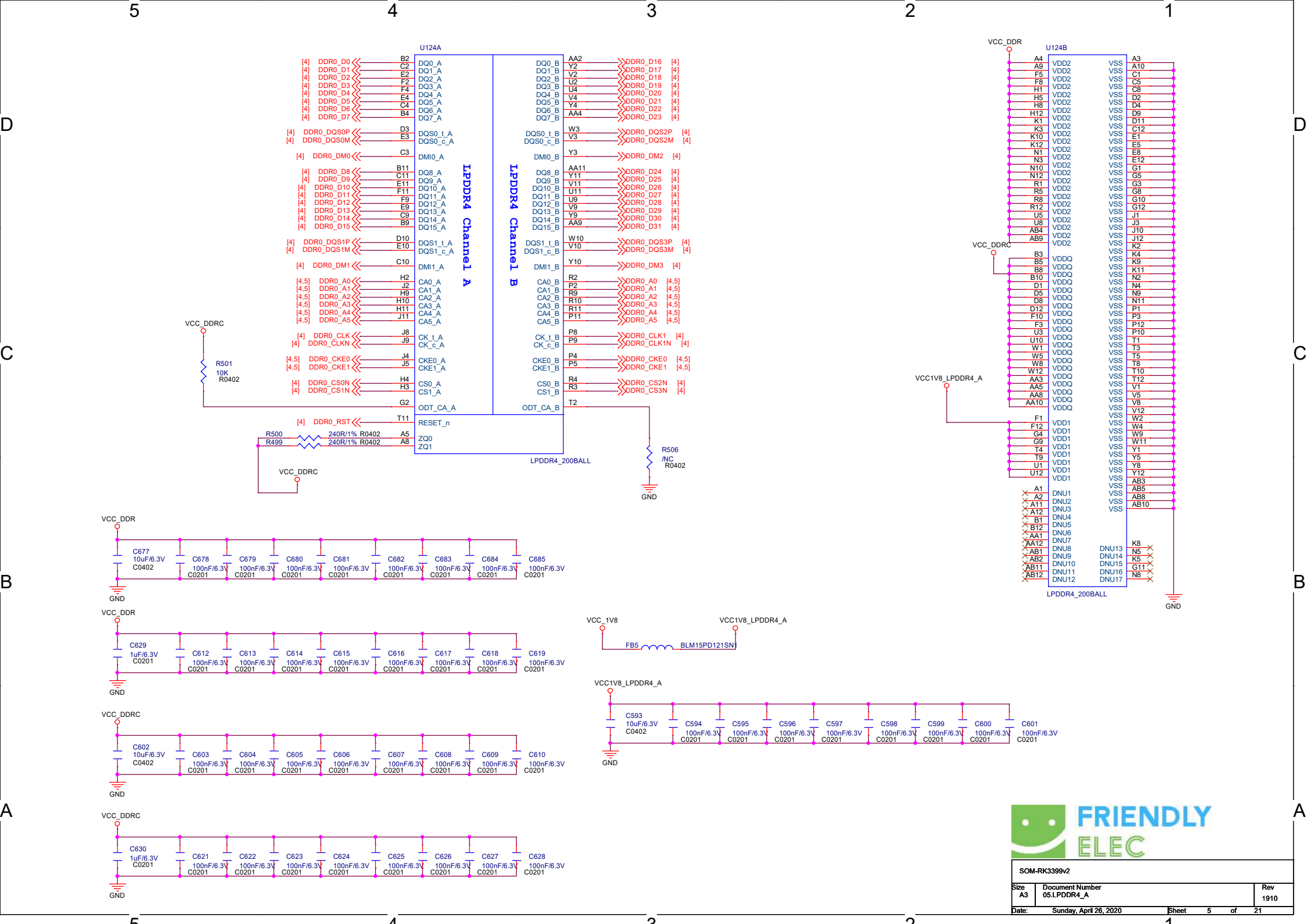


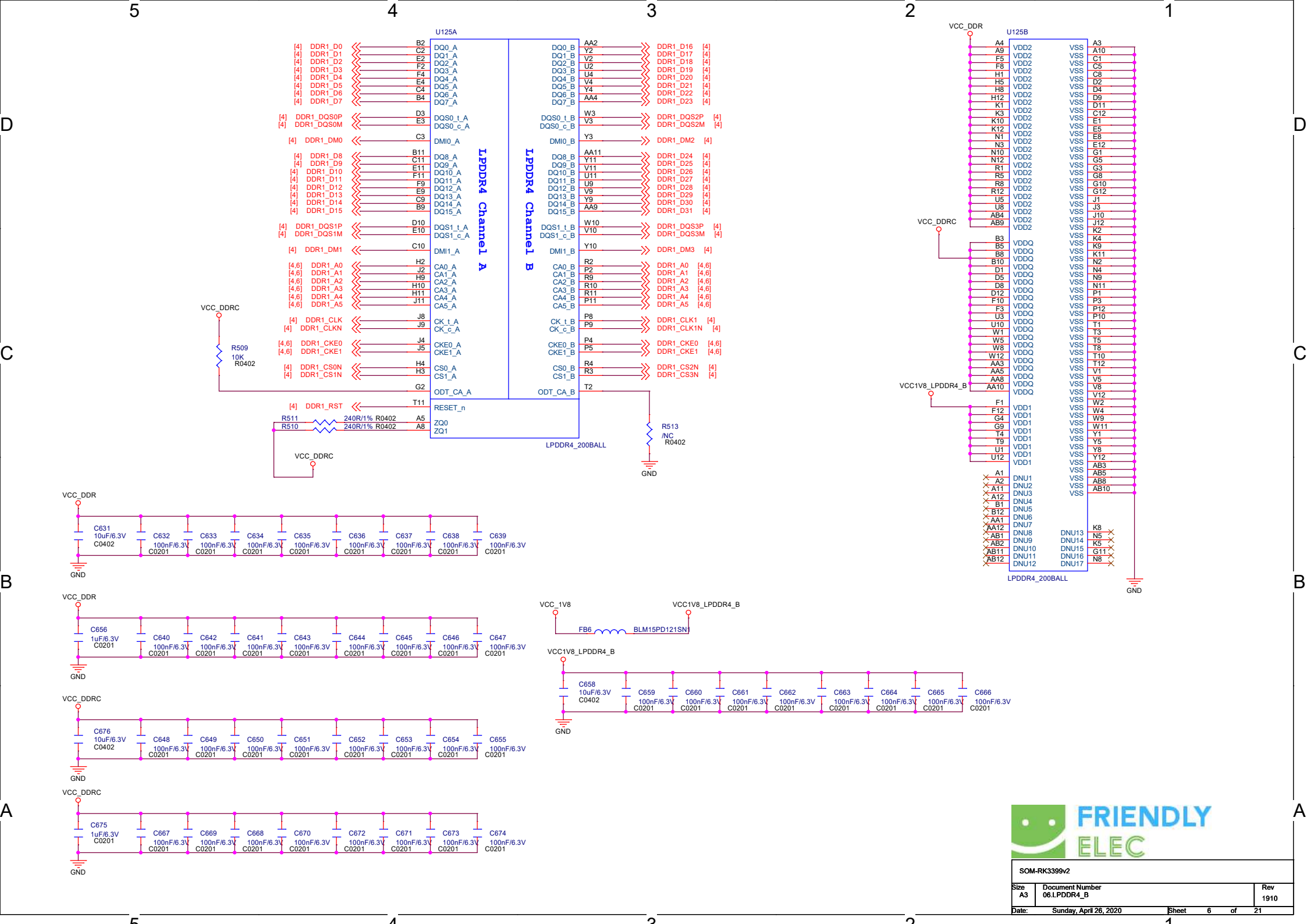


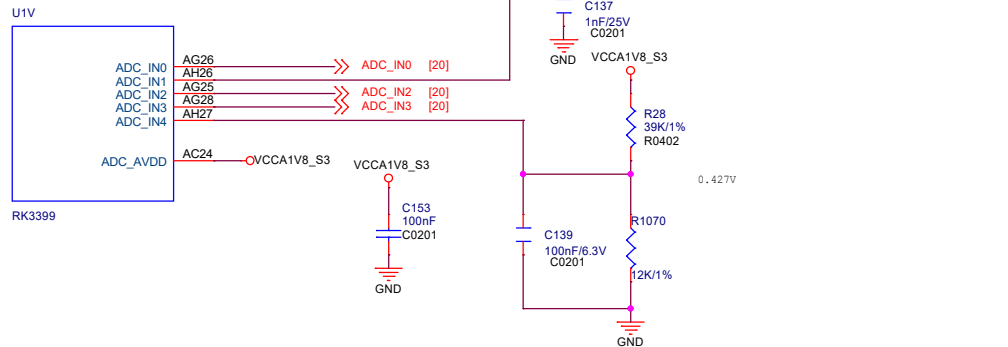
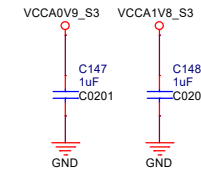
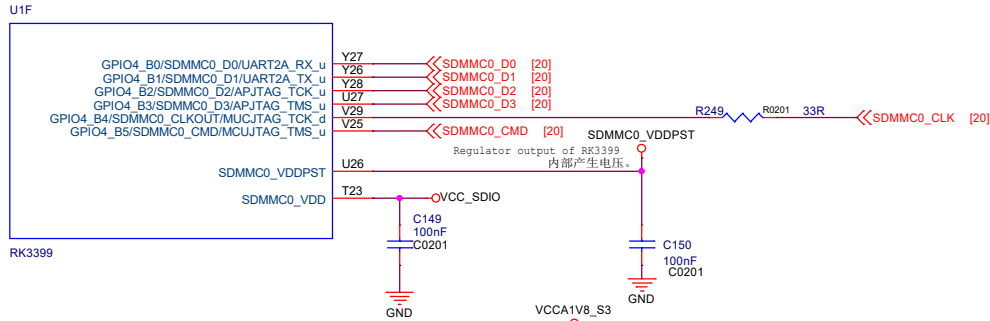
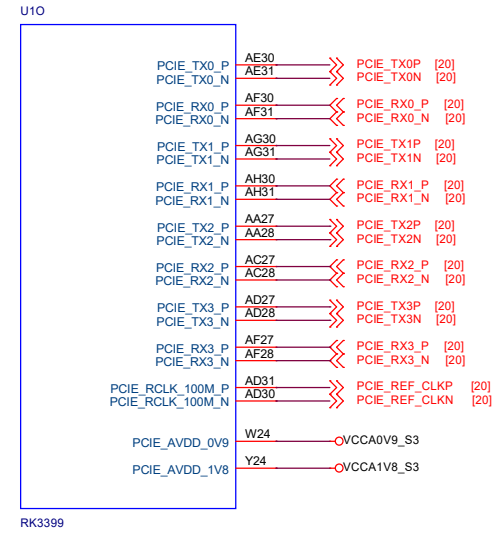
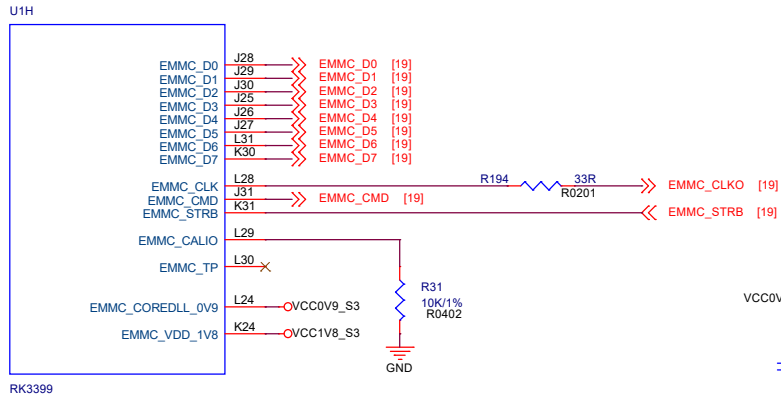


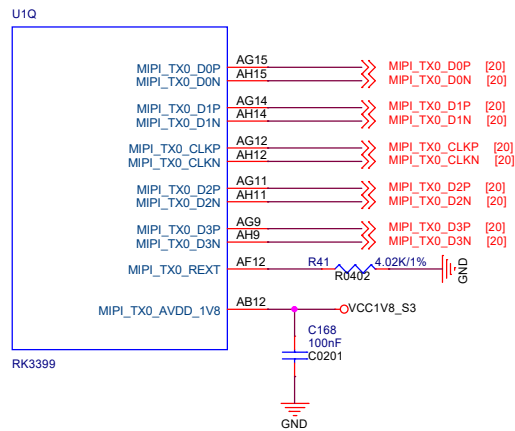
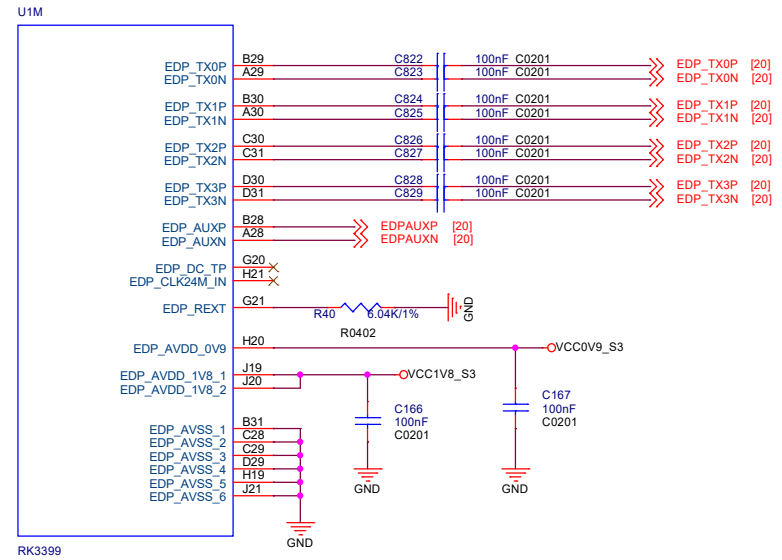
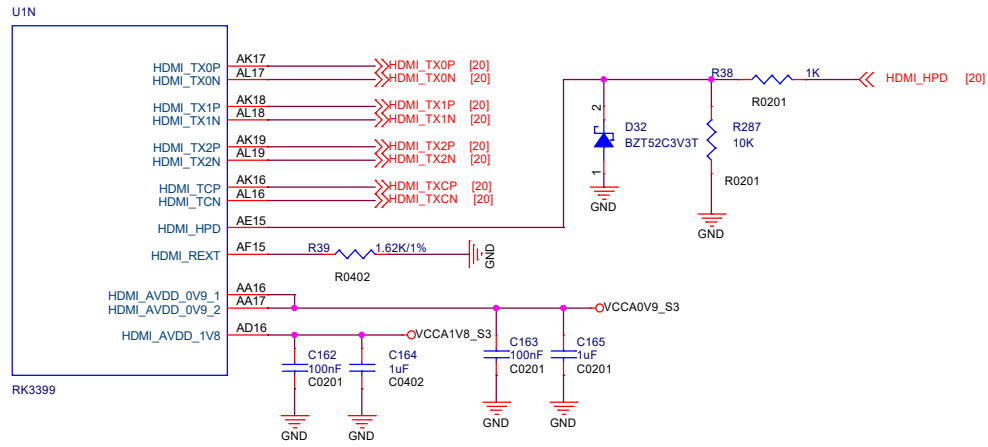
DDR FILTER

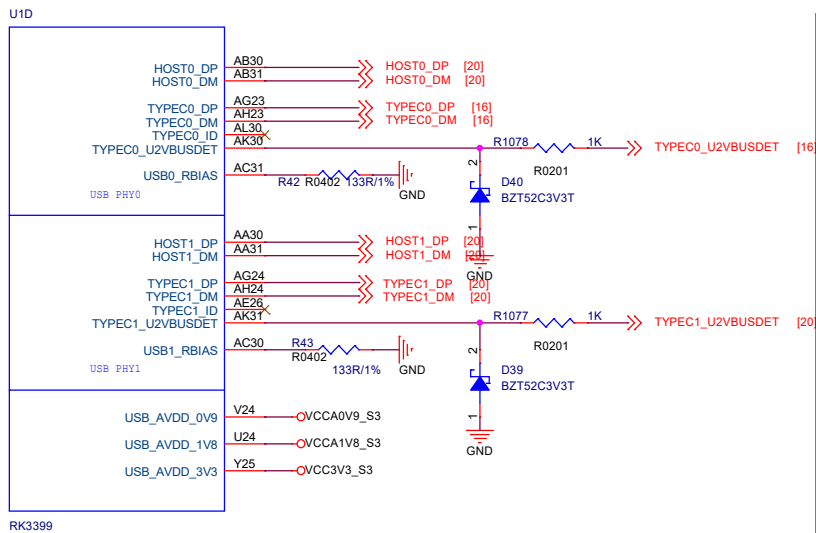




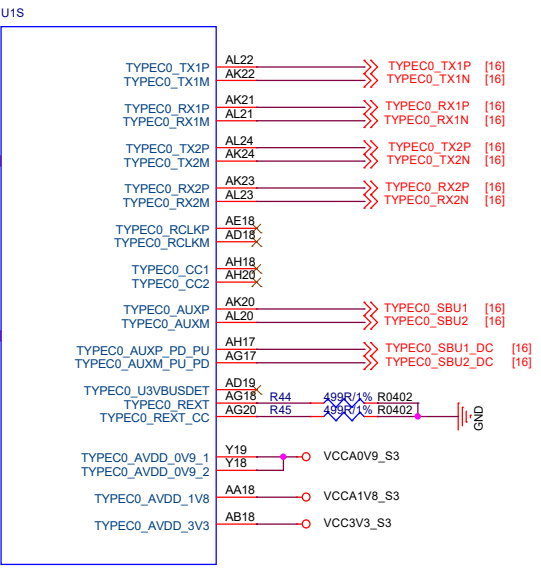
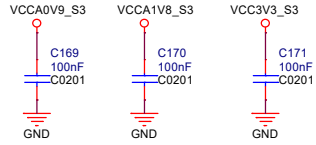




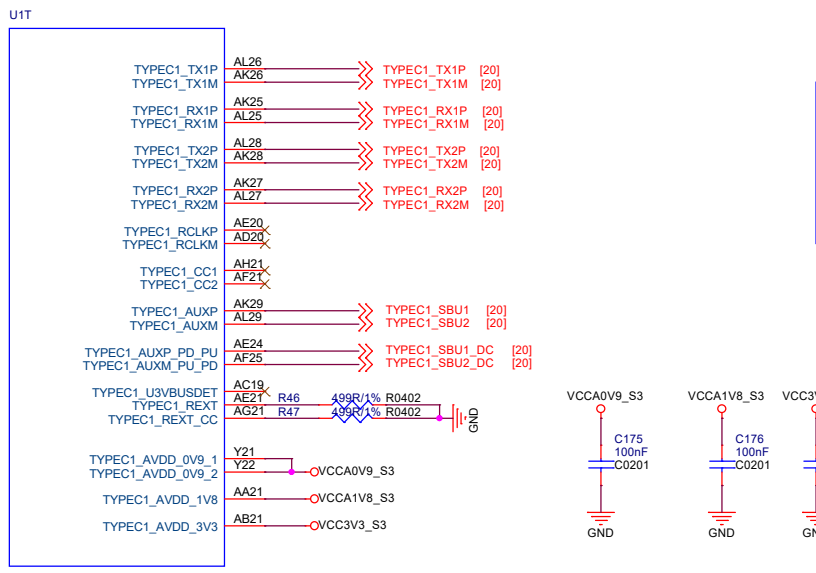
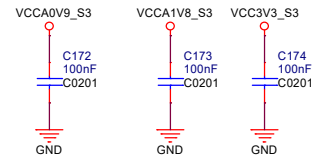




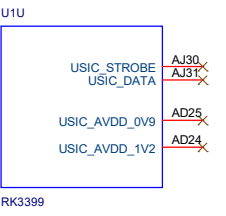
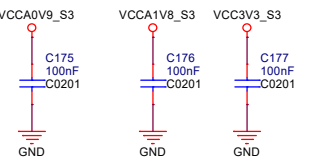
RK3399



RK3399

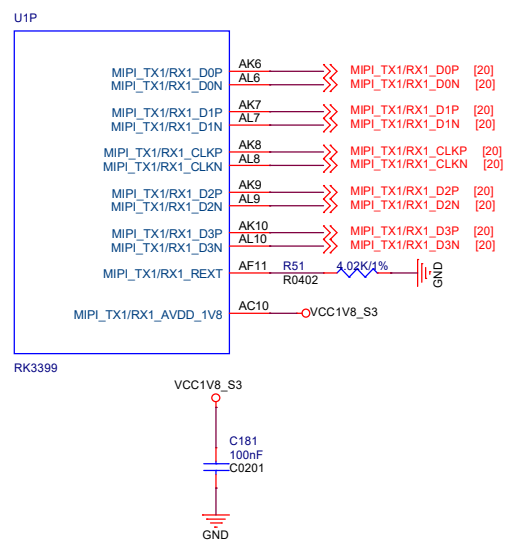
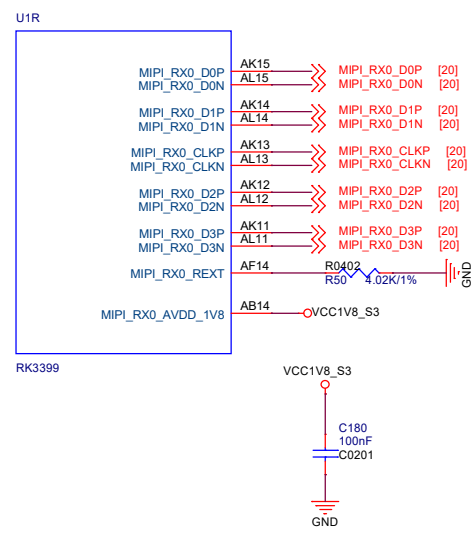
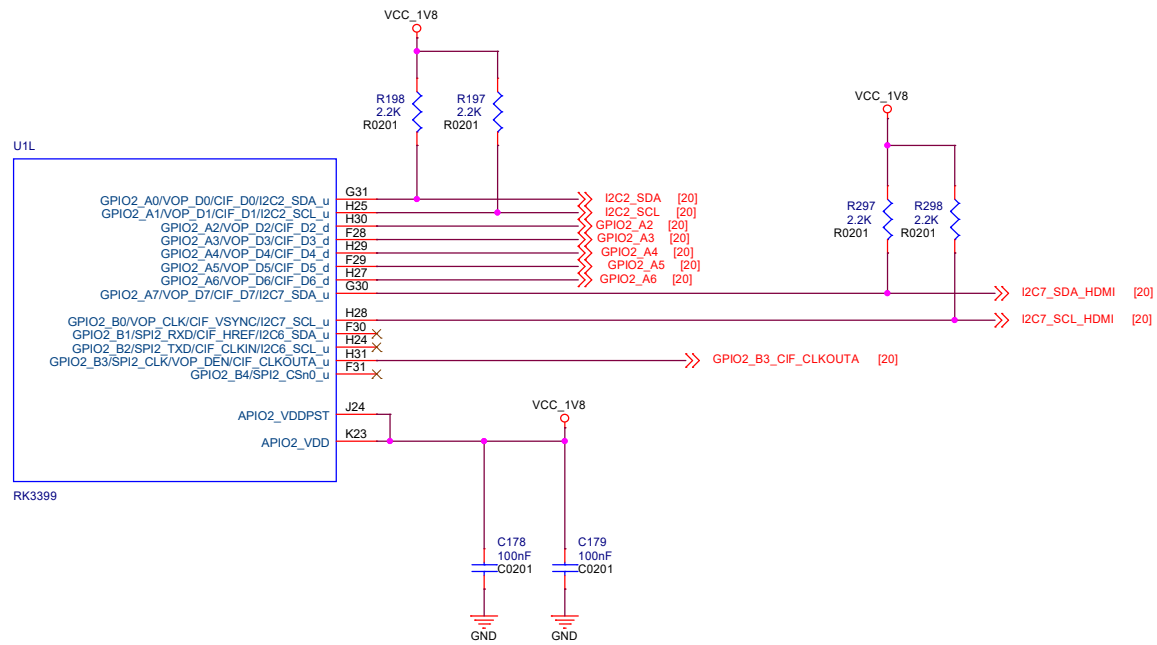


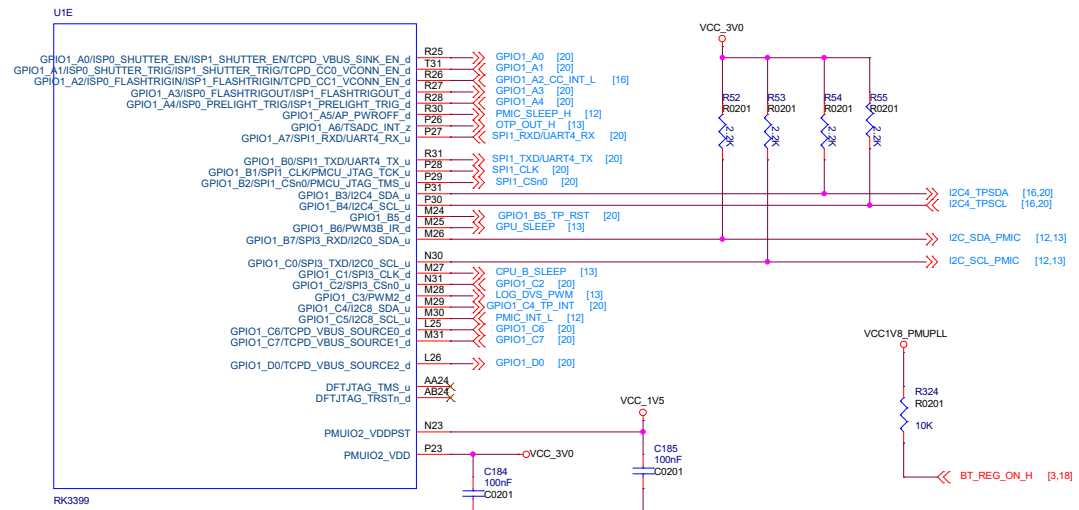
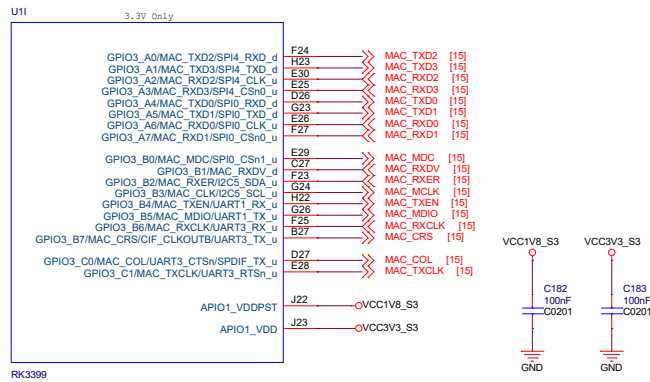
RK3399



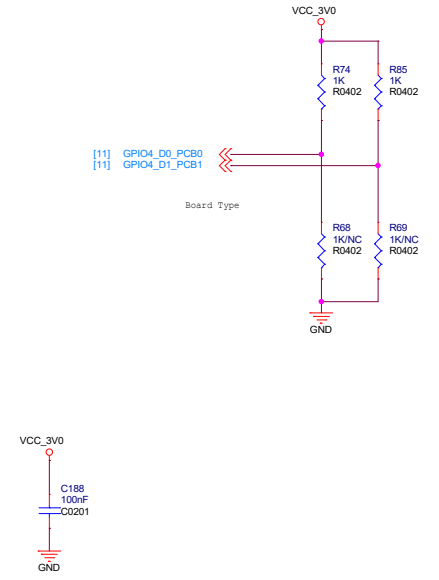
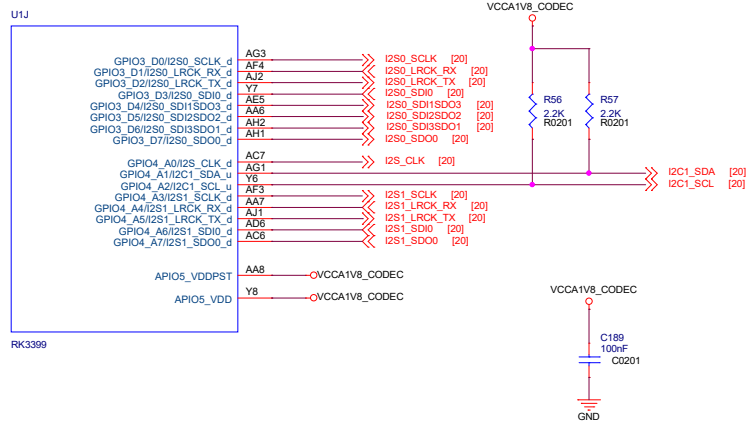
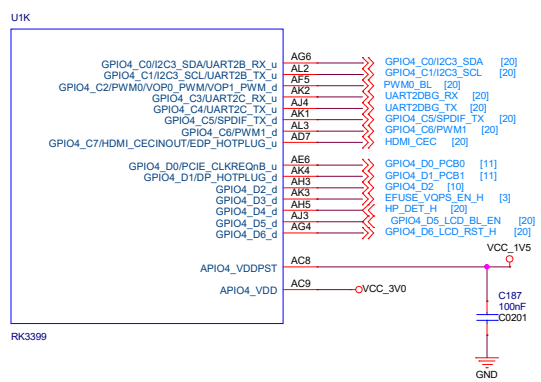
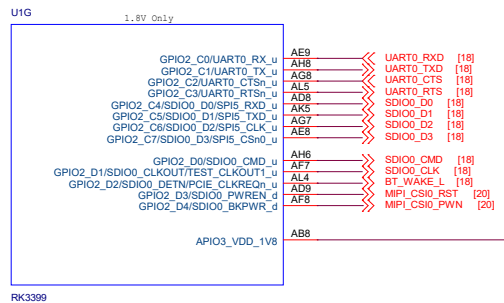
RK3399



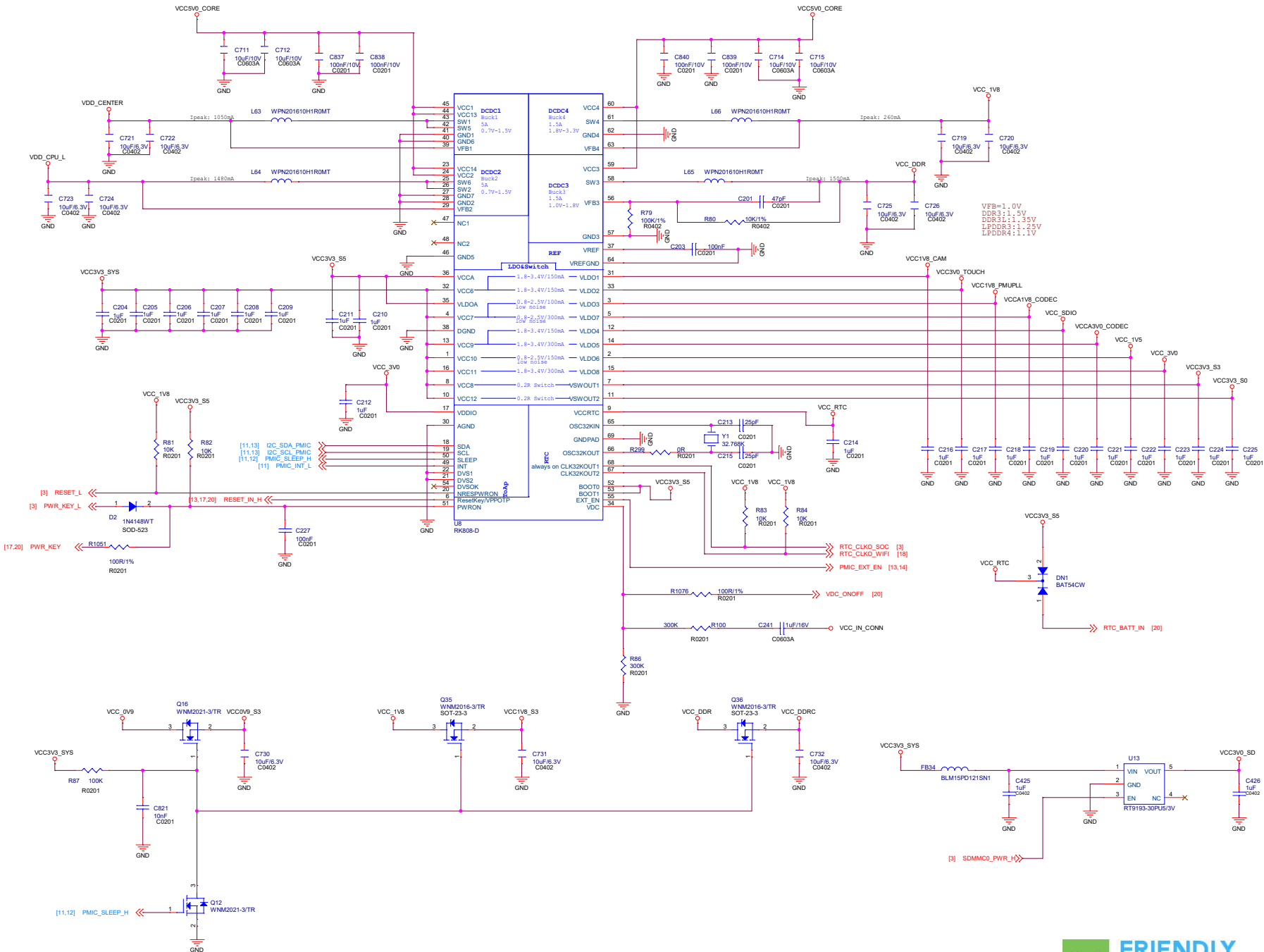


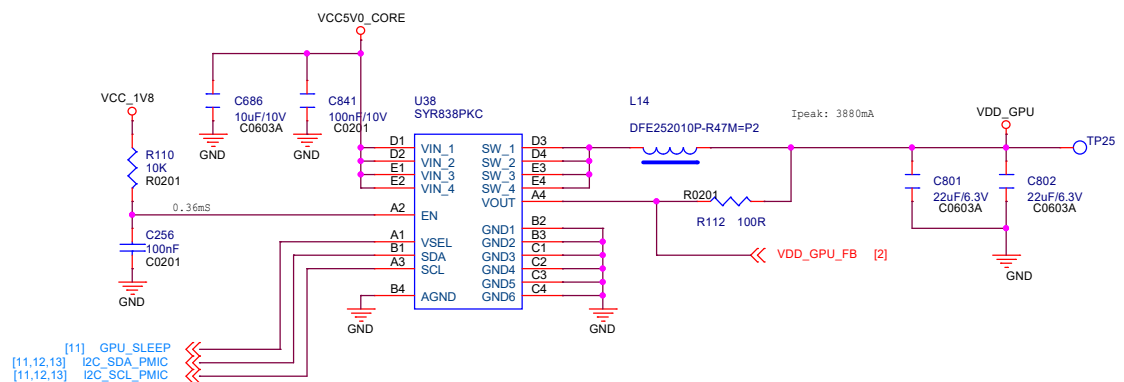


1.8V Only	VDDPST=VDDIO=1.8V
3.3V Only	VDDPST=1.8V, VDDIO=3.3V
other	3.0V mode: VDDPST=1.5V, VDDIO=3.0V 1.8V mode: VDDPST=1.8V, VDDIO=1.8V

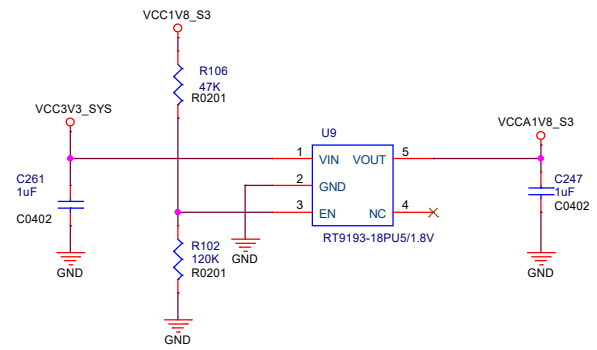
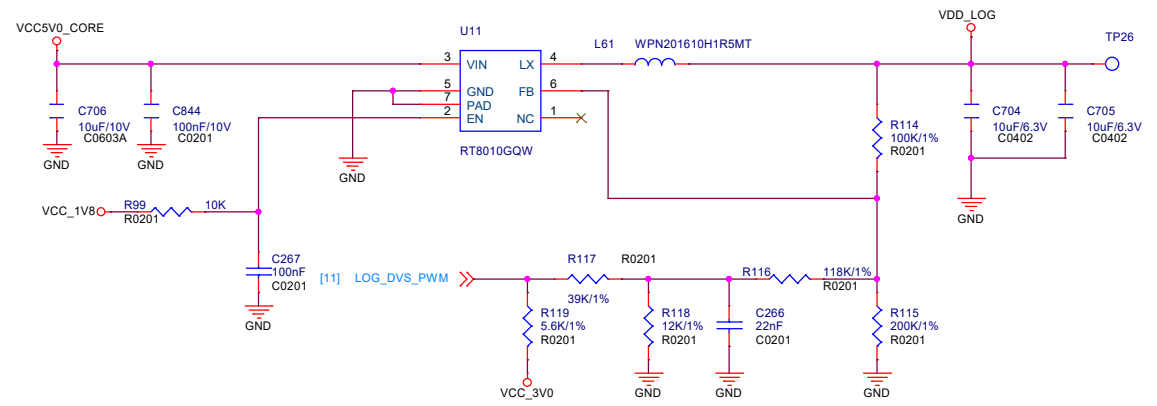
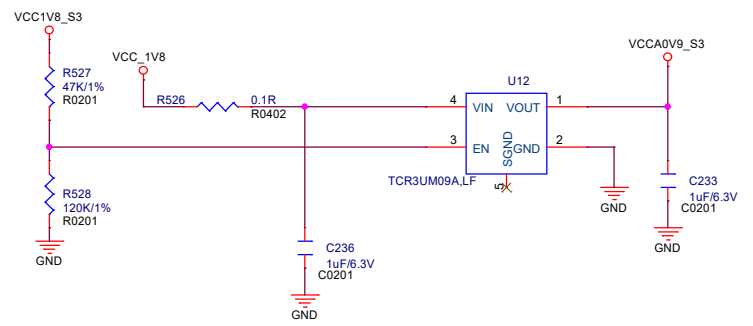
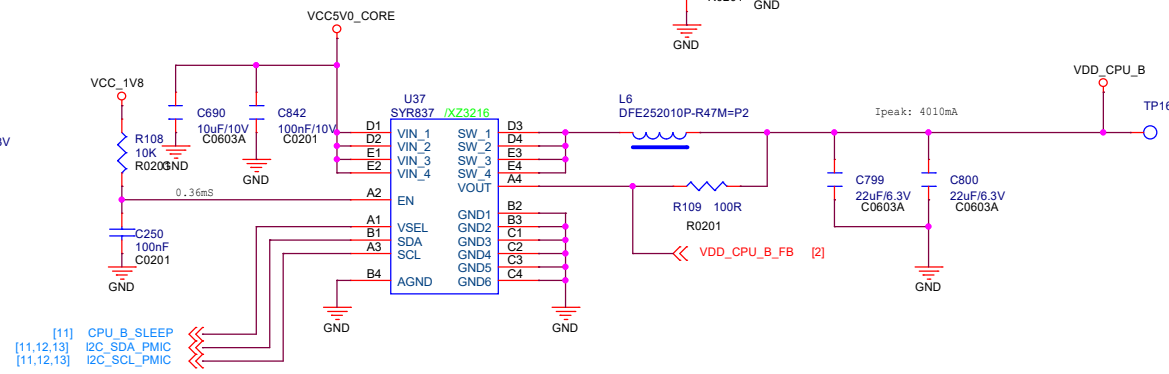
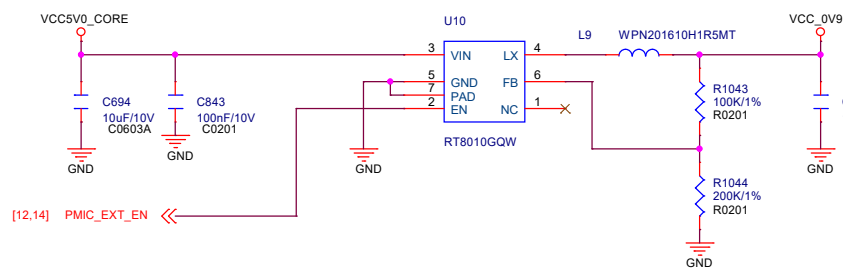
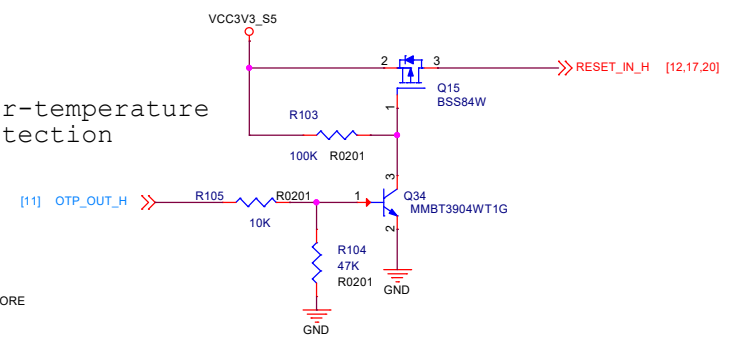


PMIC RK808



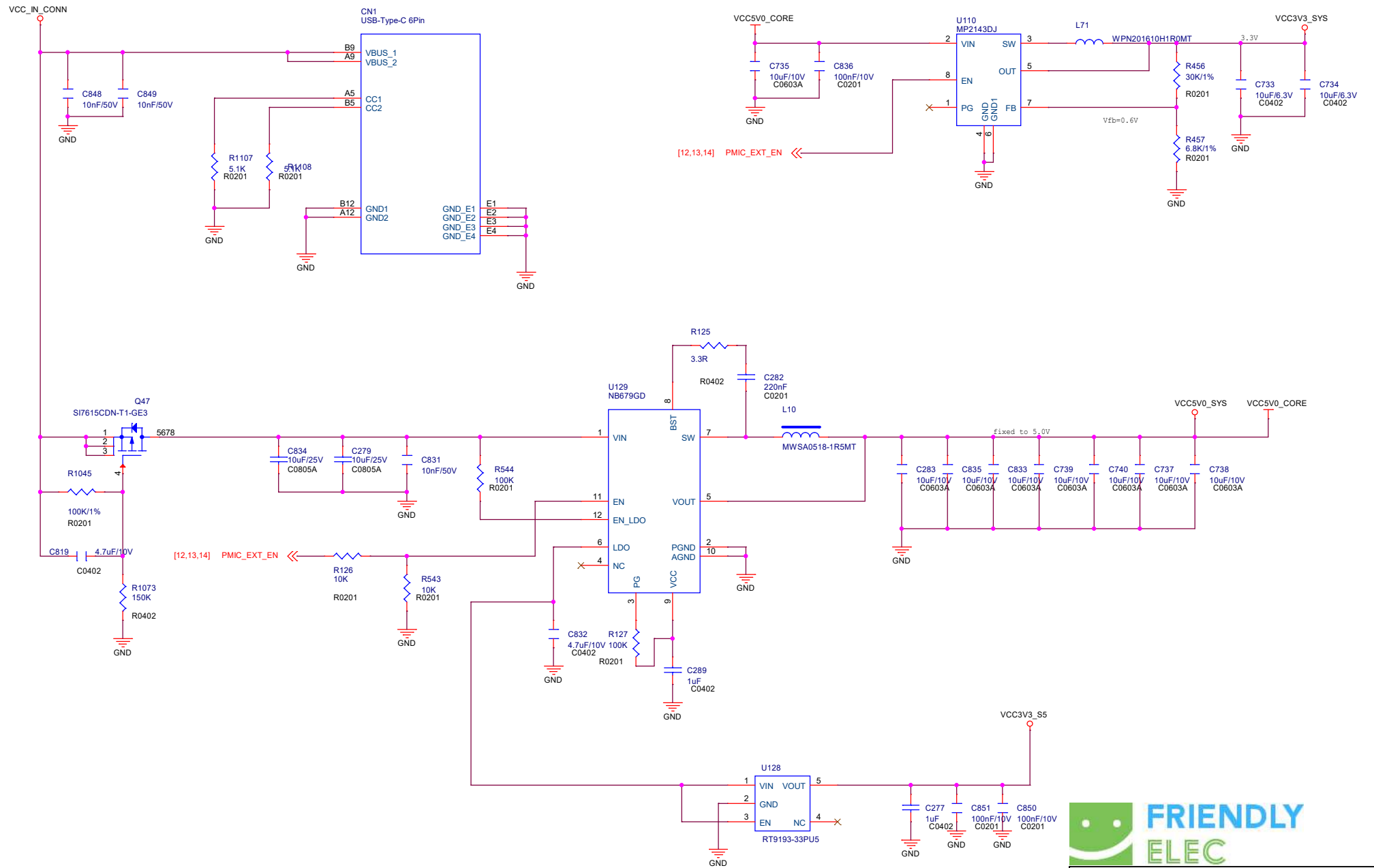


Over-temperature Protection

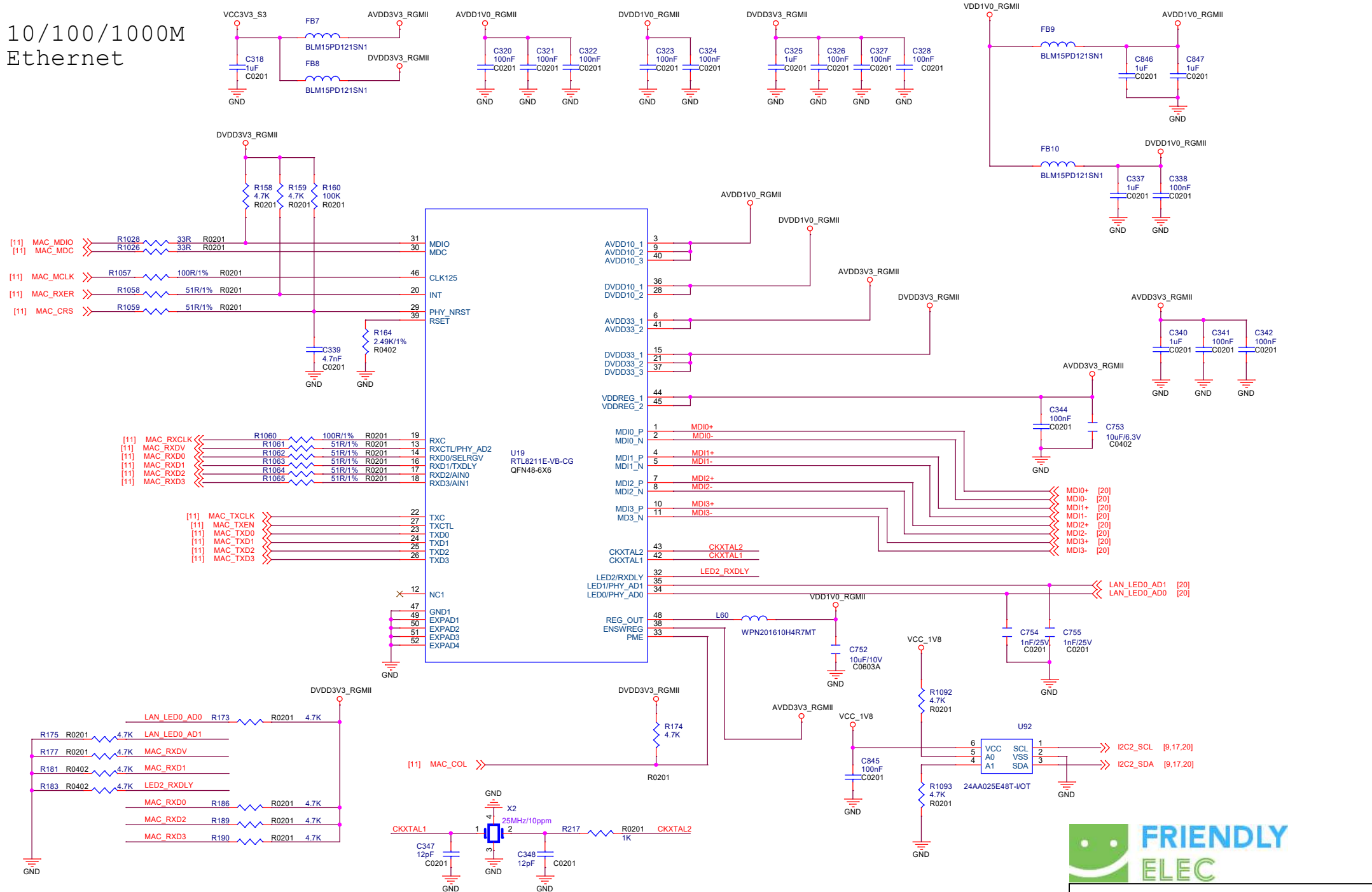


SOM-RK3399v2		
Size A3	Document Number 13.Power2-CPU/GPU/etc	Rev 1910
Date: Sunday, April 26, 2020	Sheet 13	of 21

Power Supply

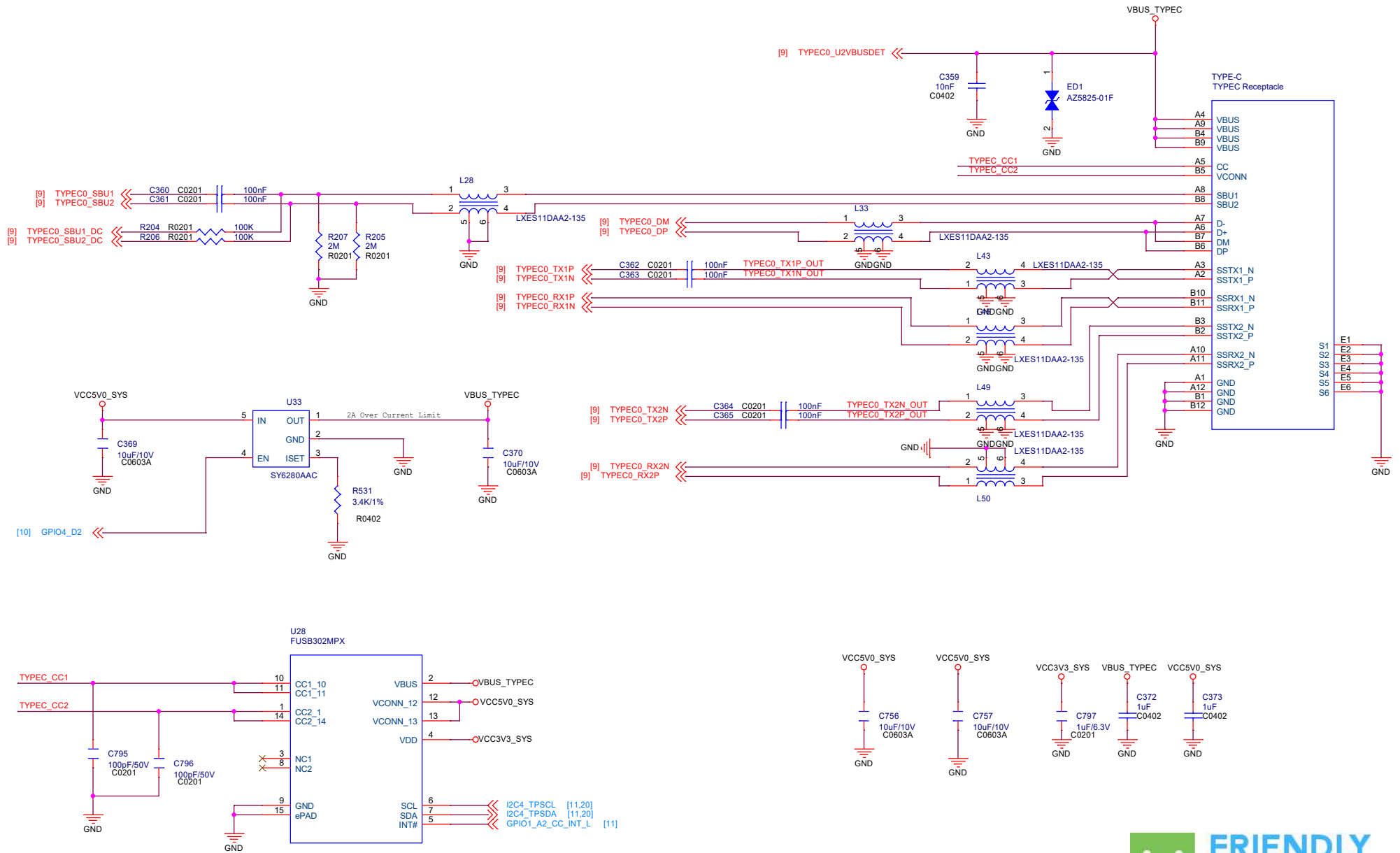


10/100/1000M Ethernet

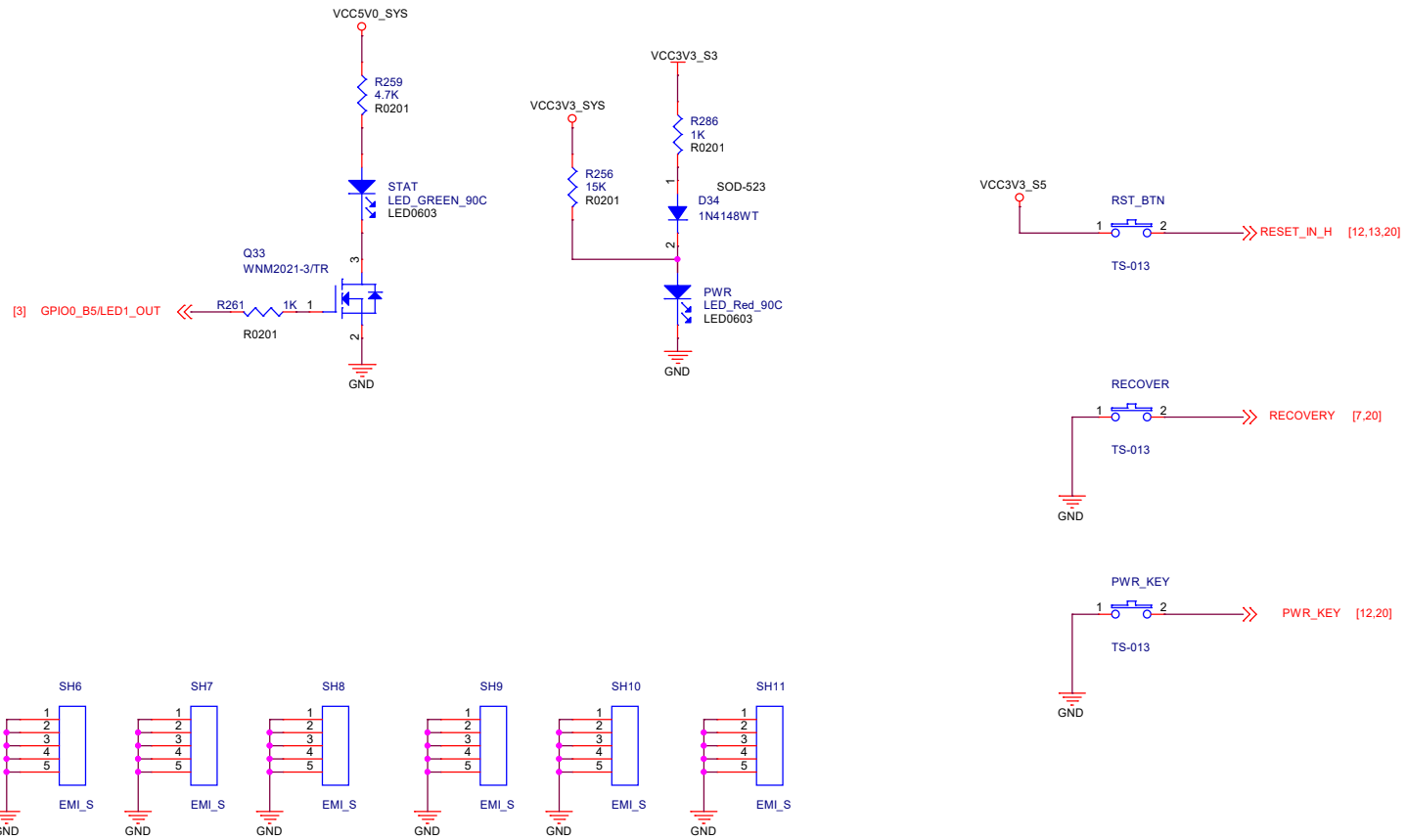


SOM-RK3399v2		
Size A3	Document Number 15.RGMII-10/100/1000M	Rev 1910
Date: Sunday, April 26, 2020	Sheet 15	of 21

USB Type-C



GPIO



Wi-Fi/Bluetooth

