

NanoPi NEO

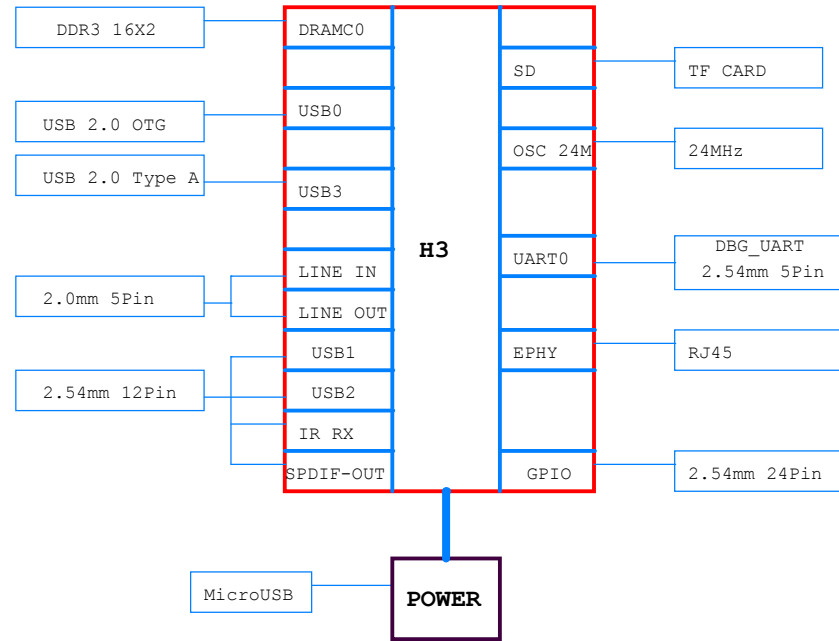
Revision

1606 , First Release
V1.1 1607, Replace MIC&LINEOUT with I2S/PCM on CON2
V1.2 1608, Use DC/DC (U7) for VDD1V2-SYS
V1.3 1702, Exchanged debug UART and Aduio position

FRIENDLYARM

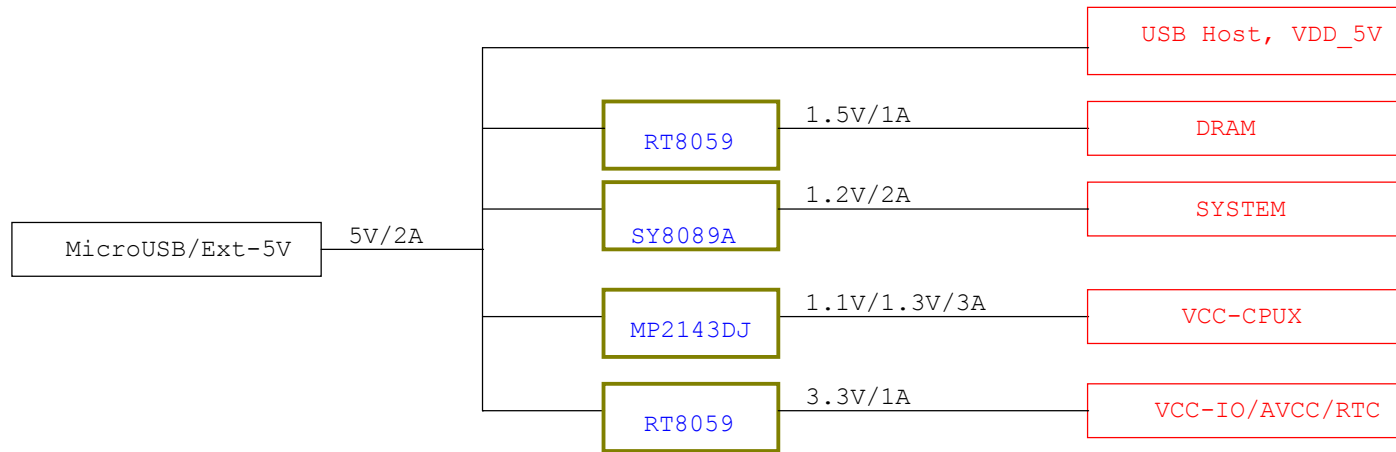
NanoPi NEO		
Size A3	Document Number 01:Title	Rev V1.3 1702
Date:	Tuesday, March 14, 2017	Sheet 1 of 11

BLOCK



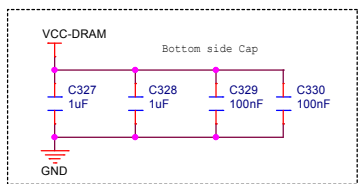
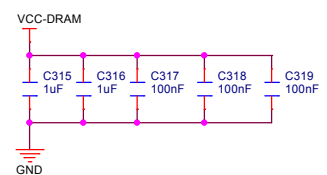
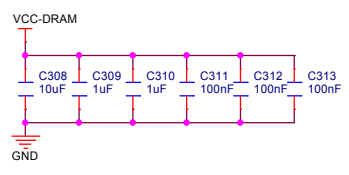
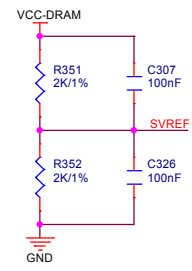
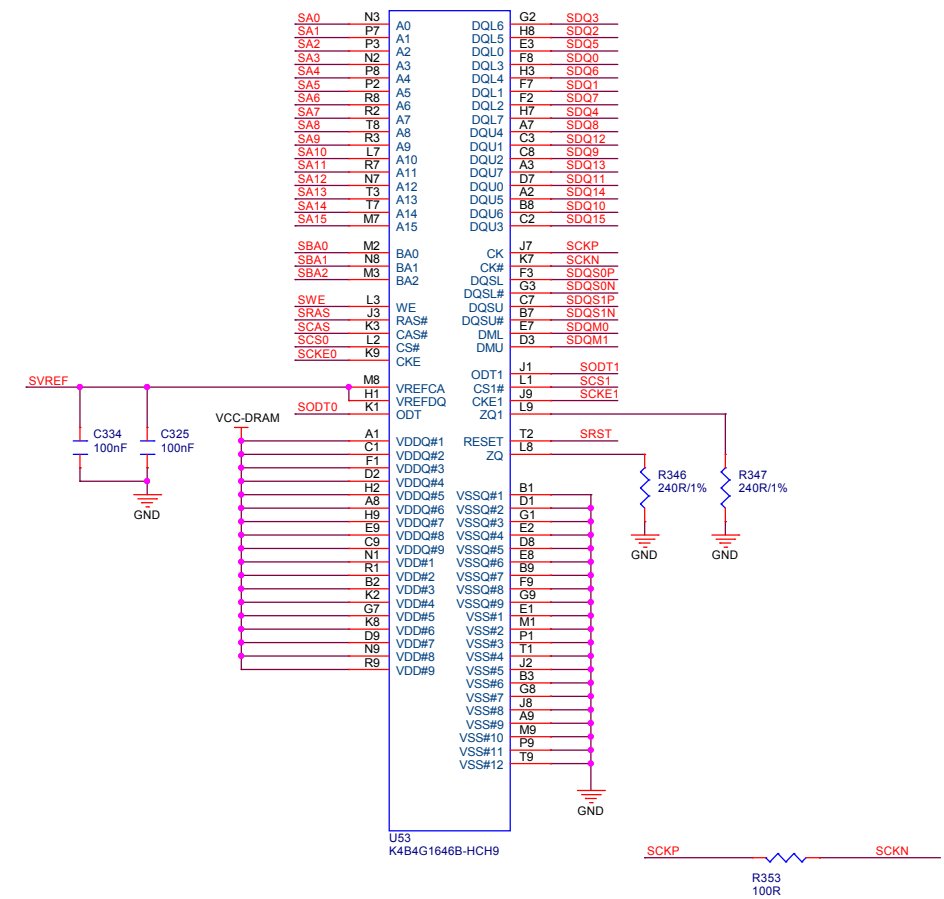
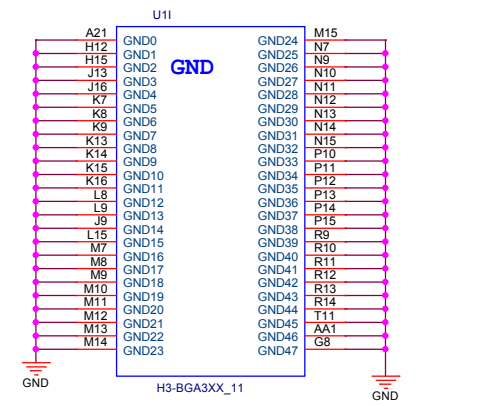
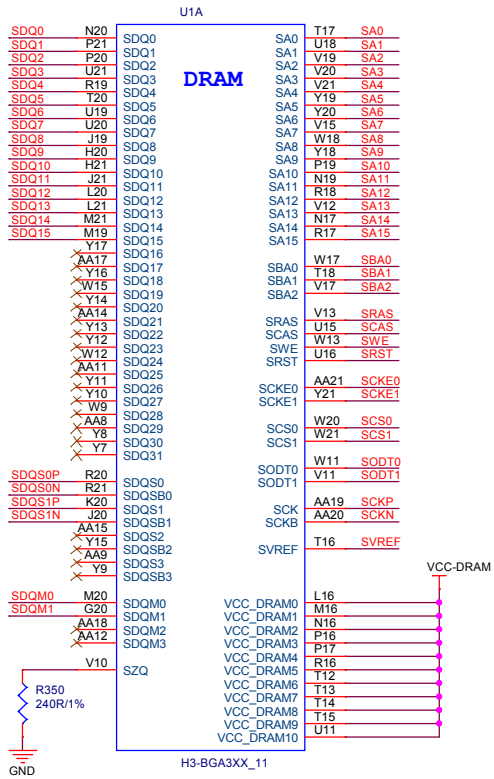
FRIENDLYARM

POWER TREE

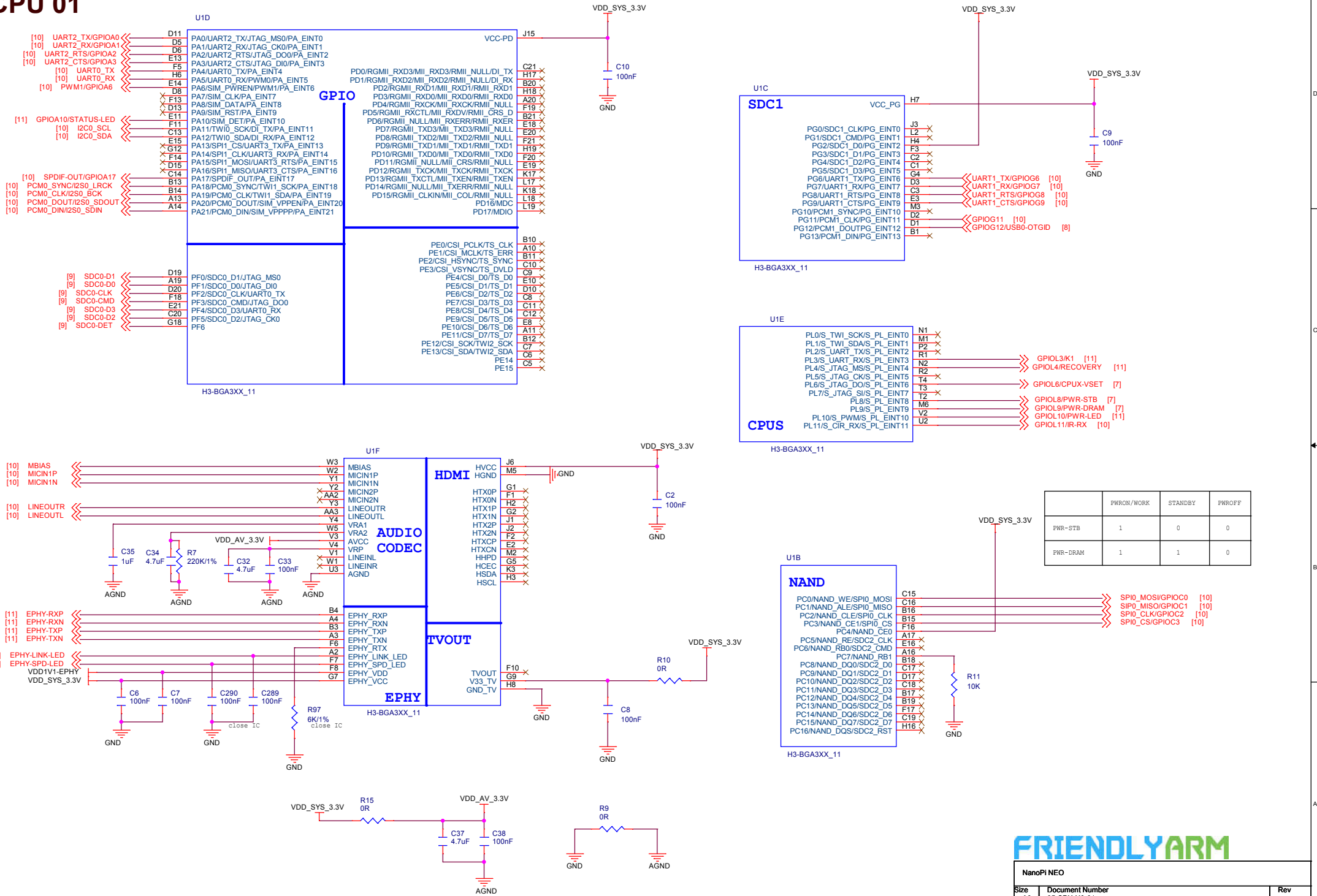


FRIENDLYARM

DDR3 16x1



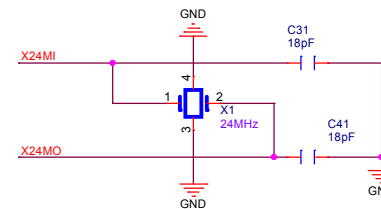
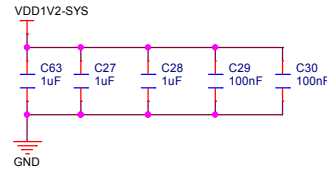
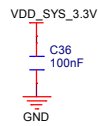
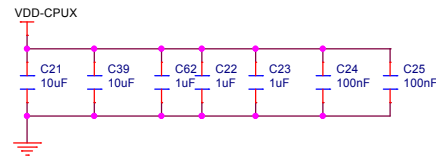
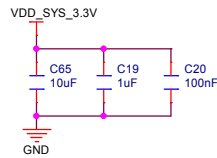
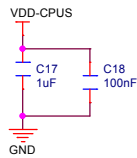
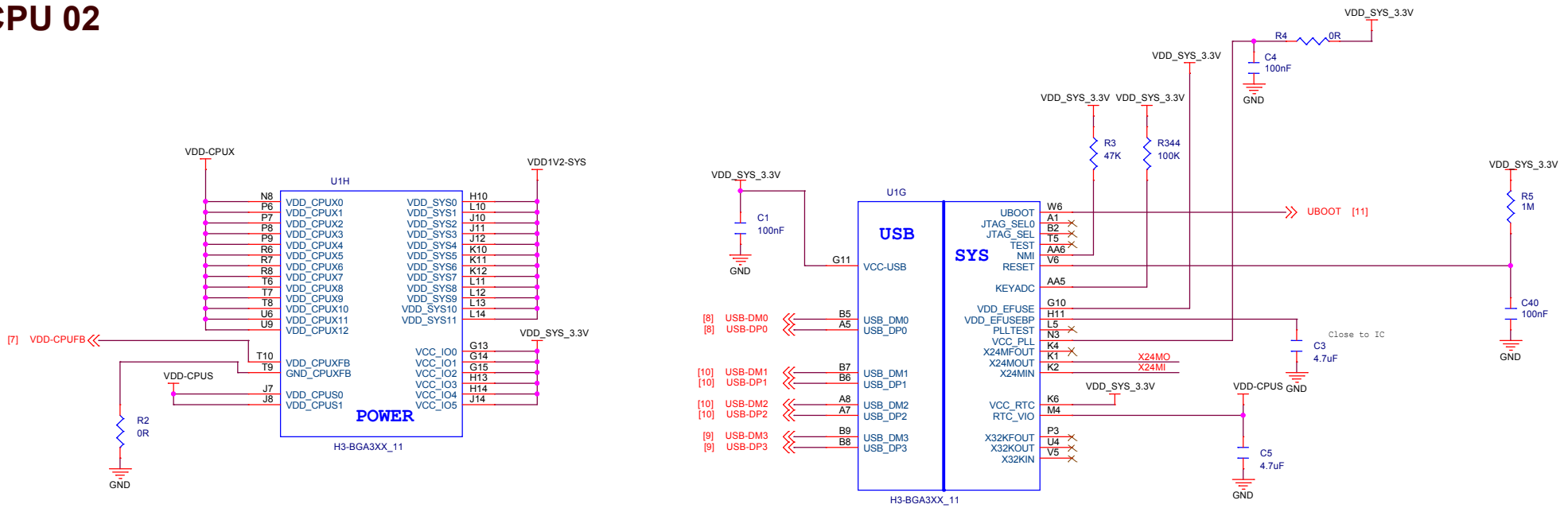
CPU 01



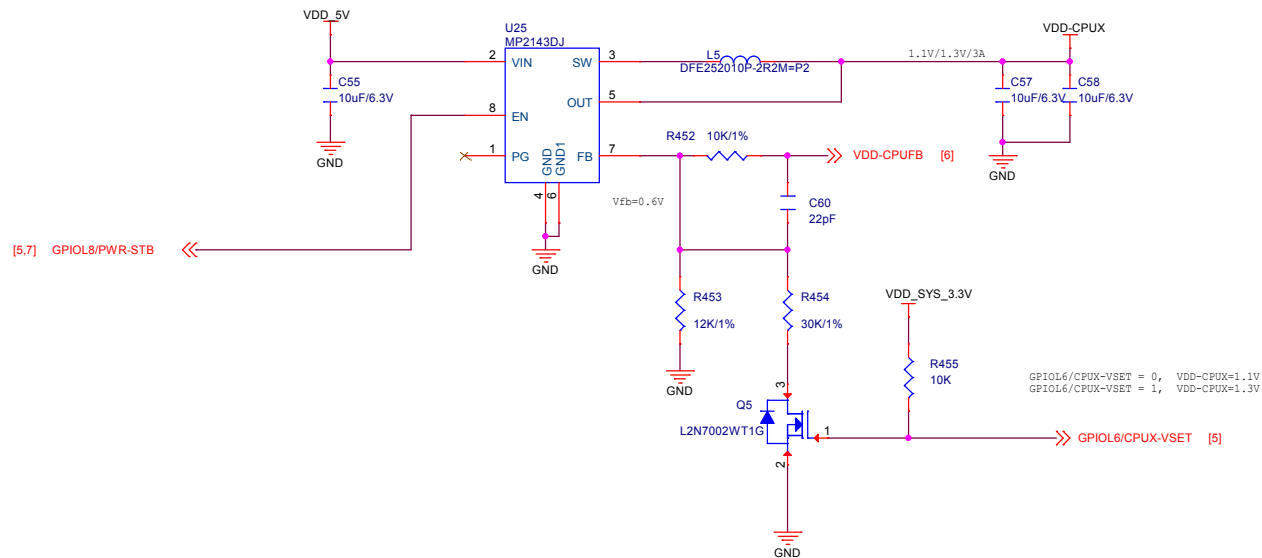
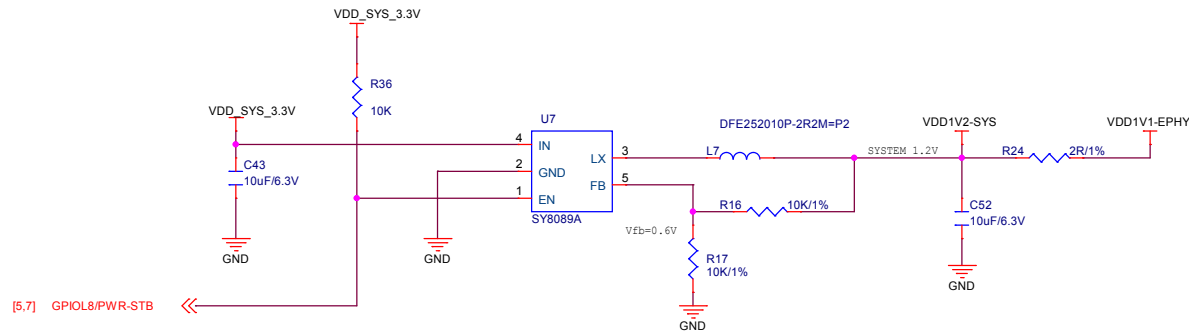
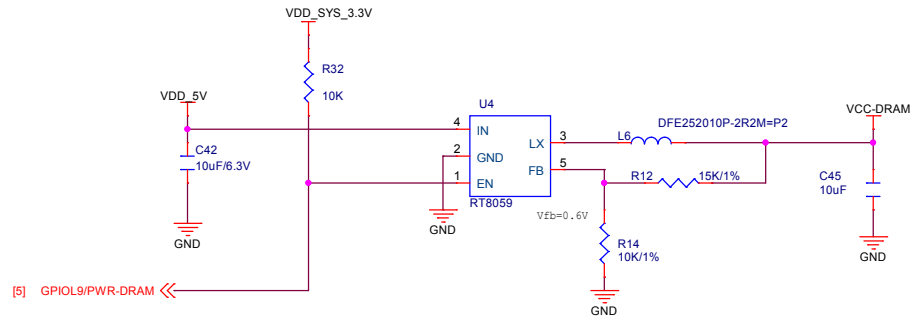
	PWRON/WORK	STANDBY	PWROFF
PWR-STB	1	0	0
PWR-DRAM	1	1	0



CPU 02



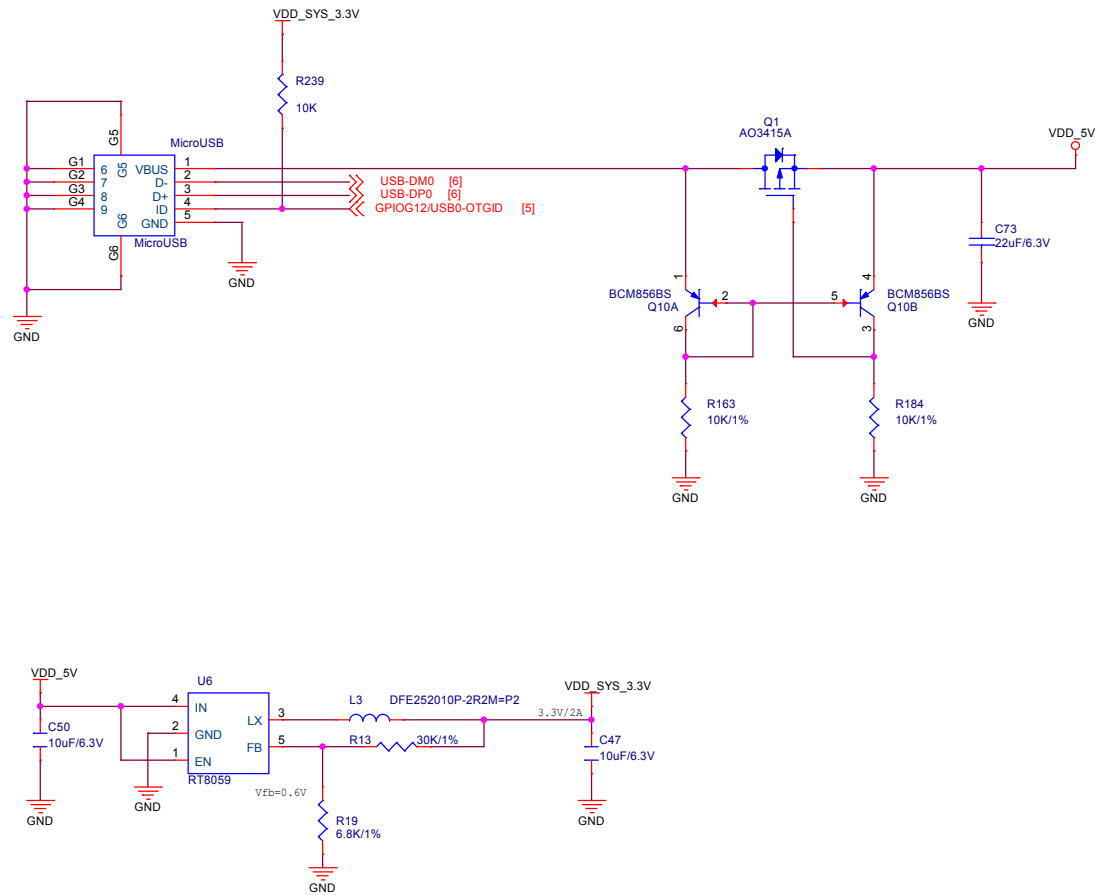
POWER 01



FRIENDLYARM

NanoPi NEO		
Size A3	Document Number 07-Power-01	Rev V1.3 1702
Date: Tuesday, March 14, 2017	Sheet 7 of 11	

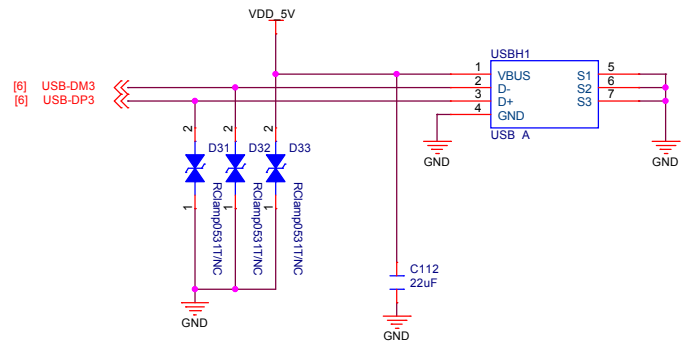
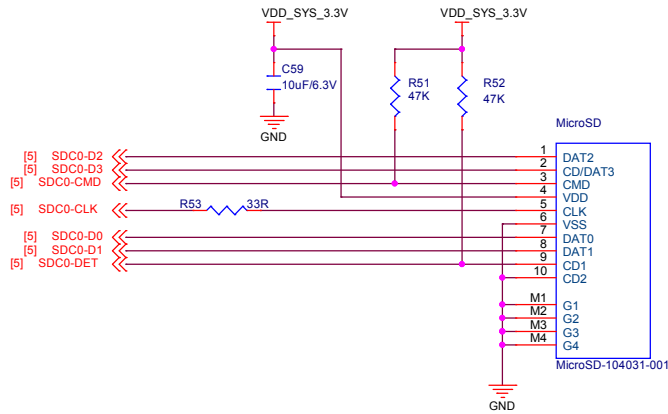
POWER 02



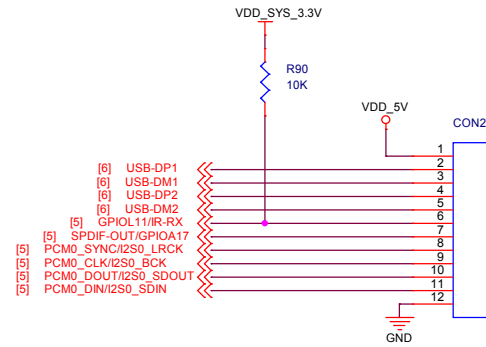
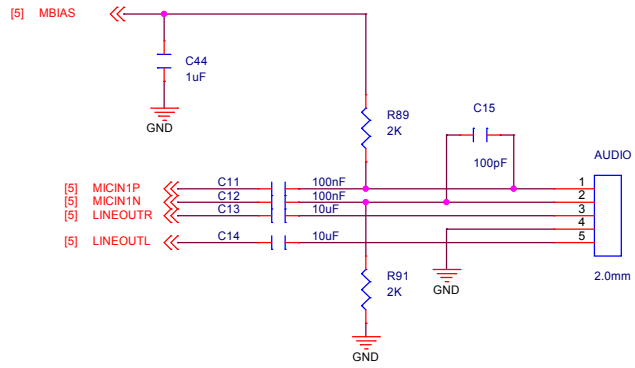
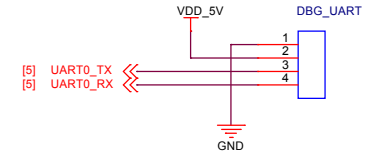
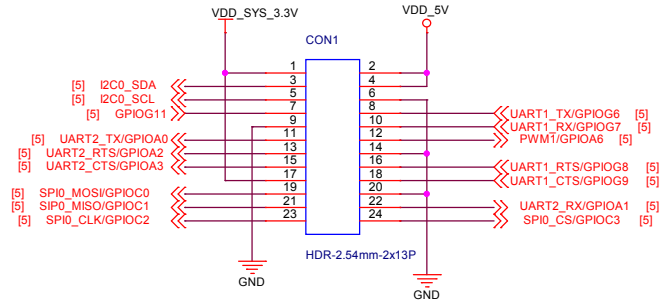
FRIENDLYARM

NanoPI NEO		
Size A3	Document Number 08:Power-02	Rev V1.3 1702
Date: Tuesday, March 14, 2017	Sheet 8	of 11

TF,USB Host



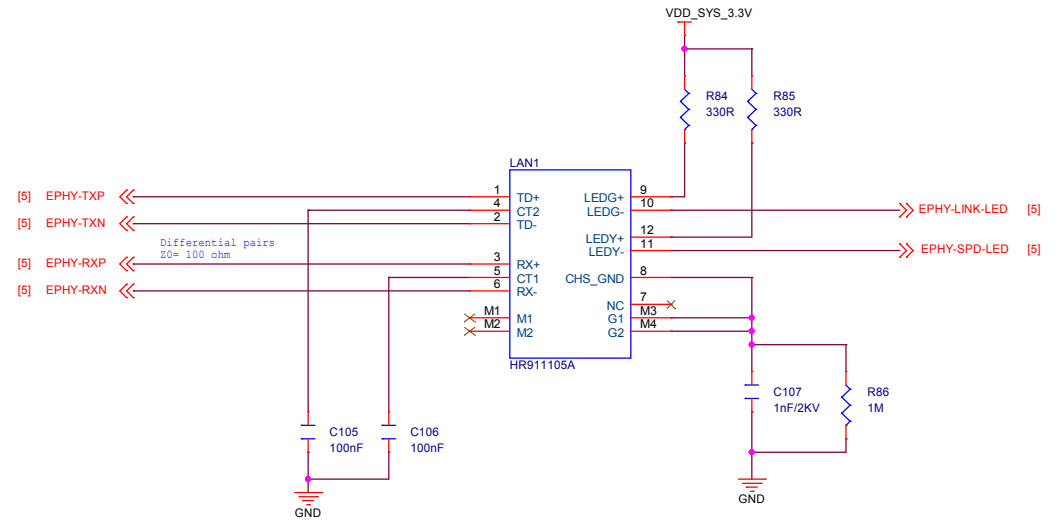
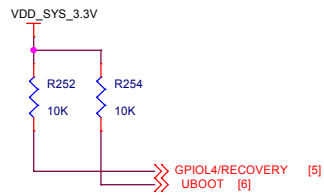
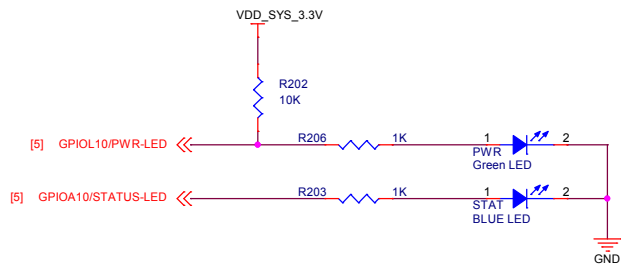
GPIO



FRIENDLYARM

NanoPi NEO		
Size	Document Number	Rev
A3	11:GPIO, CAM, IR	V1.3 1702
Date:	Tuesday, March 14, 2017	Sheet 10 of 11

LEDs, LAN, Keys



FRIENDLYARM

NanoPi NEO		
Size	Document Number	Rev
A3	12:LEDs, LAN, Keys	V1.3 1702
Date:	Tuesday, March 14, 2017	Sheet 11 of 11