

NanoPi_R1S

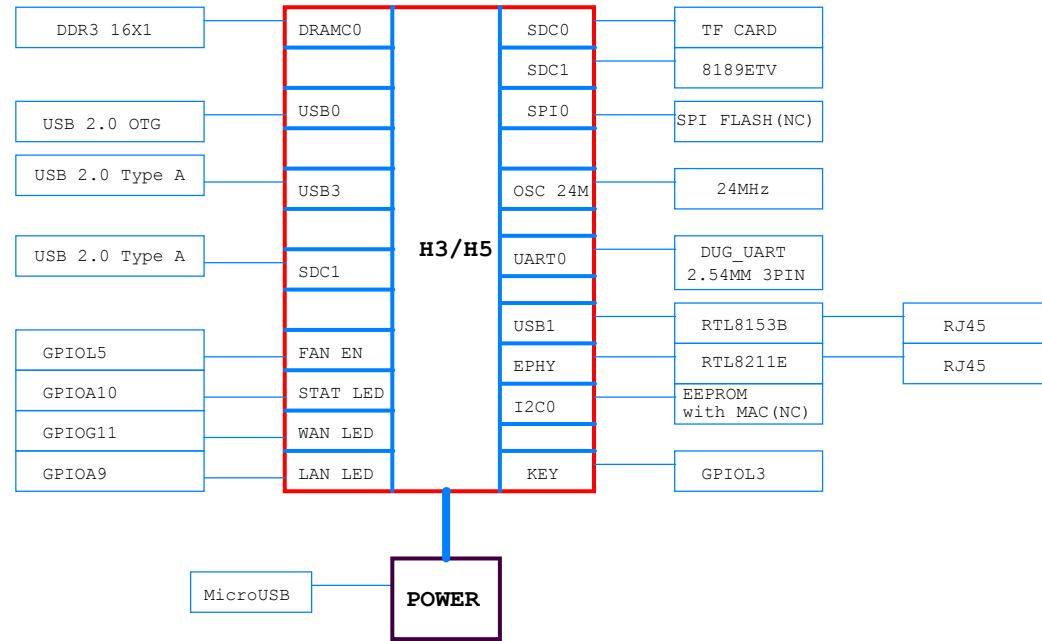
Revision

1908 , V1.0 :first release

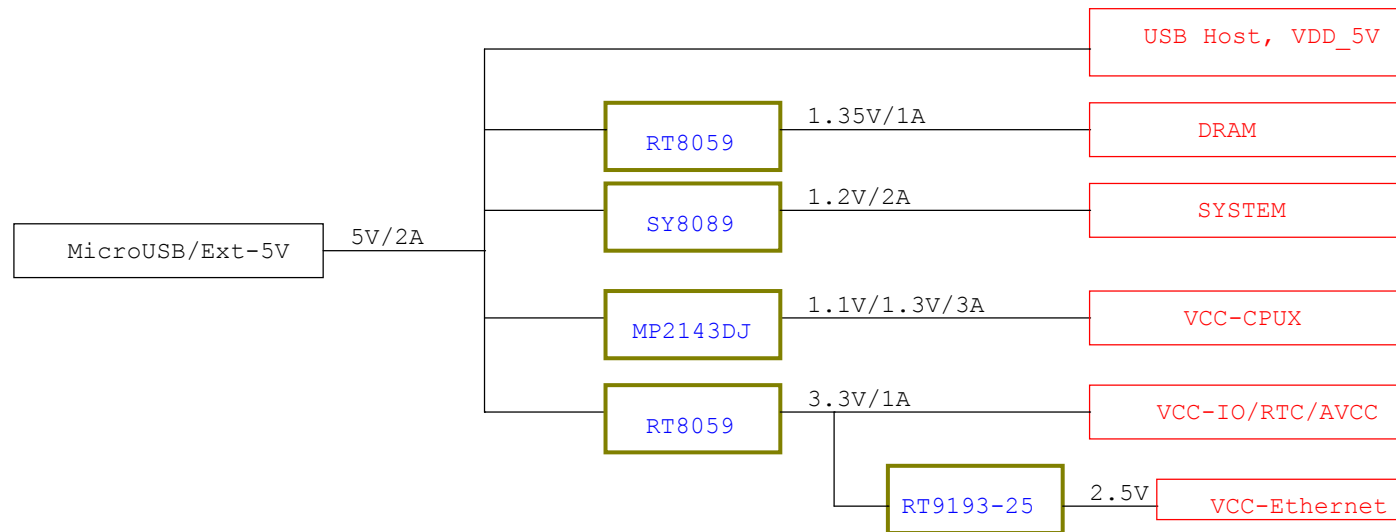


NanoPi_R1S		
Size A3	Document Number 01:Title	Rev V1.0 1908
Date: Monday, October 28, 2019	Sheet 1	of 11

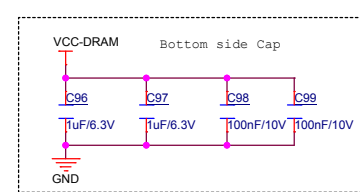
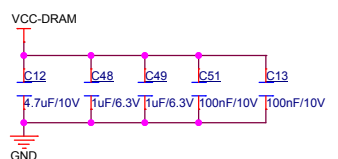
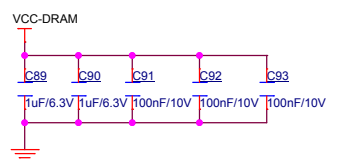
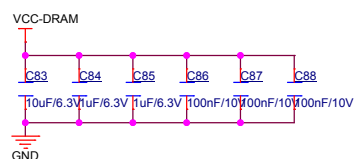
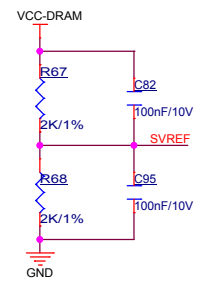
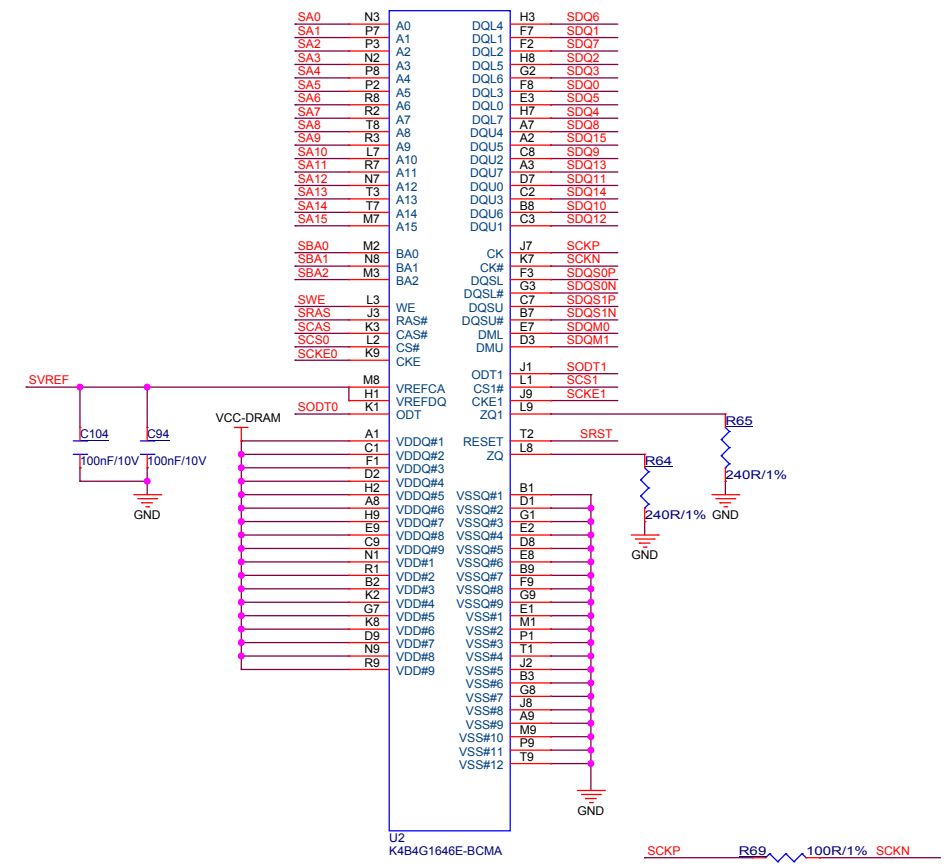
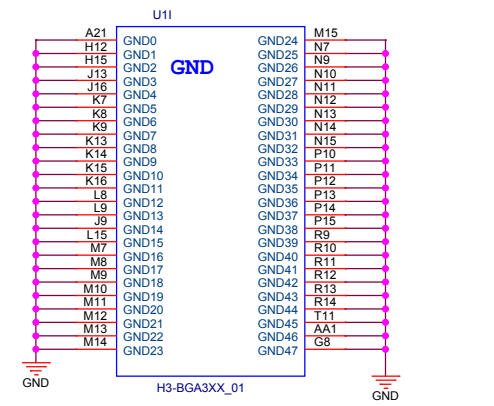
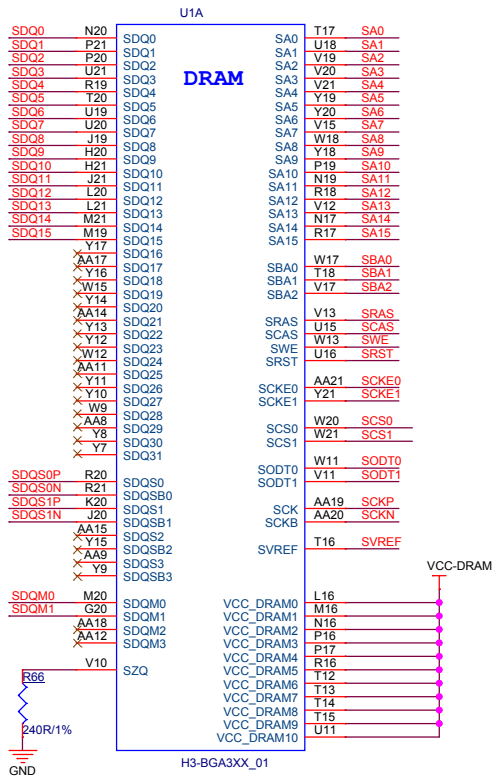
BLOCK



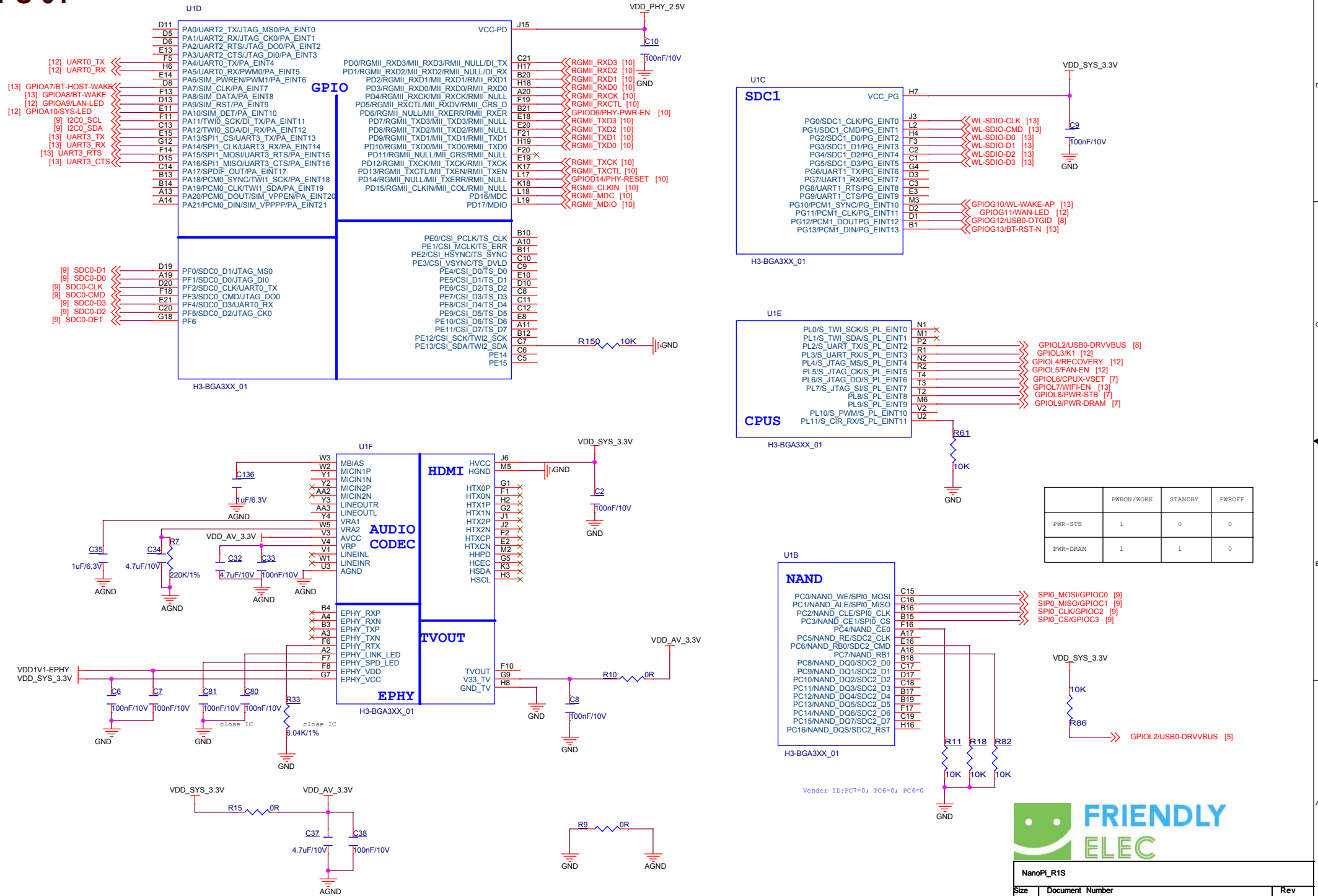
POWER TREE



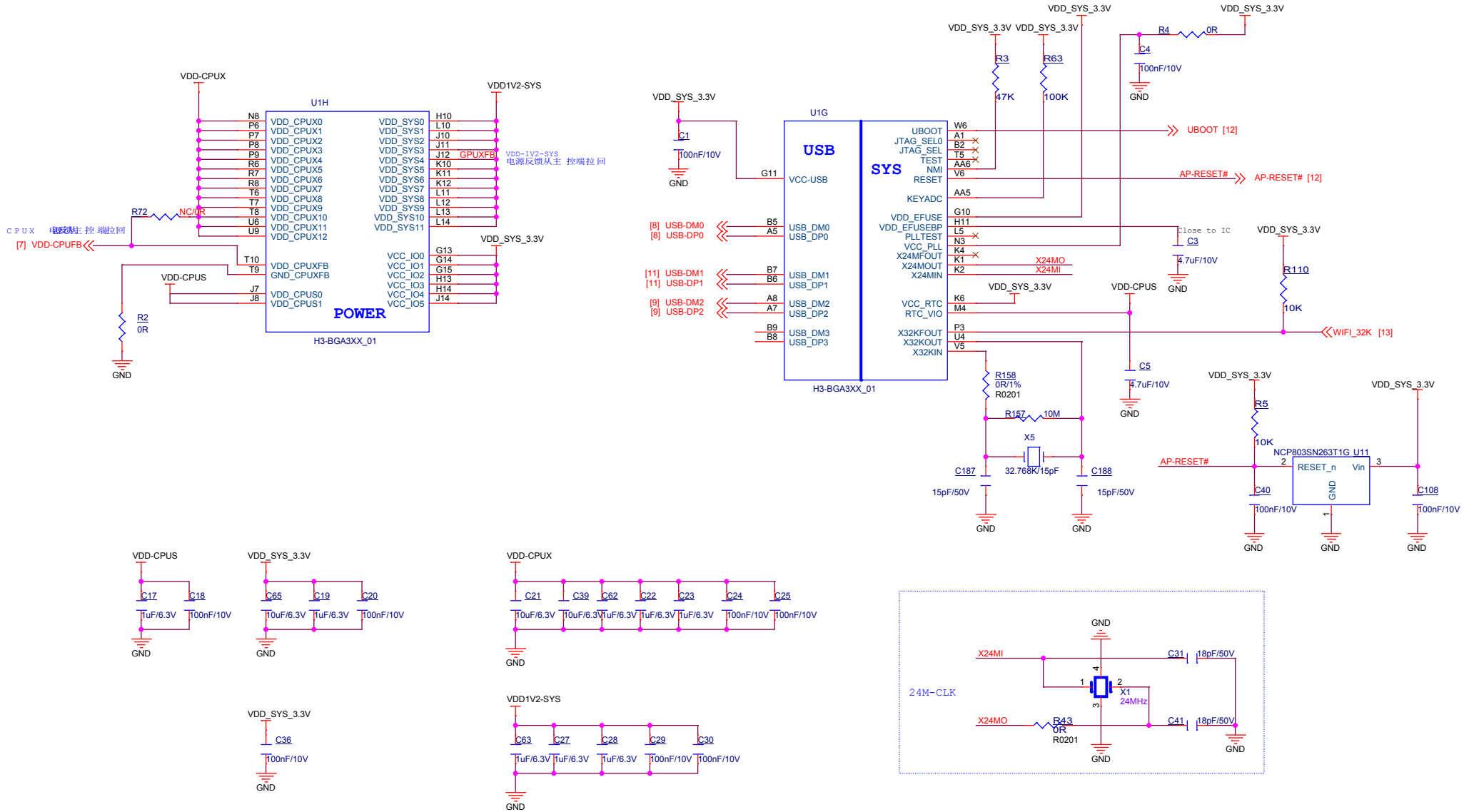
DDR3 16x1



CPU 01



CPU 02



POWER 01

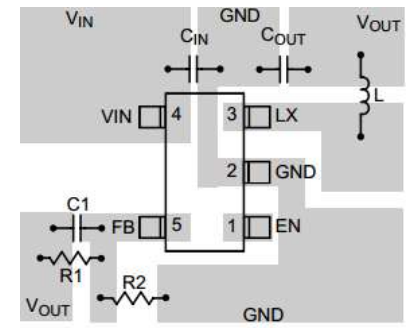
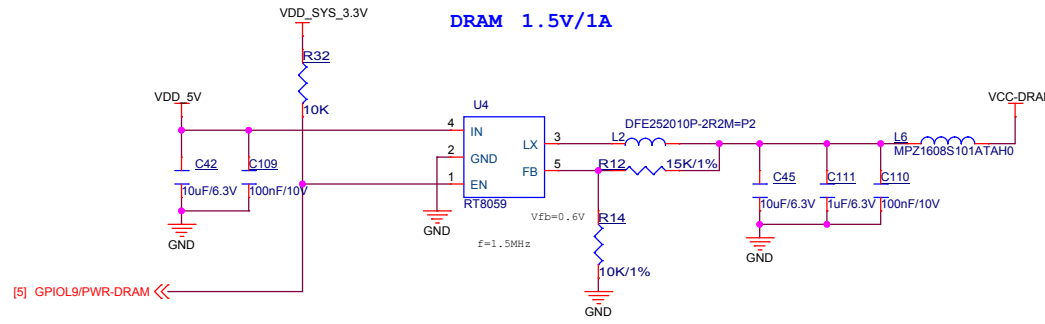
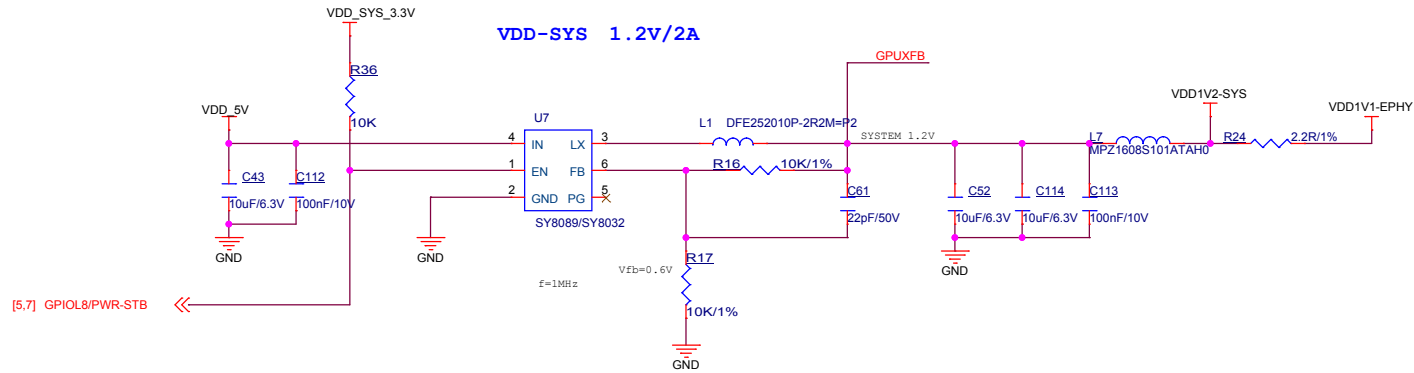


Figure 3. PCB Layout Guide



VCC-CPUX 1.1V/3A

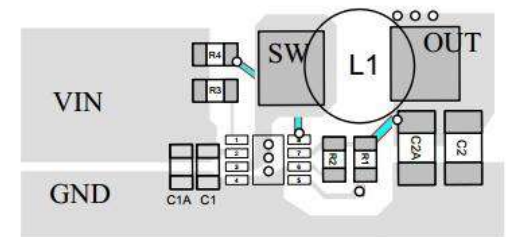
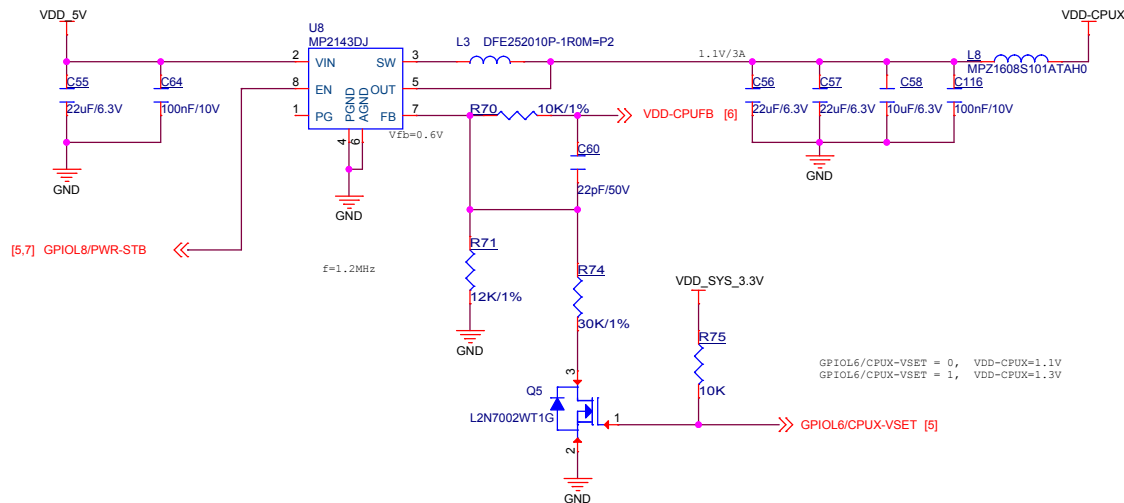
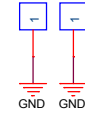
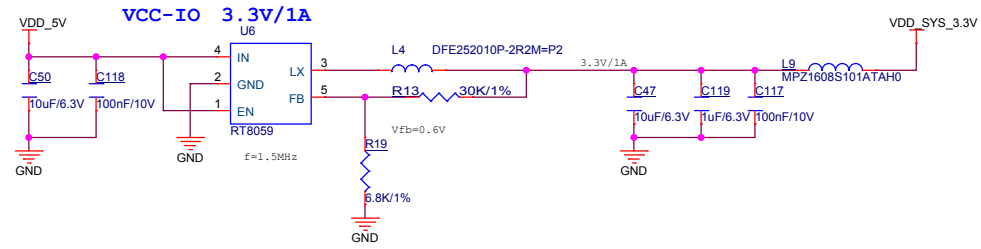
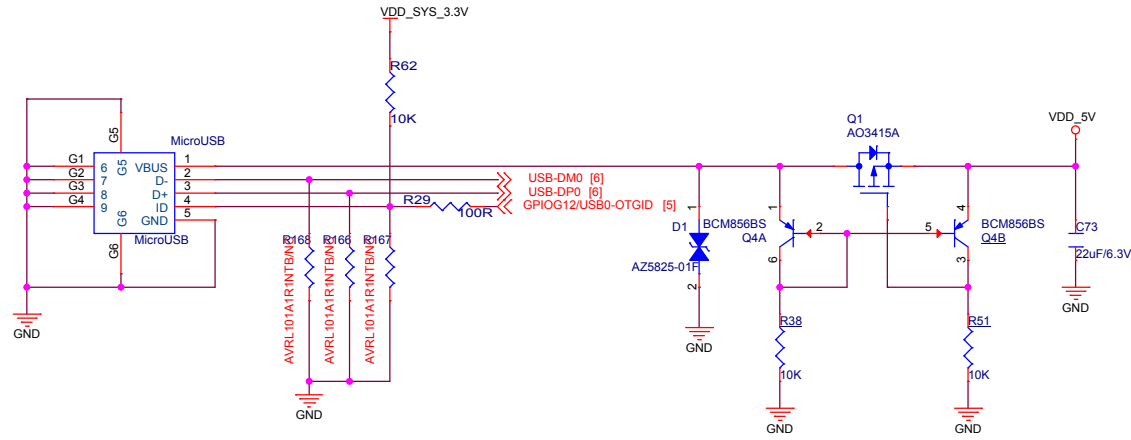


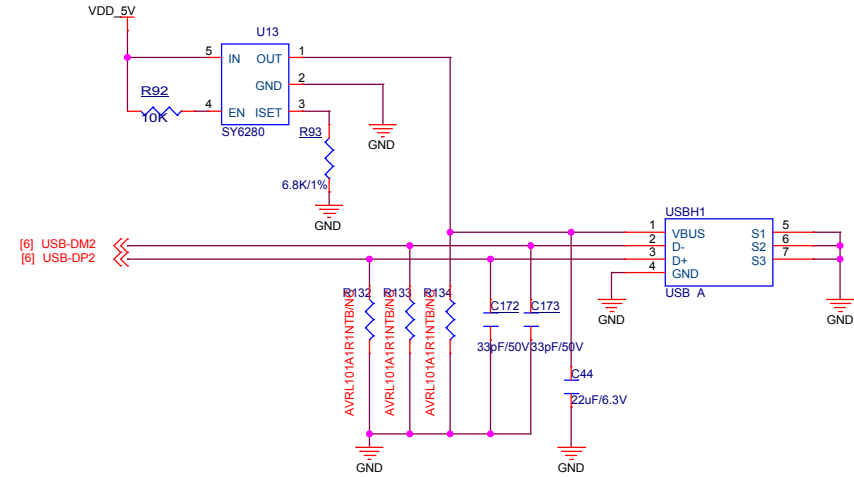
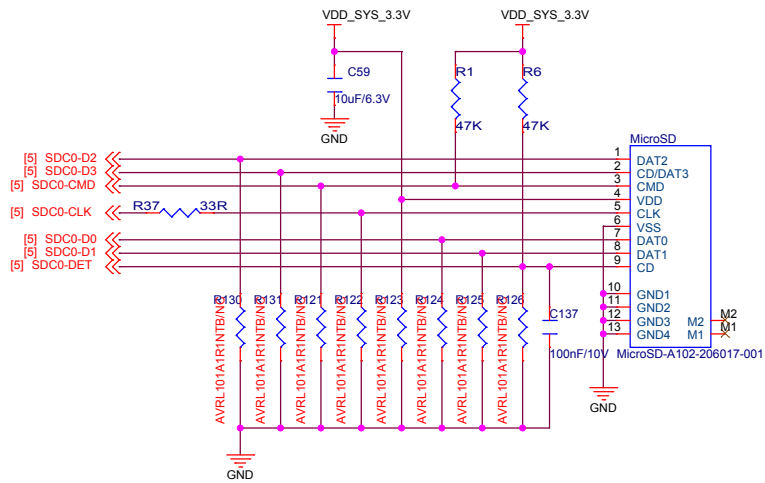
Figure 3: Layout Recommendation



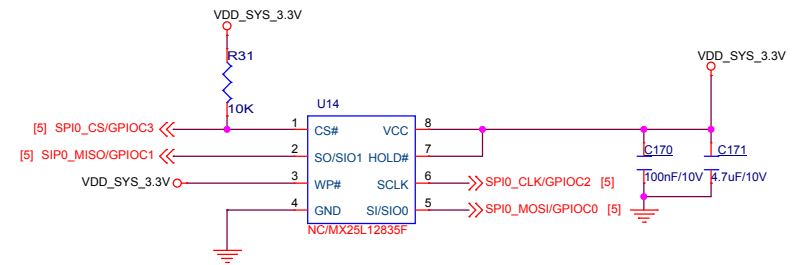
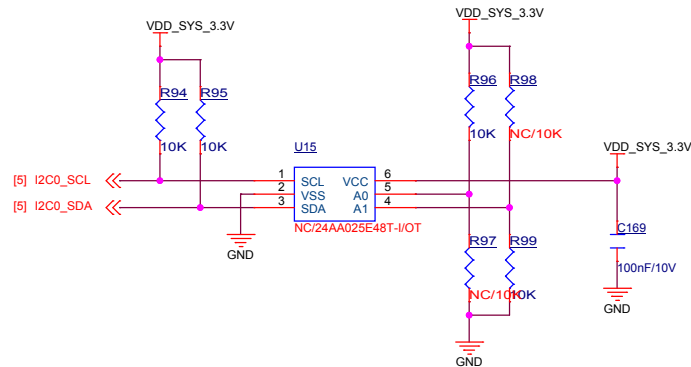
POWER 02



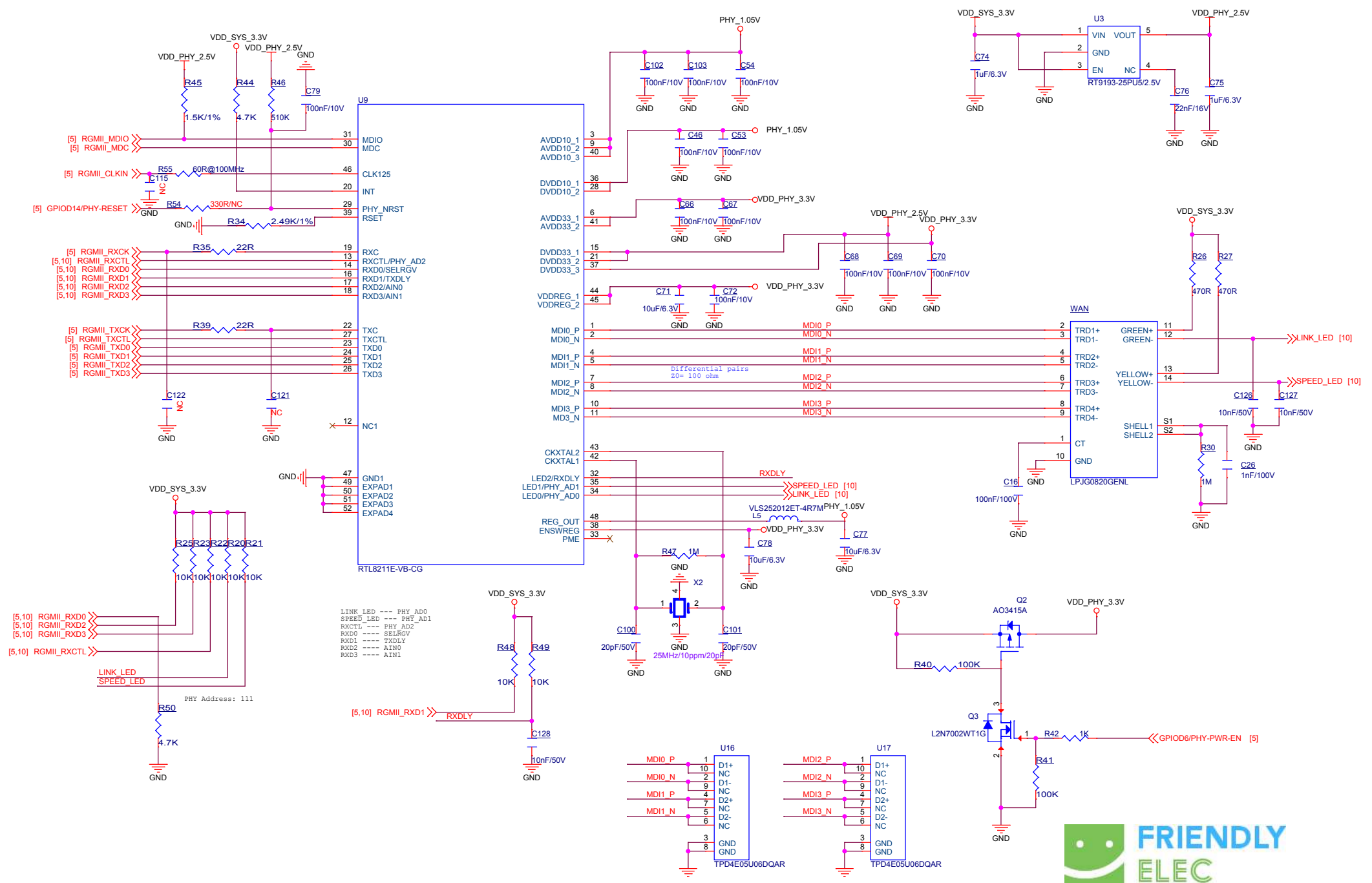
TF Card,EEPROM,Flash,USB Host



EEPROM with MAC Address



10/100/1000M Ethernet



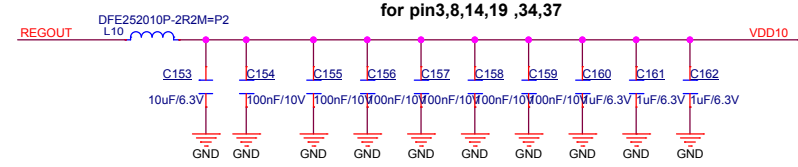
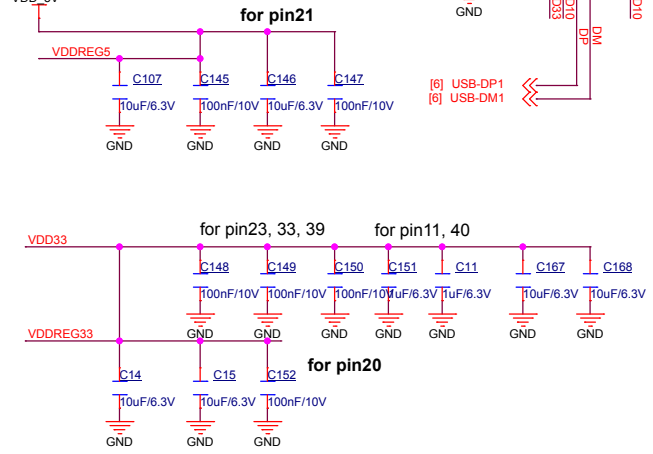
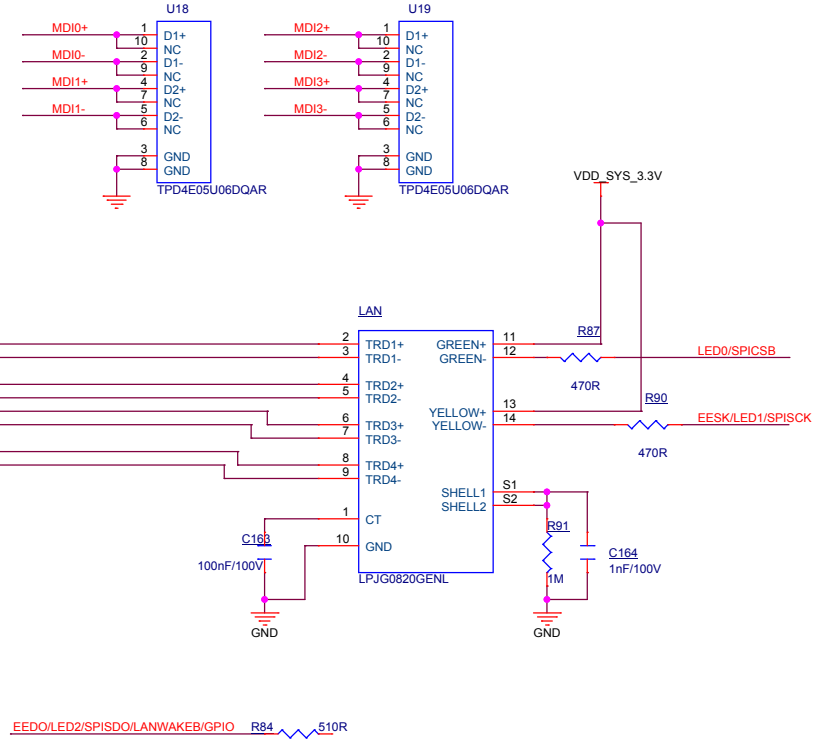
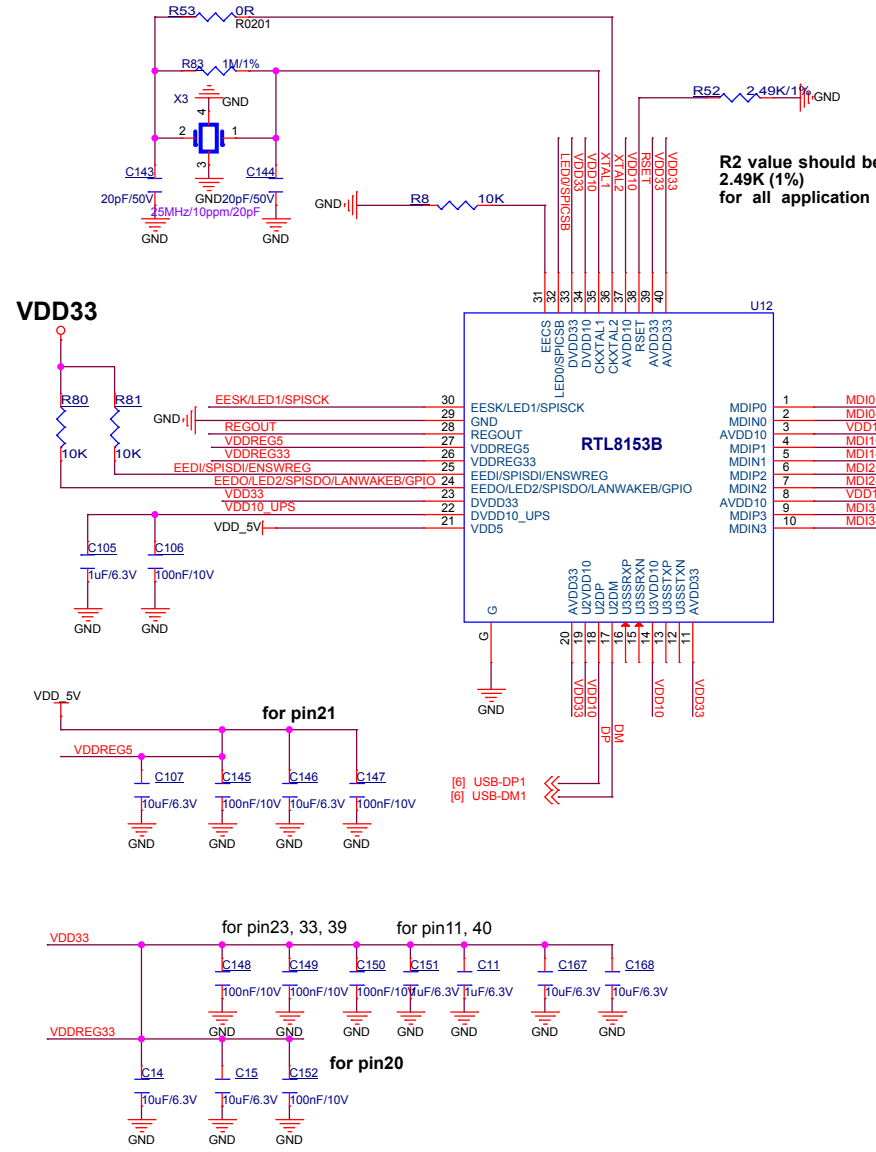
LINK LED --- PHY_AD0
 SPEED LED --- PHY_AD1
 RXCTL --- PHY_AD2
 RXD0 --- SELRGV
 RXD1 --- TXDLY
 RXD2 --- AIN0
 RXD3 --- AIN1

PHY Address: 111

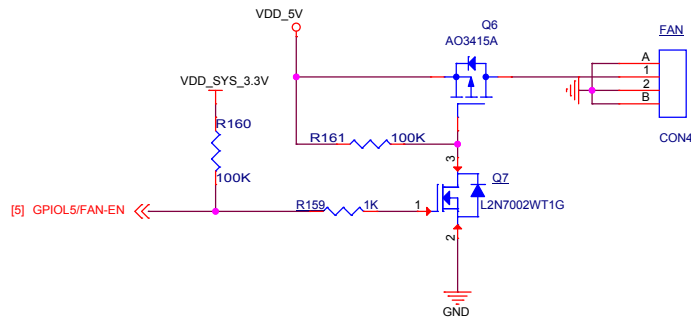
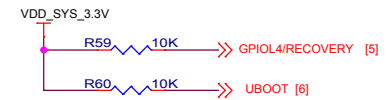
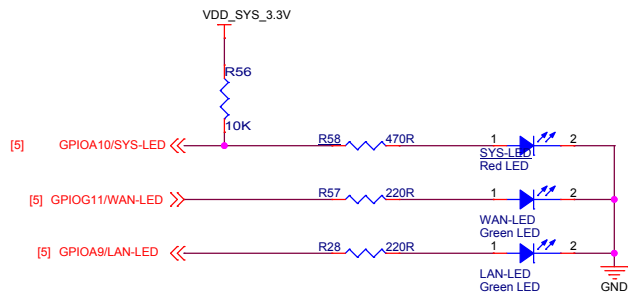
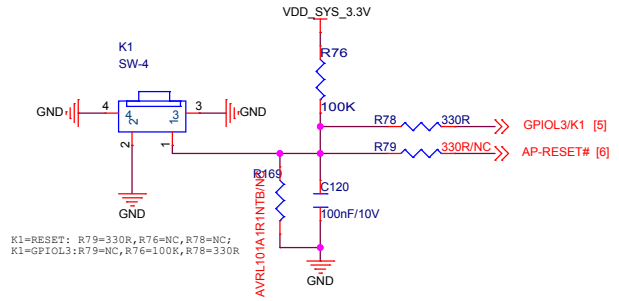
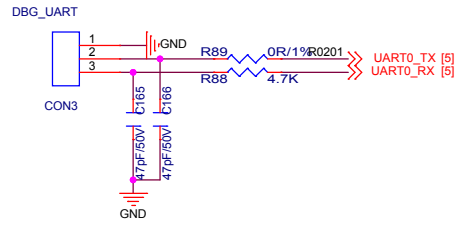


NanoPi_R1S		
Size A3	Document Number 10:10/100/1000M Ethernet	Rev V1.0 1906
Date: Tuesday, January 07, 2020	Sheet 10	of 11

USB to 10/100/1000M Ethernet



DBG_UART,LEDs,KEY



Wi-Fi

