

# NanoPi NEO Plus2

## Revision

1704 , V1.0

1805 , V1.1 Changed Aduio connect to 4pin 2.54mm pitch pin-header

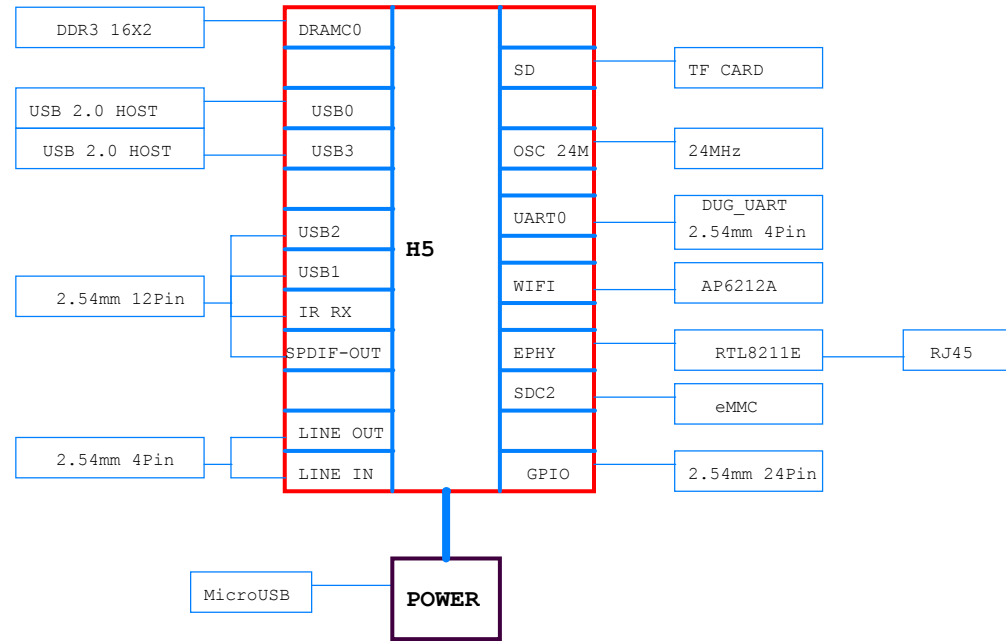
1903 , V1.2 Added capacitores at 2.54mm pitch pin-header to improve EMC

1907 ,V2 Changed MicroSD Care Solt type and added 1 pcs DDR3 chip

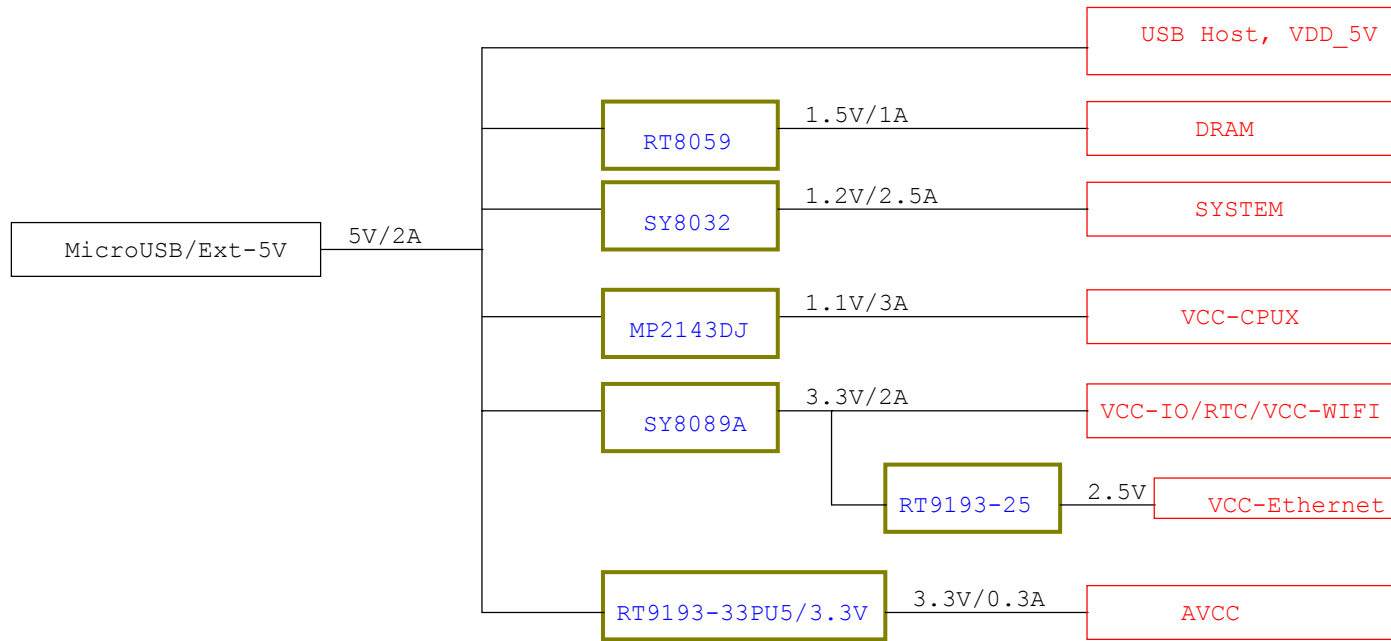


NanoPi NEO Plus2		
Size A3	Document Number Title	Rev V2 1907
Date:	Thursday, December 12, 2019	Sheet 1 of 15

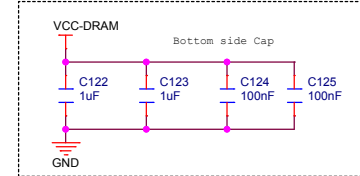
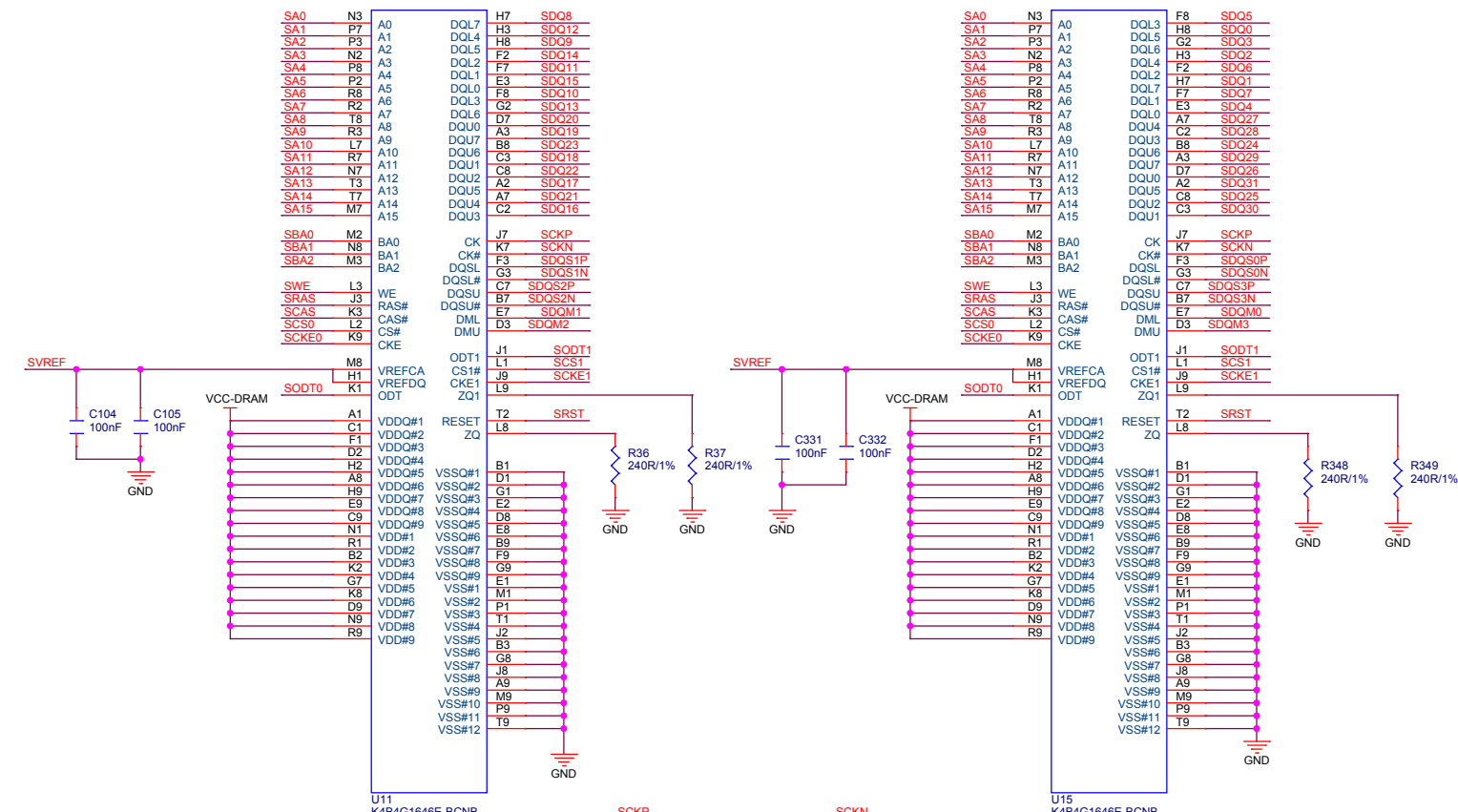
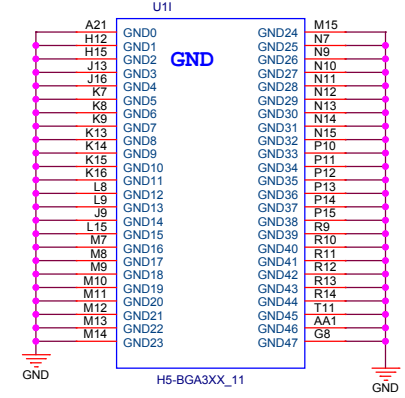
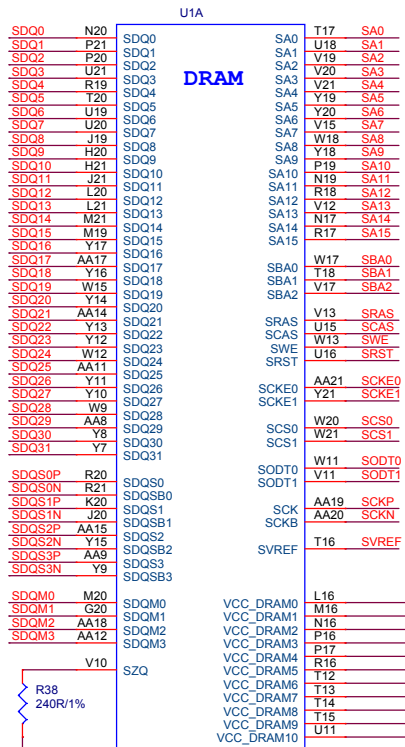
# BLOCK



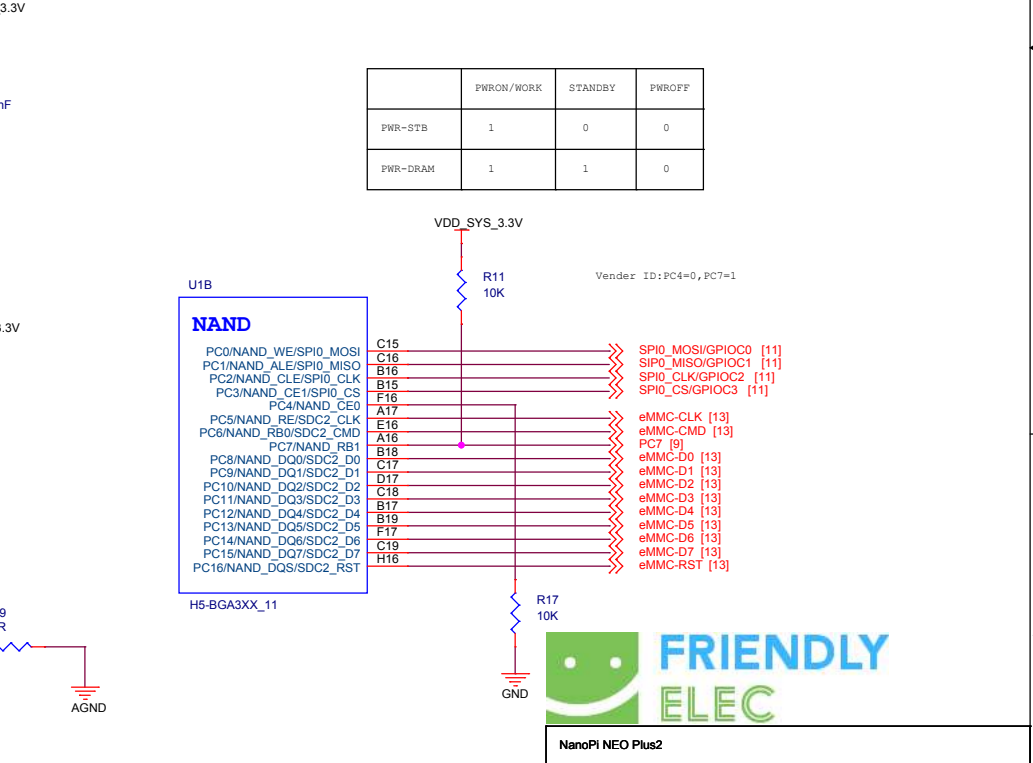
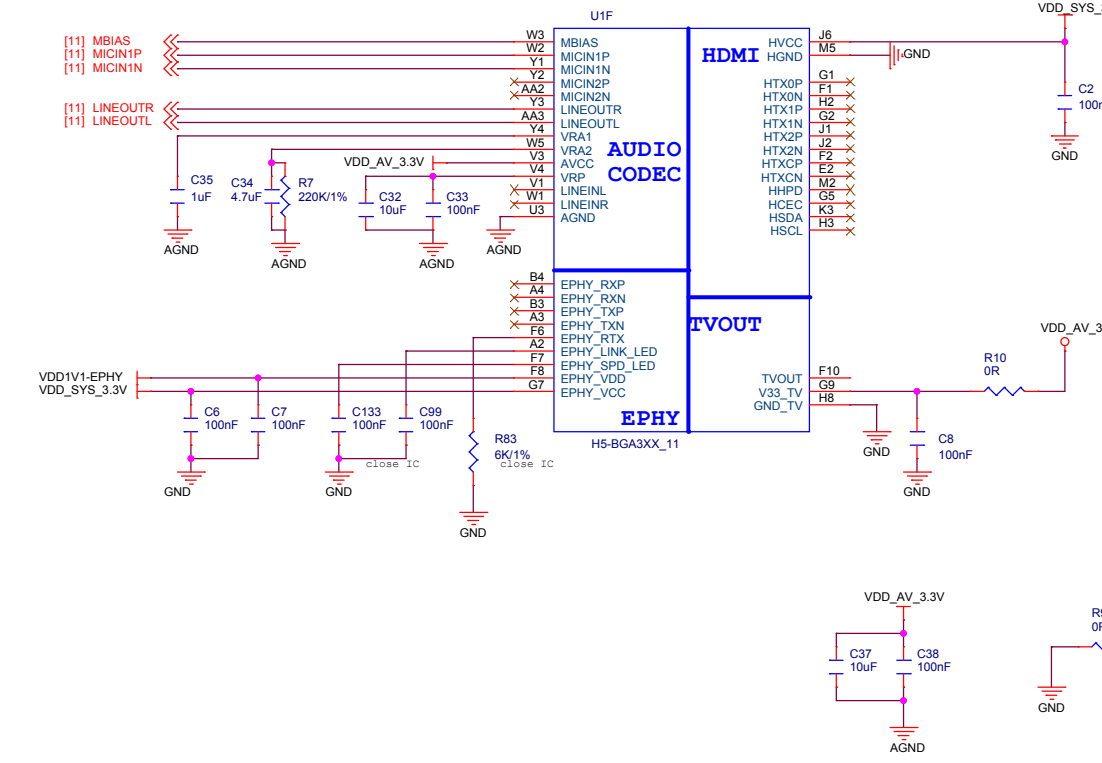
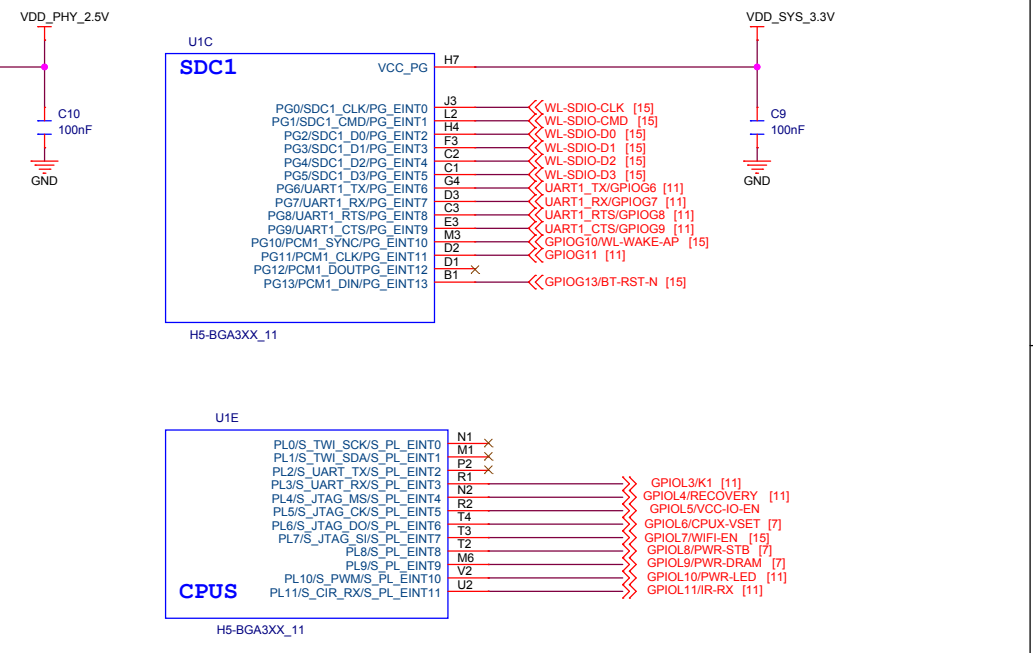
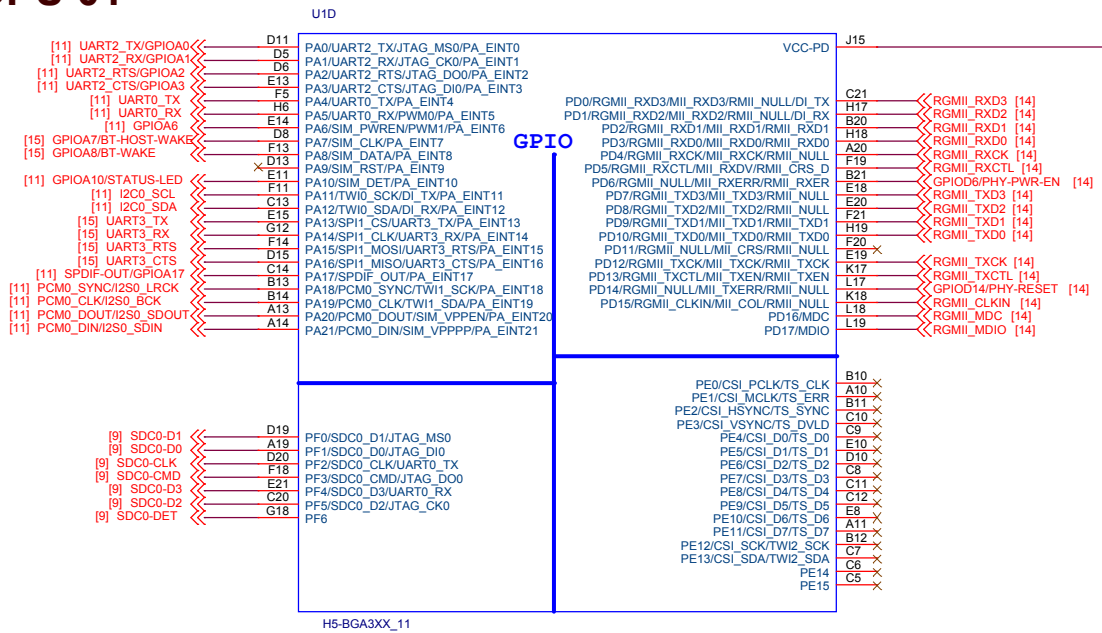
# POWER TREE



# DDR3 16x2



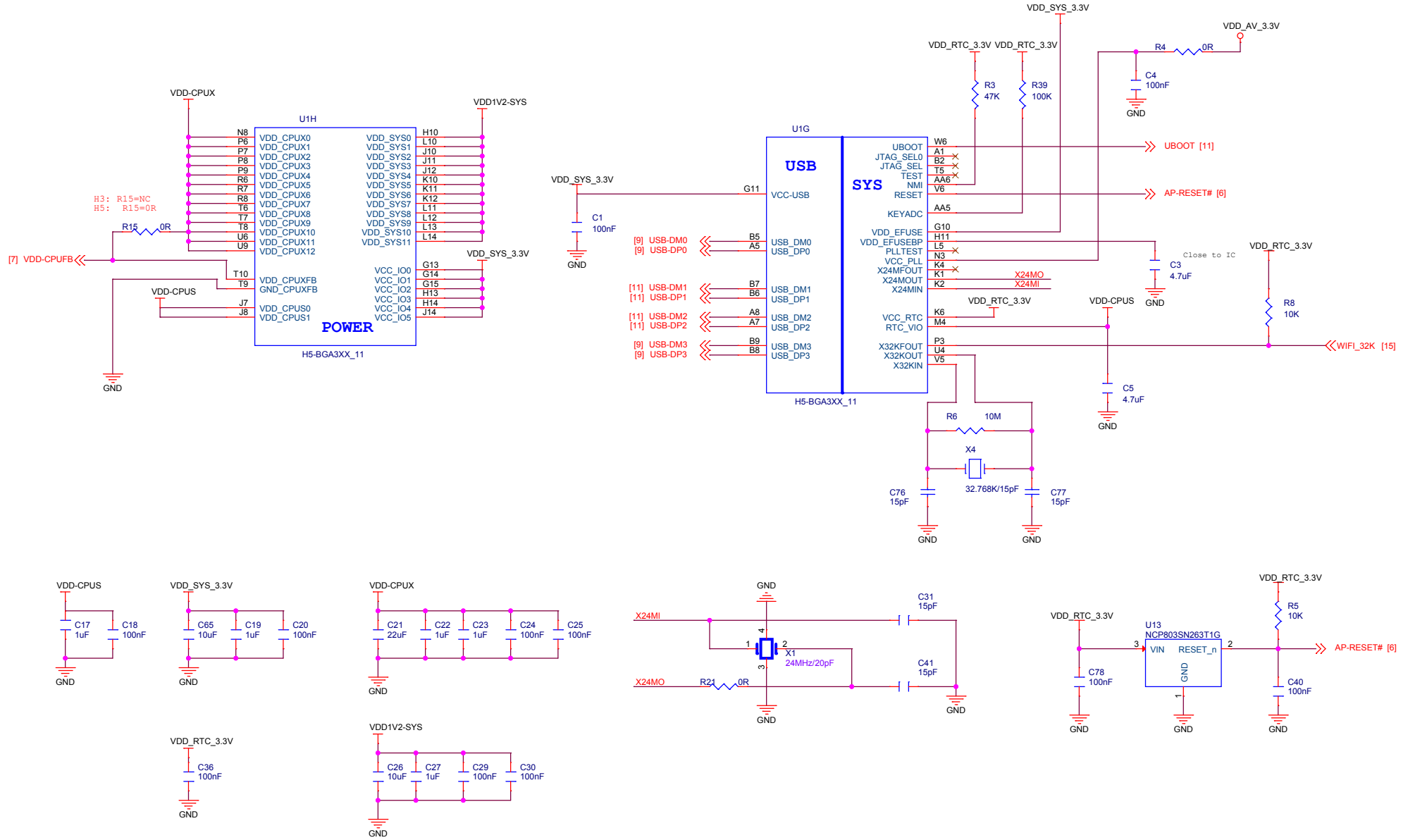
# CPU 01



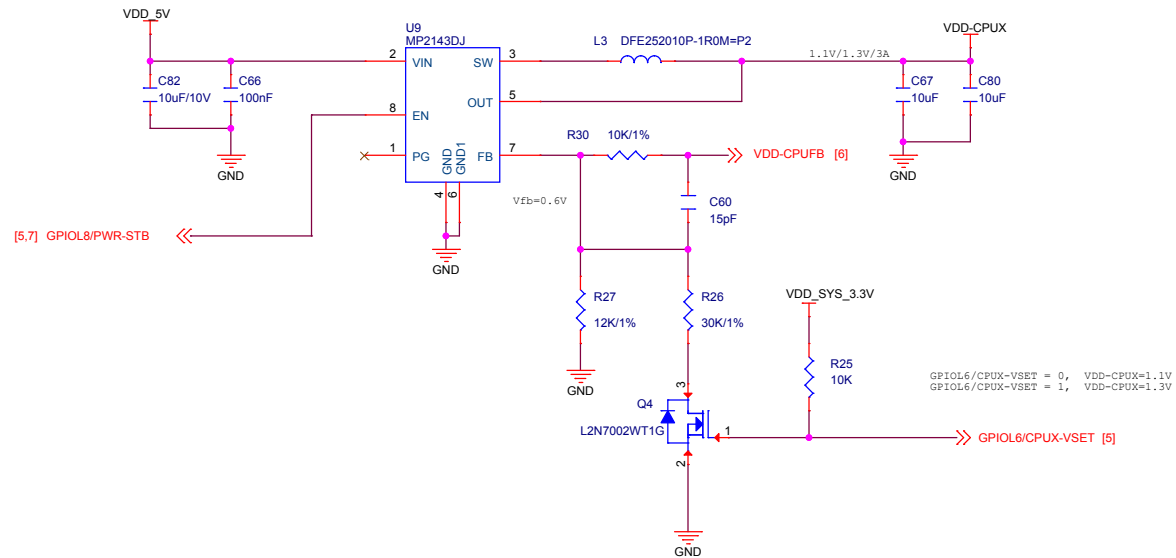
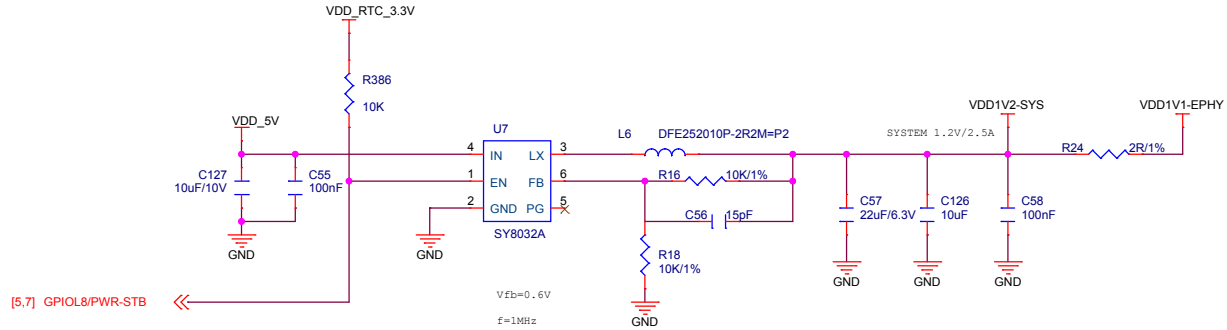
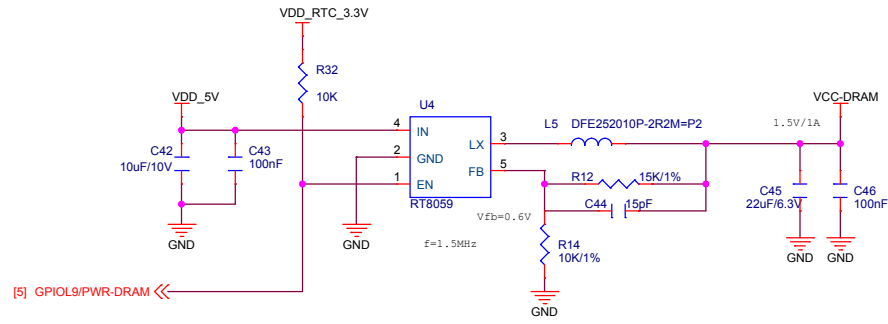
	PWRON/WORK	STANDBY	PWROFF
PWR-STB	1	0	0
PWR-DRAM	1	1	0



# CPU 02

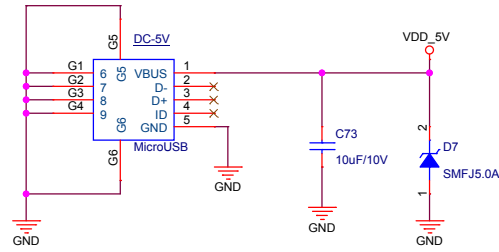


# POWER 01

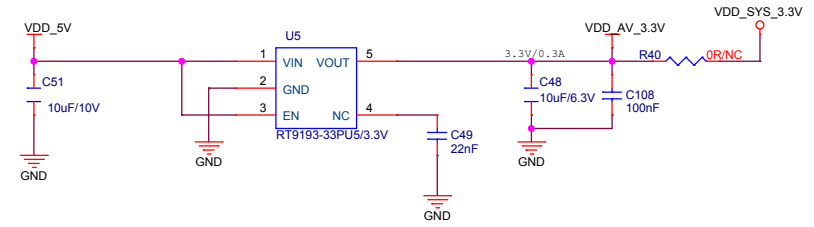


# POWER 02

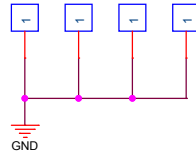
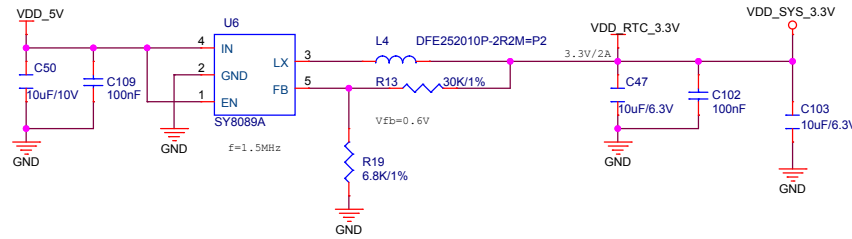
Power in Only



VCC-AVCC 3.3V/0.3A

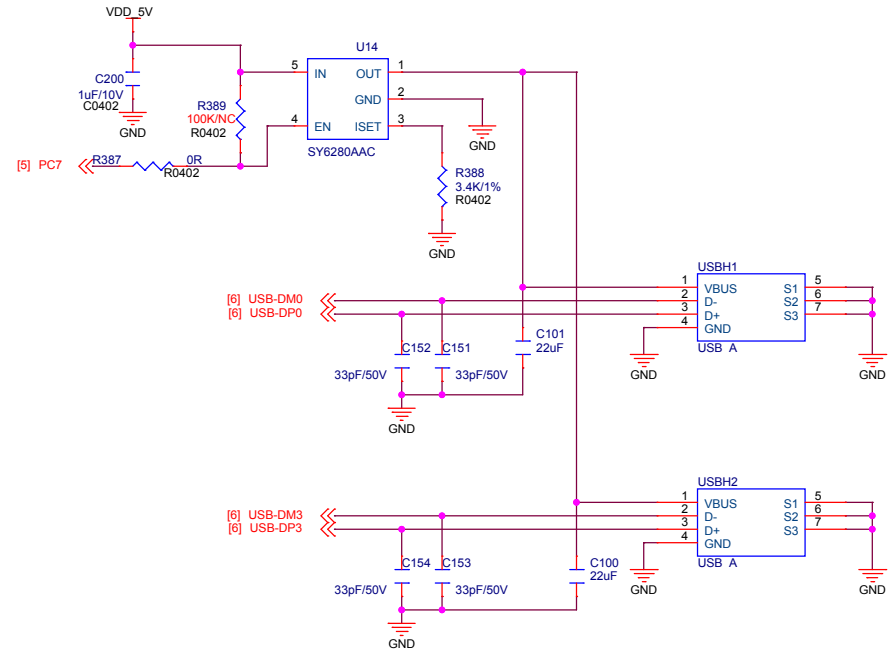
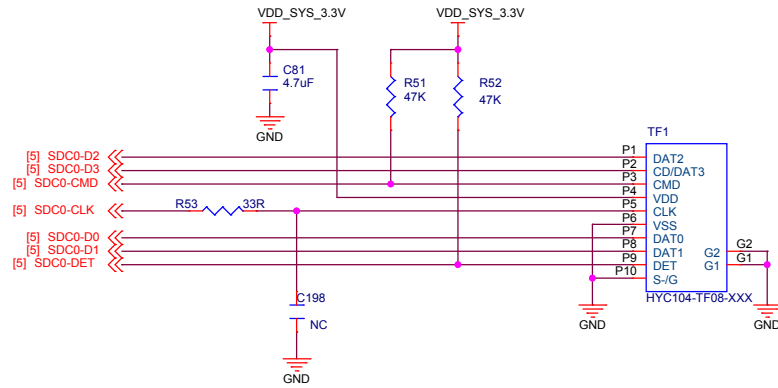


VCC-IO 3.3V/2A

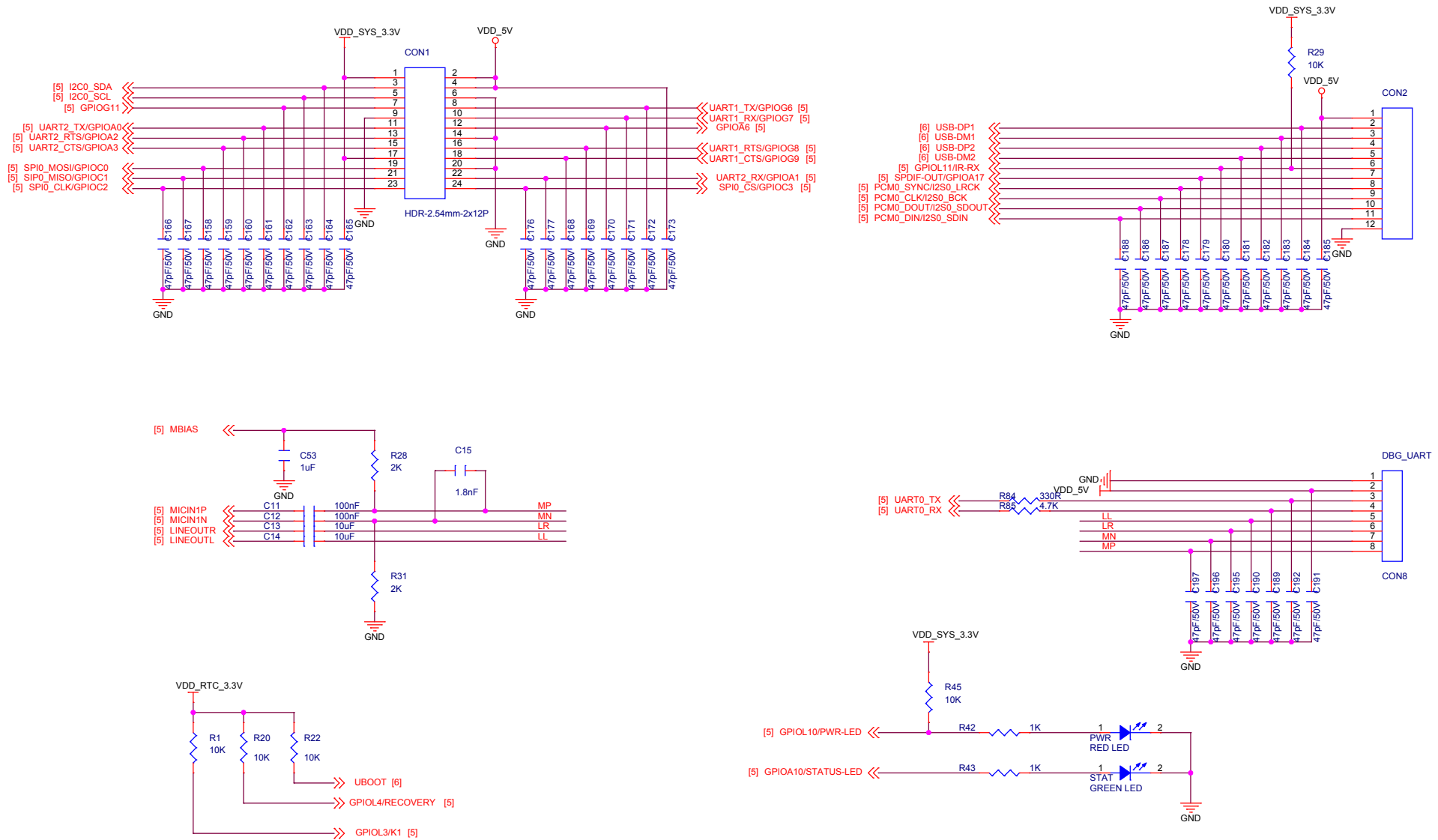


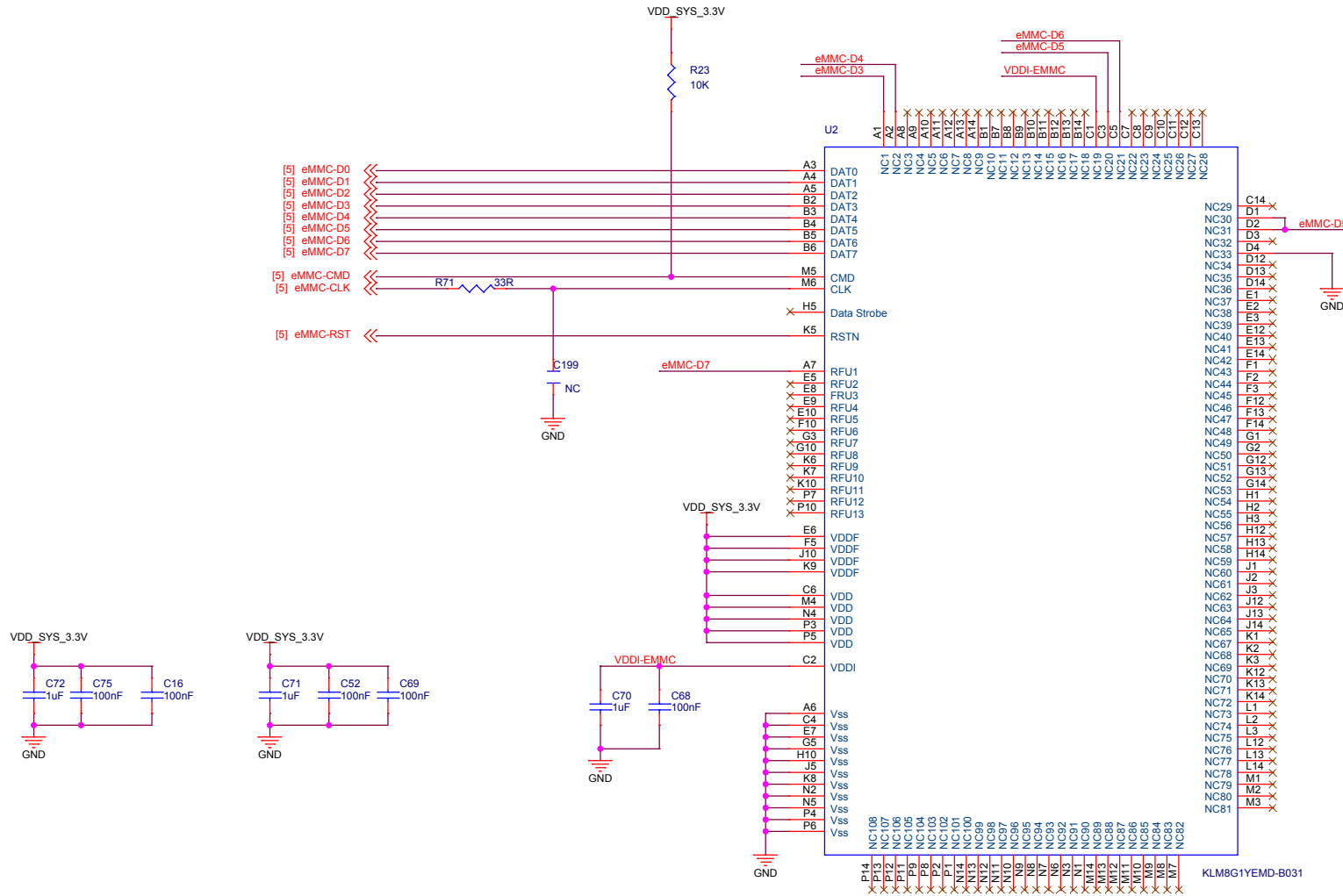


# TF,USB Host



# GPIO,LEDs,DBG\_UART,AUDIO





10/100/1000M Ethernet

