

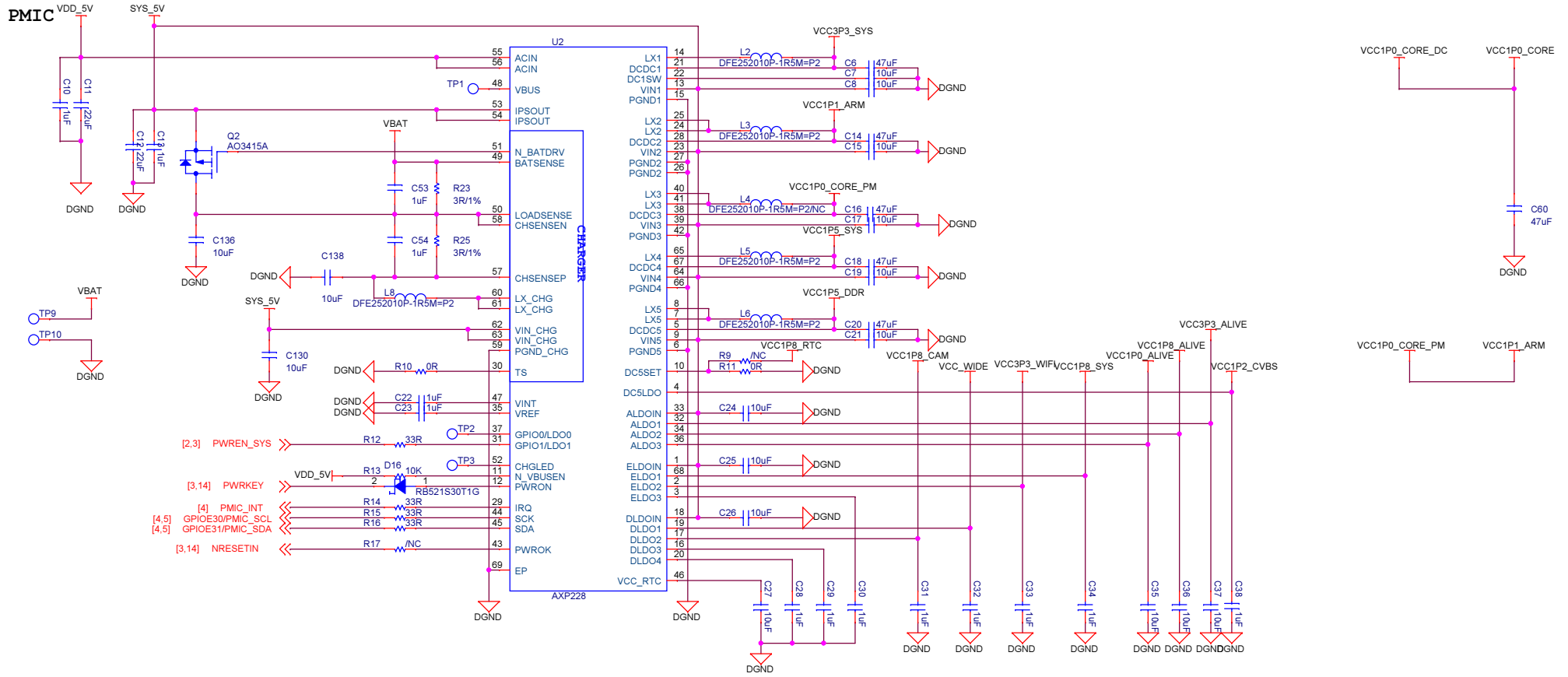
NanoPi M2

Revision

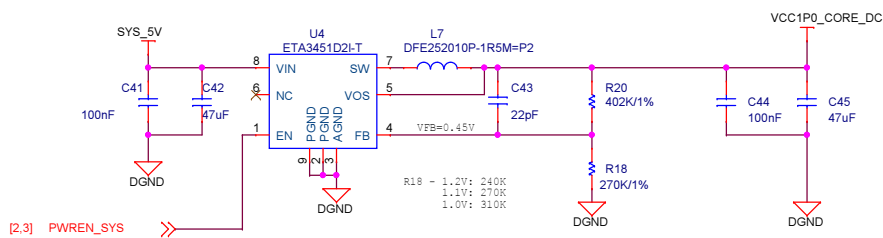
1602 , First Release

FRIENDLYARM

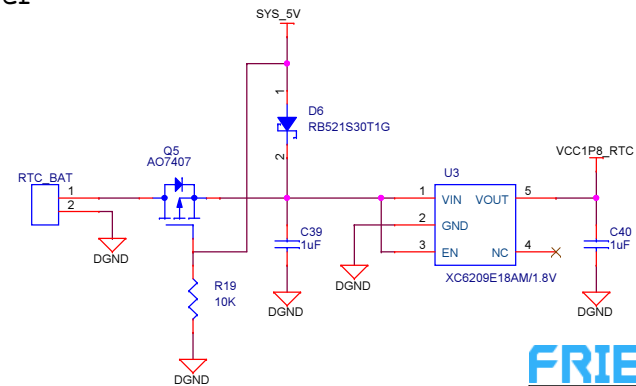
NanoPi M2		
Size A3	Document Number 01.Title	Rev 1602
Date:	Thursday, February 25, 2016	Sheet 1 of 14



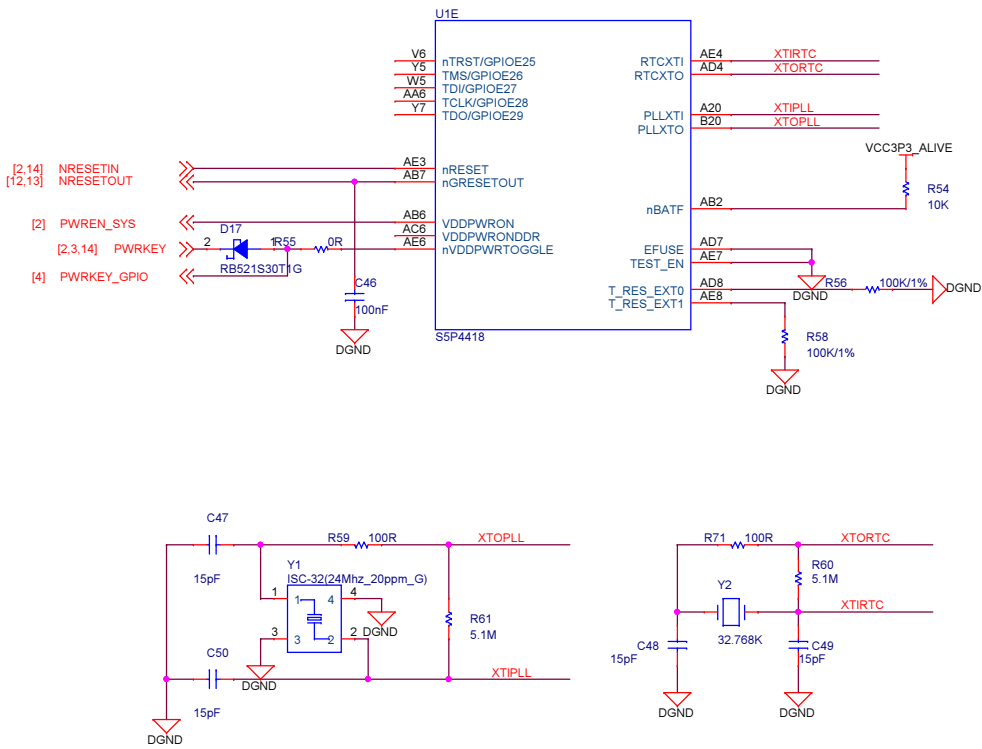
VCC1P0_CORE: 1.12V



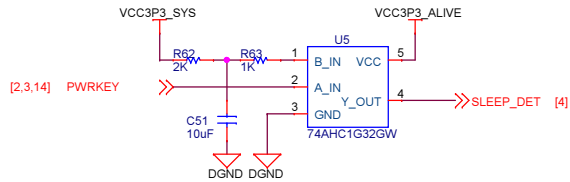
RTC Power



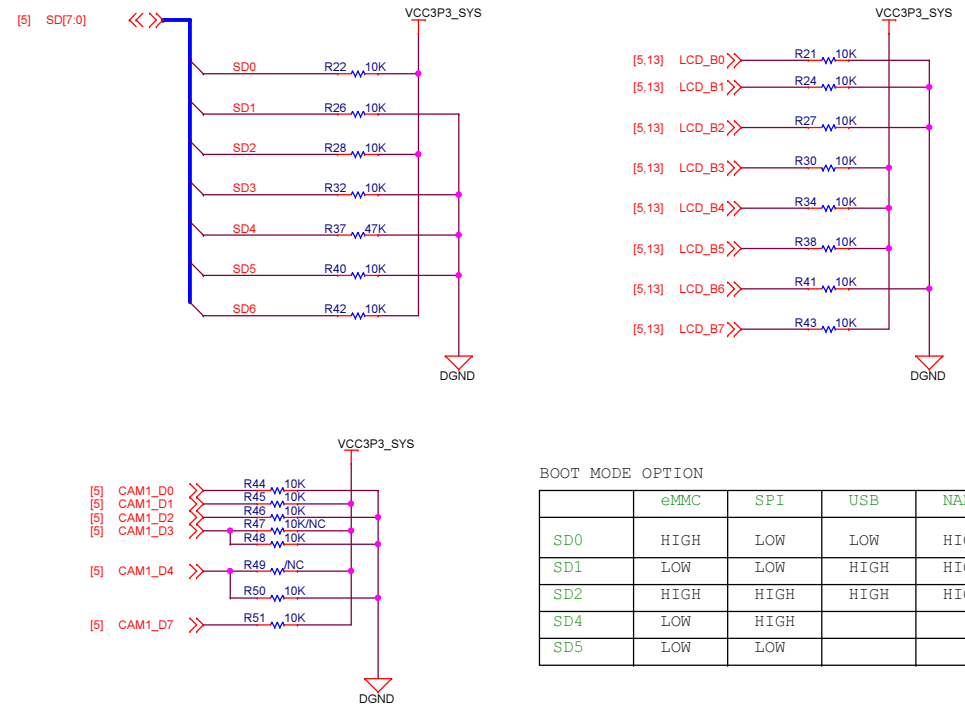
System Reset, Clocks



Sleep Detect



Boot Mode Config



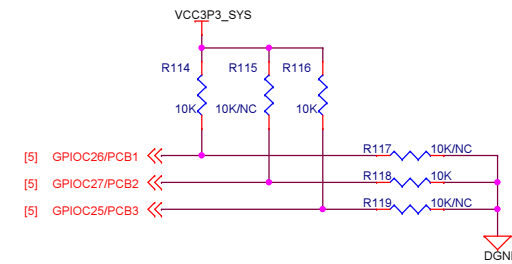
BOOT MODE OPTION

	eMMC	SPI	USB	NAND
SD0	HIGH	LOW	LOW	HIGH
SD1	LOW	LOW	HIGH	HIGH
SD2	HIGH	HIGH	HIGH	HIGH
SD4	LOW	HIGH		
SD5	LOW	LOW		

Boot media port select (SPI, eMMC)

	CH0	CH1	CH2
SD3	LOW	HIGH	LOW
CAM1_D3	LOW	LOW	HIGH

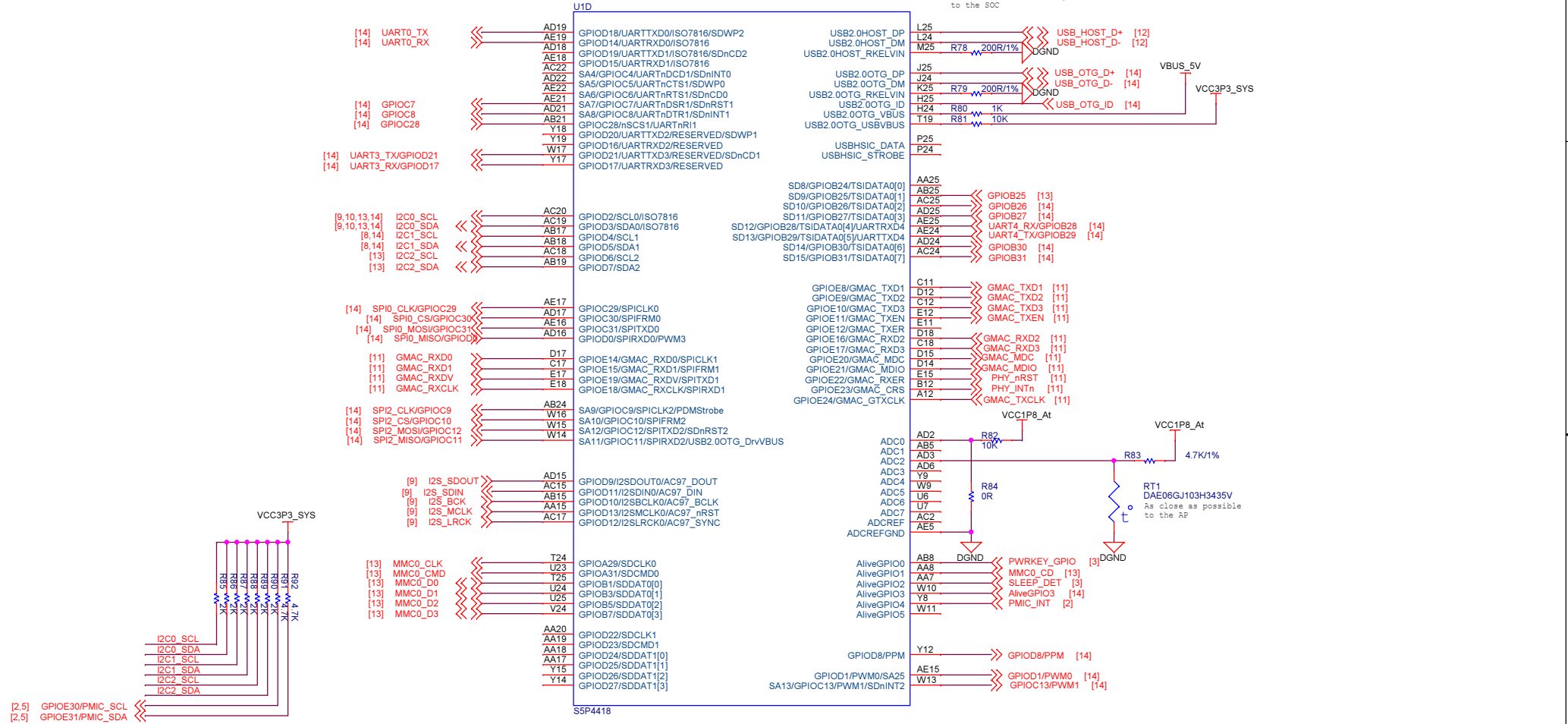
PCB Version



FRIENDLYARM

AP Peripherals

R78,R79 is as close as possible to the SOC



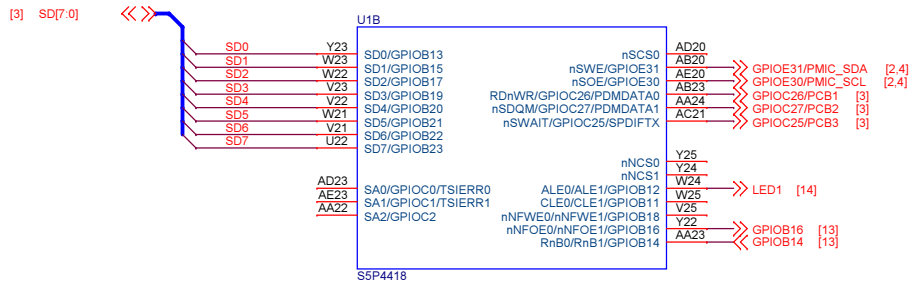
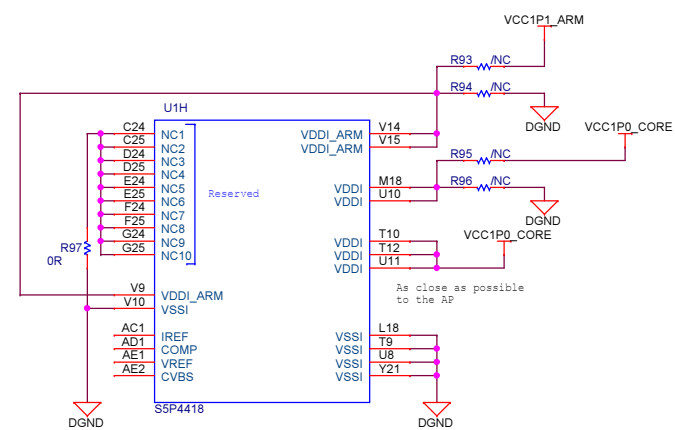
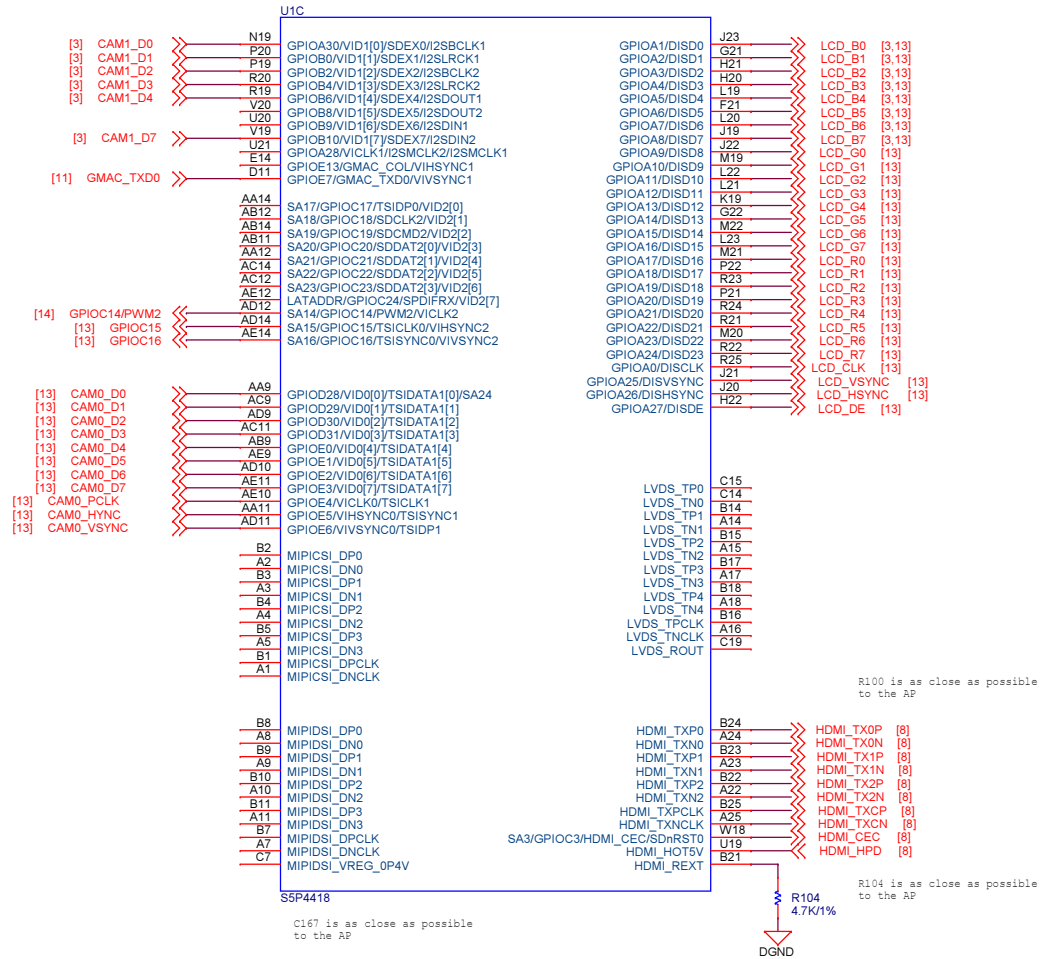
I2C CH0 : Camera
 I2C CH1 : HDMI EDED
 I2C CH2 : Touch
 PMIC_I2C : PMIC



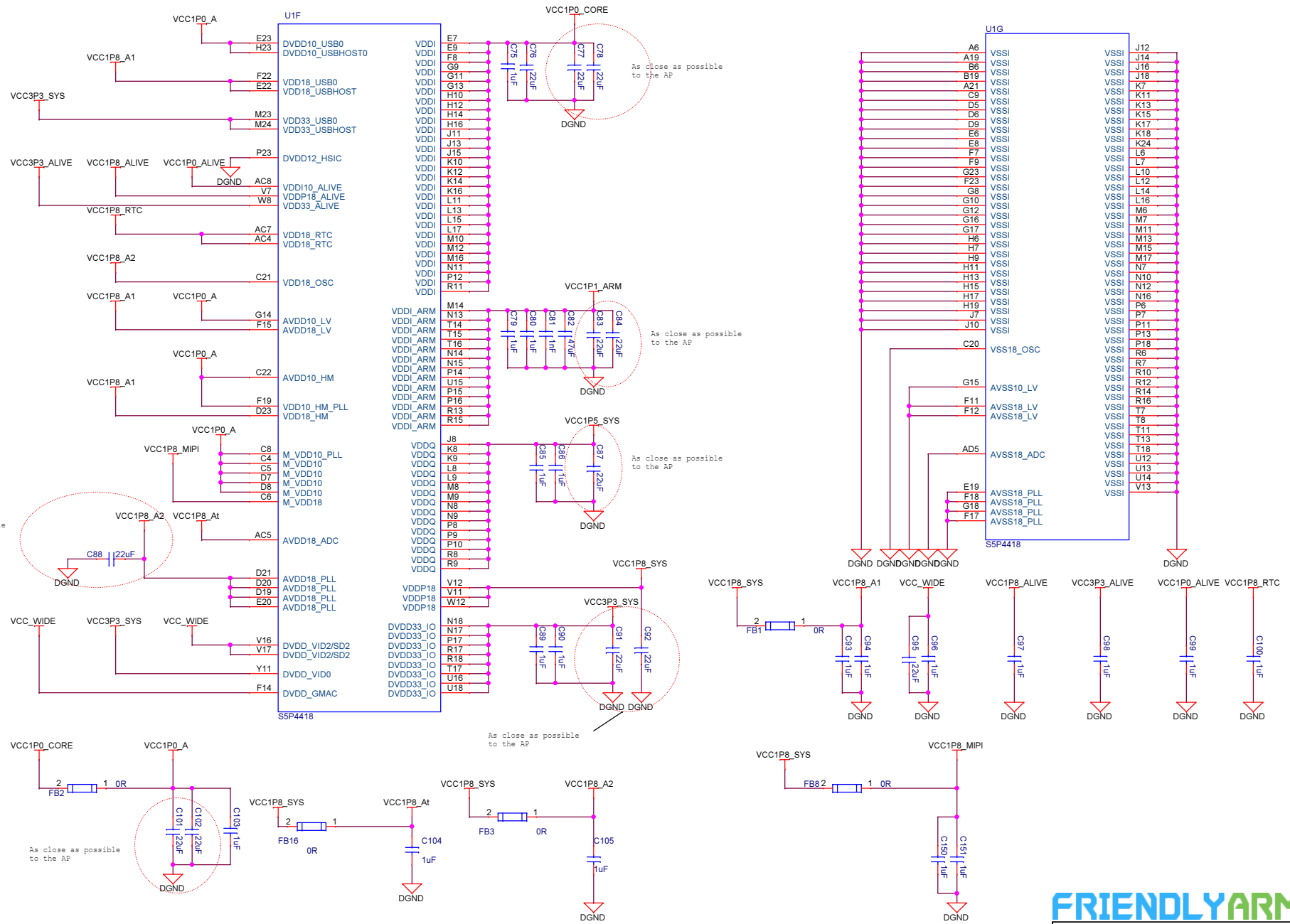
NanoPi M2		
Size A3	Document Number 04.AP Peripherals	Rev 1602
Date: Thursday, February 25, 2016	Sheet 4	of 14

AP VIP&Display

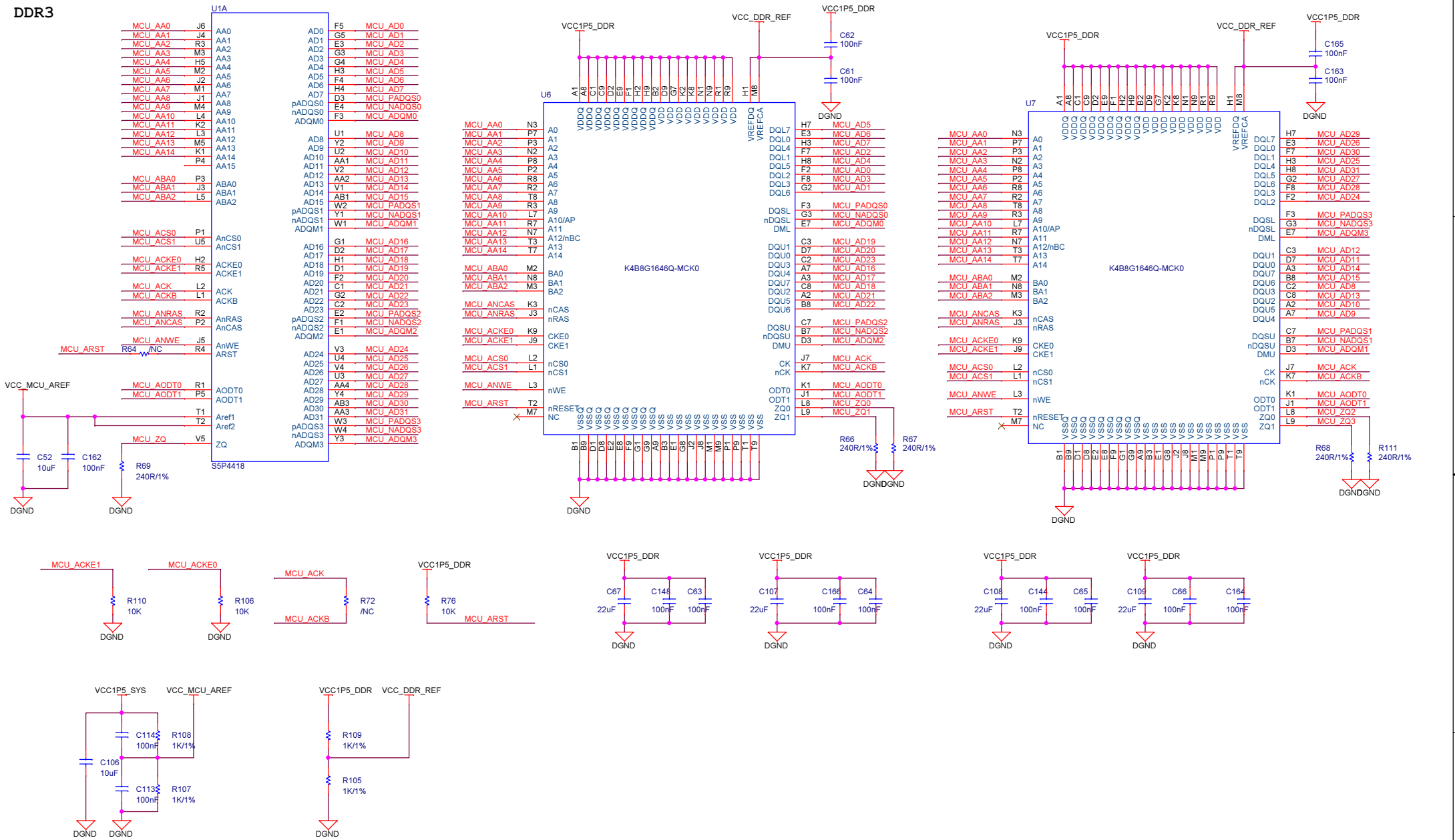
Reserved Function



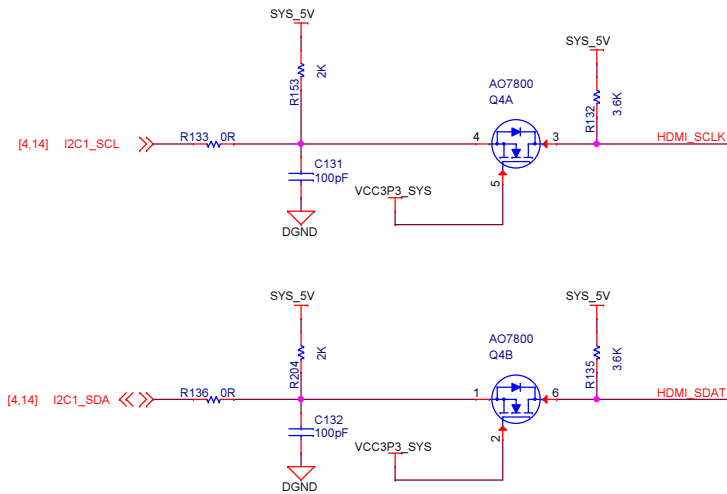
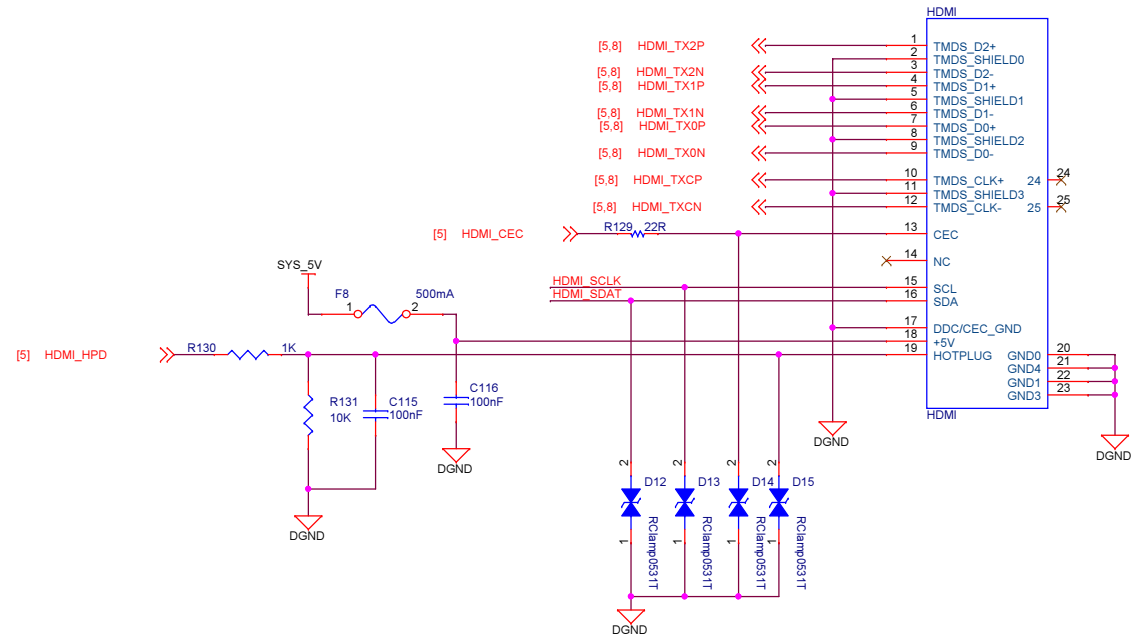
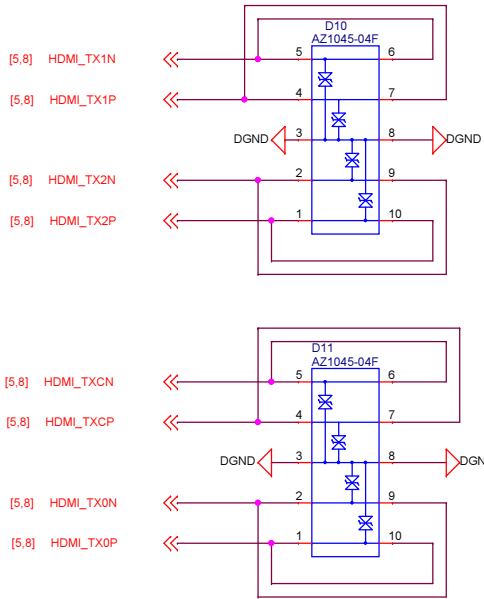
AP Power



DDR3



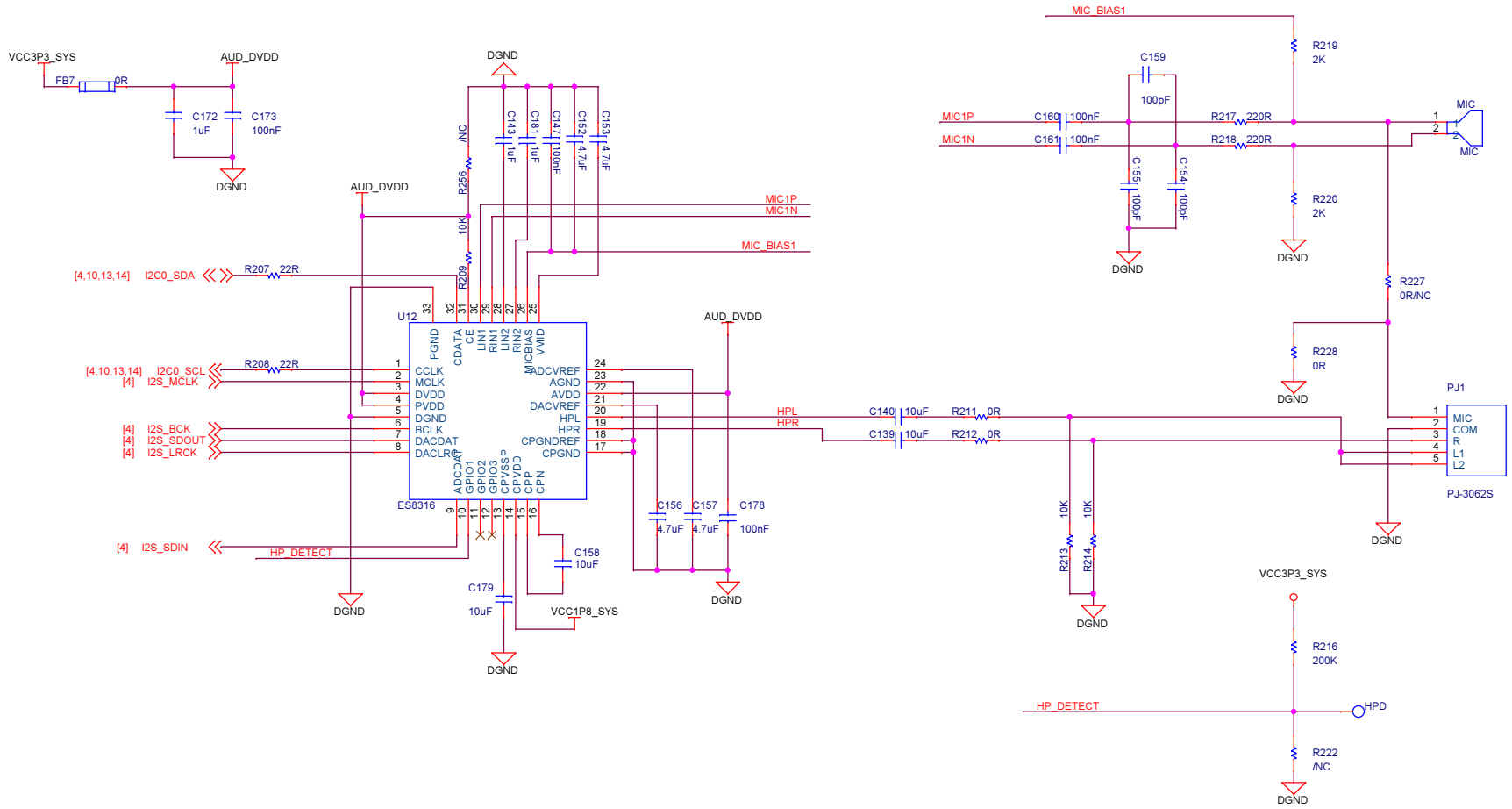
HDMI



FRIENDLYARM

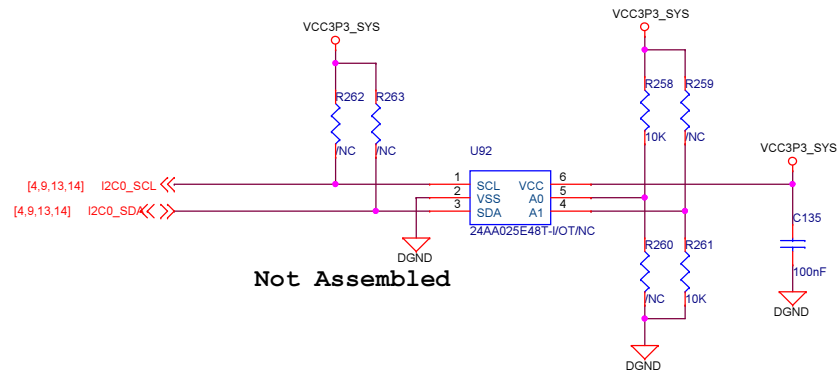
NanoPi M2		
Size A3	Document Number 09.HDMI	Rev 1602
Date: Thursday, February 25, 2016	Sheet 8	of 14

Audio



NanoPi M2		
Size	Document Number	Rev
A3	12.Audio	1602
Date:	Thursday, February 25, 2016	Sheet 9 of 14

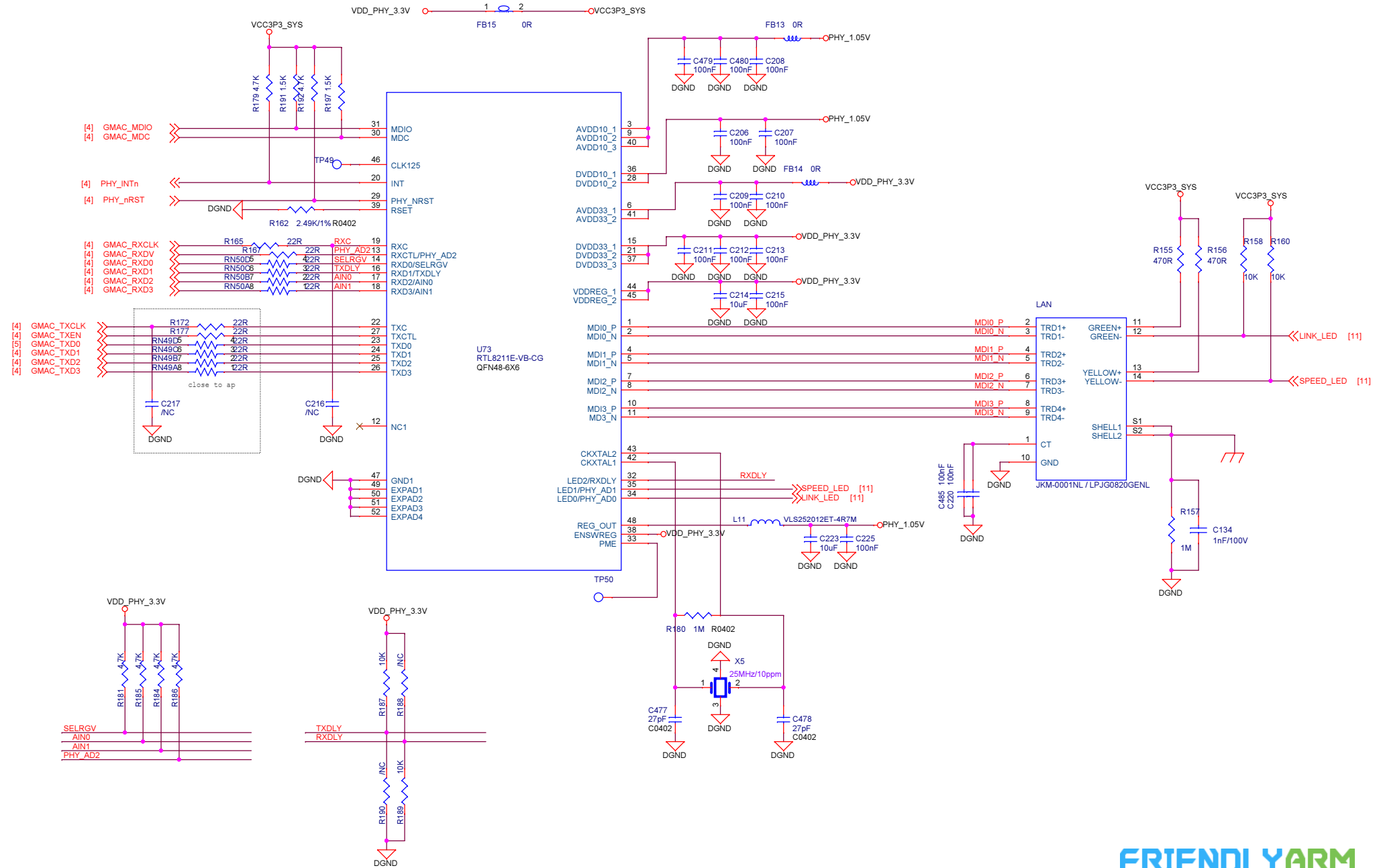
EEPROM with MAC Address



FRIENDLYARM

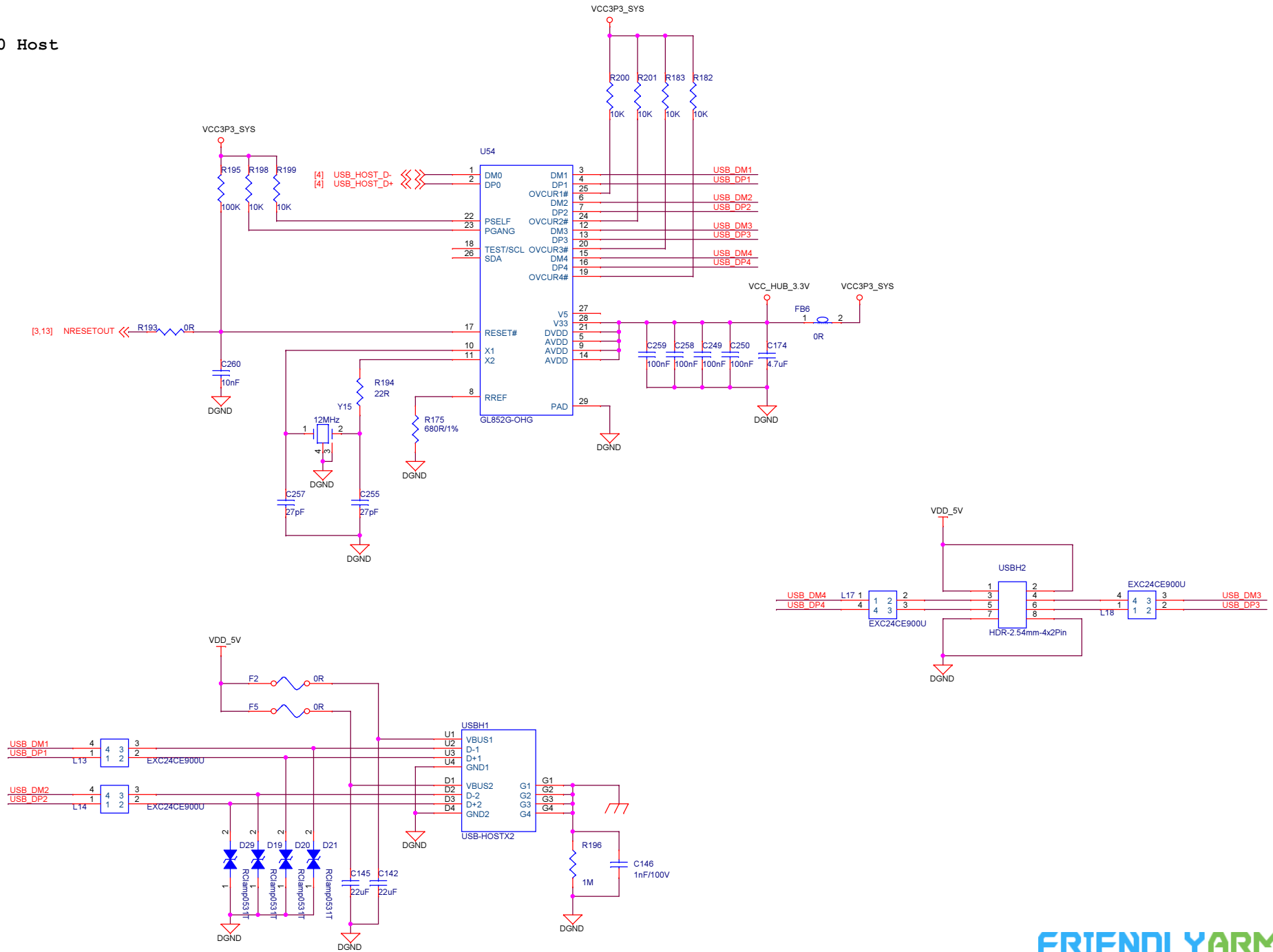
NanoPi M2		
Size A3	Document Number 11.EEPROM_SHA-256_Holes	Rev 1602
Date:	Thursday, February 25, 2016	Sheet 10 of 14

10/100/1000M Ethernet



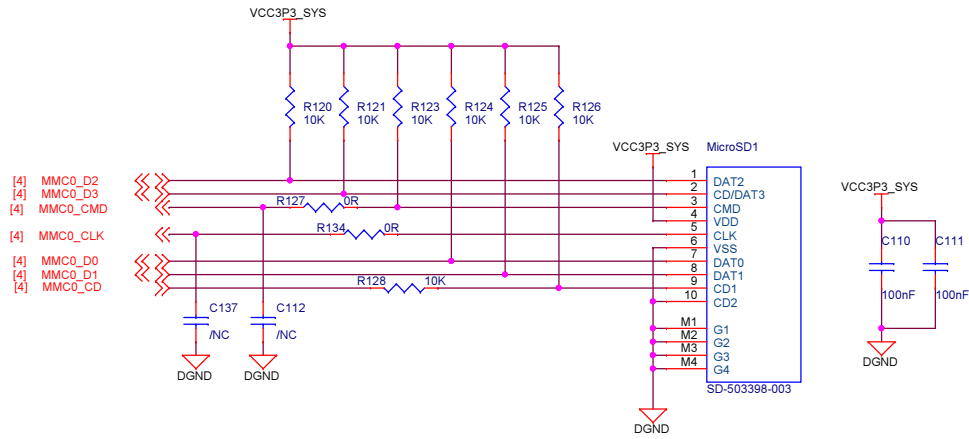
NanoPi M2		
Size A3	Document Number 14.LAN	Rev 1602
Date: Thursday, February 25, 2016	Sheet 11	of 14

USB 2.0 Host

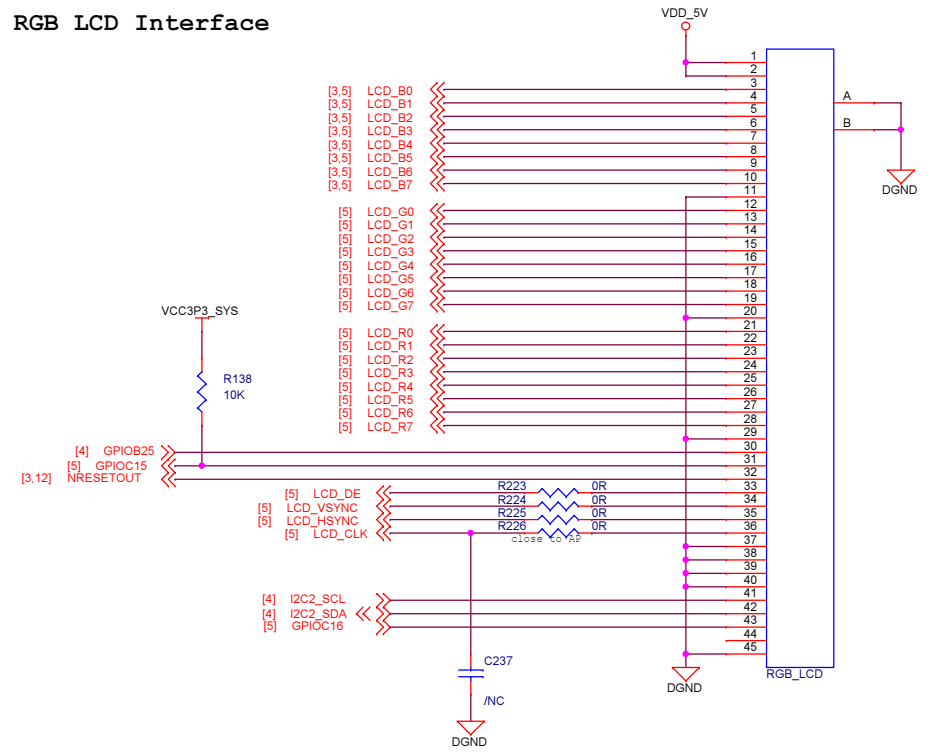


NanoPi M2		
Size	Document Number	Rev
A3	15.USB-Host	1602
Date:	Thursday, February 25, 2016	Sheet 12 of 14

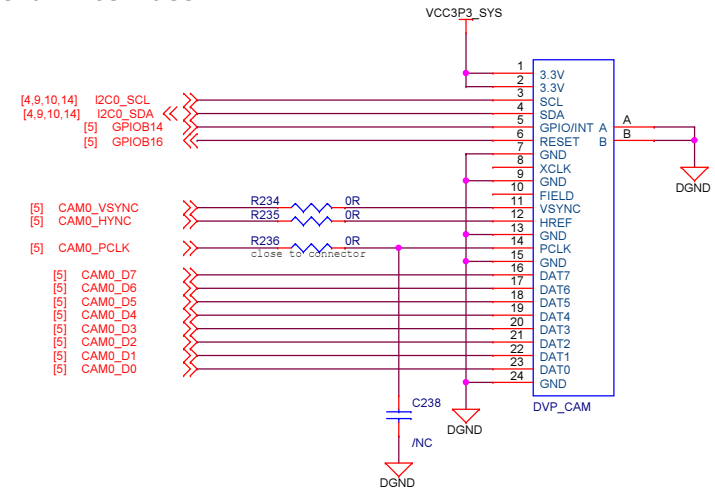
SDCARD



RGB LCD Interface

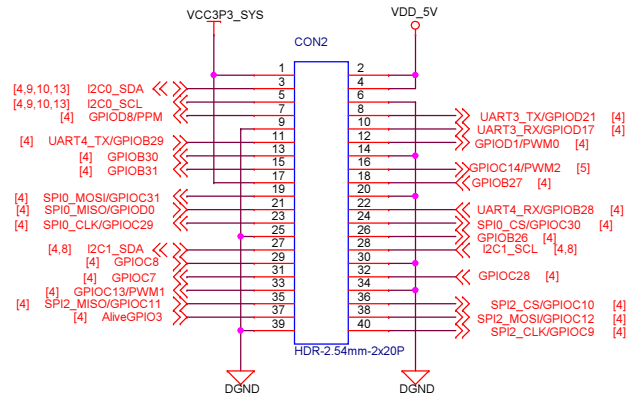


Camera Interface

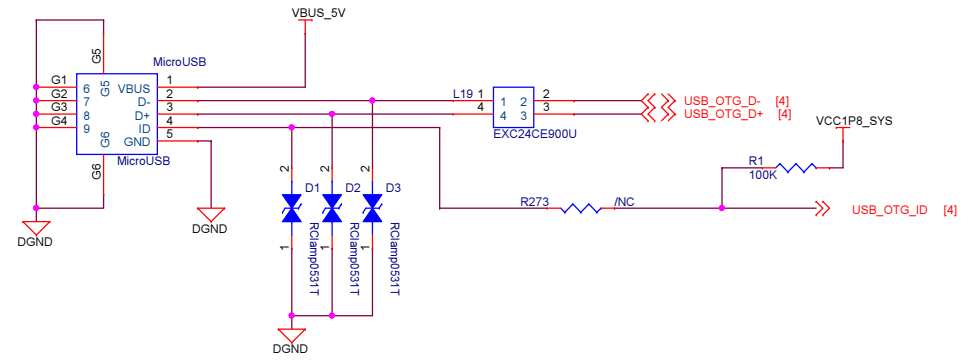


FRIENDLYARM

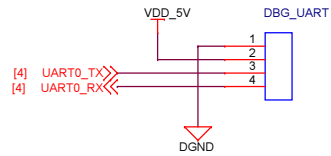
2.54mm Header



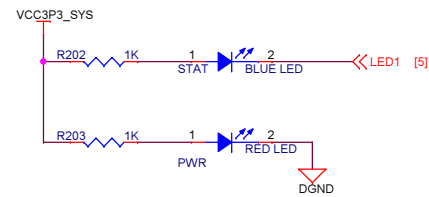
MicroUSB



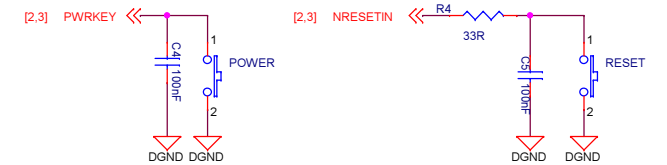
Debug UART



LEDs



Buttons



FRIENDLYARM

NanoPi M2		
Size A3	Document Number 16.Header,USB,LEDs,Buttons,LVDS	Rev 1602
Date: Thursday, February 25, 2016	Sheet 14 of 14	