

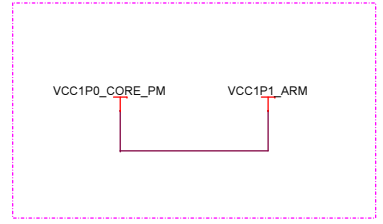
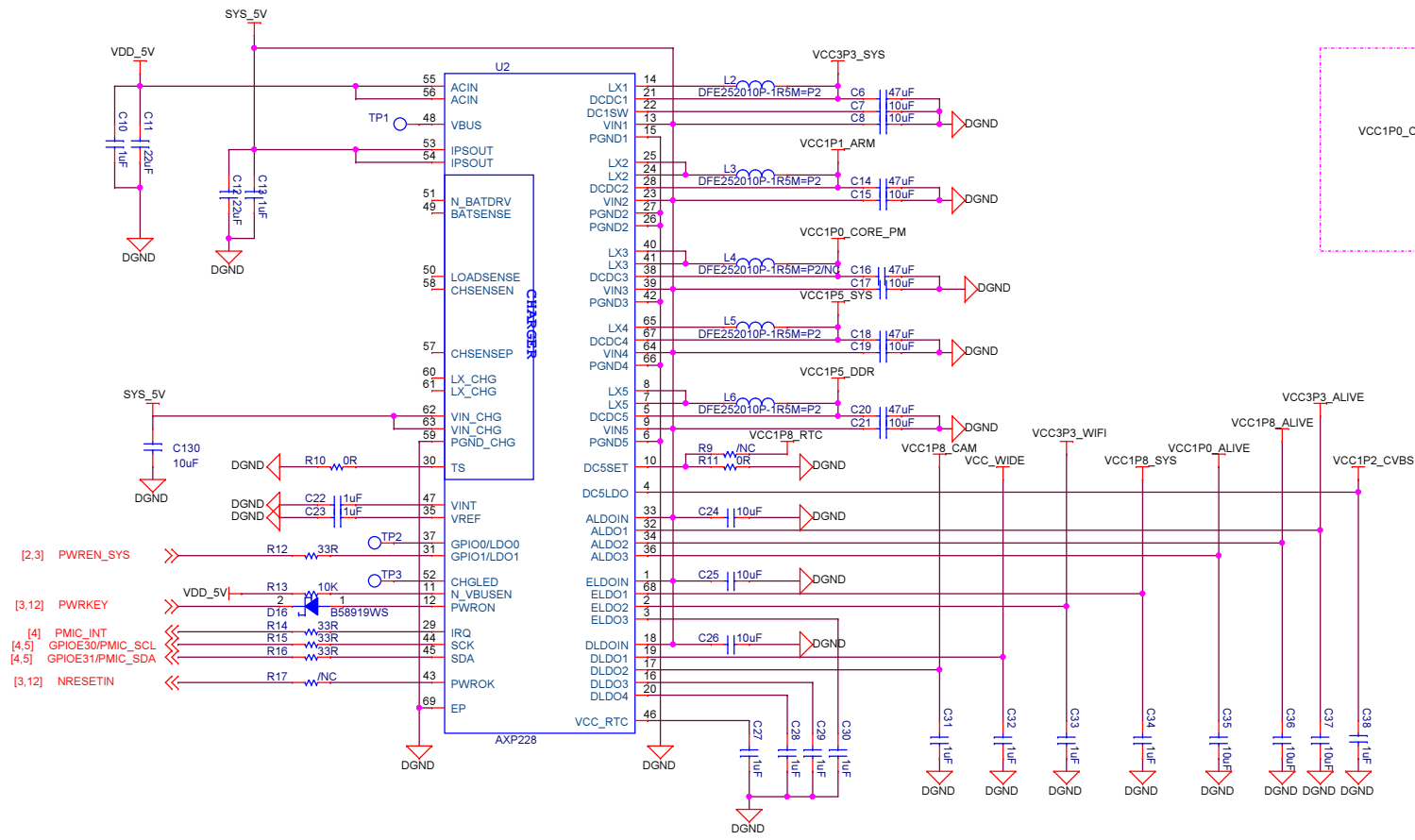
Smart4418

Revision

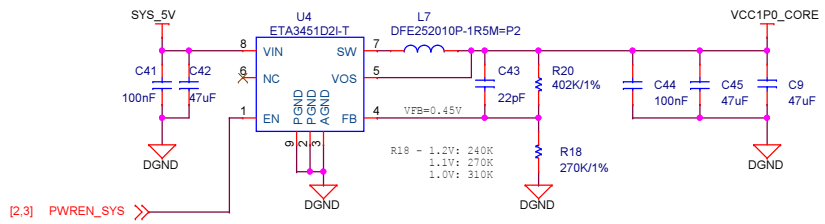
1512 , First Version



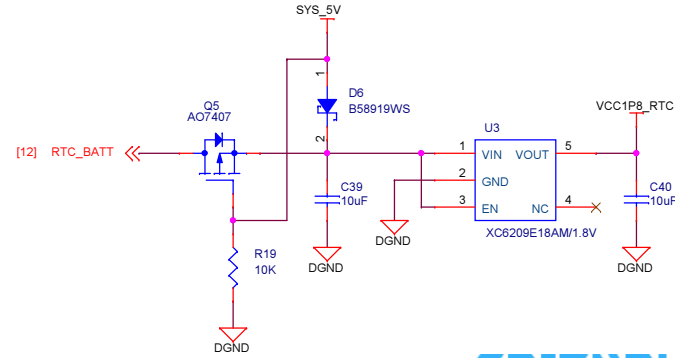
Smart4418		
Size A3	Document Number 01.Title	Rev 1512
Date:	Monday, March 07, 2016	Sheet 1 of 12



VCC1P0_CORE_DC:1.1V

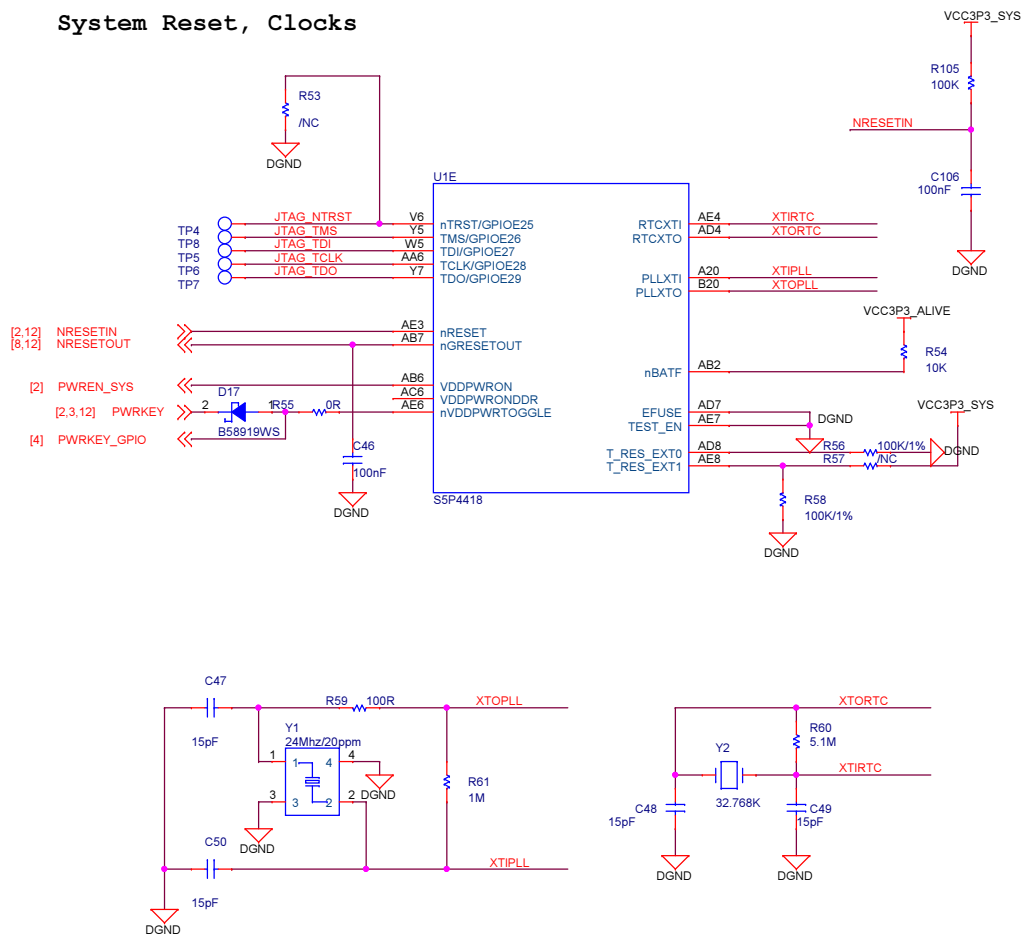


RTC Power

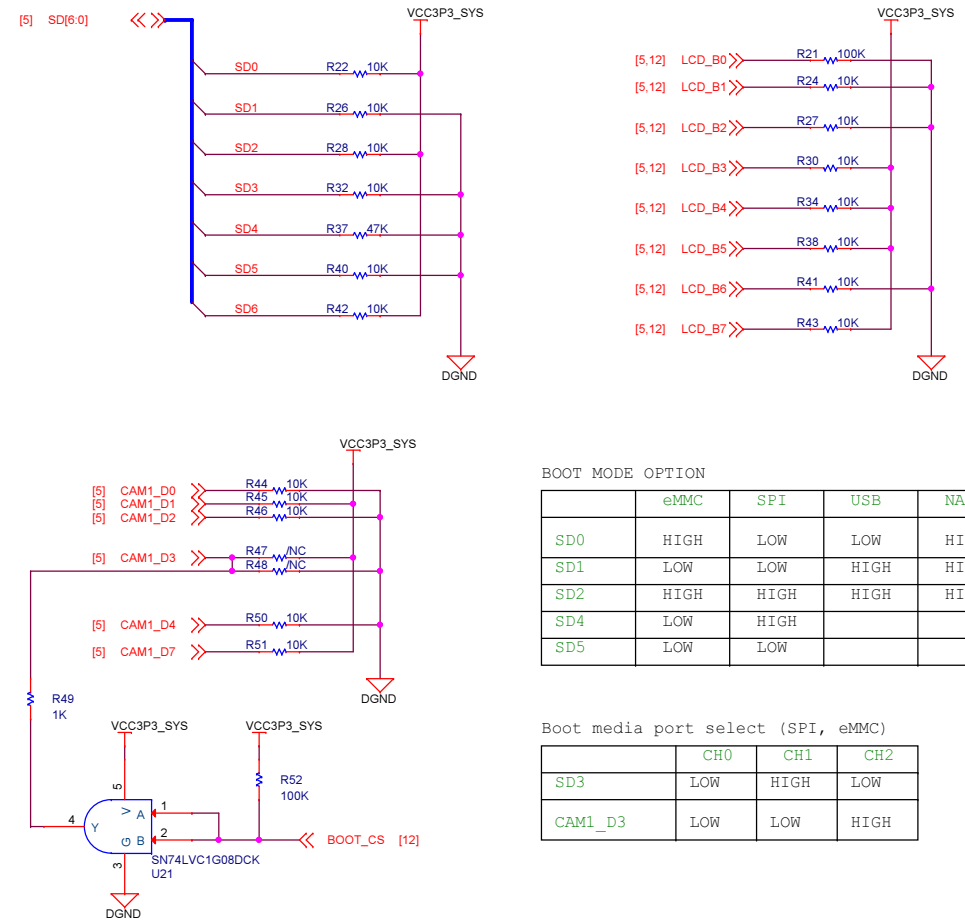


Smart4418		
Size A3	Document Number 02.PMIC	Rev 1512
Date: Monday, March 07, 2016	Sheet 2	of 12

System Reset, Clocks



Boot Mode Config



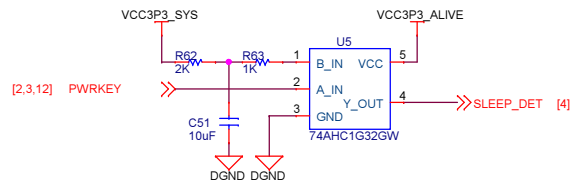
BOOT MODE OPTION

	eMMC	SPI	USB	NAND
SD0	HIGH	LOW	LOW	HIGH
SD1	LOW	LOW	HIGH	HIGH
SD2	HIGH	HIGH	HIGH	HIGH
SD4	LOW	HIGH		
SD5	LOW	LOW		

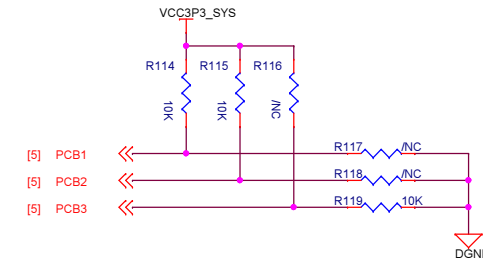
Boot media port select (SPI, eMMC)

	CH0	CH1	CH2
SD3	LOW	HIGH	LOW
CAM1_D3	LOW	LOW	HIGH

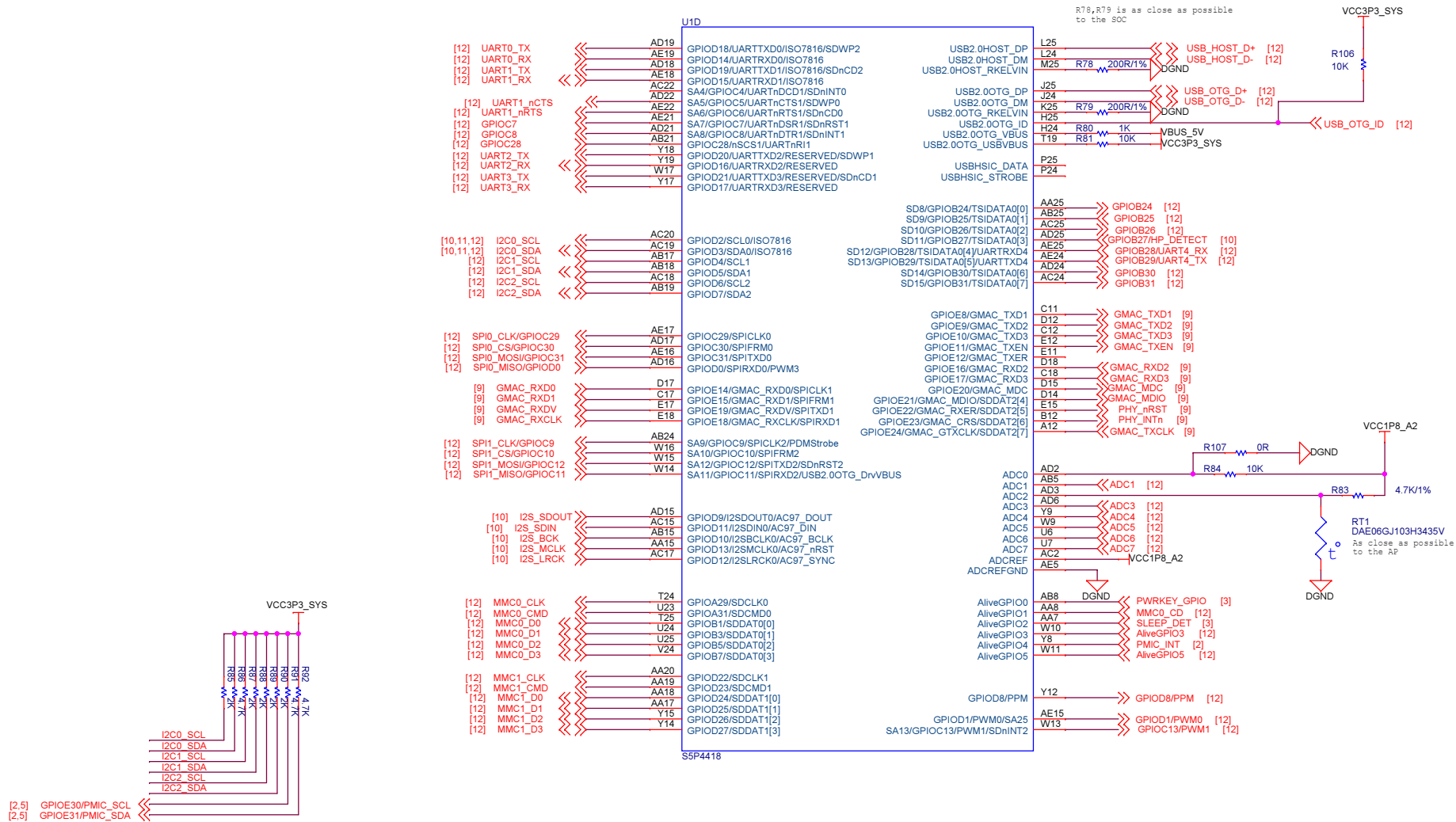
Sleep Detect



PCB Version

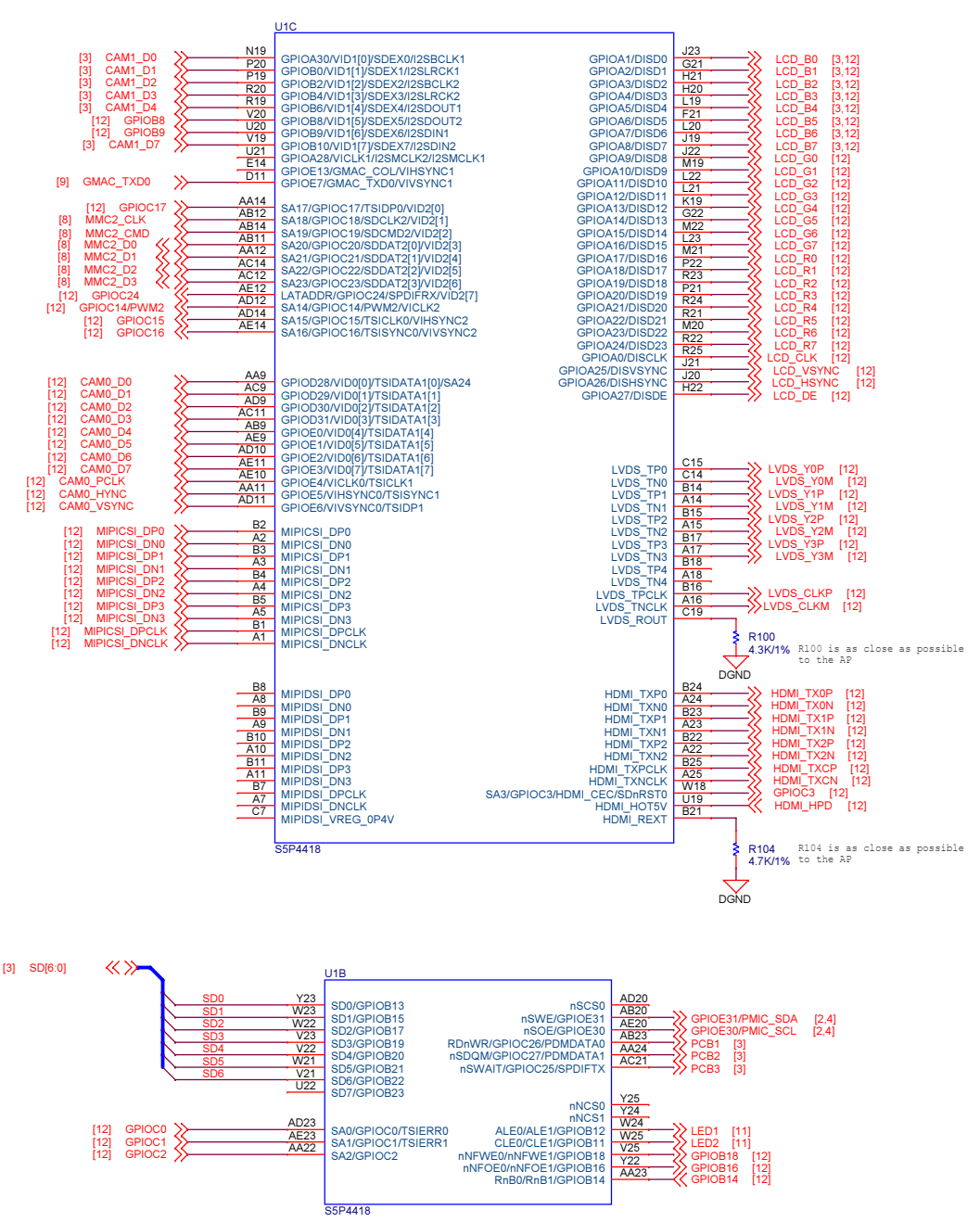
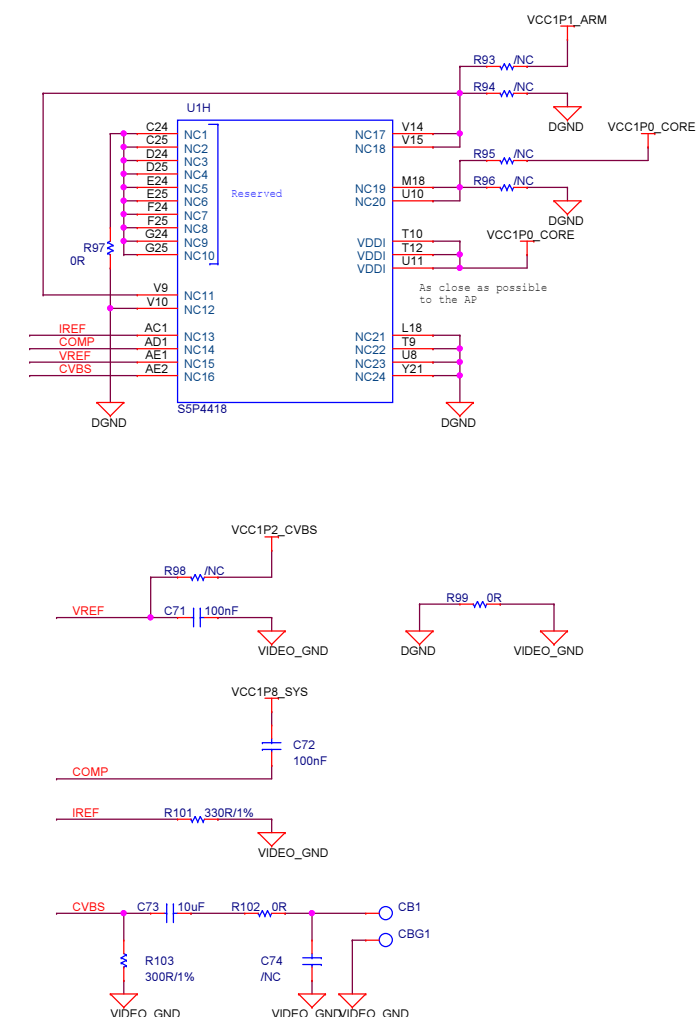


FRIENDLYARM

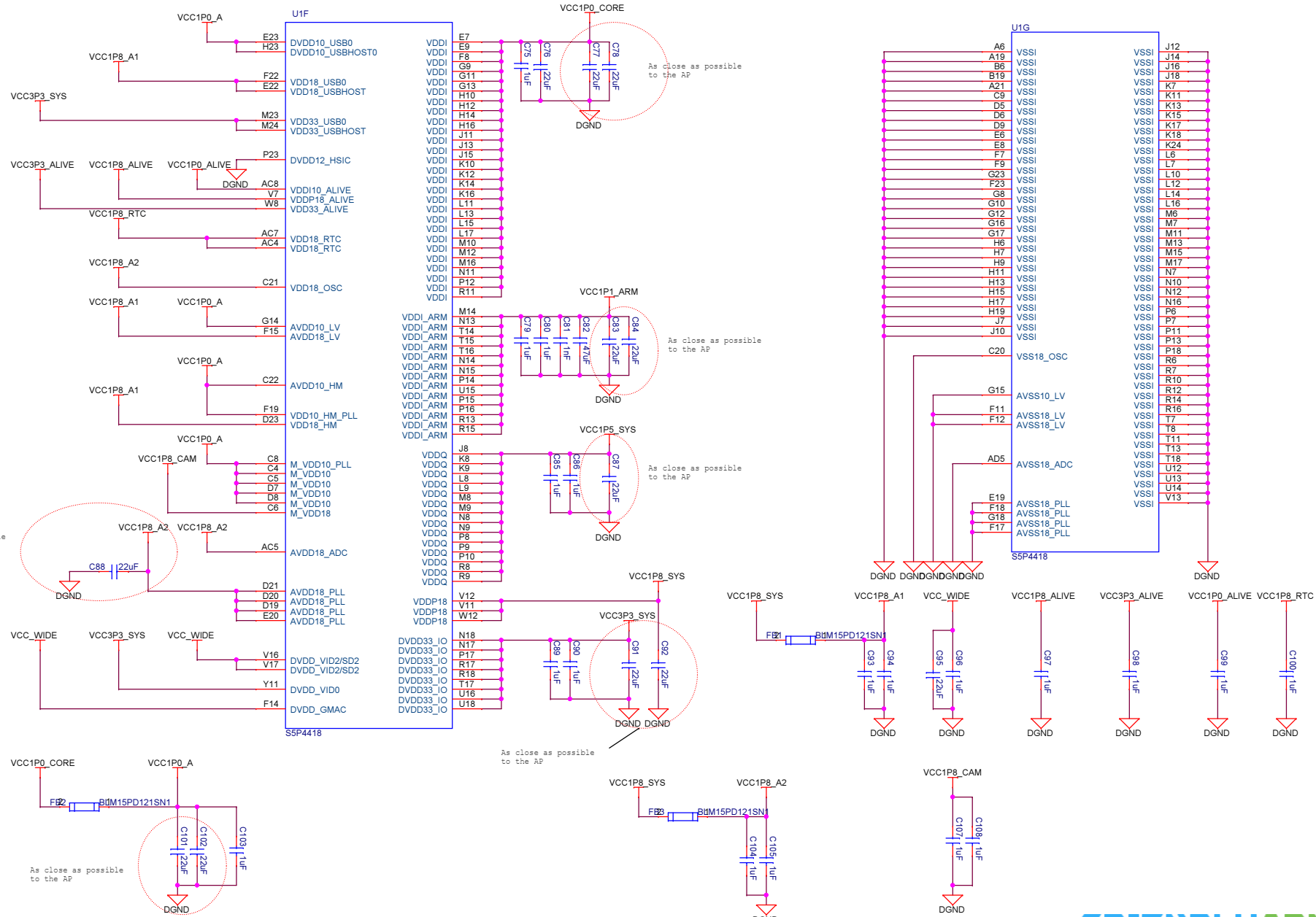


Smart4418		
Size A3	Document Number 04.AP Peripherals	Rev 1512
Date: Monday, March 07, 2016	Sheet 4 of 12	

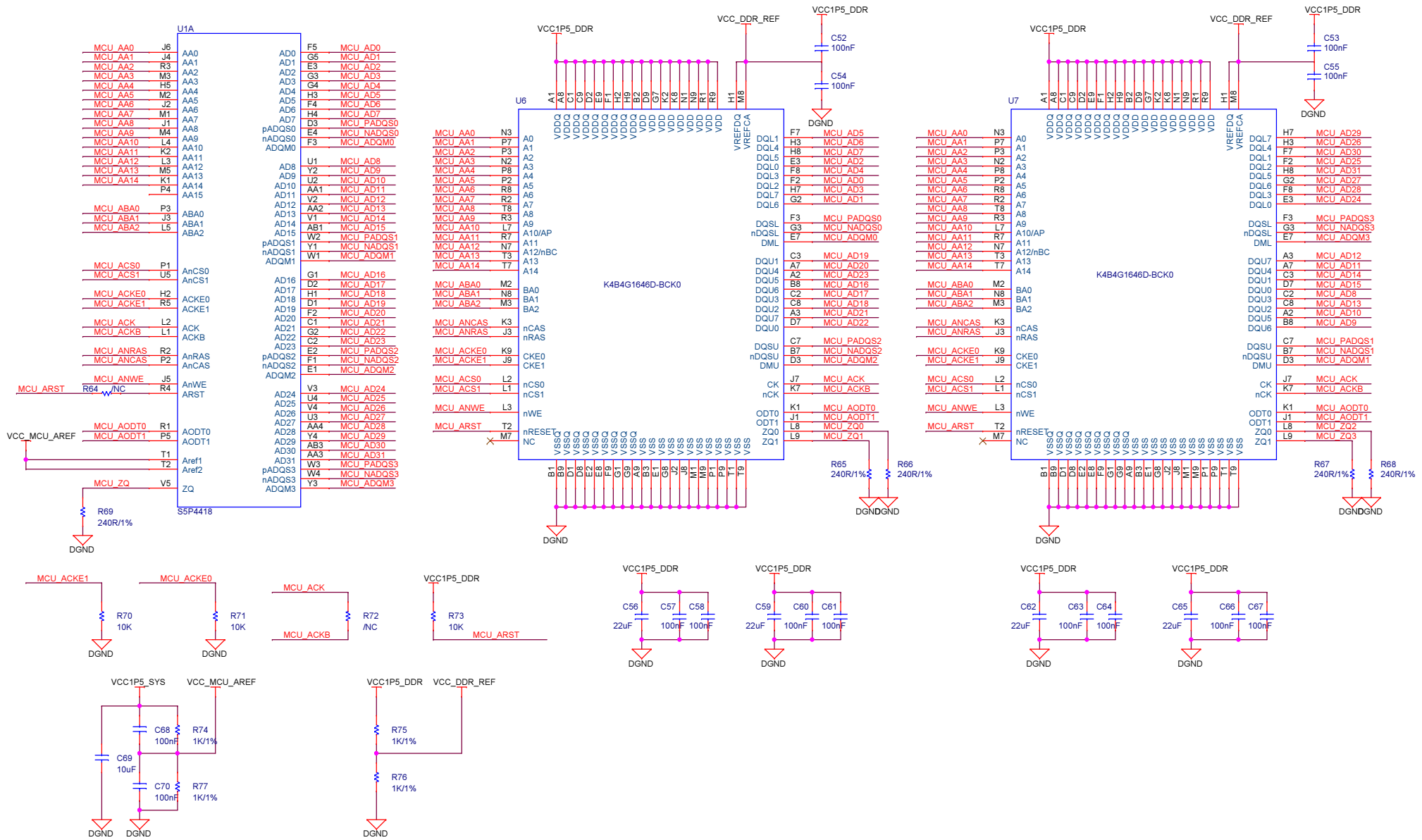
Reserved Function



Smart4418		
Size A3	Document Number 05.AP VIP&Display	Rev 1512
Date: Monday, March 07, 2016	Sheet 5	of 12

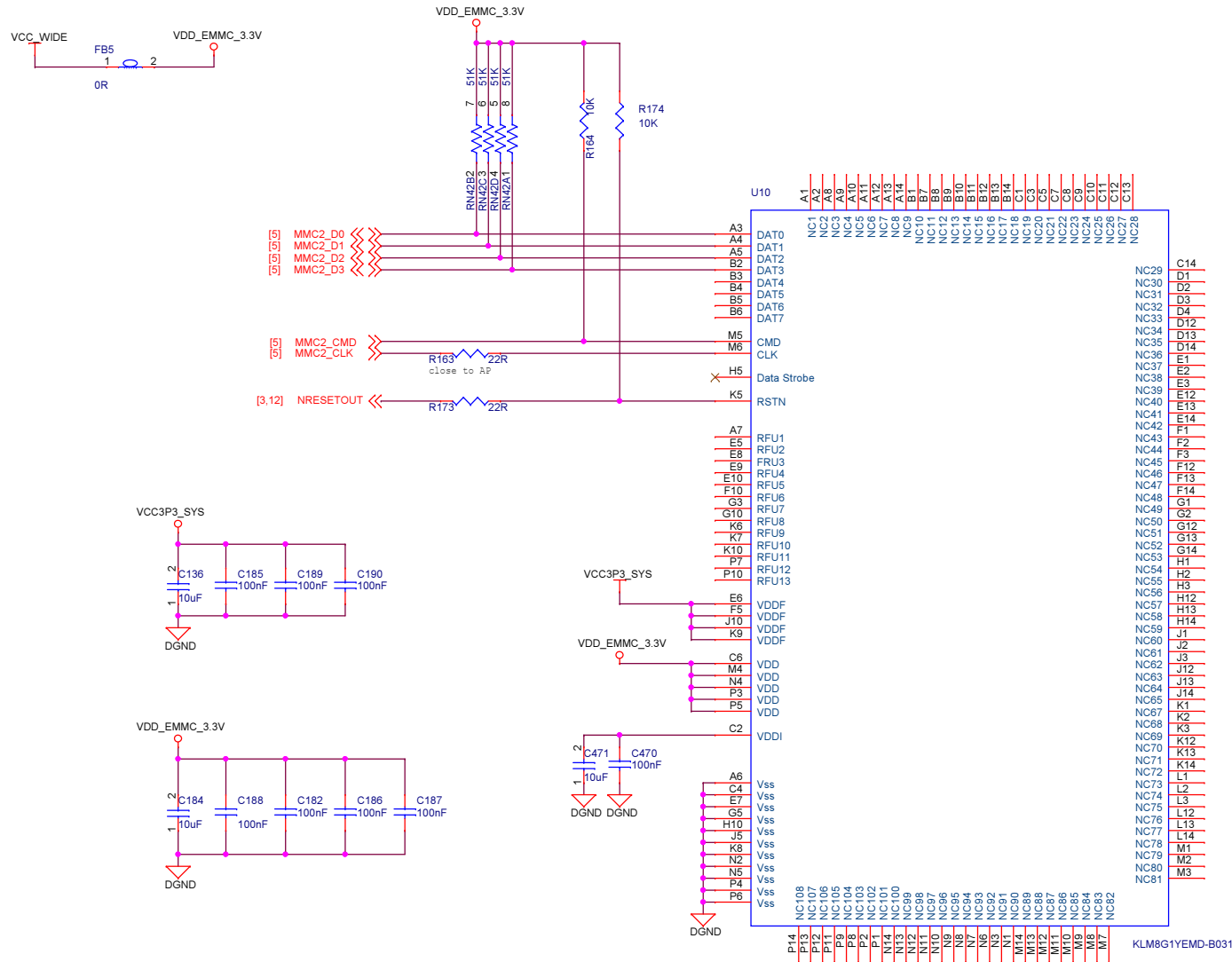


Smart4418		
Size A3	Document Number 06.AP Power	Rev 1512
Date: Monday, March 07, 2016	Sheet 6	of 12



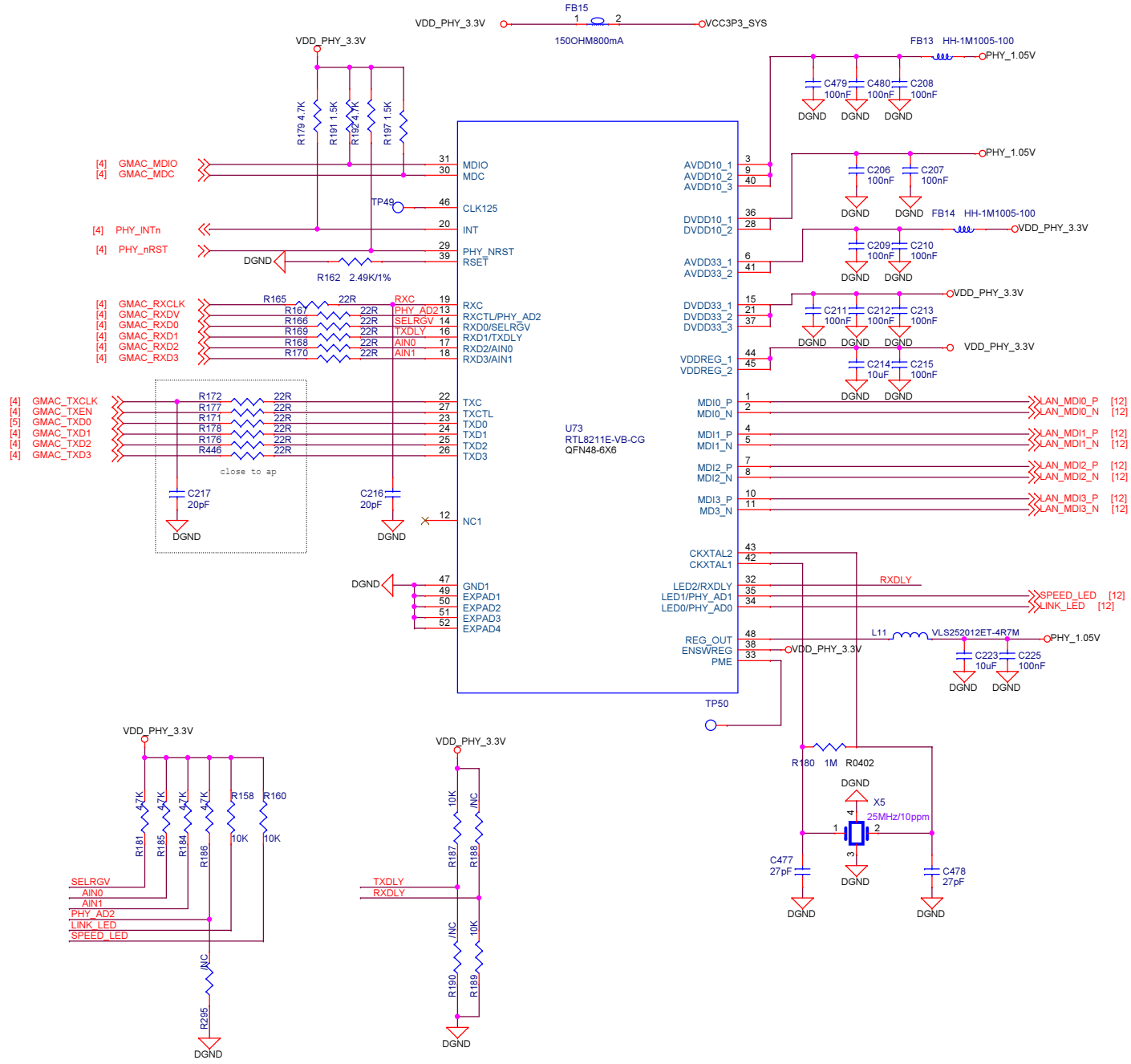
FRIENDLYARM

Smart4418		
Size	Document Number	Rev
A3	07_DDR III	1512
Date:	Monday, March 07, 2016	Sheet 7 of 12



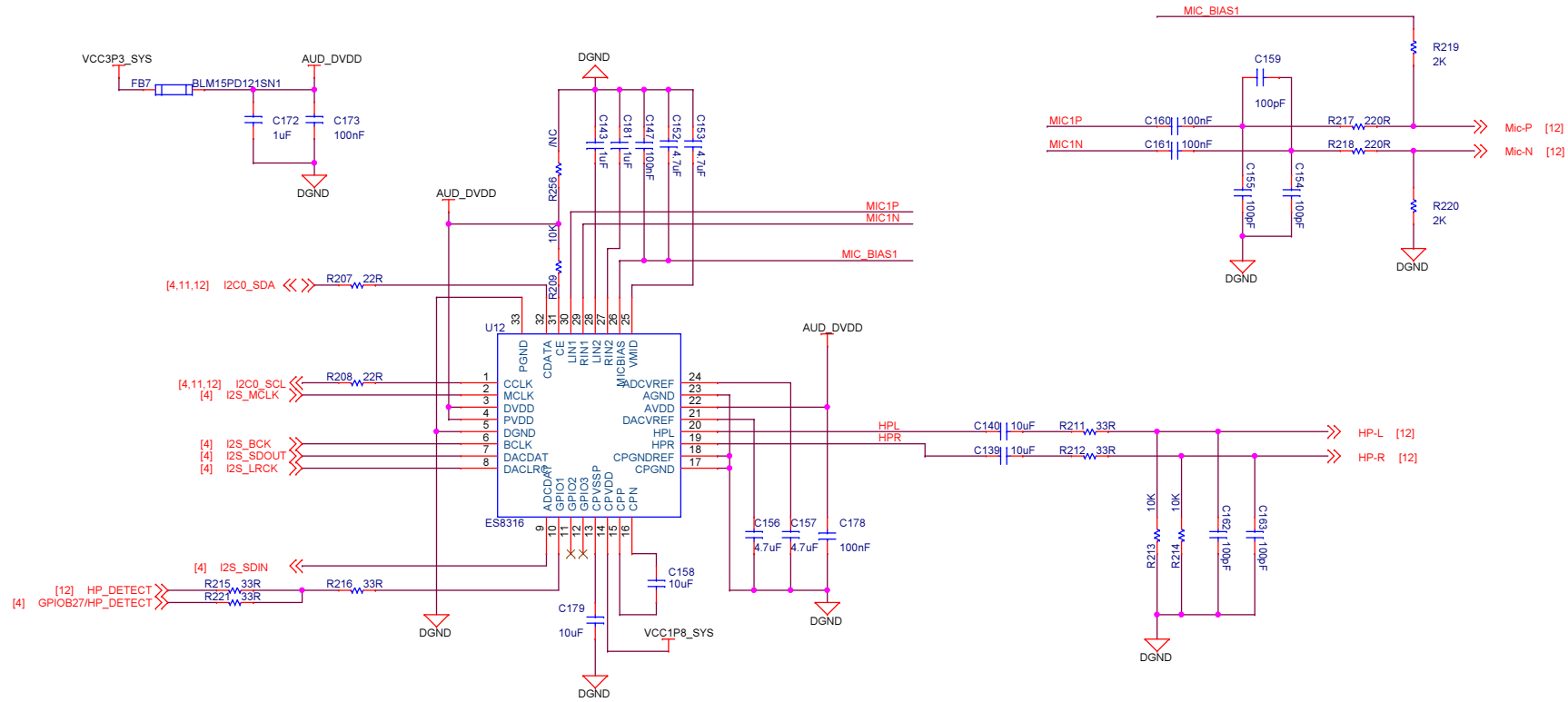
Smart4418		
Size A3	Document Number 08.eMMC	Rev 1512
Date: Monday, March 07, 2016	Sheet 8	of 12

10/100/1000M Ethernet



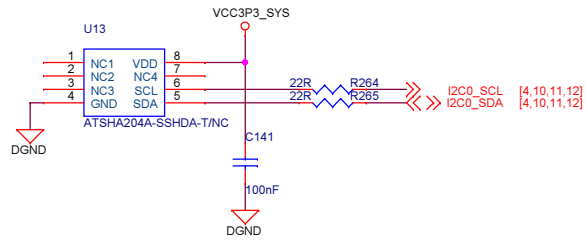
Smart4418		
Size	Document Number	Rev
A3	09.LAN.PHY	1512
Date:	Monday, March 07, 2016	Sheet 9 of 12

Audio

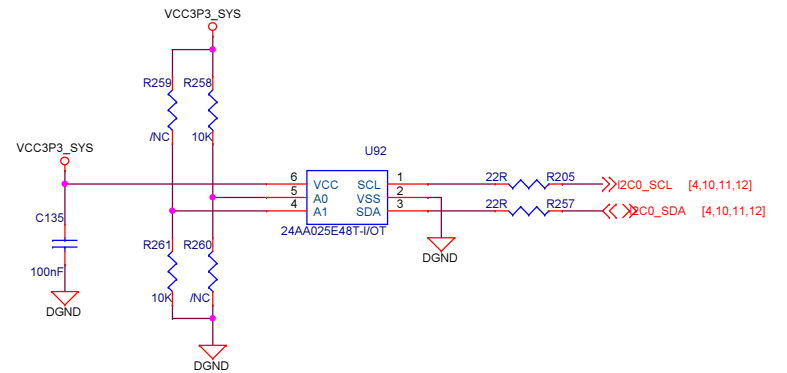


Smart4418		
Size A3	Document Number 10.Audio	Rev 1512
Date: Monday, March 07, 2016	Sheet 10	of 12

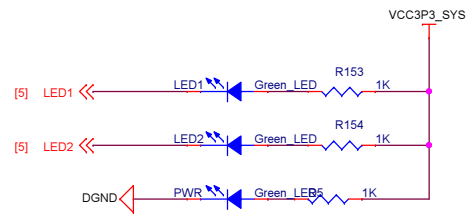
CryptoAuthentication



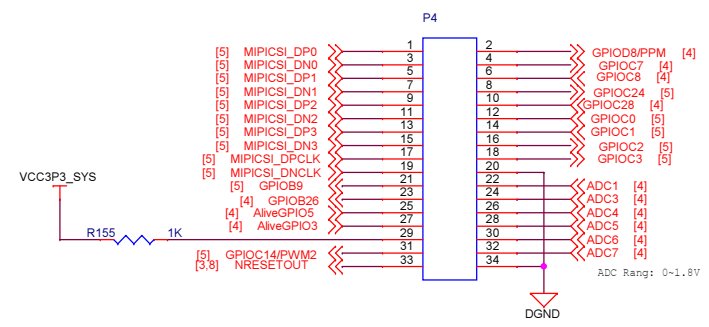
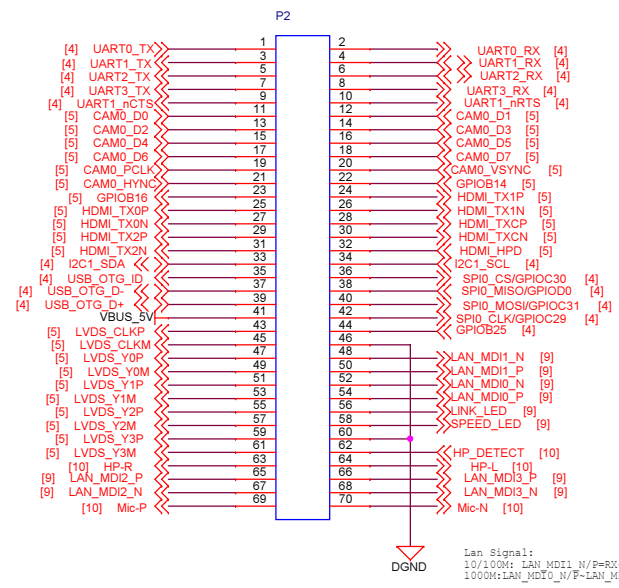
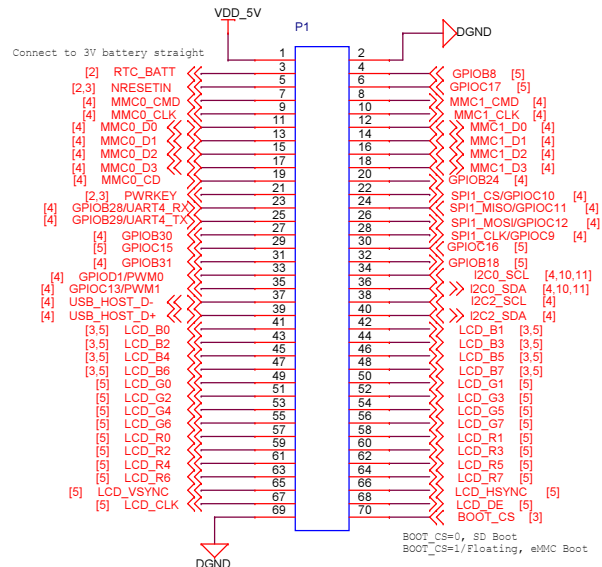
EEPROM with MAC Address



LEDs



Smart4418		
Size A3	Document Number 11.EEPROM, SHA-256	Rev 1512
Date: Monday, March 07, 2016	Sheet 11	of 12



Smart4418		
Size A3	Document Number 12.Connector	Rev 1512
Date: Monday, March 07, 2016	Sheet 12 of 12	